



US00D746418S

(12) **United States Design Patent**  
**Castrigno et al.**

(10) **Patent No.:** **US D746,418 S**  
(45) **Date of Patent:** **\*\* Dec. 29, 2015**

(54) **THREADED END PIPE FITTING**

FOREIGN PATENT DOCUMENTS

(71) Applicant: **Watts Water Technologies, Inc.**, North Andover, MA (US)

CA 1260663 A1 9/1989

(72) Inventors: **Steven Castrigno**, Manchester, NH (US); **Jeffrey A. Scilingo**, Londonderry, NH (US)

D.P. LaMarca et al., "Advancements in Plastic Pipe System Technology", 2010 IAPMO / WPC Emerging Technology Symposium—May 11-12, 2010.

(73) Assignee: **Watts Water Technologies, Inc.**, North Andover, MA (US)

\* cited by examiner

(\*\*) Term: **14 Years**

*Primary Examiner* — Kevin Rudzinski

*Assistant Examiner* — John Reickel

(21) Appl. No.: **29/453,637**

(74) *Attorney, Agent, or Firm* — Adler Pollock & Sheehan P.C.; Daniel J. Holmander, Esq.; George N. Chaclas, Esq.

(22) Filed: **May 1, 2013**

(51) **LOC (10) Cl.** ..... **23-01**

(57) **CLAIM**

(52) **U.S. Cl.**

The ornamental design for a threaded end pipe fitting, as shown and described.

USPC ..... **D23/262**

(58) **Field of Classification Search**

**DESCRIPTION**

USPC ..... D23/223, 226, 233, 259–269;  
285/86–93, 179–182

CPC ..... F16L 2201/20; F16L 2201/60; F16L 2201/10; F16L 37/133; F16L 37/0985; F16L 27/0845; F16L 43/008; B29C 66/5229

See application file for complete search history.

FIG. 1 is a perspective view of the threaded end pipe fitting according to the present disclosure.

FIG. 2 is a top view of the threaded end pipe fitting according to the present disclosure.

FIG. 3 is a bottom view of the threaded end pipe fitting according to the present disclosure.

FIG. 4 is a side view of the threaded end pipe fitting according to the present disclosure.

FIG. 5 is a side view of the threaded end pipe fitting according to the present disclosure.

FIG. 6 is an end view of the threaded end pipe fitting according to the present disclosure; and,

FIG. 7 is an end view of the threaded end pipe fitting according to the present disclosure.

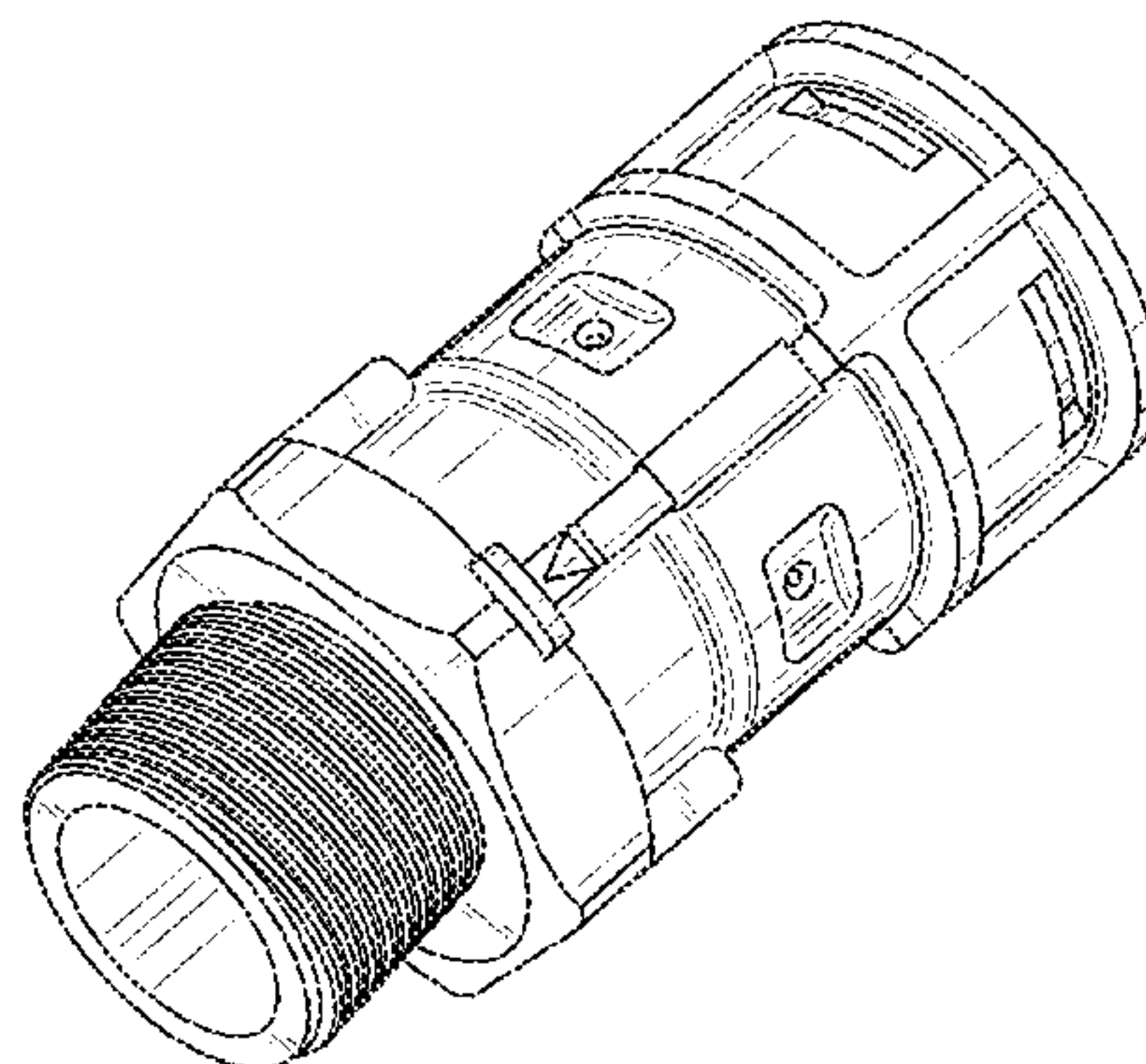
The broken line showing of interior details is included for the purpose of illustrating portions of the threaded end pipe fitting and forms no part of the claimed design.

(56) **References Cited**

U.S. PATENT DOCUMENTS

765,225	A *	7/1904	Colin	.....	285/88
D314,814	S *	2/1991	Lubeck	.....	D23/262
5,188,399	A *	2/1993	Durina	.....	285/91
D397,413	S *	8/1998	Sapp	.....	D23/262
D398,380	S *	9/1998	Bevacco	.....	D23/260
D412,738	S *	8/1999	Kuwabara	.....	D23/233
D463,537	S *	9/2002	Kozu et al.	.....	D23/262
D632,165	S *	2/2011	Daniel et al.	.....	D8/382
7,984,738	B2	7/2011	LaMarca et al.		
D709,994	S *	7/2014	King et al.	.....	D23/259
2006/0197338	A1	9/2006	Ziu et al.		
2009/0314770	A1	12/2009	LaMarca et al.		
2010/0072742	A1	3/2010	LaMarca et al.		

**1 Claim, 4 Drawing Sheets**



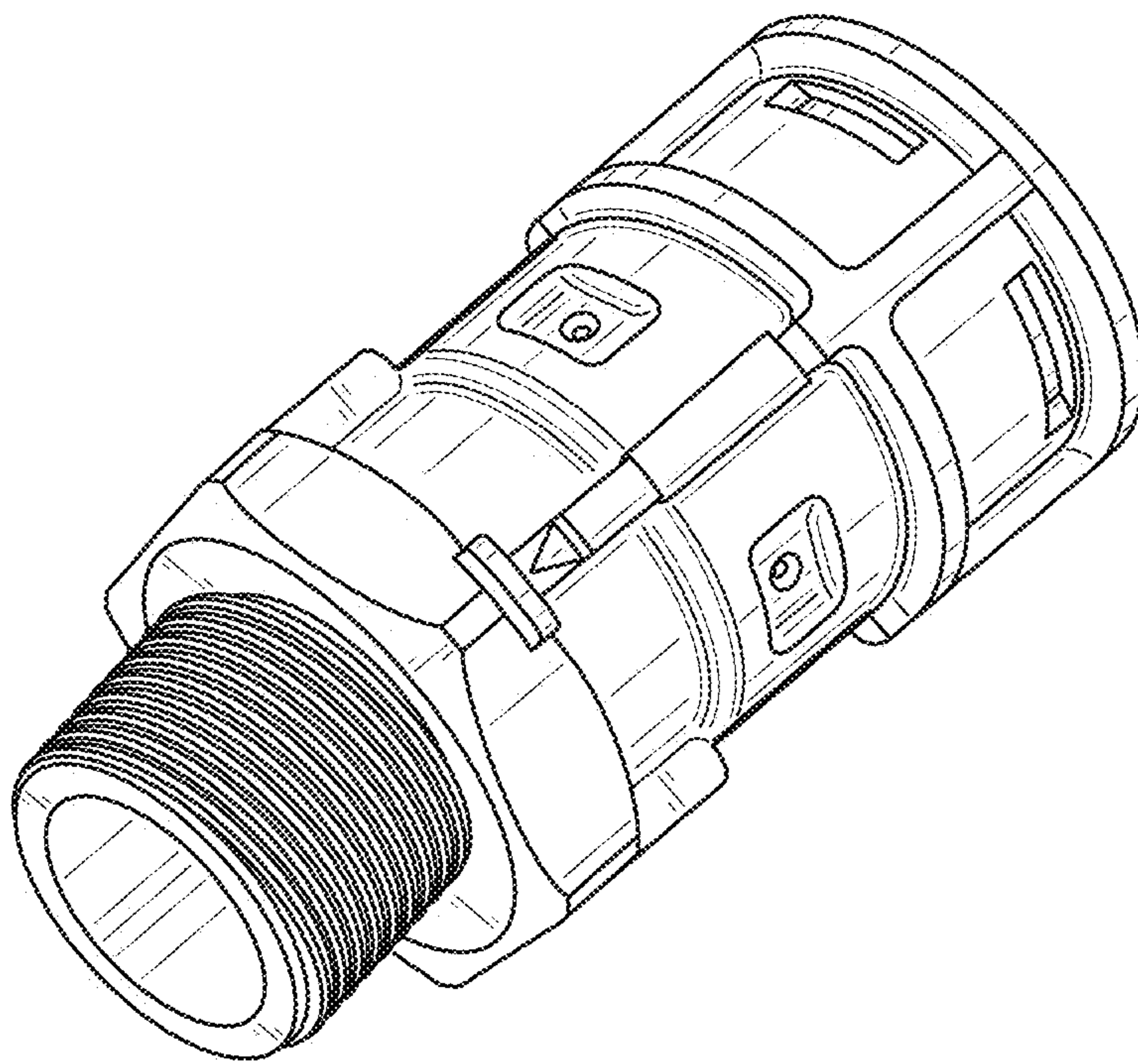


FIG. 1

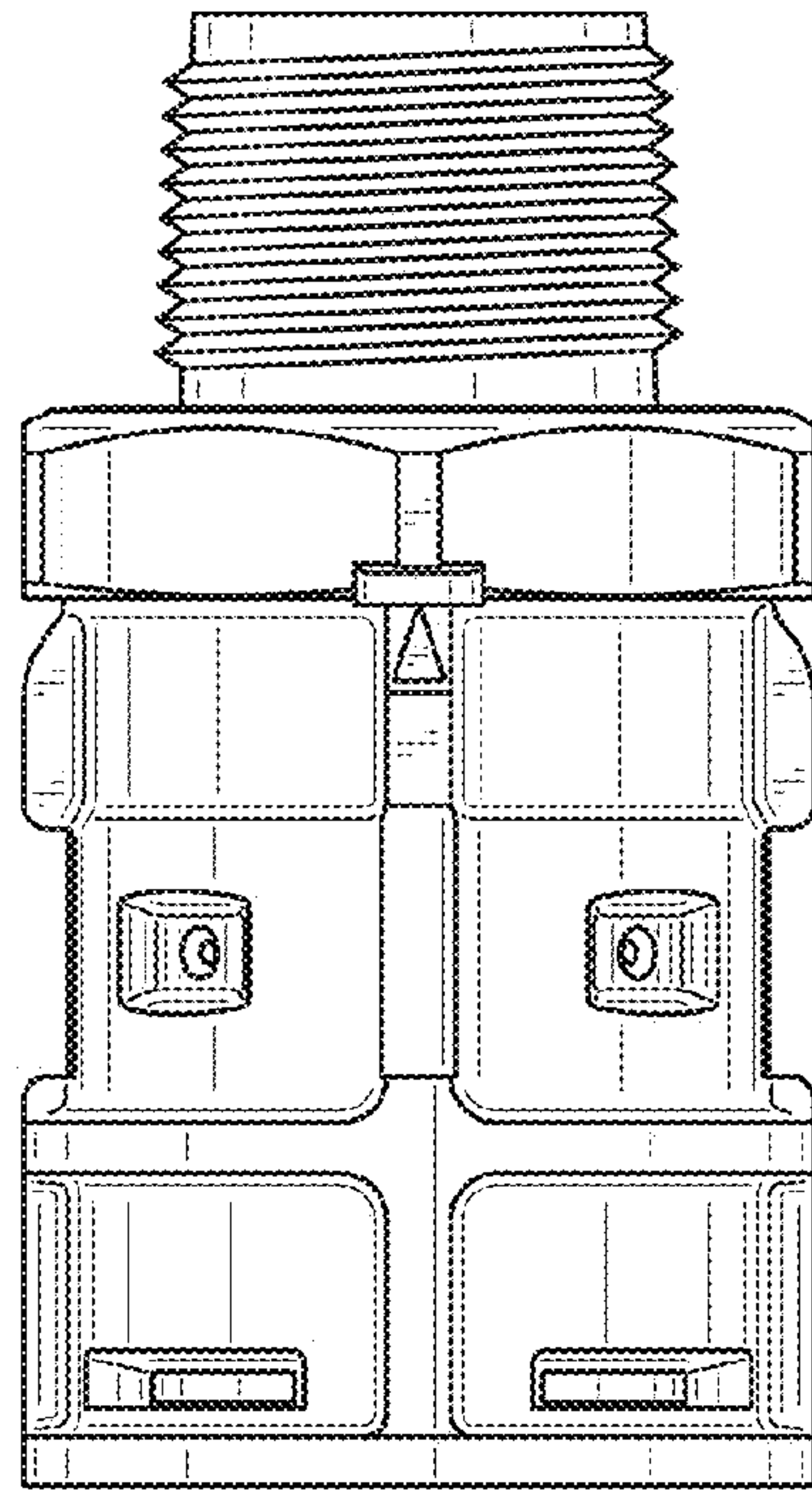


FIG. 2

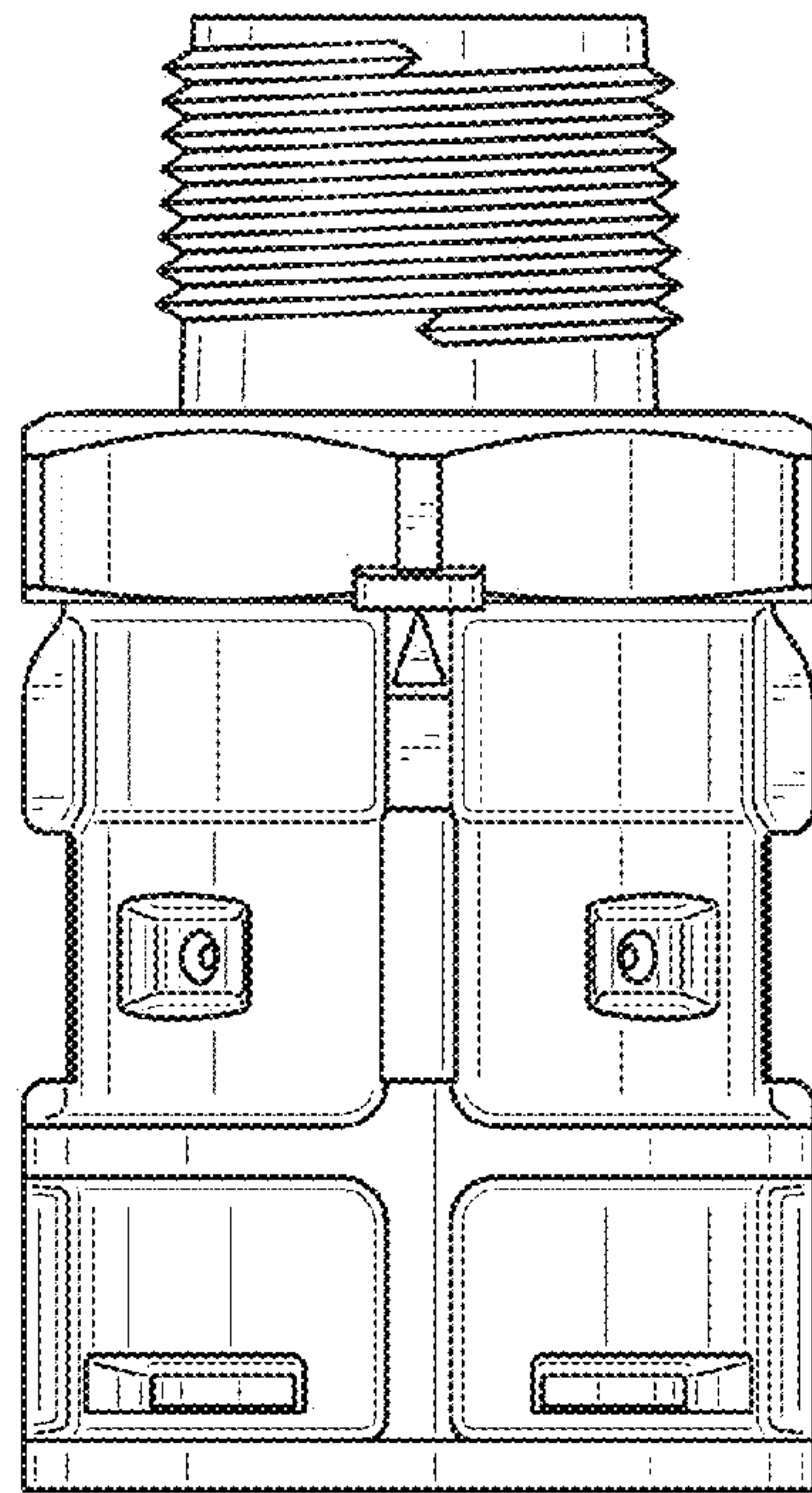


FIG. 3



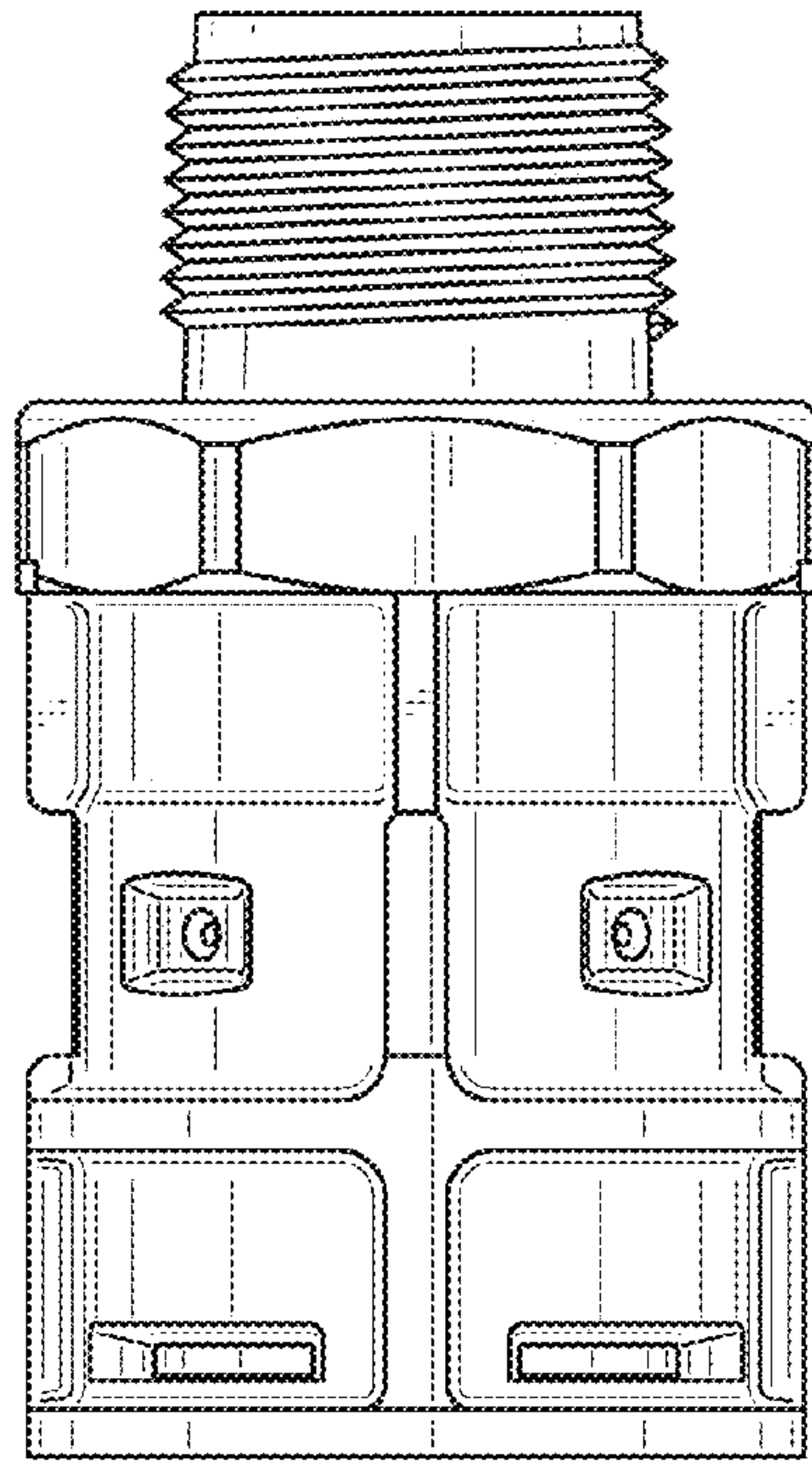


FIG. 4

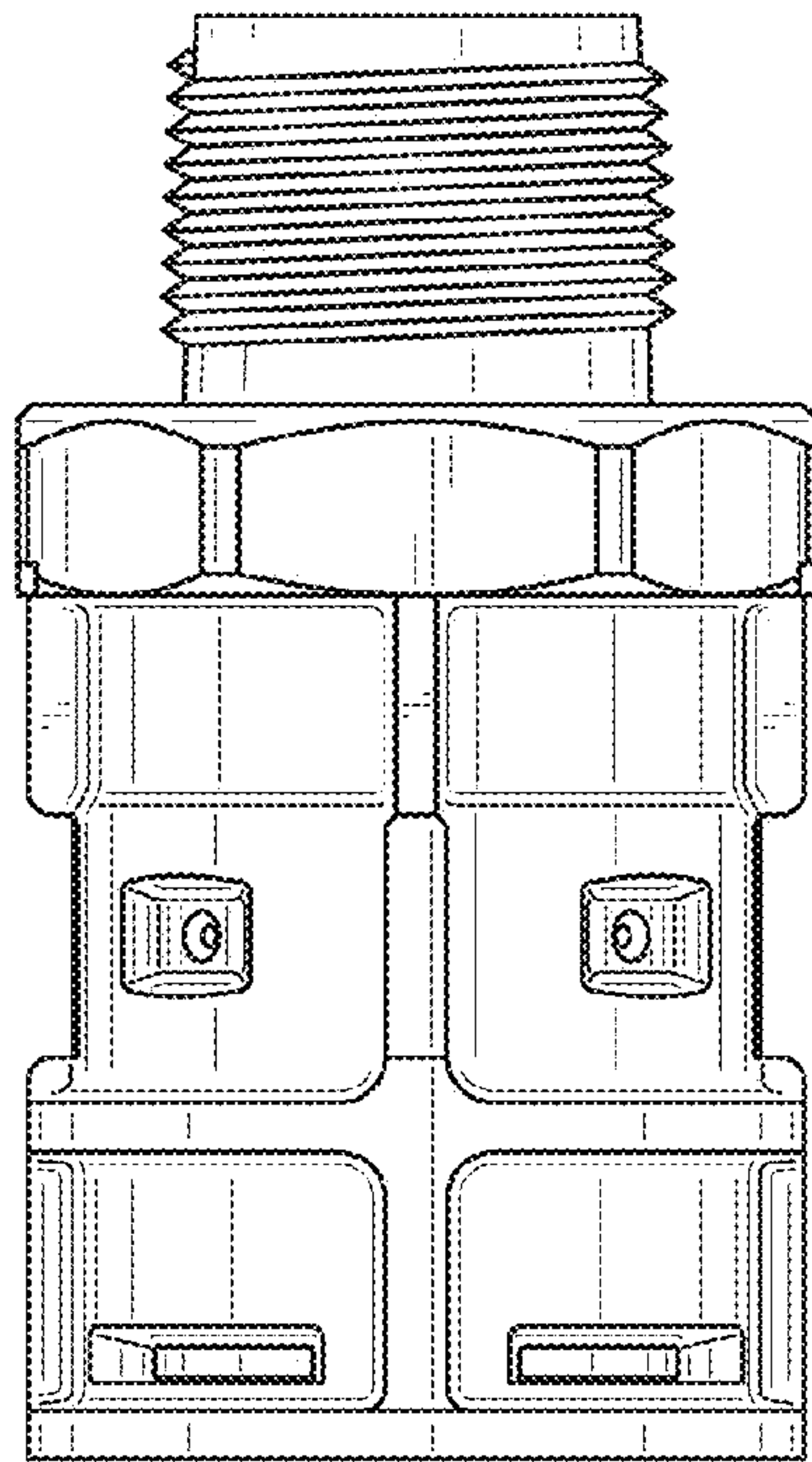


FIG. 5

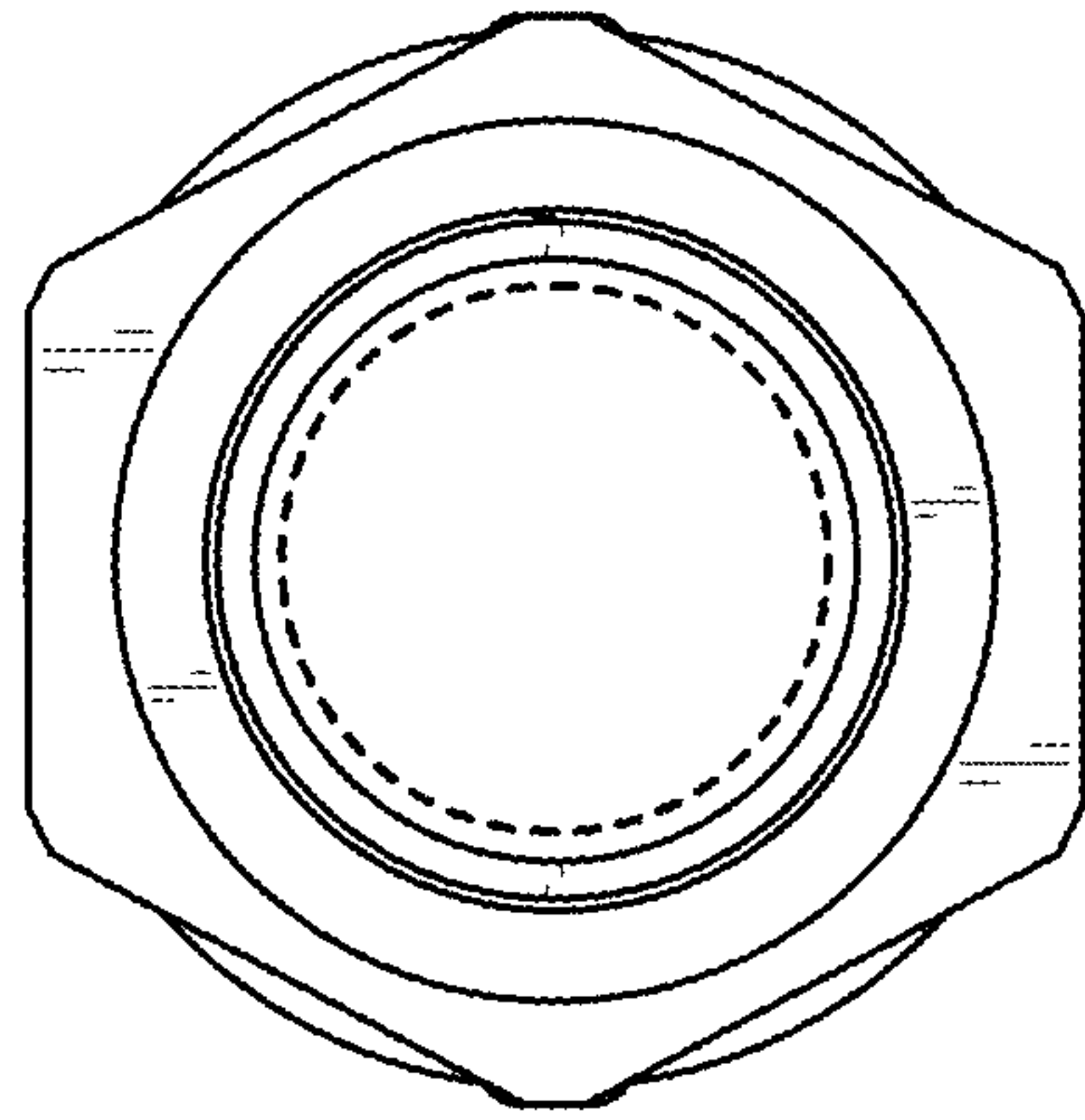


FIG. 6

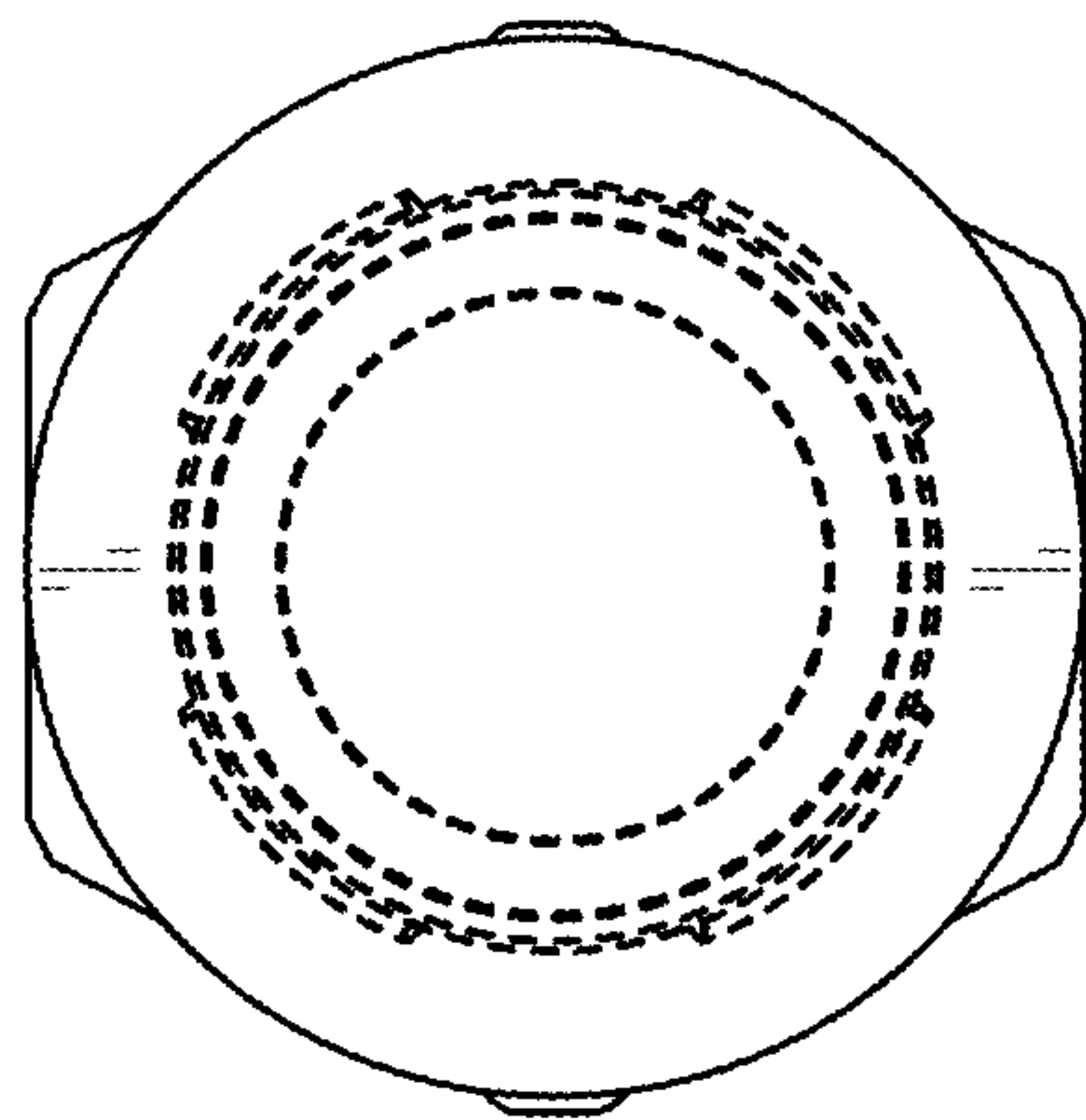


FIG. 7