



US00D746416S

(12) **United States Design Patent**  
**Bariar**

(10) **Patent No.:** **US D746,416 S**

(45) **Date of Patent:** **\*\* Dec. 29, 2015**

(54) **END-FITTING OF A CONCENTRIC-TUBE HEAT EXCHANGER**

(71) Applicant: **Penn Aluminum International LLC**,  
Murphysboro, IL (US)

(72) Inventor: **Bhaskar Bariar**, Carbondale, IL (US)

(73) Assignee: **Penn Aluminum International LLC**,  
Murphysboro, IL (US)

(\*\*) Term: **14 Years**

(21) Appl. No.: **29/465,107**

(22) Filed: **Aug. 23, 2013**

(51) **LOC (10) Cl.** ..... **23-01**

(52) **U.S. Cl.**  
USPC ..... **D23/259**

(58) **Field of Classification Search**  
USPC ..... D23/223, 226, 233, 259-269;  
285/86-93, 179-182  
CPC ..... F16L 2201/20; F16L 2201/60; F16L  
2201/10; F16L 37/133; F16L 37/0985; F16L  
27/0845; F16L 43/008; B29C 66/5229  
See application file for complete search history.

(56) **References Cited**

U.S. PATENT DOCUMENTS

1,466,592	A	8/1923	King	
1,679,545	A *	8/1928	Roth	425/380
1,731,171	A	10/1929	Miller	
1,930,285	A *	10/1933	Robinson	138/143
2,551,710	A *	5/1951	Slaughter	362/355
3,173,196	A *	3/1965	Grimm	29/890.036
3,750,709	A *	8/1973	French	138/38
3,892,273	A *	7/1975	Nelson	165/104.26
4,157,194	A	6/1979	Takahashi	
4,369,217	A *	1/1983	Leistriz	428/596
5,409,057	A *	4/1995	Zifferer	165/156
5,423,353	A *	6/1995	Sorensen	138/109
5,433,252	A *	7/1995	Wolf et al.	138/113
5,931,184	A	8/1999	Armenia et al.	
6,098,704	A *	8/2000	Tsuchiya et al.	165/154

6,116,290	A *	9/2000	Ohrn et al.	138/149
7,086,668	B2	8/2006	Takasaki et al.	
D574,932	S *	8/2008	Zhuang	D23/266
D615,165	S *	5/2010	McAlpine et al.	D23/262
D676,943	S *	2/2013	Kluss et al.	D23/262
2003/0218332	A1	11/2003	Takasaki et al.	
2004/0261450	A1 *	12/2004	Yoshino et al.	62/513
2006/0005387	A1 *	1/2006	Tase et al.	29/890.052
2008/0026174	A1 *	1/2008	Yamasaki et al.	428/36.5
2009/0166019	A1 *	7/2009	Tokizaki et al.	165/181
2010/0264643	A1	10/2010	Royston et al.	

\* cited by examiner

*Primary Examiner* — Kevin Rudzinski

*Assistant Examiner* — John Reickel

(74) *Attorney, Agent, or Firm* — Thompson Coburn LLP

(57) **CLAIM**

The ornamental design for an end-fitting of a concentric-tube heat exchanger, as shown and described.

**DESCRIPTION**

FIG. 1 is a left side view of the end-fitting of a concentric-tube heat exchanger design.

FIG. 2 is a cross-section view of the end-fitting of a concentric-tube heat exchanger design, taken about the line 2-2 shown in FIG. 1.

FIG. 3 is a perspective view of the end-fitting of a concentric-tube heat exchanger design.

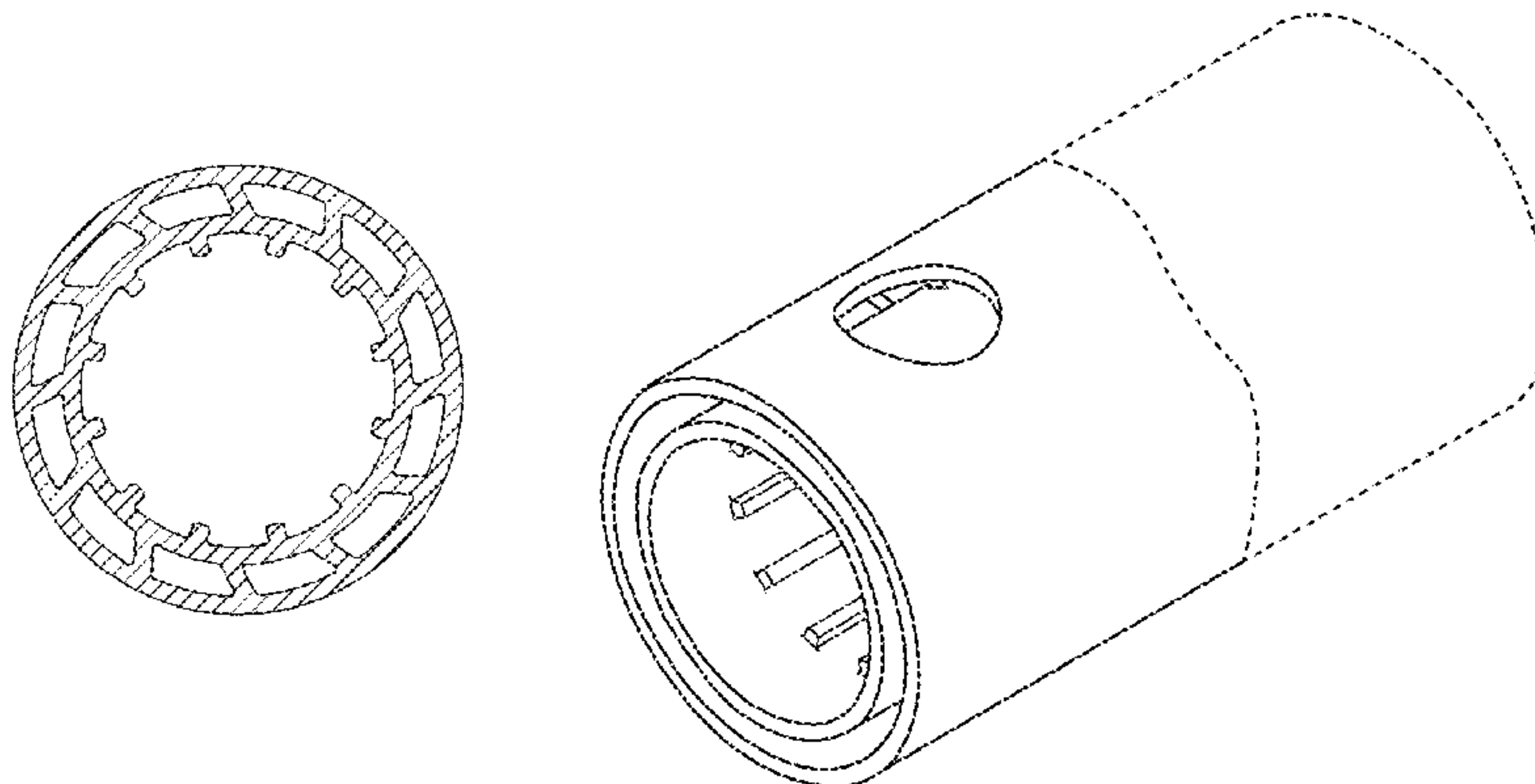
FIG. 4 is a front view of the end-fitting of a concentric-tube heat exchanger design.

FIG. 5 is a cross-section view of the end-fitting of a concentric-tube heat exchanger design, taken about the line 5-5 shown in FIG. 4; and,

FIG. 6 is a cross-section view of the end-fitting of a concentric-tube heat exchanger design, taken about the line 6-6 shown in FIG. 4.

The dashed lines in the drawing figures represent the environment and do not constitute part of the claimed design. The ribs and cooling fins of the end-fitting of a concentric-tube heat exchanger design are axisymmetric.

**1 Claim, 2 Drawing Sheets**



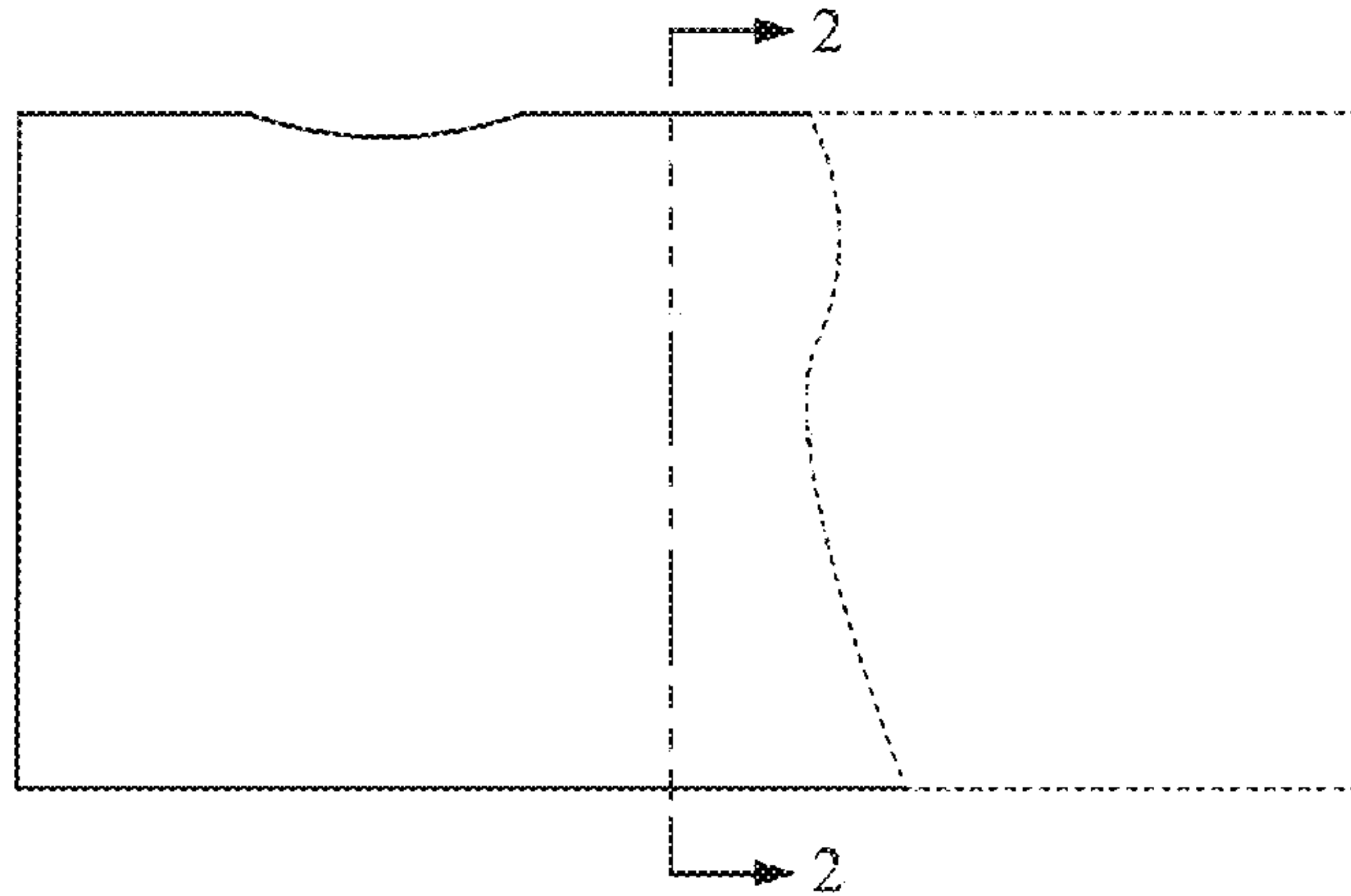


FIG. 1

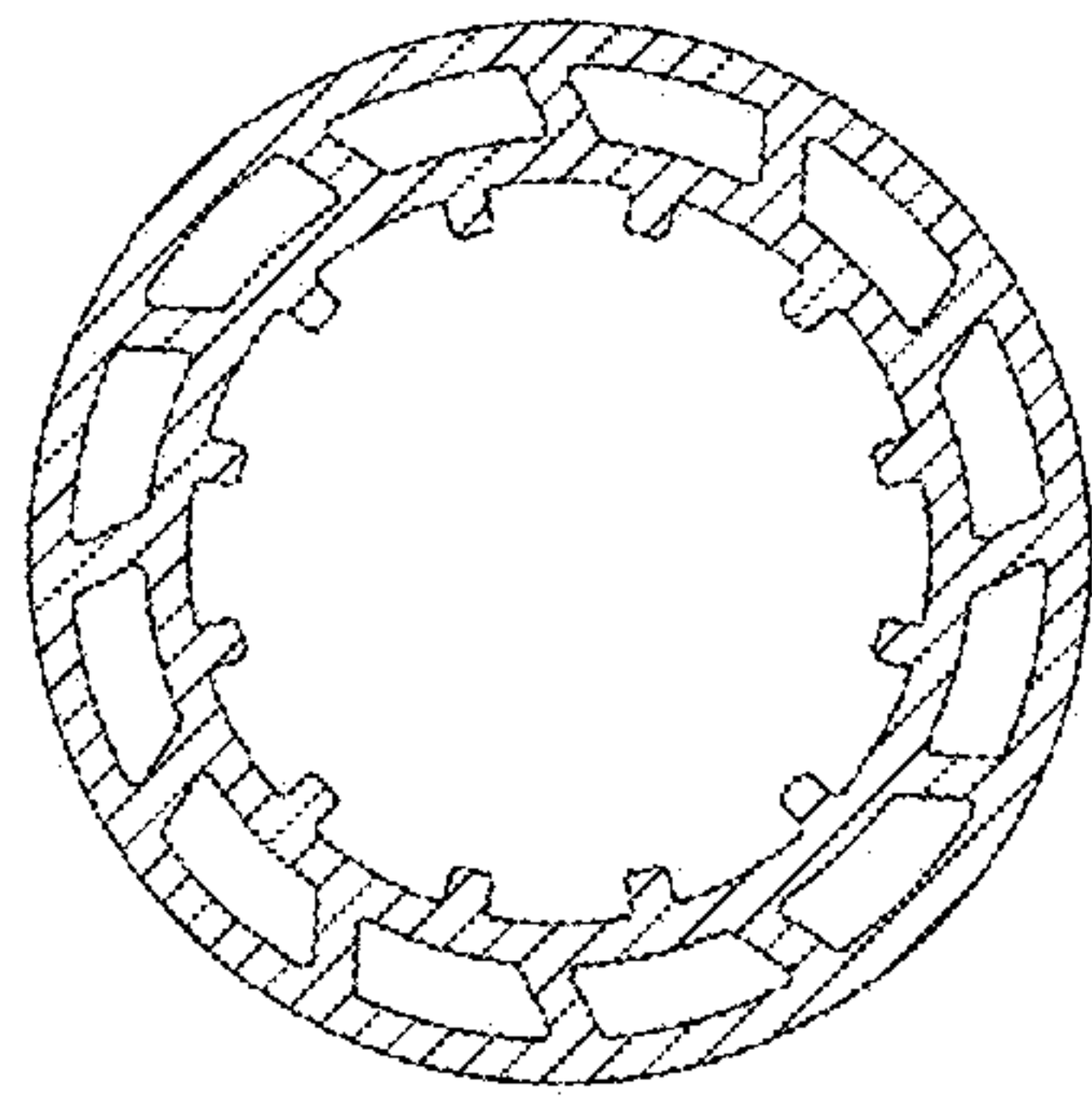


FIG. 2

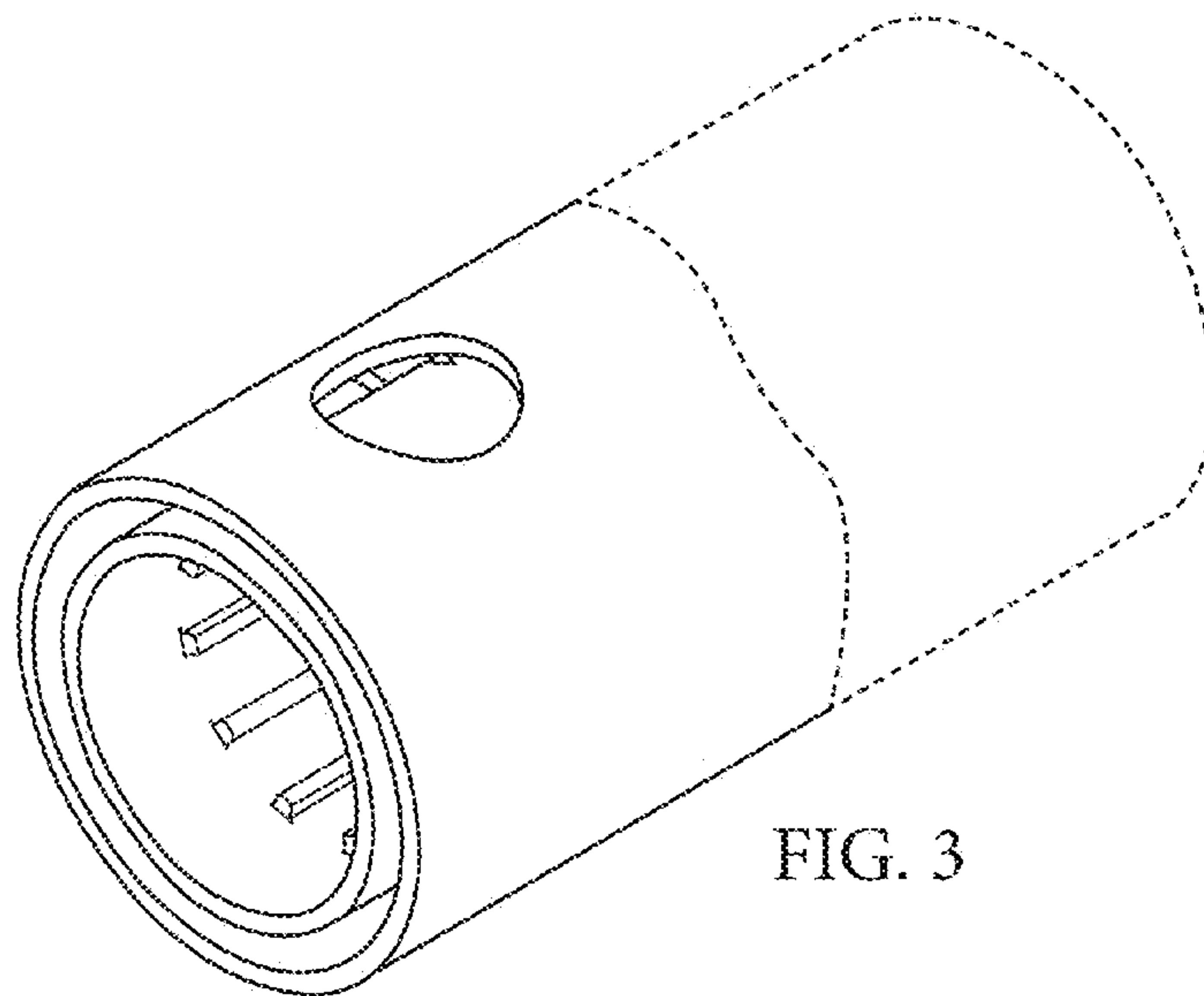


FIG. 3

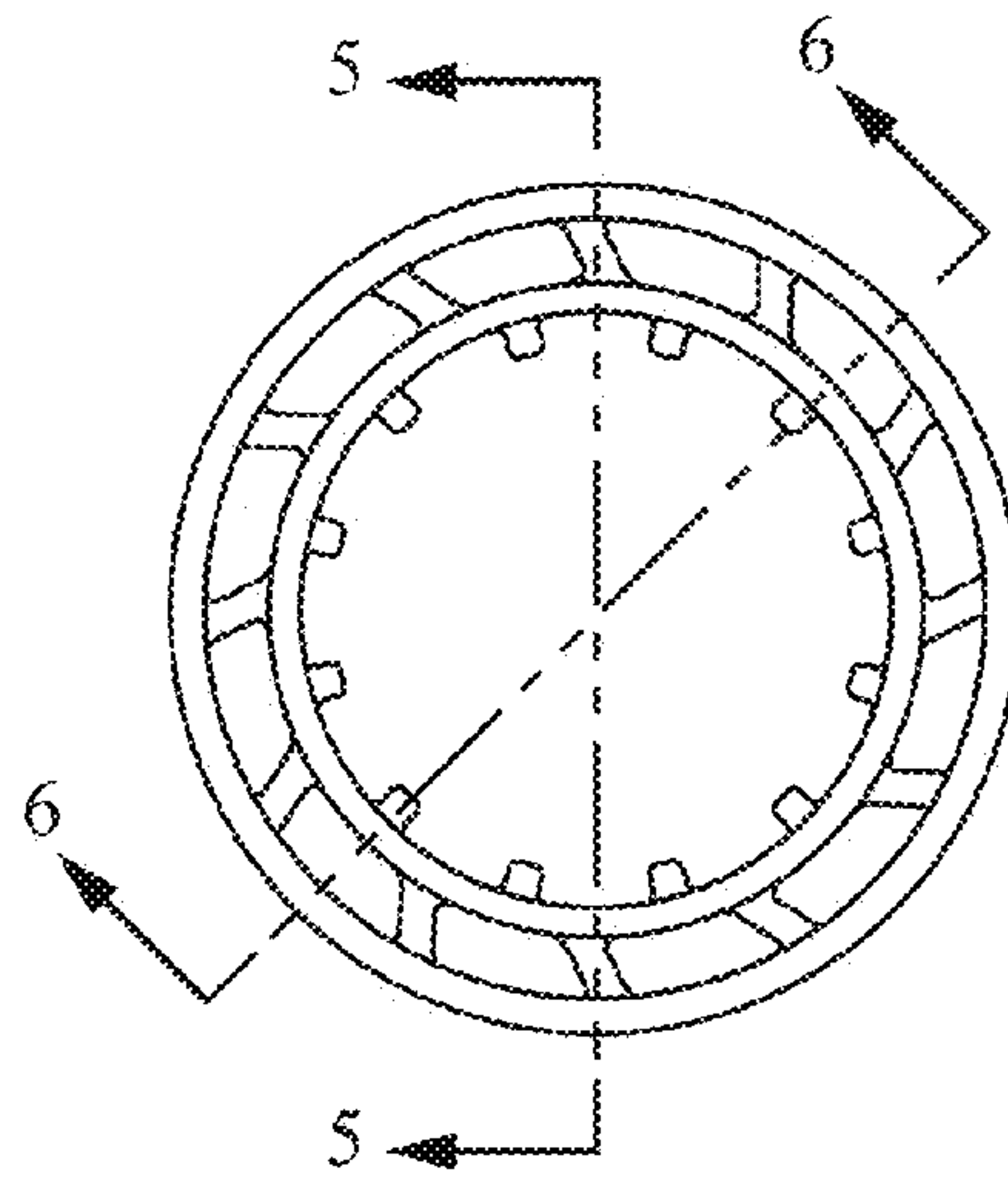


FIG. 4

FIG. 5

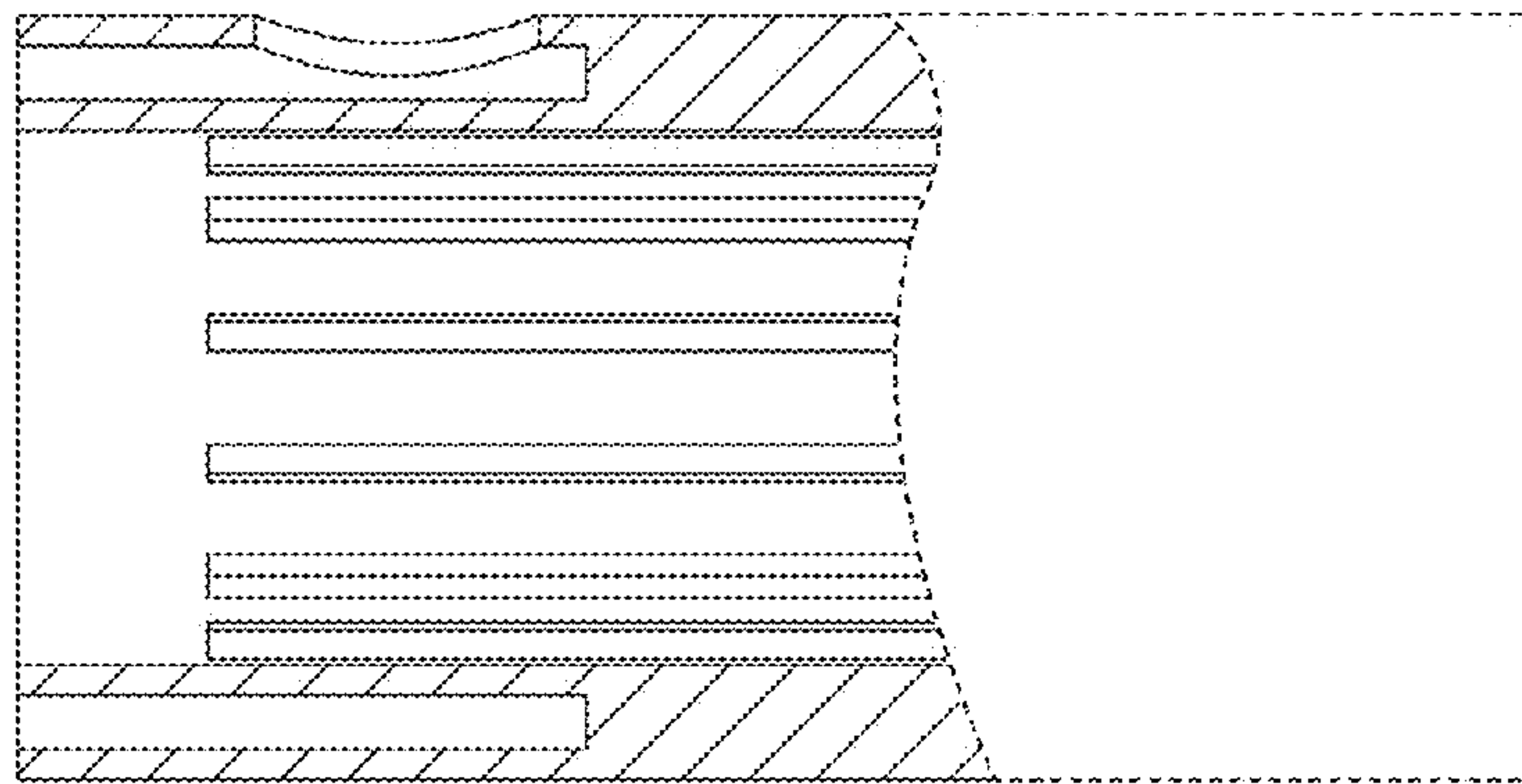


FIG. 6

