



US00D746415S

(12) **United States Design Patent**
Lehmann

(10) **Patent No.:** **US D746,415 S**

(45) **Date of Patent:** **** Dec. 29, 2015**

(54) **CONNECTOR**

(71) Applicant: **Fiskars Oyj Abp**, Helsinki (FI)

(72) Inventor: **Charles A. Lehmann**, Metamora, IL (US)

(73) Assignee: **Fiskars Oyj Abp**, Helsinki (FI)

(**) Term: **14 Years**

(21) Appl. No.: **29/453,323**

(22) Filed: **Apr. 26, 2013**

(51) **LOC (10) Cl.** **23-01**

(52) **U.S. Cl.**
USPC **D23/259**

(58) **Field of Classification Search**
USPC D23/233, 259–269; 285/86–93, 285/179–182
CPC F16L 2201/20; F16L 2201/60; F16L 2201/10; F16L 37/133; F16L 37/0985; F16L 27/0845; F16L 43/008; B29C 66/5229
See application file for complete search history.

(56) **References Cited**

U.S. PATENT DOCUMENTS

2,165,163	A *	7/1939	Waters	285/91
3,162,470	A *	12/1964	Owens et al.	285/86
4,645,281	A *	2/1987	Burger	439/133
4,688,833	A *	8/1987	Todd	285/148.14
4,708,370	A *	11/1987	Todd	285/12
6,557,900	B1 *	5/2003	Austin	285/92
D496,094	S *	9/2004	Stevens	D23/262
D554,067	S *	10/2007	Phung et al.	D13/151

D592,288	S *	5/2009	Price et al.	D23/259
7,681,925	B2 *	3/2010	Lambert et al.	285/316
D634,406	S *	3/2011	Klimas	D23/262
2010/0022951	A1 *	1/2010	Ferrera et al.	604/103

* cited by examiner

Primary Examiner — Kevin Rudzinski

Assistant Examiner — John Reickel

(74) *Attorney, Agent, or Firm* — Foley & Lardner LLP

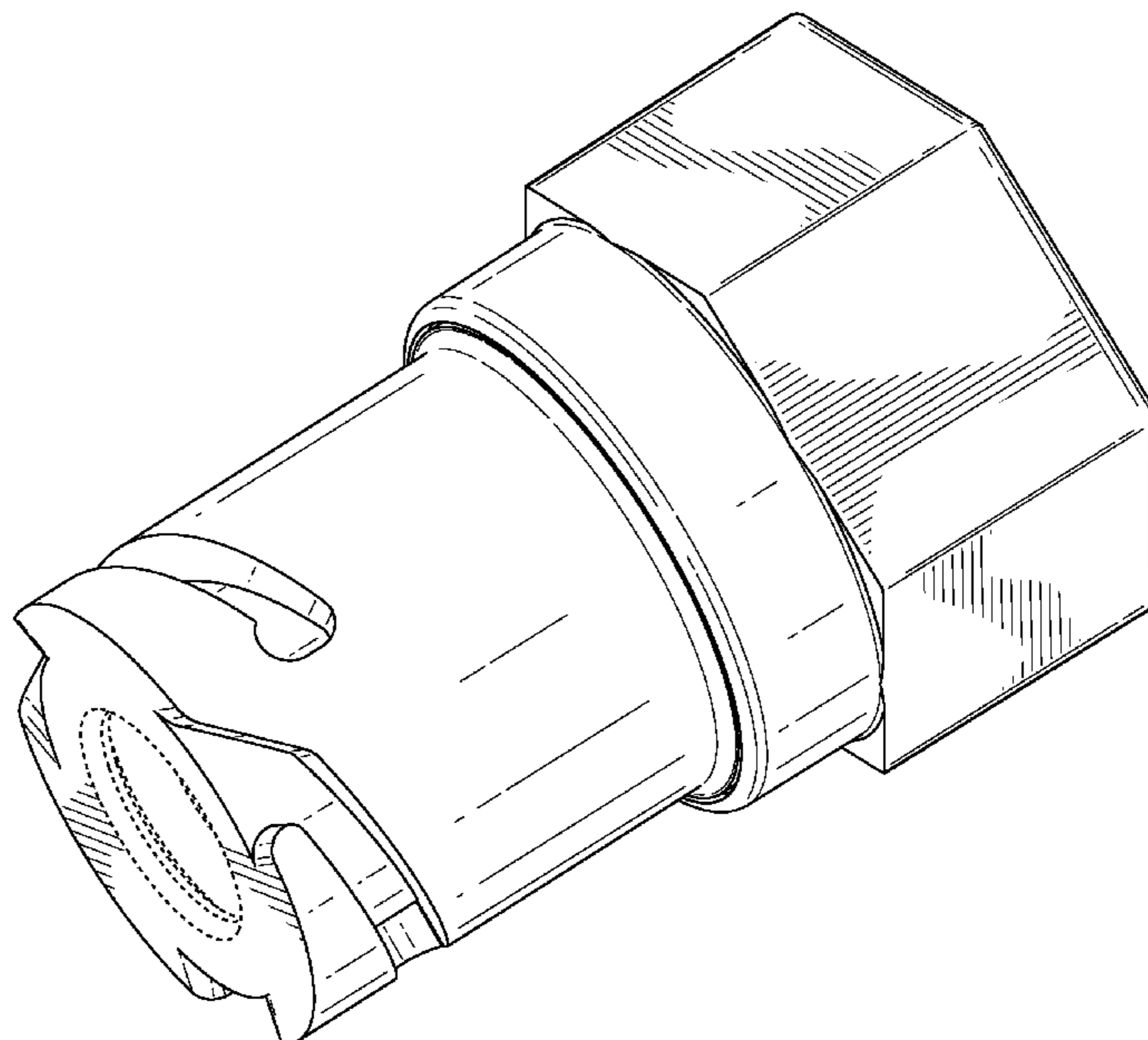
(57) **CLAIM**

The ornamental design for a connector, as shown and described.

DESCRIPTION

FIG. 1 is a perspective view of a first embodiment of a connector showing my new design;
FIG. 2 is a front elevational view showing the design for the connector of FIG. 1;
FIG. 3 is a rear elevational view showing the design for the connector of FIG. 1;
FIG. 4 is a top side elevational view showing the design for the connector of FIG. 1;
FIG. 5 is a right side elevational view showing the design for the connector of FIG. 1;
FIG. 6 is a left plan view showing the design for the connector of FIG. 1; and,
FIG. 7 is a bottom plan view showing the design for the connector of FIG. 1.
The broken line showing is included for the purpose of illustrating portions of the connector and forms no part of the claimed design.

1 Claim, 6 Drawing Sheets



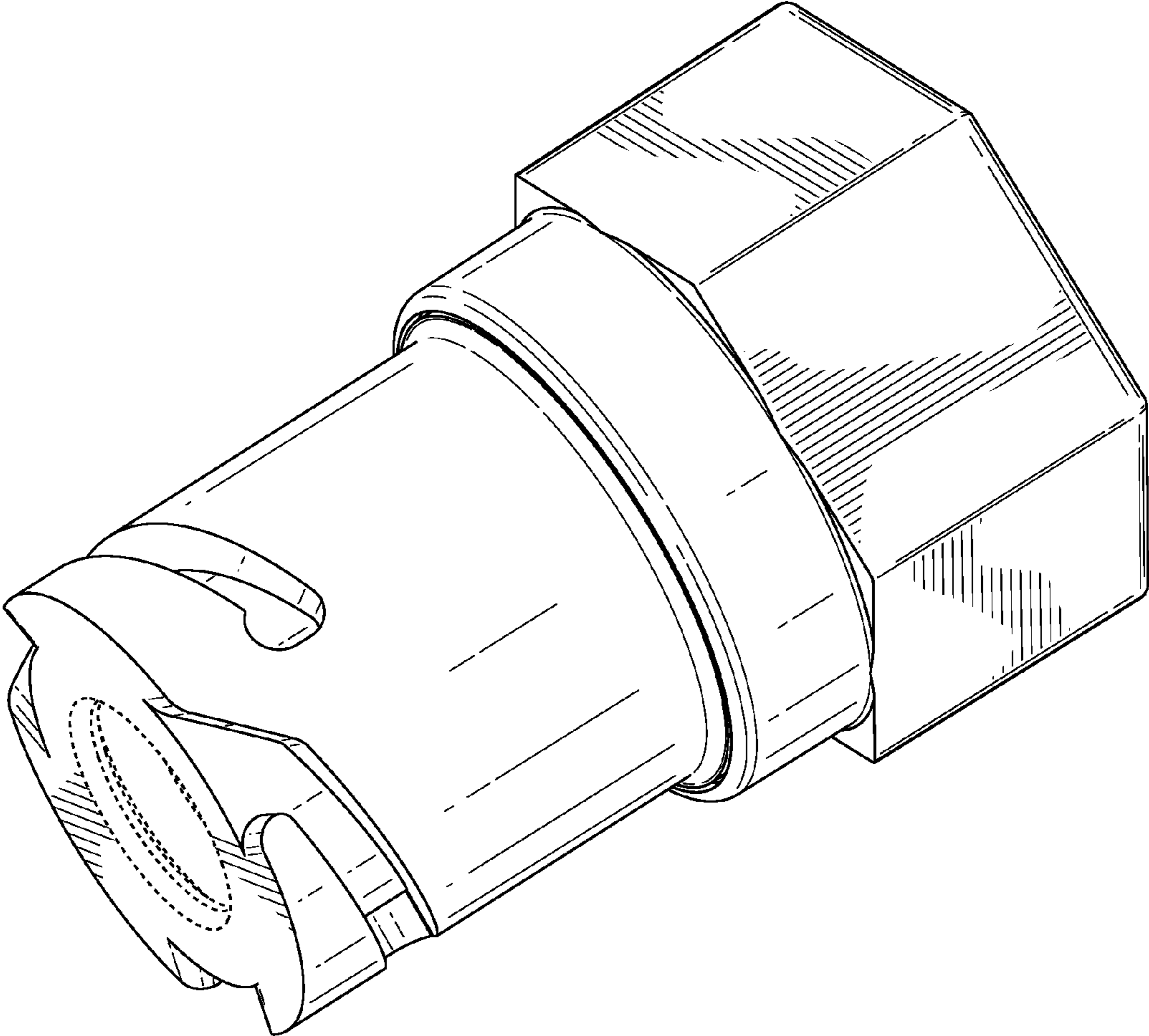


FIG. 1

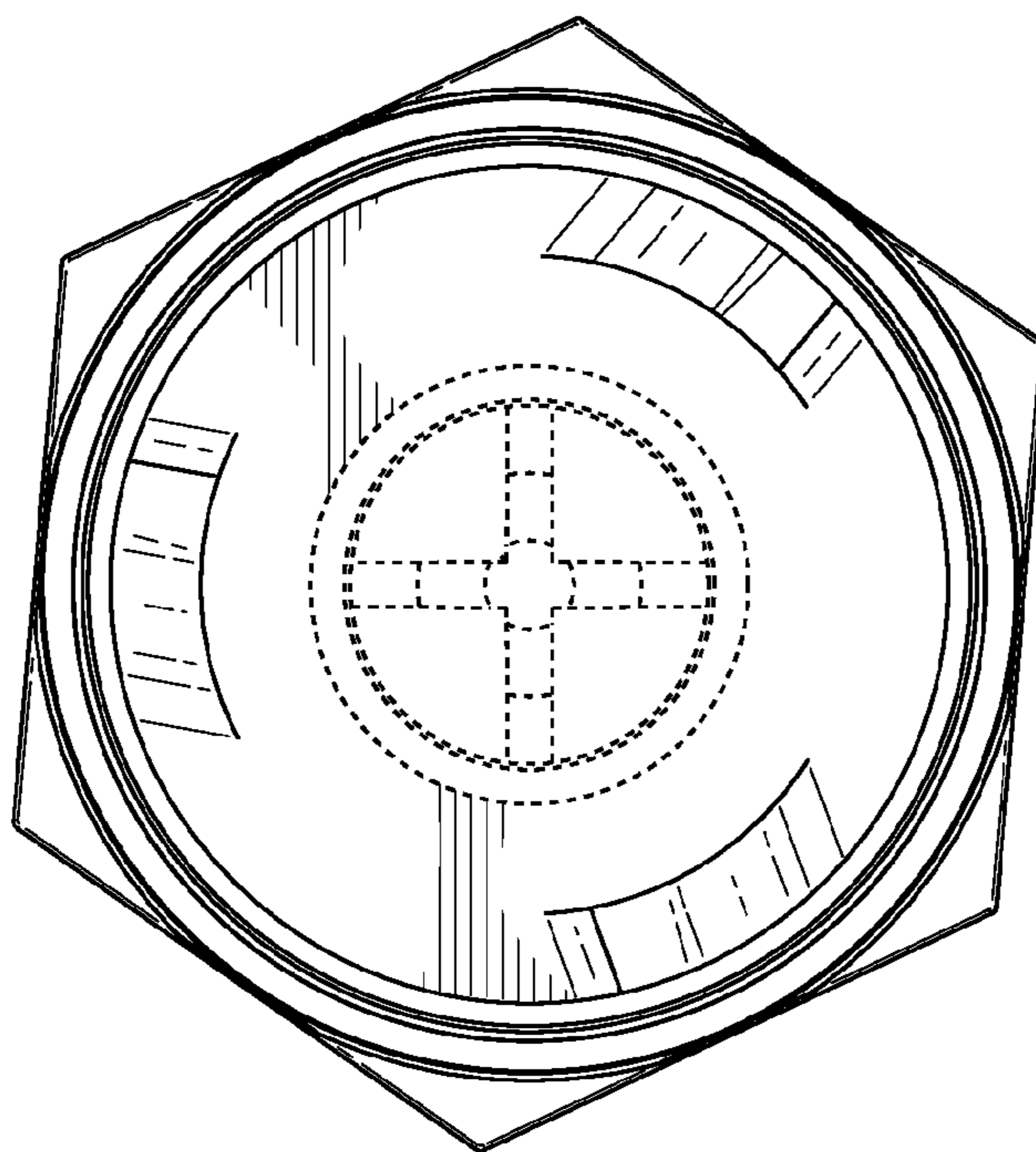


FIG. 2

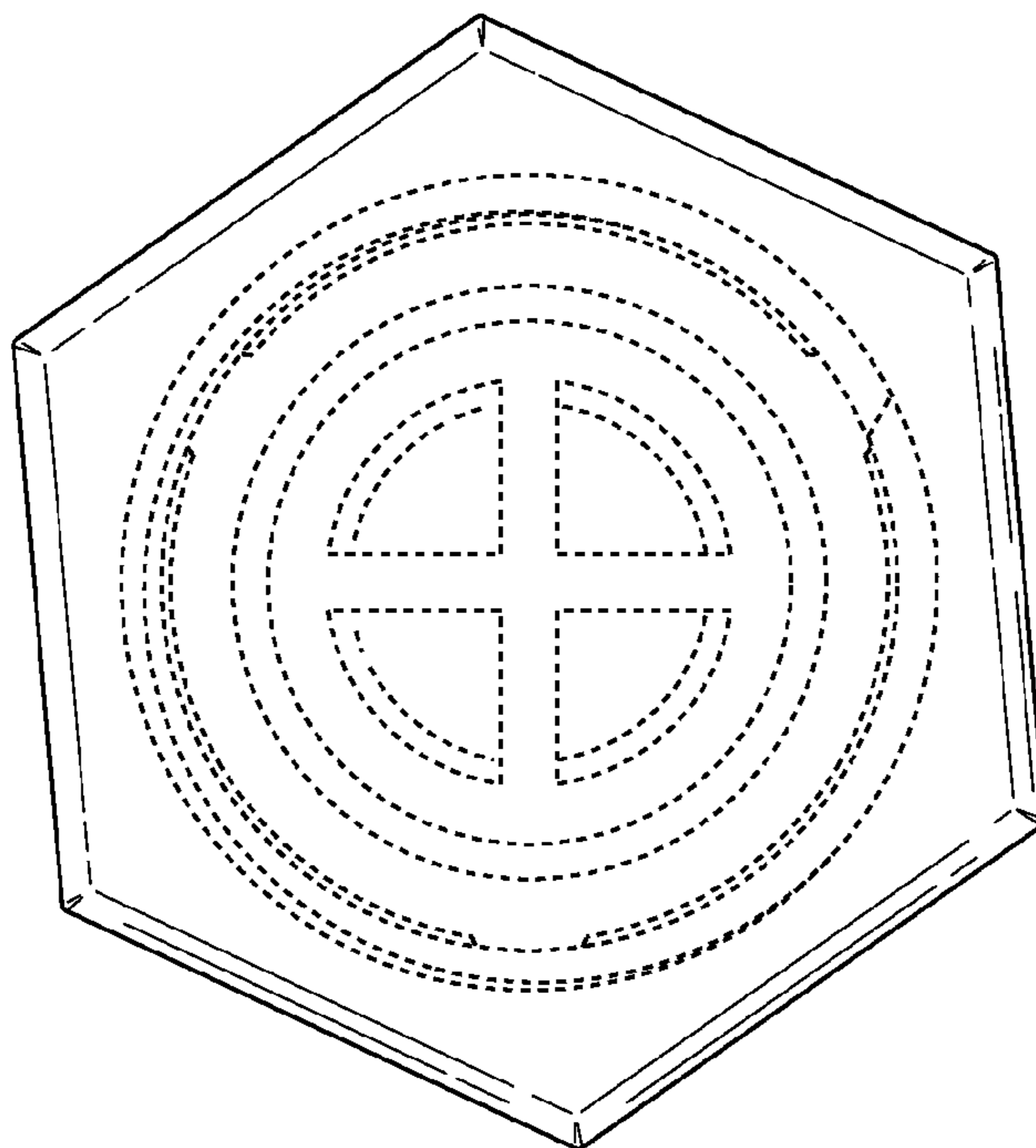


FIG. 3

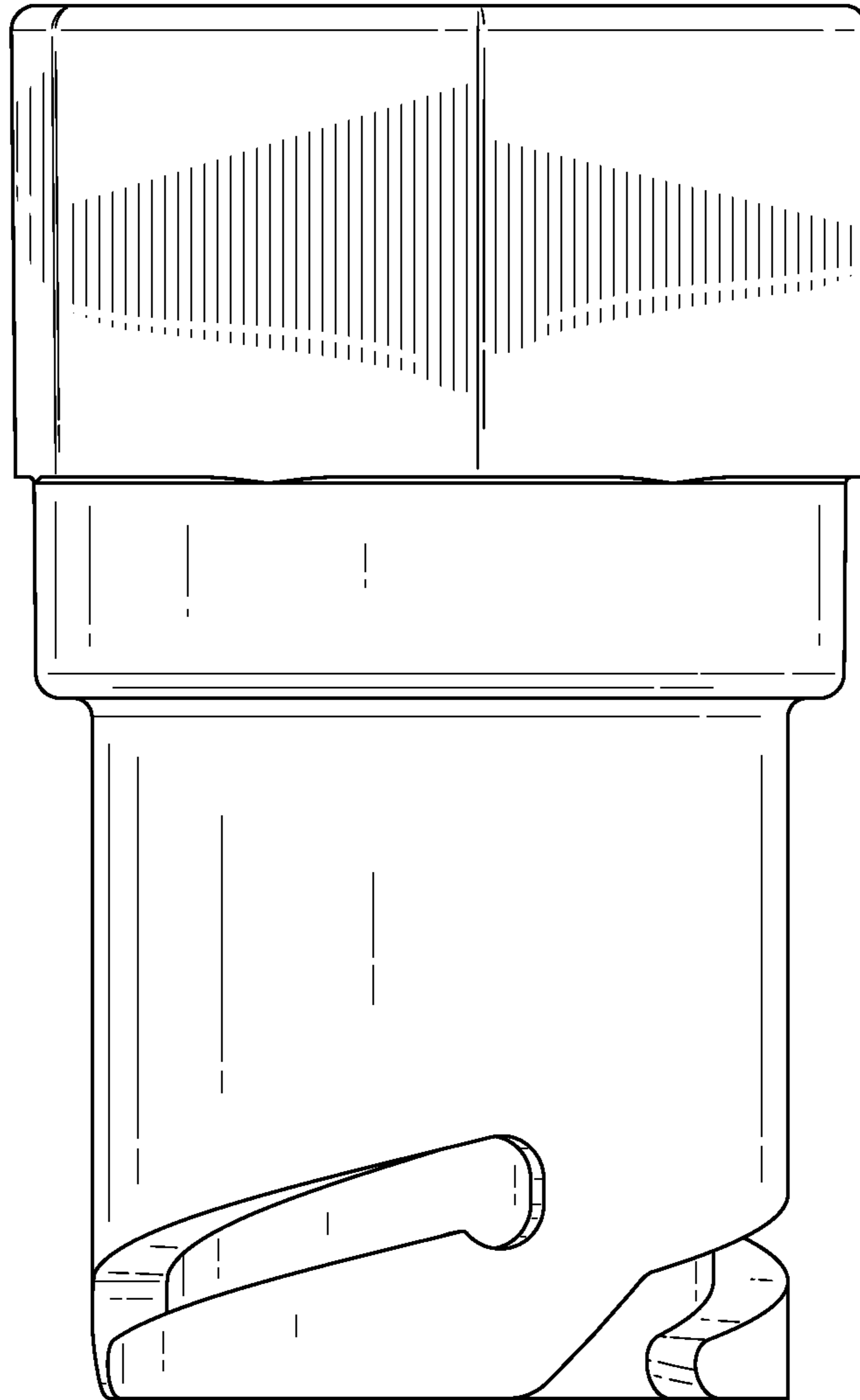


FIG. 4

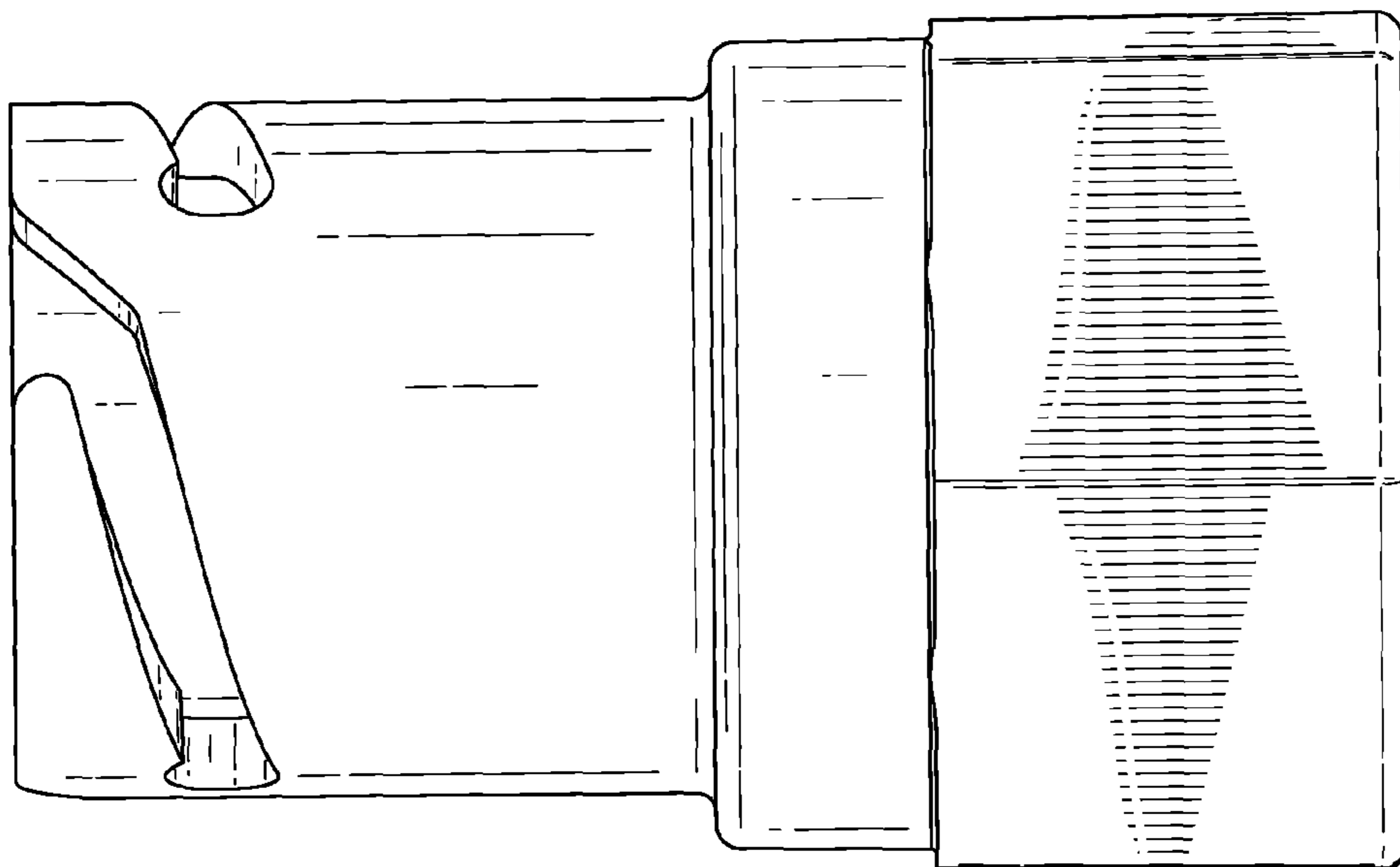


FIG. 5

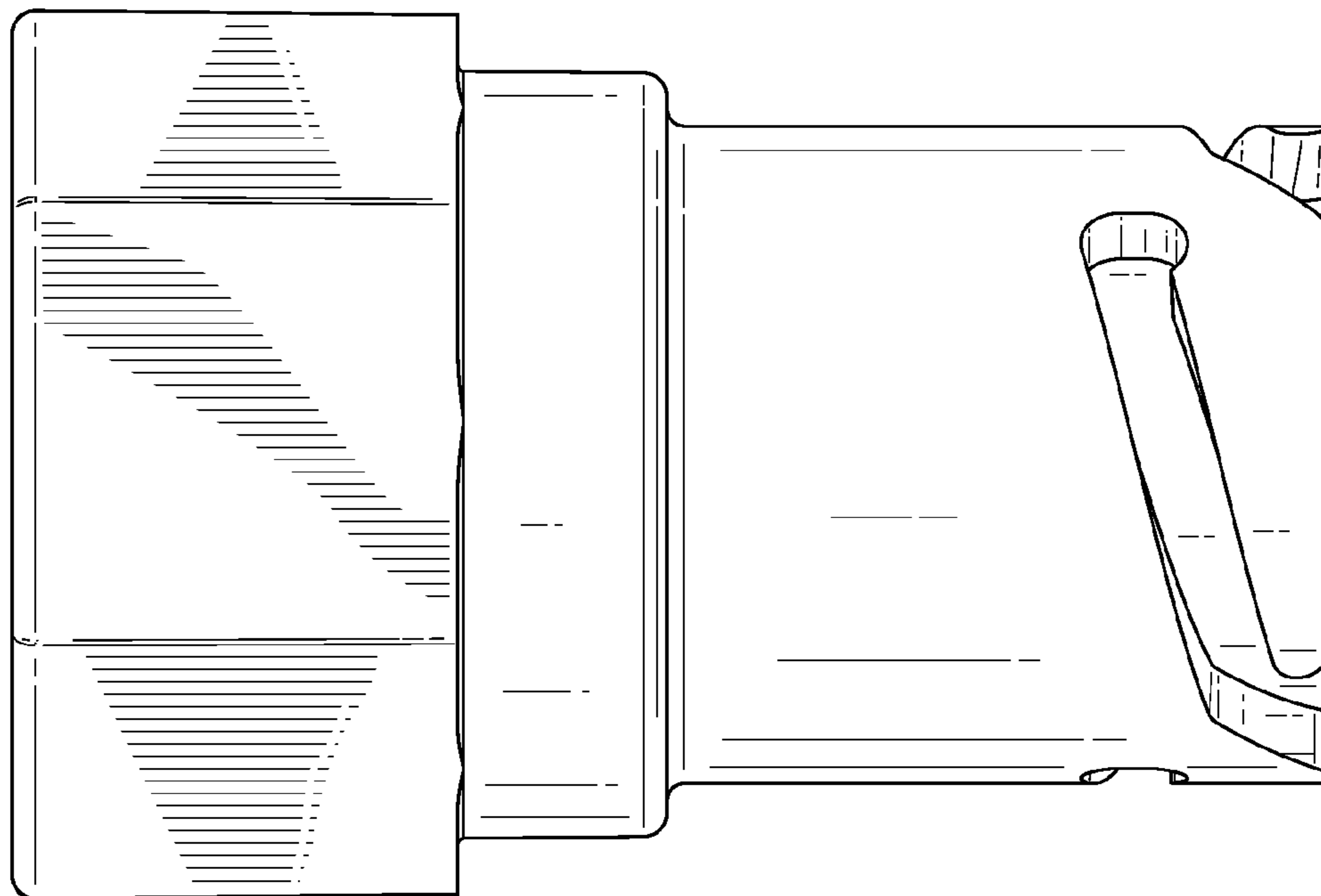


FIG. 6

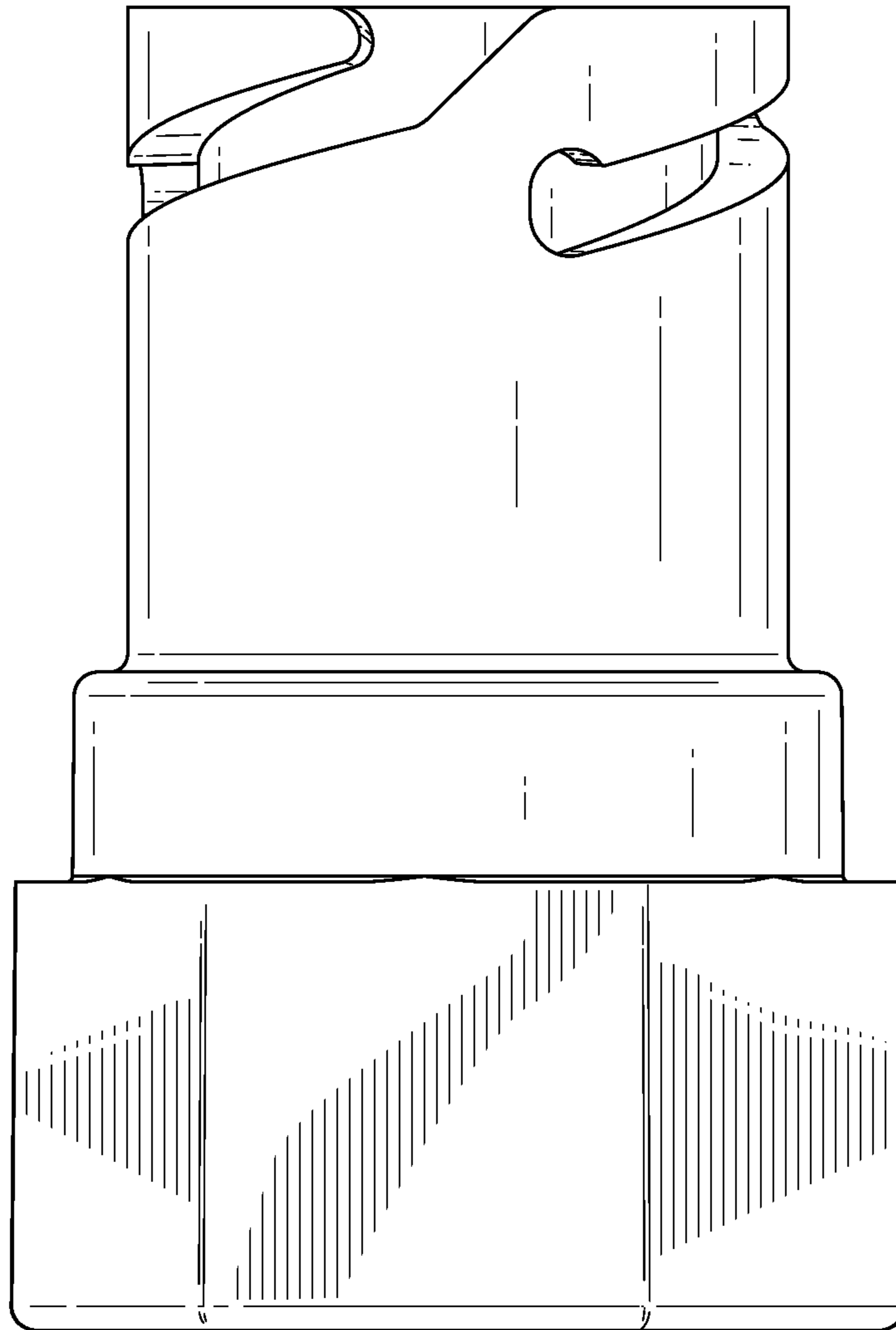


FIG. 7