



US00D746411S

(12) **United States Design Patent**  
**Aoki et al.**

(10) **Patent No.:** **US D746,411 S**  
(45) **Date of Patent:** **\*\* Dec. 29, 2015**

(54) **VALVE ELEMENT FOR ROTARY VALVE**

(56) **References Cited**

(71) Applicant: **KITZ CORPORATION**, Chiba (JP)

U.S. PATENT DOCUMENTS

(72) Inventors: **Kazuhiro Aoki**, Nagano (JP); **Hiroki Ohno**, Nagano (JP)

5,316,042	A *	5/1994	Lim et al. ....	137/625.11
5,361,739	A *	11/1994	Coates .....	123/190.14
2006/0131445	A1 *	6/2006	Petrovic et al. ....	239/443
2009/0223657	A1 *	9/2009	Hollis .....	165/287
2012/0181466	A1 *	7/2012	Gamache et al. ....	251/231

(73) Assignee: **KITZ CORPORATION**, Chiba (JP)

\* cited by examiner

(\*\*) Term: **14 Years**

*Primary Examiner* — Cynthia Ramirez

(21) Appl. No.: **29/507,052**

*Assistant Examiner* — Gino Colan

(22) Filed: **Oct. 23, 2014**

(74) *Attorney, Agent, or Firm* — Wenderoth, Lind & Ponack, L.L.P.

(30) **Foreign Application Priority Data**

(57) **CLAIM**

The ornamental design for a valve element for rotary valve, as shown and described.

Apr. 24, 2014 (JP) ..... 2014-9039

**DESCRIPTION**

(51) **LOC (10) Cl.** ..... **23-01**

FIG. 1 is a front, top and right side perspective view of a valve element for a rotary valve showing our new design;  
FIG. 2 is a front elevational view thereof;  
FIG. 3 is a back elevational view thereof;  
FIG. 4 is a right side elevational view thereof;  
FIG. 5 is a top plan view thereof;  
FIG. 6 is a bottom plan view thereof;  
FIG. 7 is a cross section taken across FIG. 5 along line 7-7;  
FIG. 8 is a cross section taken across FIG. 2 along line 8-8;  
and,  
FIG. 9 is a cross section taken across FIG. 2 along line 9-9.  
The broken lines in the drawings represent unclaimed environment and form no part of the claimed design. The dash-dot broken lines define the boundaries of the claimed design and form no part thereof.

(52) **U.S. Cl.**

USPC ..... **D23/233**

(58) **Field of Classification Search**

USPC ..... D23/233-269; 251/304, 314, 309,  
251/129.11, 180, 208, 283; 137/625.46,  
137/625.47, 565.11, 625.15, 625.24, 15.22,  
137/601.05, 601.16

CPC ..... F16K 3/08; F16K 5/0242; F16K 5/08;  
F16K 7/065; F16K 31/02; F16K 11/0743;  
F01P 7/14

See application file for complete search history.

**1 Claim, 9 Drawing Sheets**

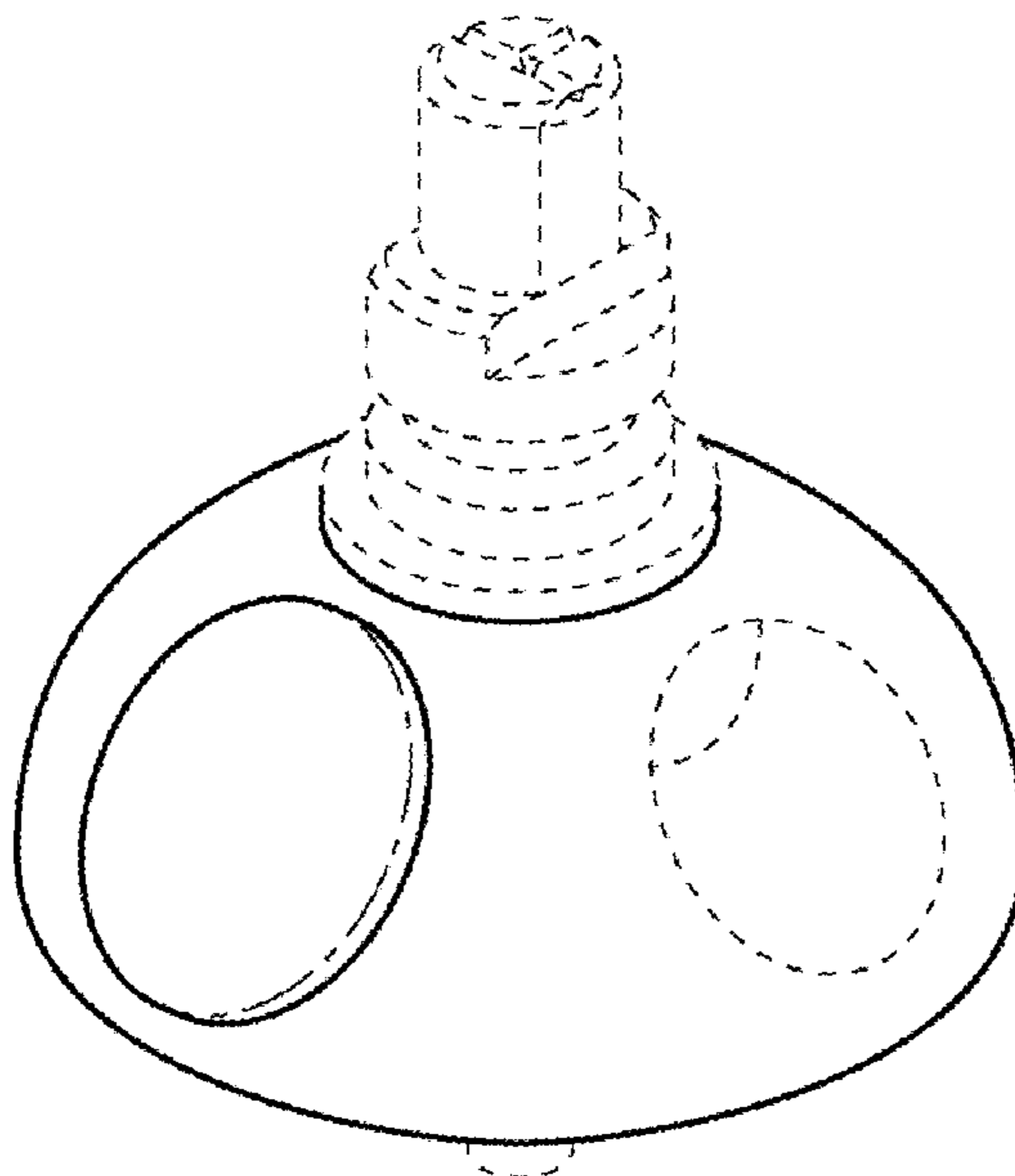


Fig. 1

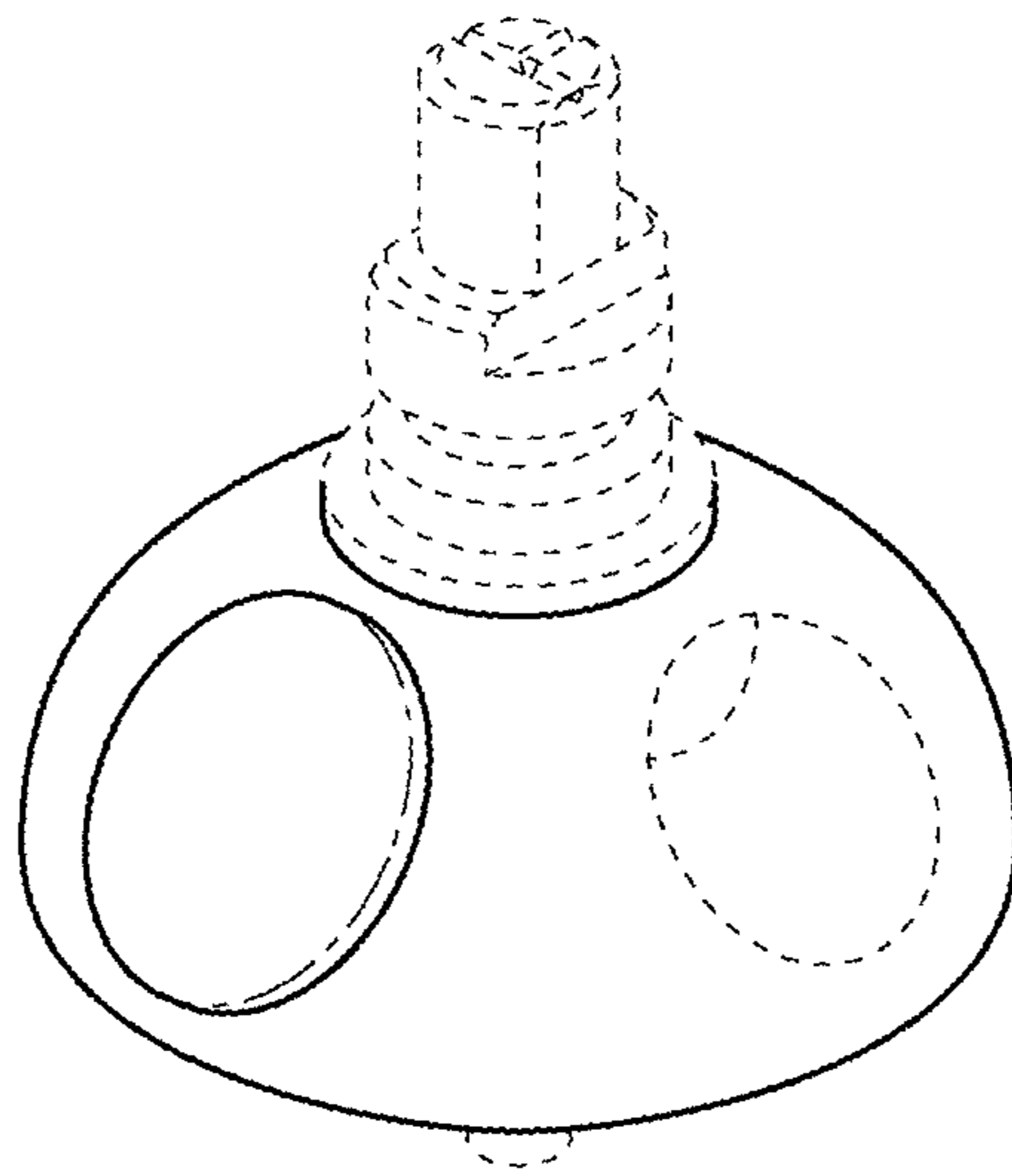


Fig. 2

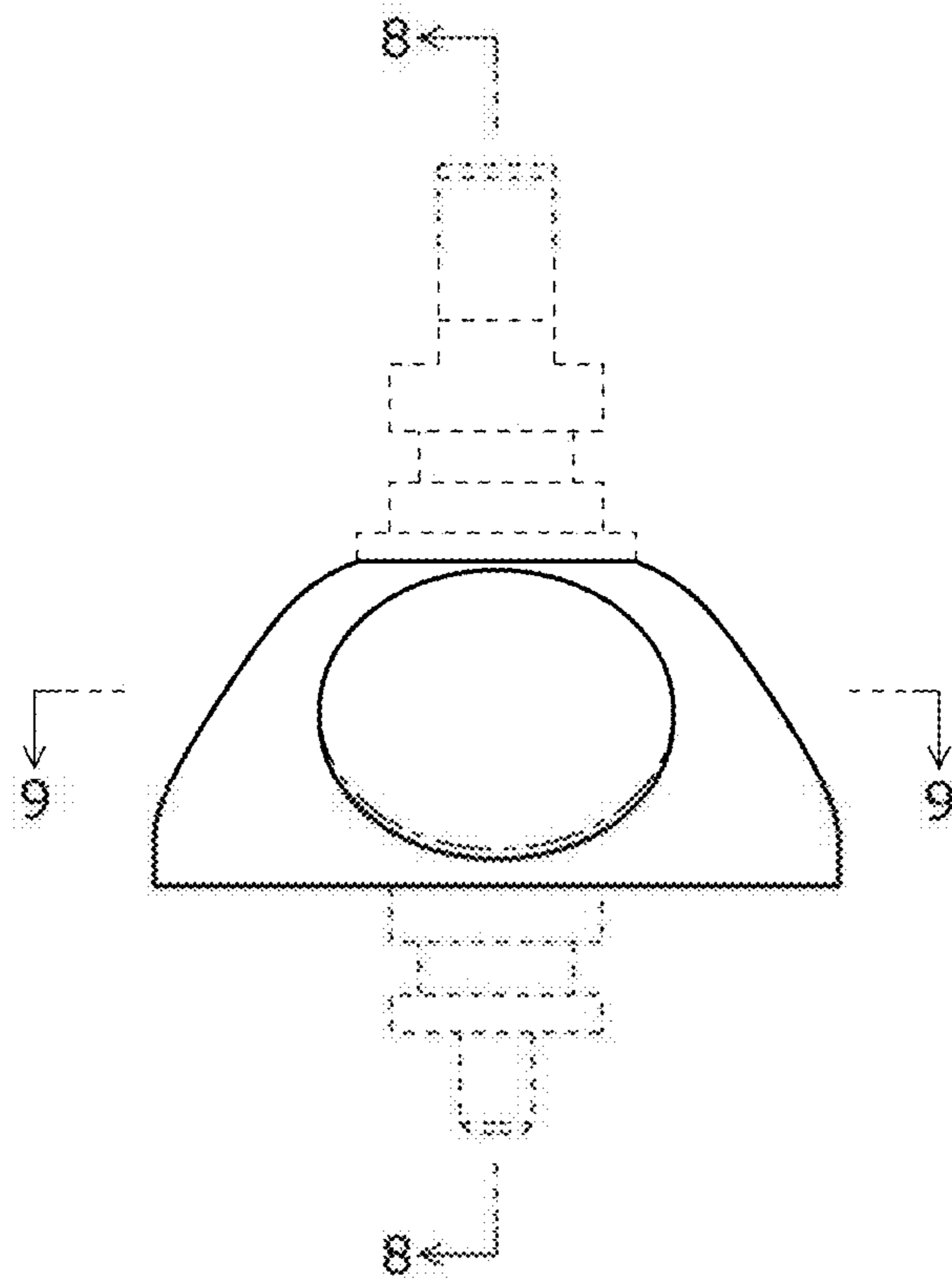


Fig. 3

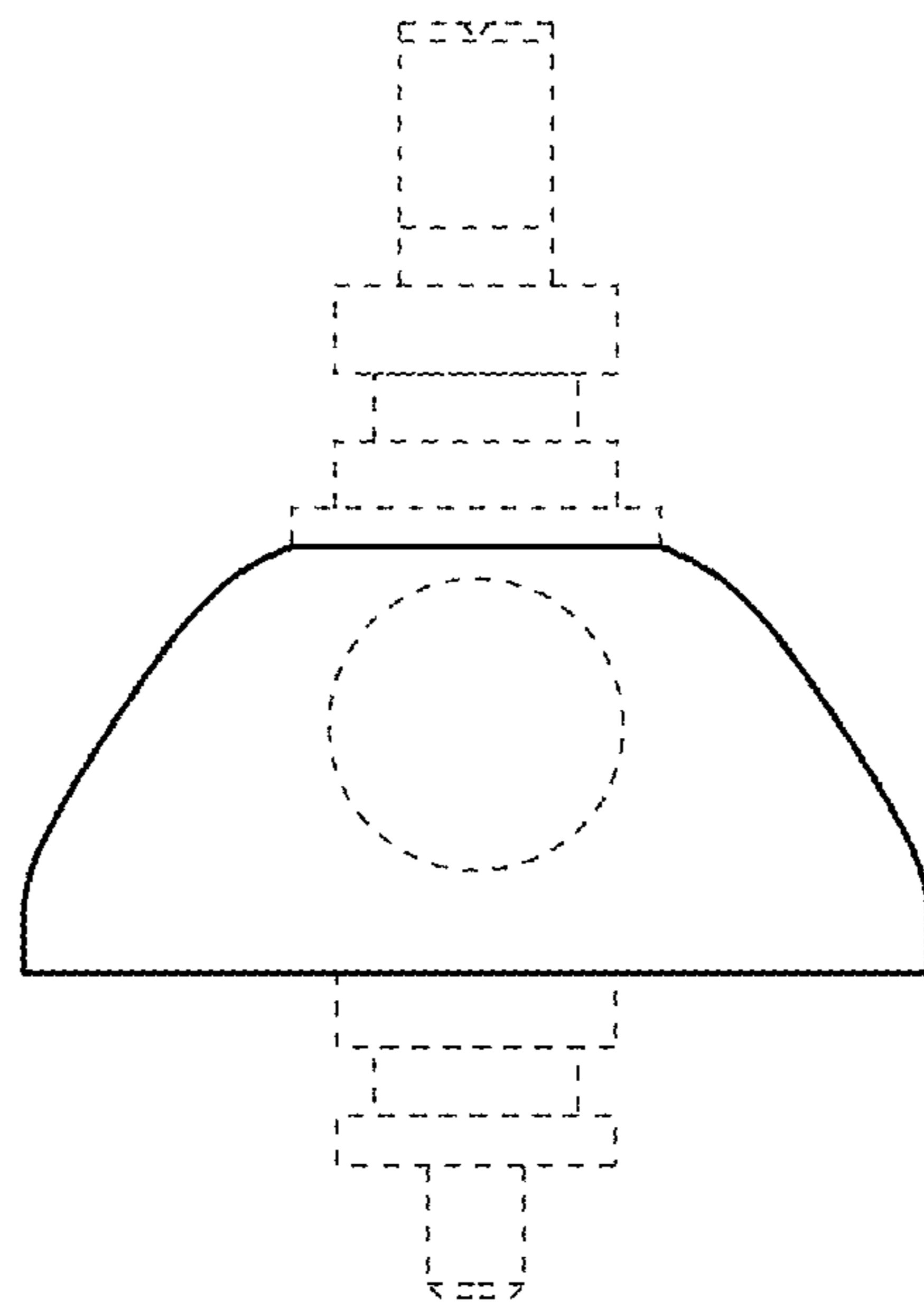


Fig. 4

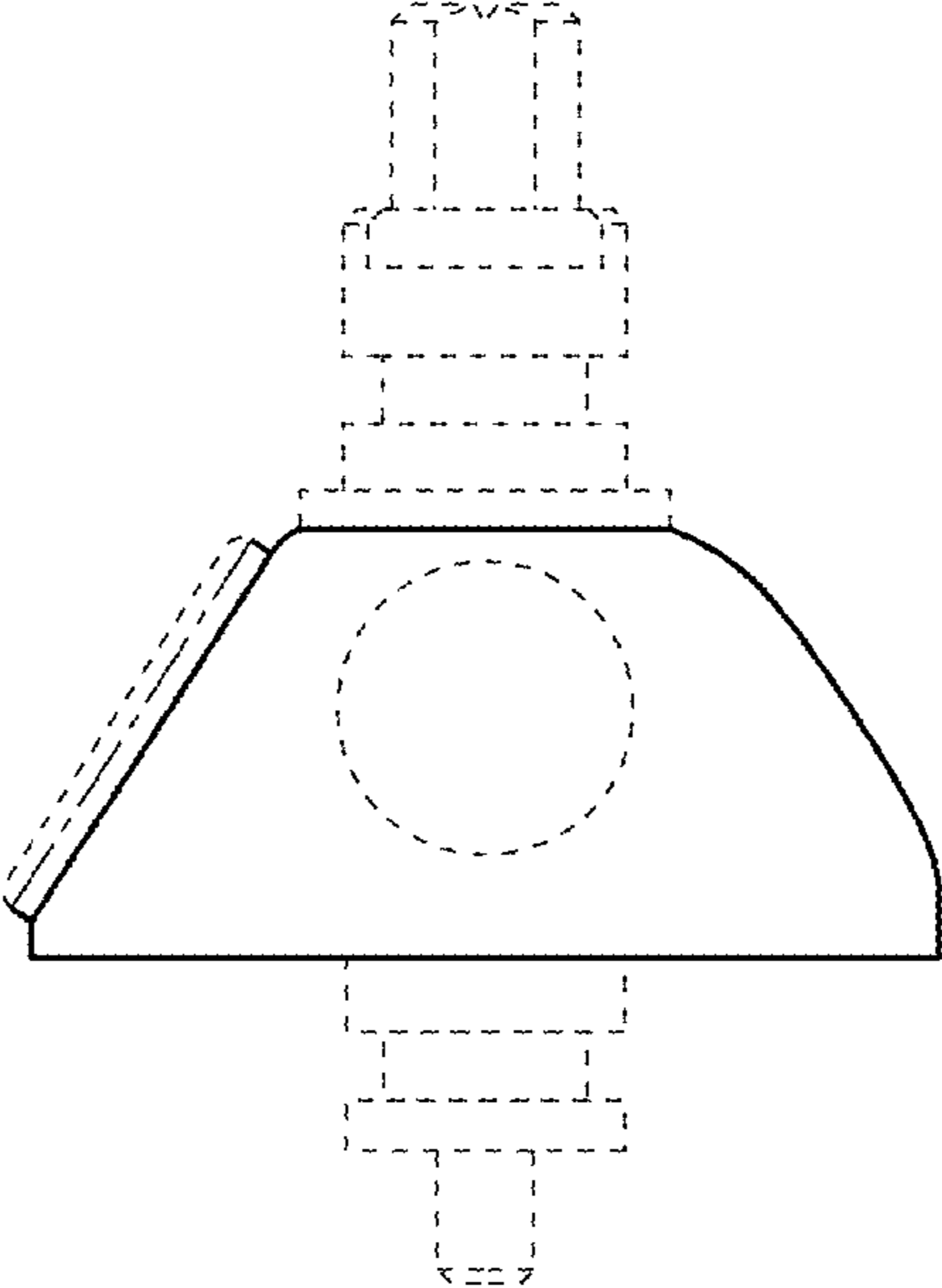


Fig. 5

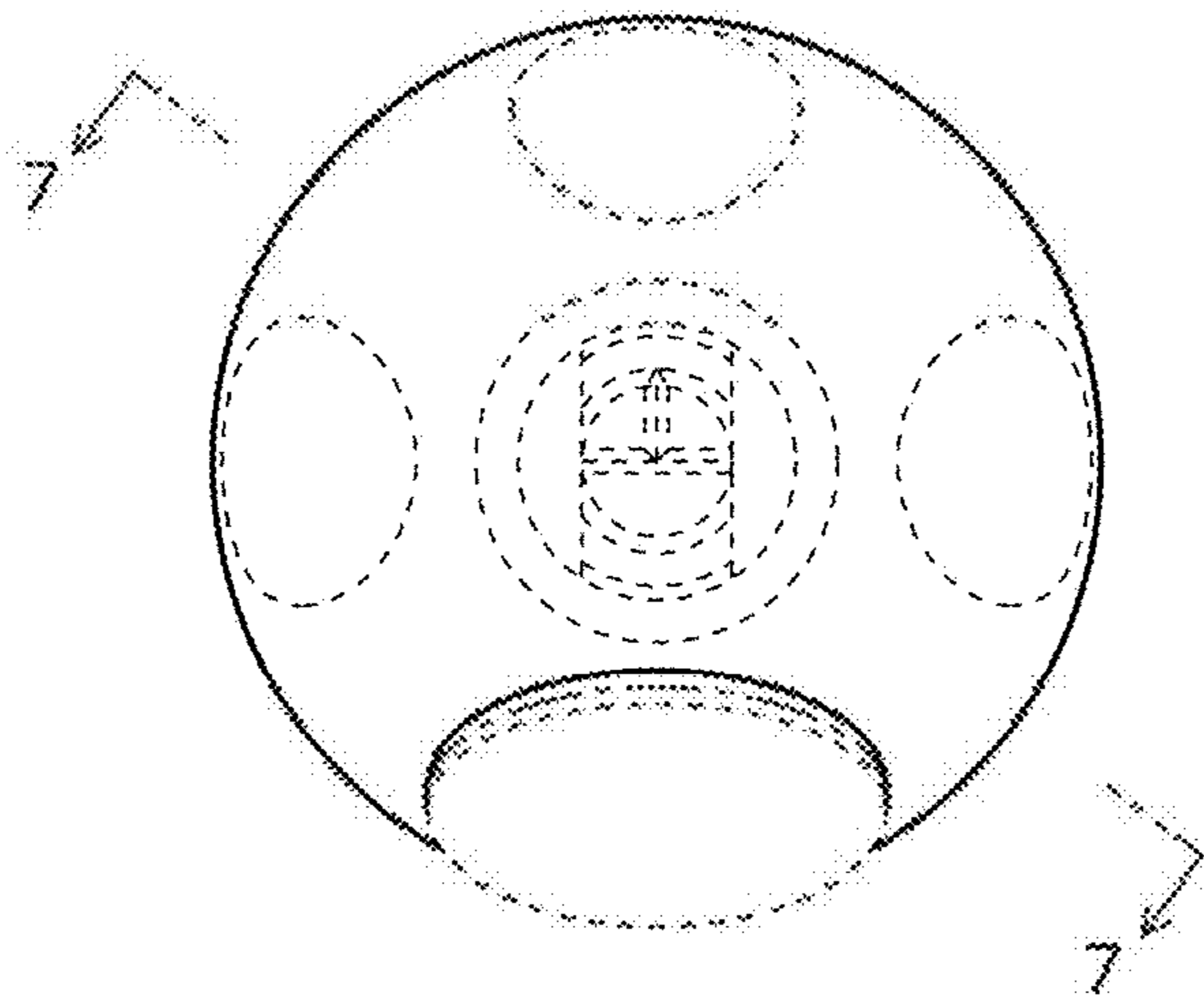


Fig. 6

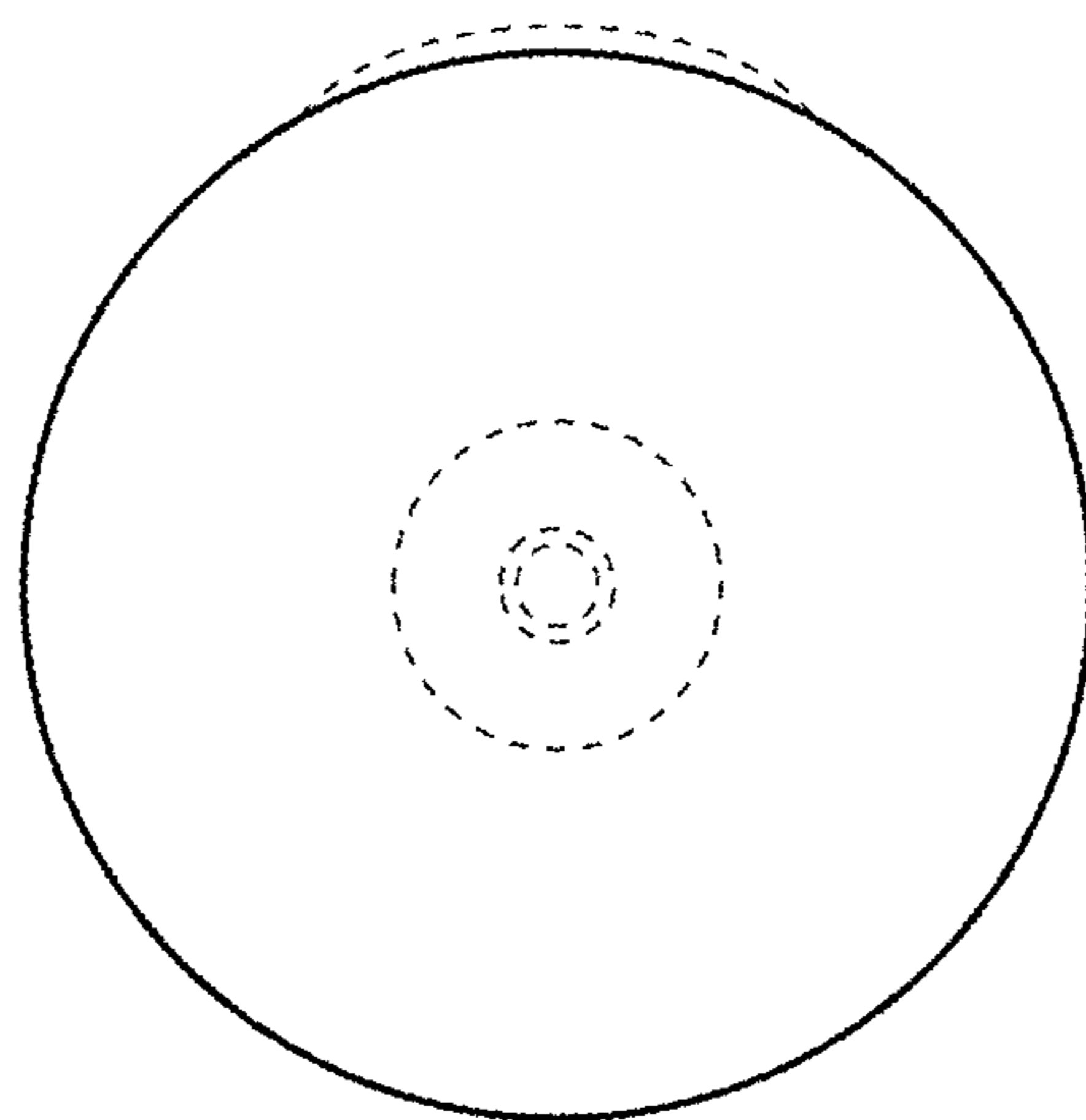


Fig. 7

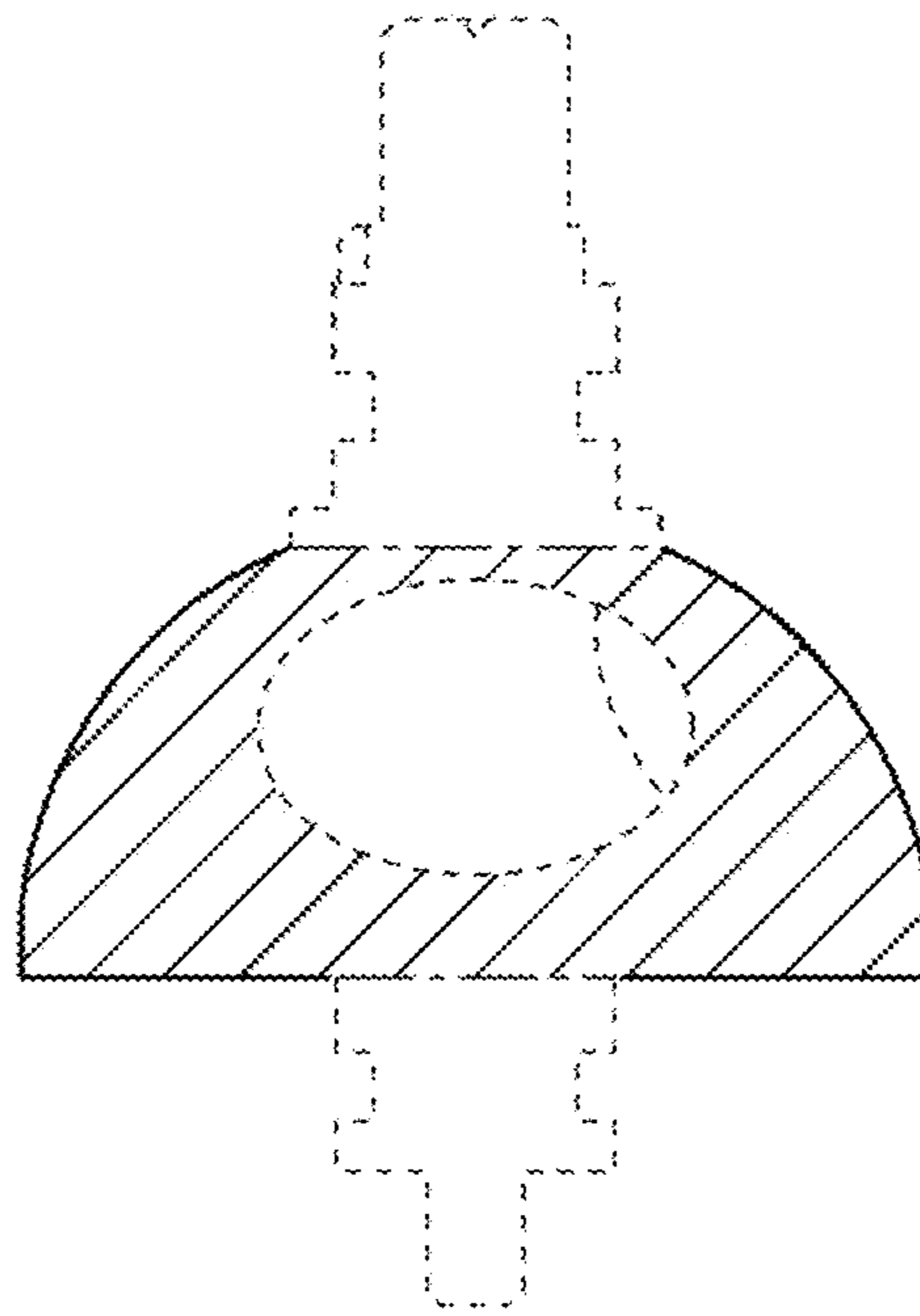




Fig. 8

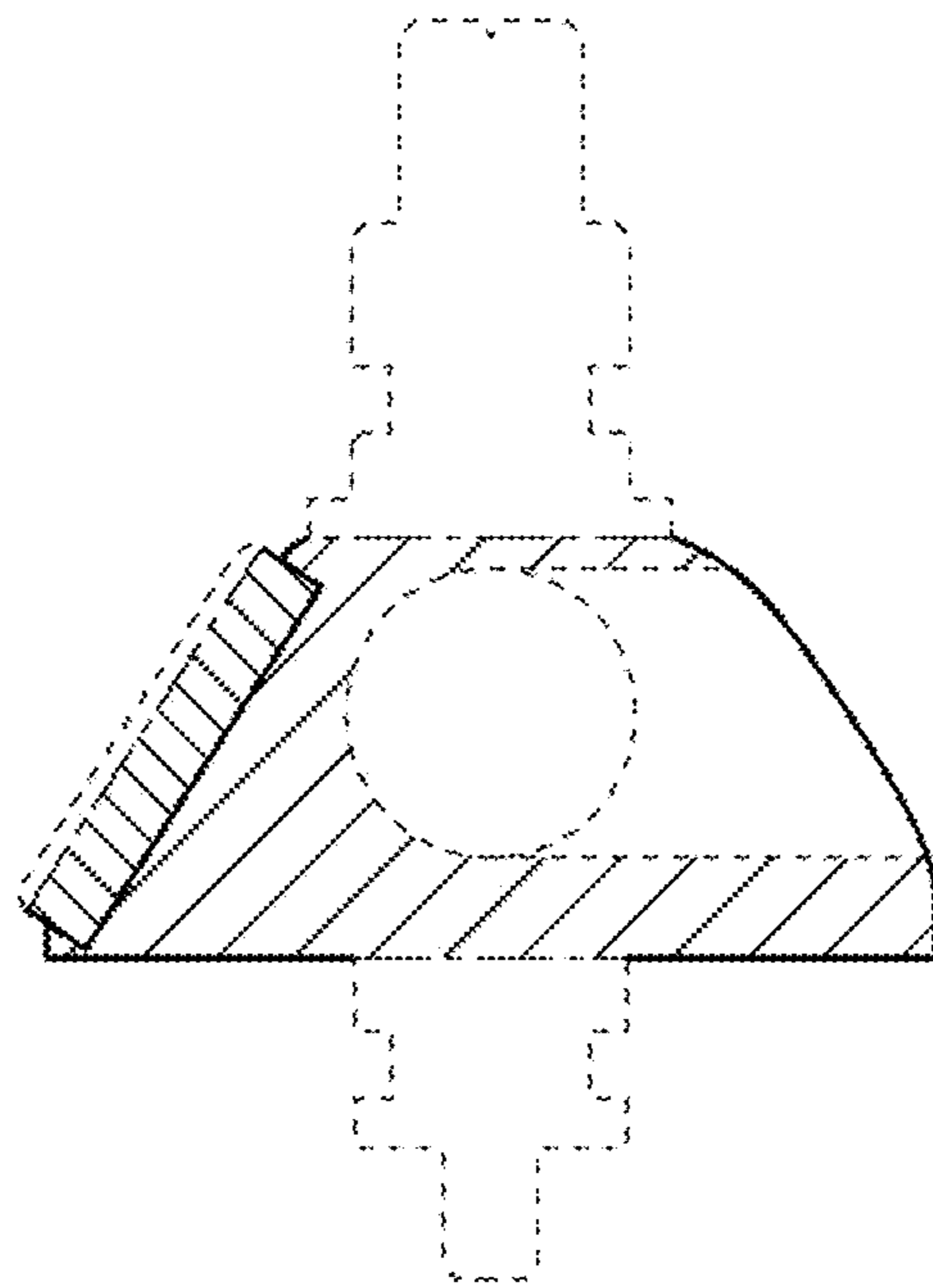


Fig. 9

