



US00D746409S

(12) **United States Design Patent**
Mitchell et al.

(10) **Patent No.:** **US D746,409 S**

(45) **Date of Patent:** **** Dec. 29, 2015**

(54) **UPPER SKIRT FOR A SPRAYER TANK**

(56) **References Cited**

(71) Applicant: **The Fountainhead Group, Inc.**, New York Mills, NY (US)

U.S. PATENT DOCUMENTS

(72) Inventors: **George A. Mitchell**, Utica, NY (US);
Andrew C. Clarey, Clinton, NY (US)

D639,388 S *	6/2011	Plantz	D23/225
D670,788 S *	11/2012	Plantz	D23/225
D705,899 S *	5/2014	Abernethy	D23/225
D719,639 S *	12/2014	Pagliai	D23/225

(73) Assignee: **The Fountainhead Group, Inc.**, New York Mills, NY (US)

* cited by examiner

(**) Term: **14 Years**

Primary Examiner — Robin V Webster

(21) Appl. No.: **29/512,139**

(74) *Attorney, Agent, or Firm* — George R. McGuire; Bond Schoeneck & King, PLLC

(22) Filed: **Dec. 17, 2014**

(51) **LOC (10) Cl.** **23-01**

(52) **U.S. Cl.**
USPC **D23/225**

(58) **Field of Classification Search**
USPC D23/213, 225; 239/308, 152–154
CPC B05B 9/08; B05B 7/2408; B05B 7/2405;
B05B 7/241; B05B 7/2421

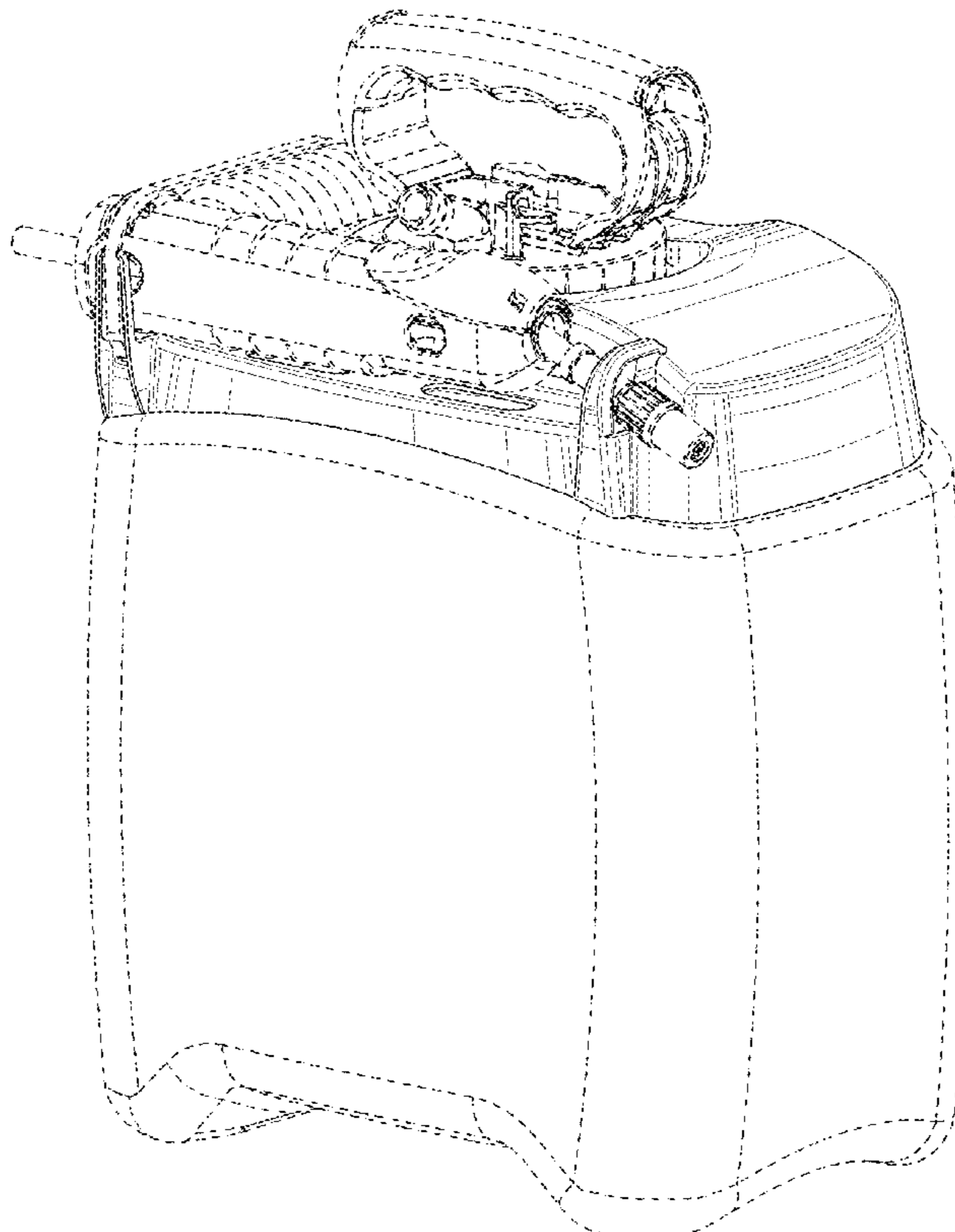
See application file for complete search history.

(57) **CLAIM**
The ornamental design for a upper skirt for a sprayer tank, as shown and described.

DESCRIPTION

FIG. 1 is a perspective view of a new and ornamental upper skirt for a sprayer tank, the tank, pump, sprayer hose and wand being shown in phantom for environment only and forming no part of the claimed design;
FIG. 2 is a first side elevation view thereof;
FIG. 3 is a second side elevation view thereof;
FIG. 4 is a front elevation view thereof;
FIG. 5 is a rear elevation view thereof;
FIG. 6 is a top plan view thereof; and,
FIG. 7 is a bottom plan view thereof.

1 Claim, 7 Drawing Sheets



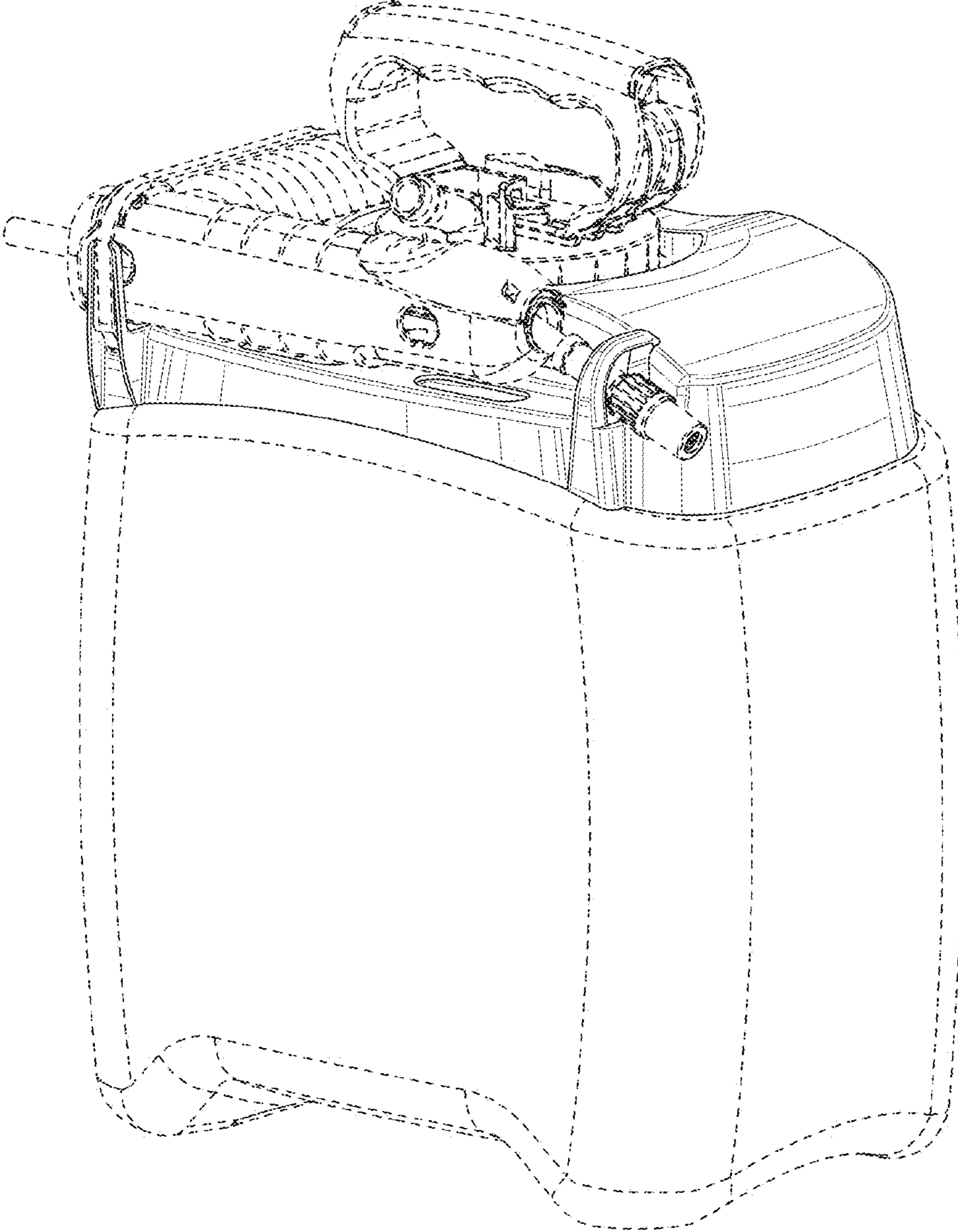


FIG. 1

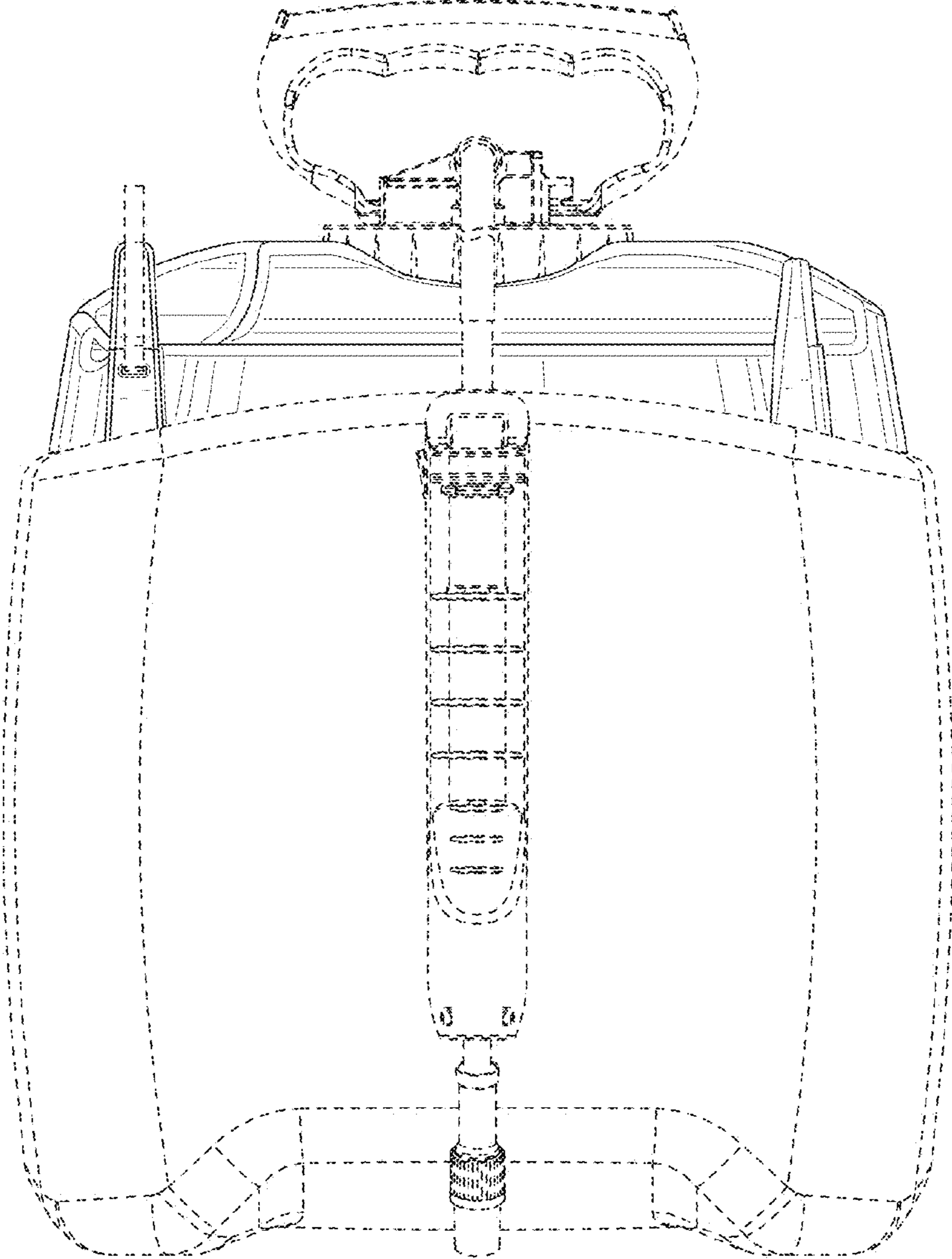


FIG. 2

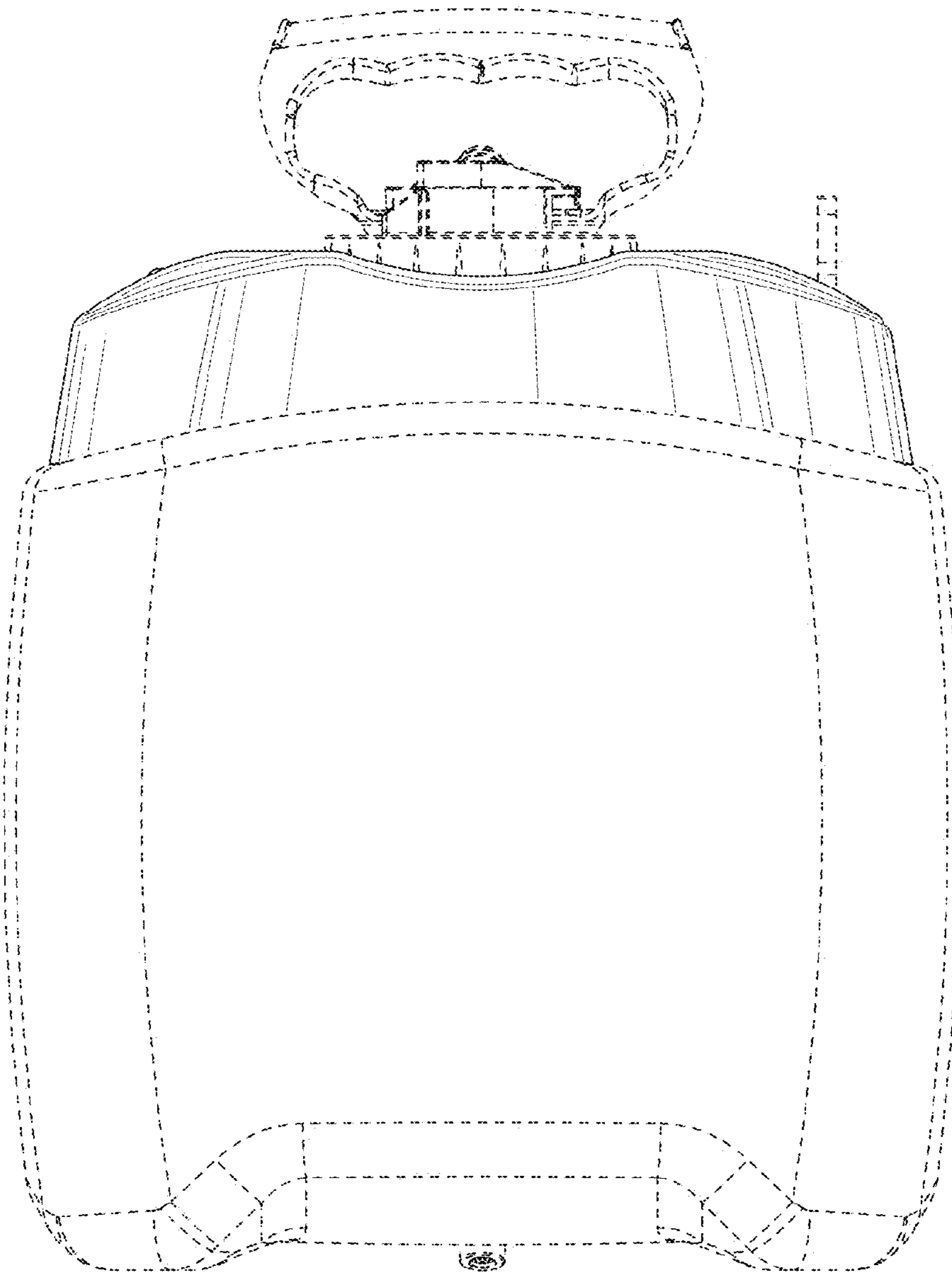


FIG. 3

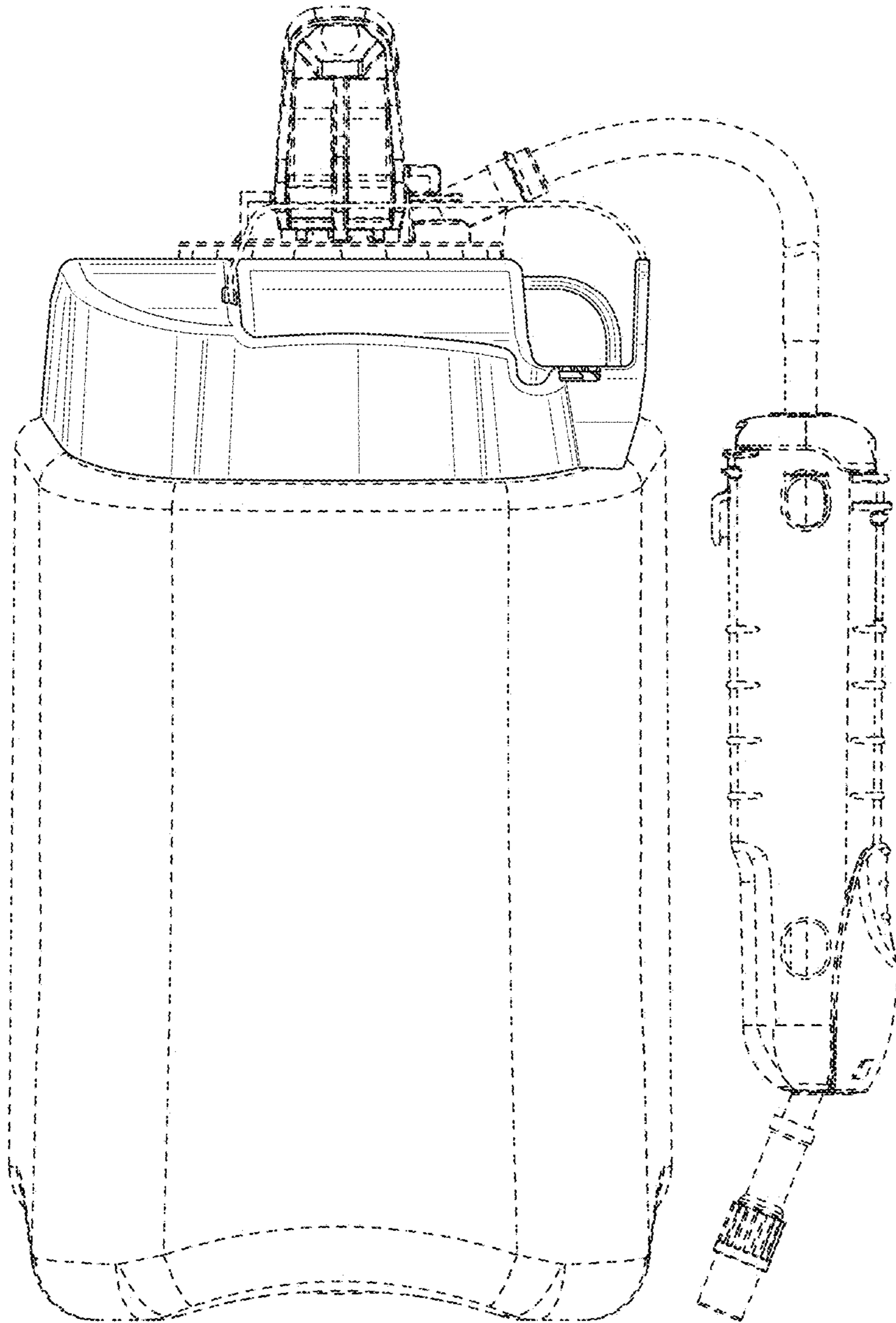


FIG. 4

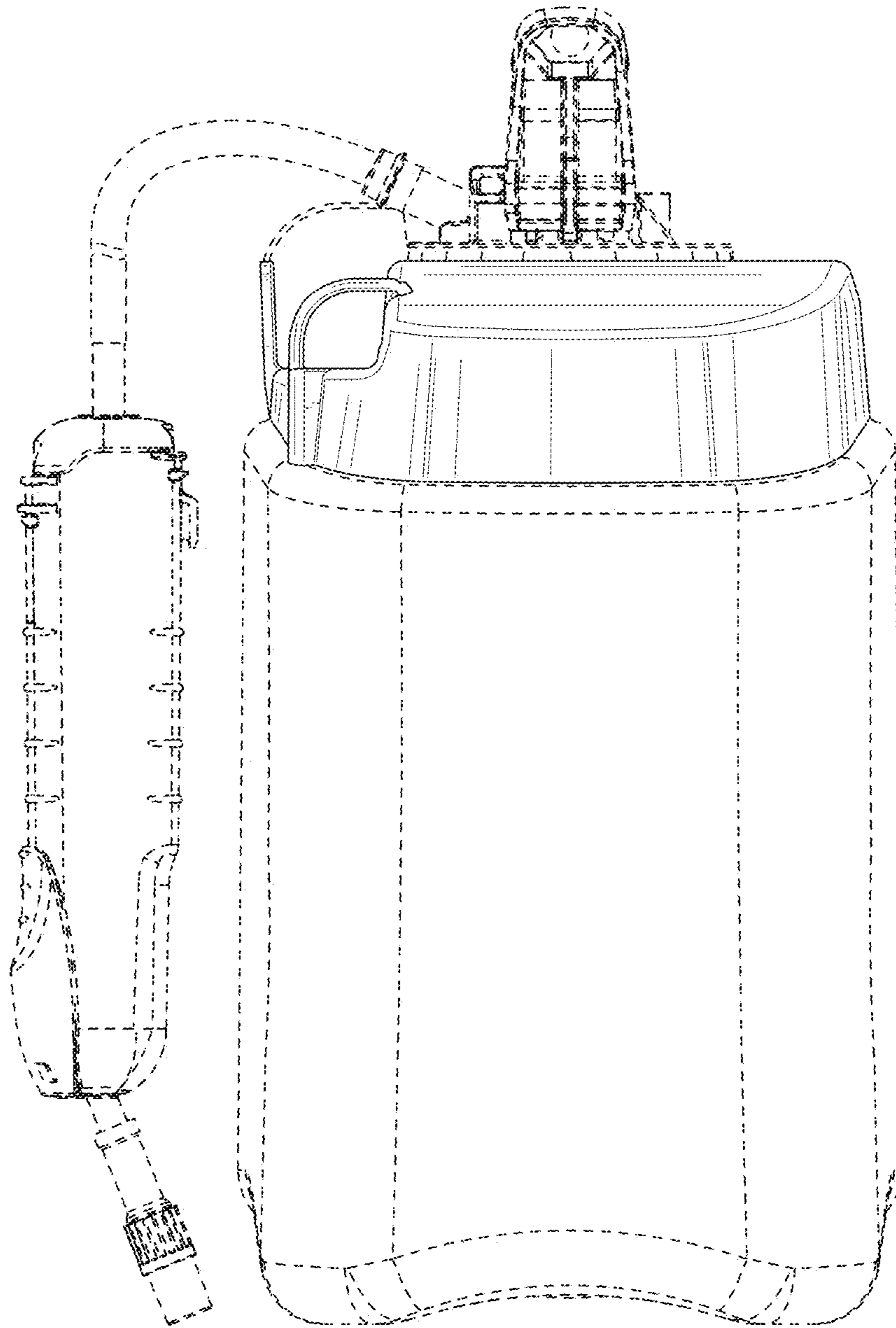


FIG. 5

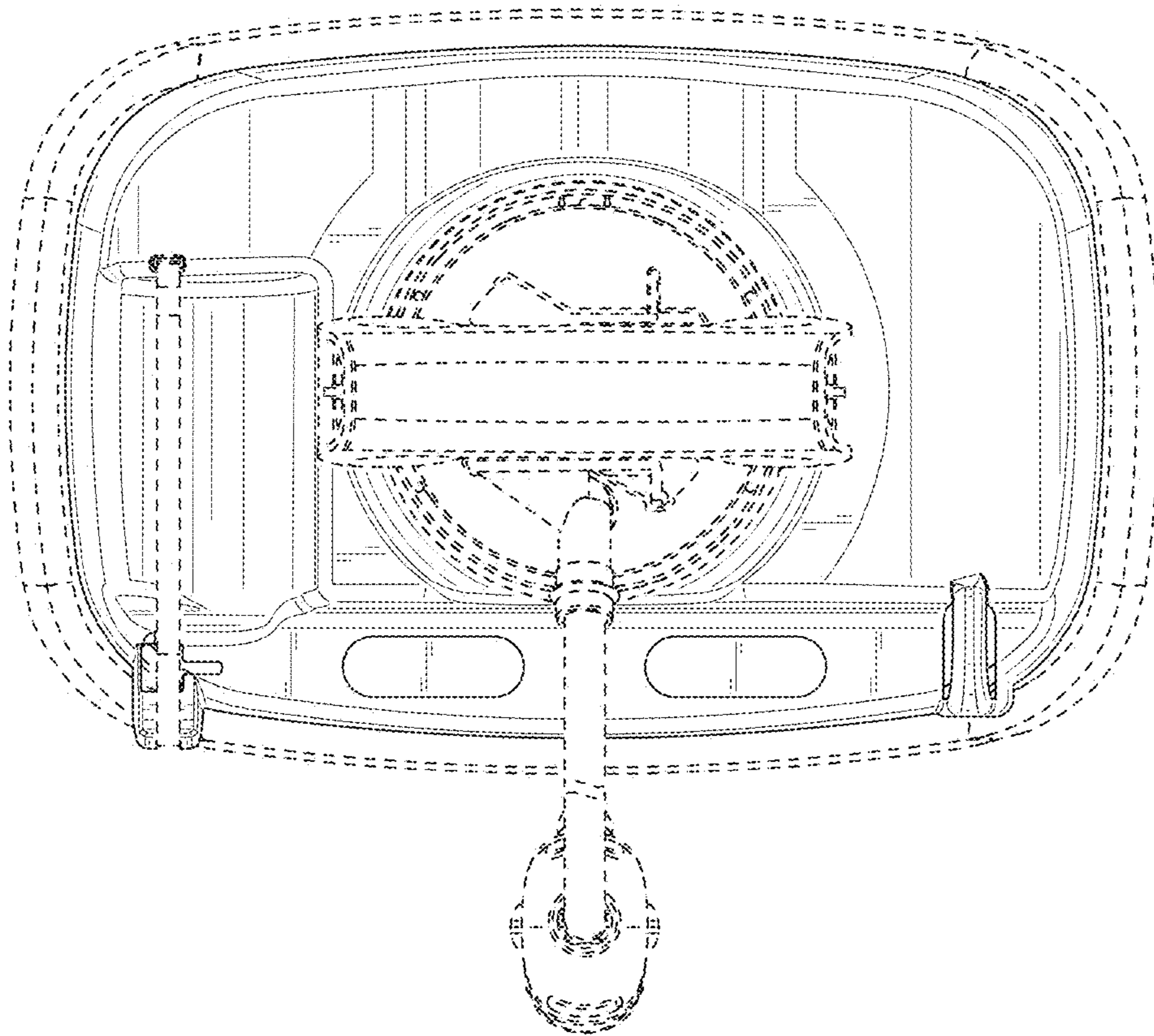


FIG. 6

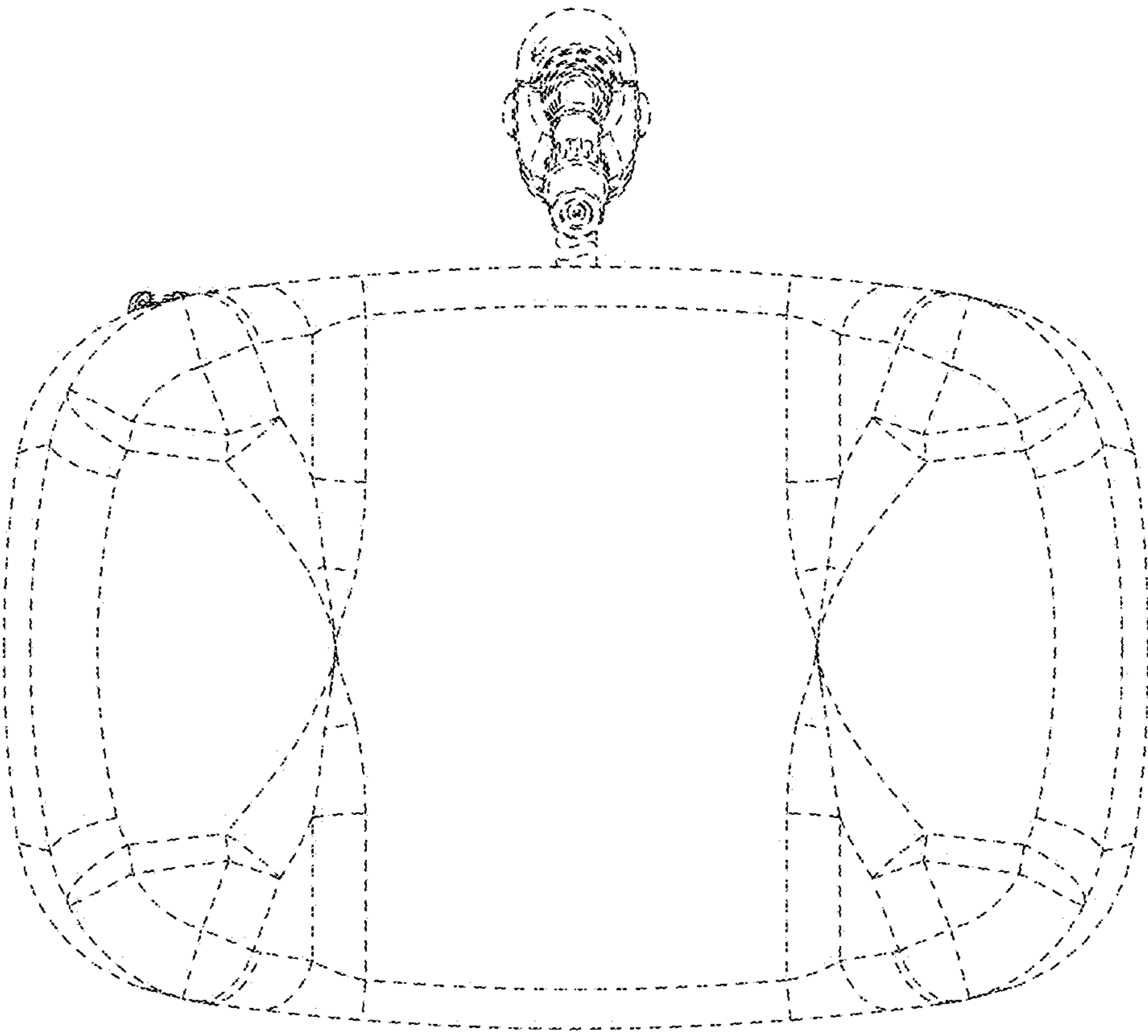


FIG. 7