



US00D746408S

(12) **United States Design Patent**  
**Benson**

(10) **Patent No.:** **US D746,408 S**

(45) **Date of Patent:** **\*\* Dec. 29, 2015**

(54) **FLUID DISPENSING CART**

(71) Applicant: **Robert Benson**, White Bear Lake, MN  
(US)

(72) Inventor: **Robert Benson**, White Bear Lake, MN  
(US)

(\*\*) Term: **14 Years**

(21) Appl. No.: **29/444,261**

(22) Filed: **Jan. 29, 2013**

(51) **LOC (10) Cl.** ..... **23-01**

(52) **U.S. Cl.**  
USPC ..... **D23/225**; D34/18; D15/13

(58) **Field of Classification Search**  
USPC ..... D23/213, 225; D34/14, 18, 19, 25;  
239/146, 147; 141/231; D15/13  
See application file for complete search history.

(56) **References Cited**

**U.S. PATENT DOCUMENTS**

1,987,649	A	1/1935	Wertz	
D222,642	S	* 11/1971	Broyhill	..... D15/13
D235,996	S	* 7/1975	Scheider	..... D15/13
D311,080	S	10/1990	Arnott et al.	
D365,583	S	12/1995	Viken	
5,494,191	A	2/1996	Benson	
D368,726	S	4/1996	Few	
D395,439	S	6/1998	King	
5,947,385	A	* 9/1999	Lanerd et al.	..... 239/172
D424,771	S	* 5/2000	Sivells et al.	..... D34/14
D426,691	S	6/2000	Johnson et al.	
6,070,808	A	* 6/2000	Kildow	..... 239/146
D442,756	S	5/2001	Jarvis et al.	

6,279,838	B1	*	8/2001	Sivells et al.	..... 239/146
D465,895	S		11/2002	Pfefferle et al.	
D470,871	S		2/2003	Burger et al.	
D486,915	S		2/2004	Warschewske et al.	
6,698,472	B2		3/2004	Camacho et al.	
D518,267	S		3/2006	Arceta	
7,513,510	B2		4/2009	Vanderberg	
D597,173	S	*	7/2009	Mulgrew et al.	..... D23/225
D611,610	S		3/2010	Fleck et al.	
2007/0079739	A1		4/2007	Meyer	

**OTHER PUBLICATIONS**

Flightmaster Flight-Line Towable 5GL Brochure, 1995.

\* cited by examiner

*Primary Examiner* — Robin V Webster

(74) *Attorney, Agent, or Firm* — Haugen Law Firm PLLP

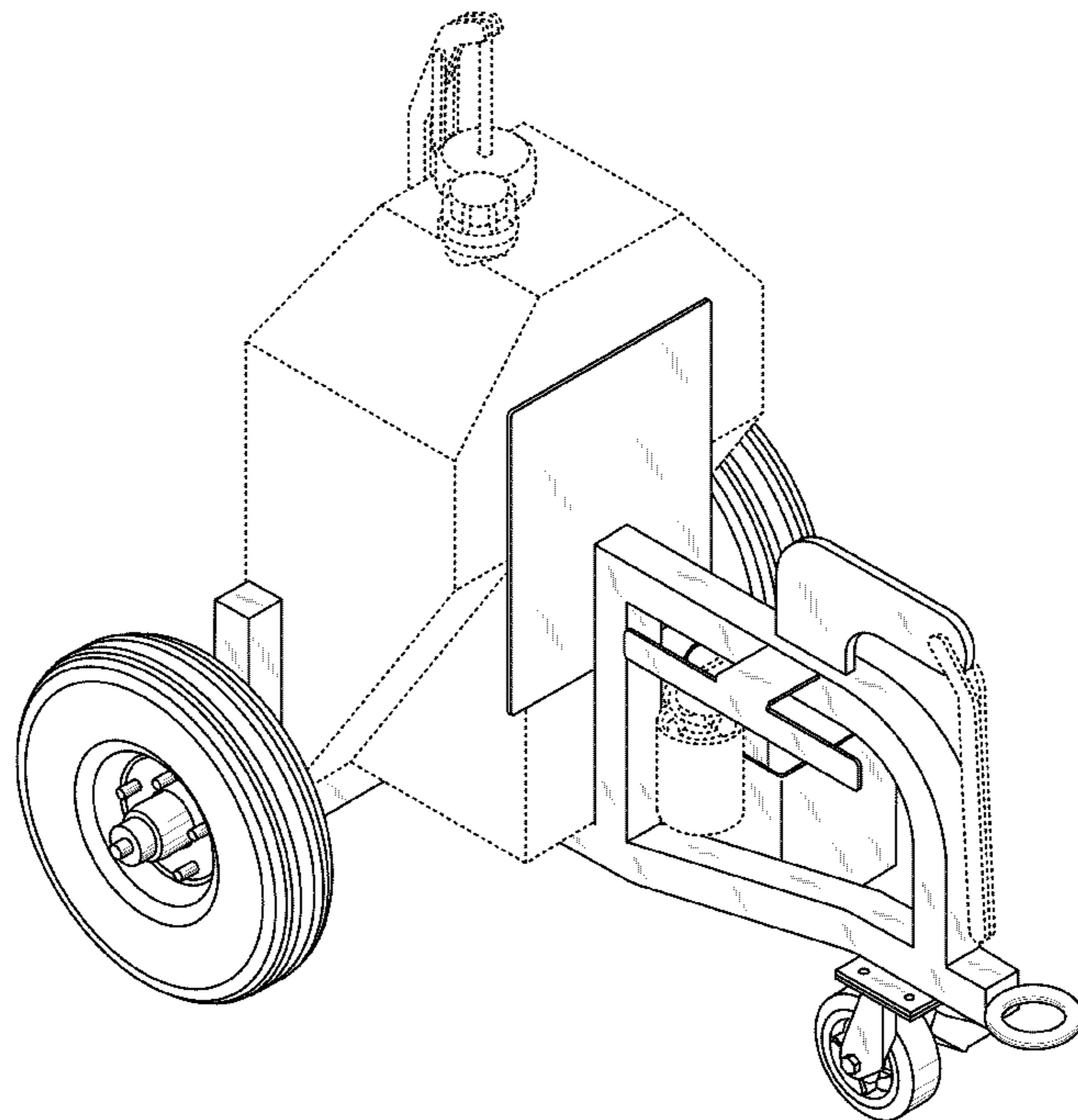
(57) **CLAIM**

The ornamental design for a fluid dispensing cart, as shown and described.

**DESCRIPTION**

FIG. 1 is a perspective view of the design;  
FIG. 2 is a front elevational view of the design;  
FIG. 3 is a rear elevational view of the design;  
FIG. 4 is a right side elevational view of the design;  
FIG. 5 is a left side elevational view of the design;  
FIG. 6 is a top plan view of the design; and,  
FIG. 7 is a bottom plan view of the design.  
The broken line showing is for illustrative purposes only, and forms no part of the claimed design.

**1 Claim, 7 Drawing Sheets**



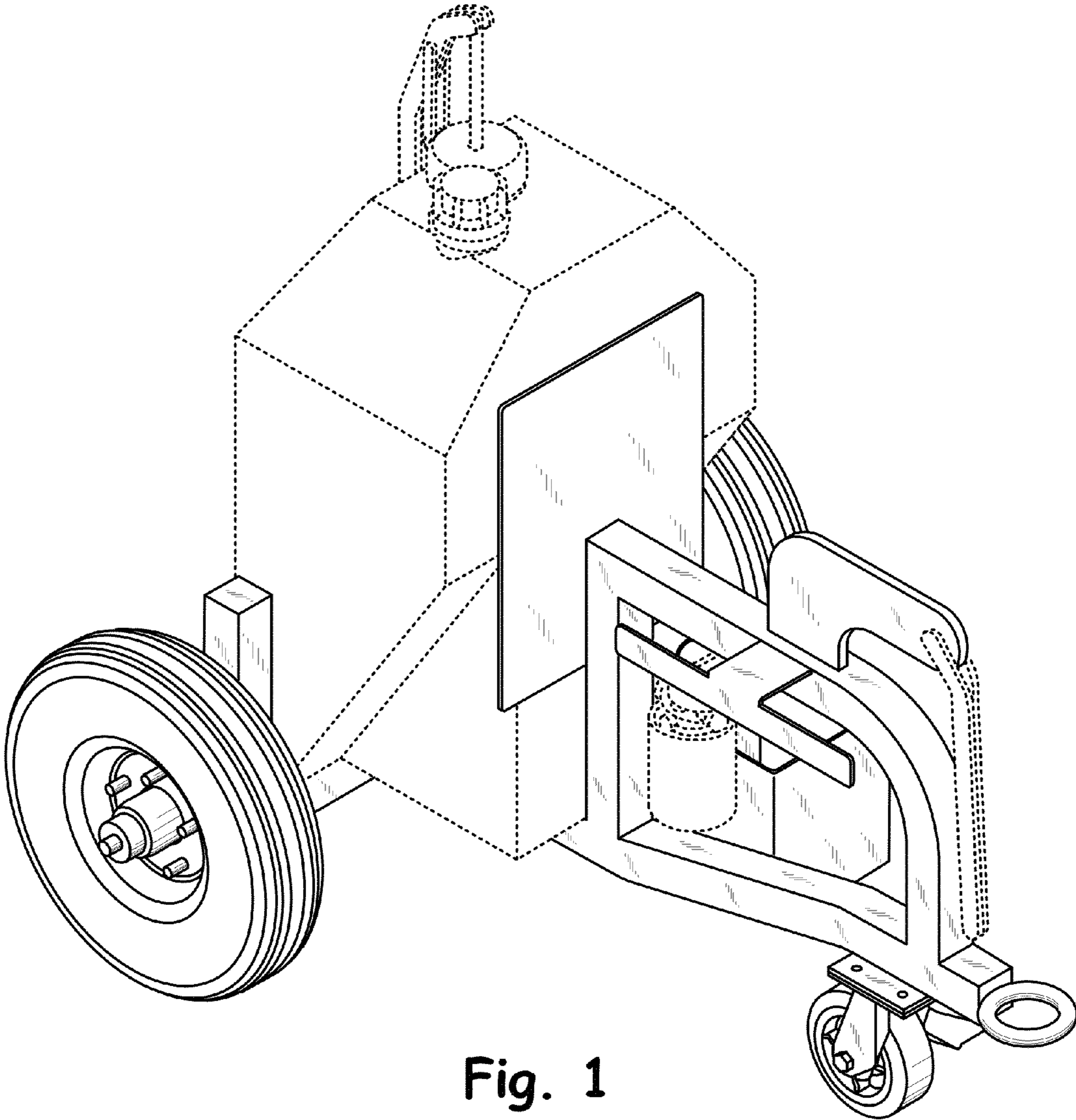


Fig. 1

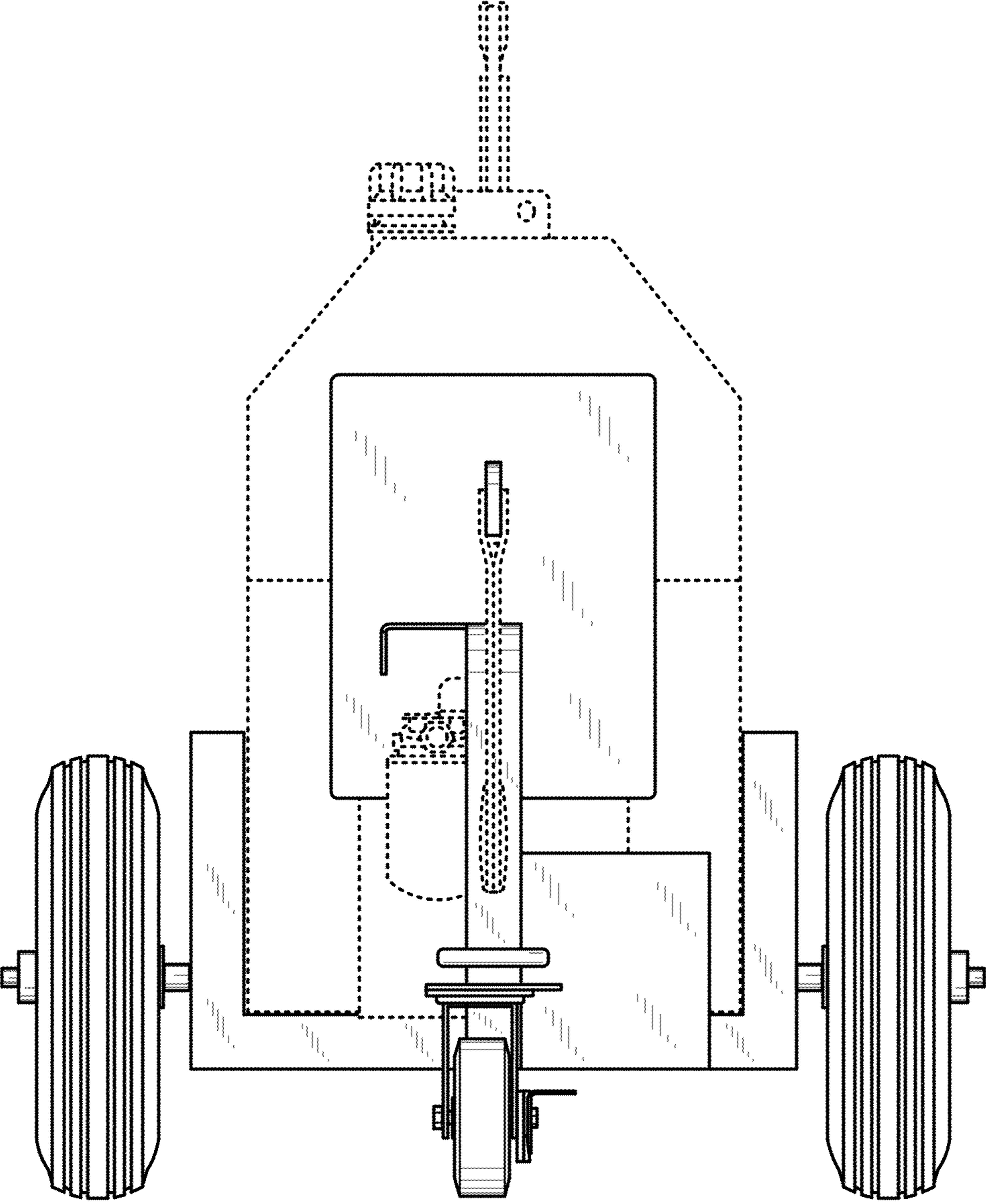


Fig. 2

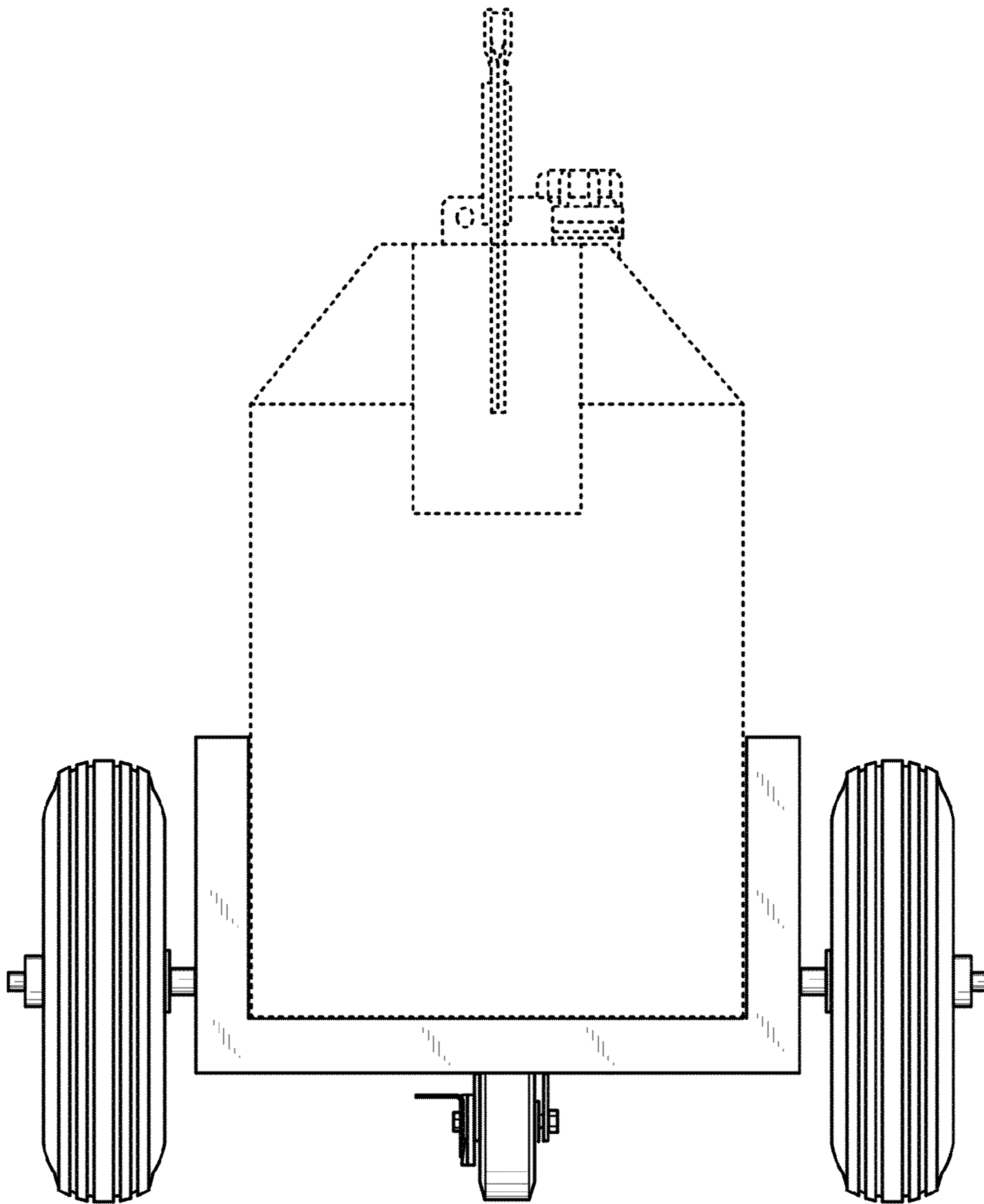


Fig. 3

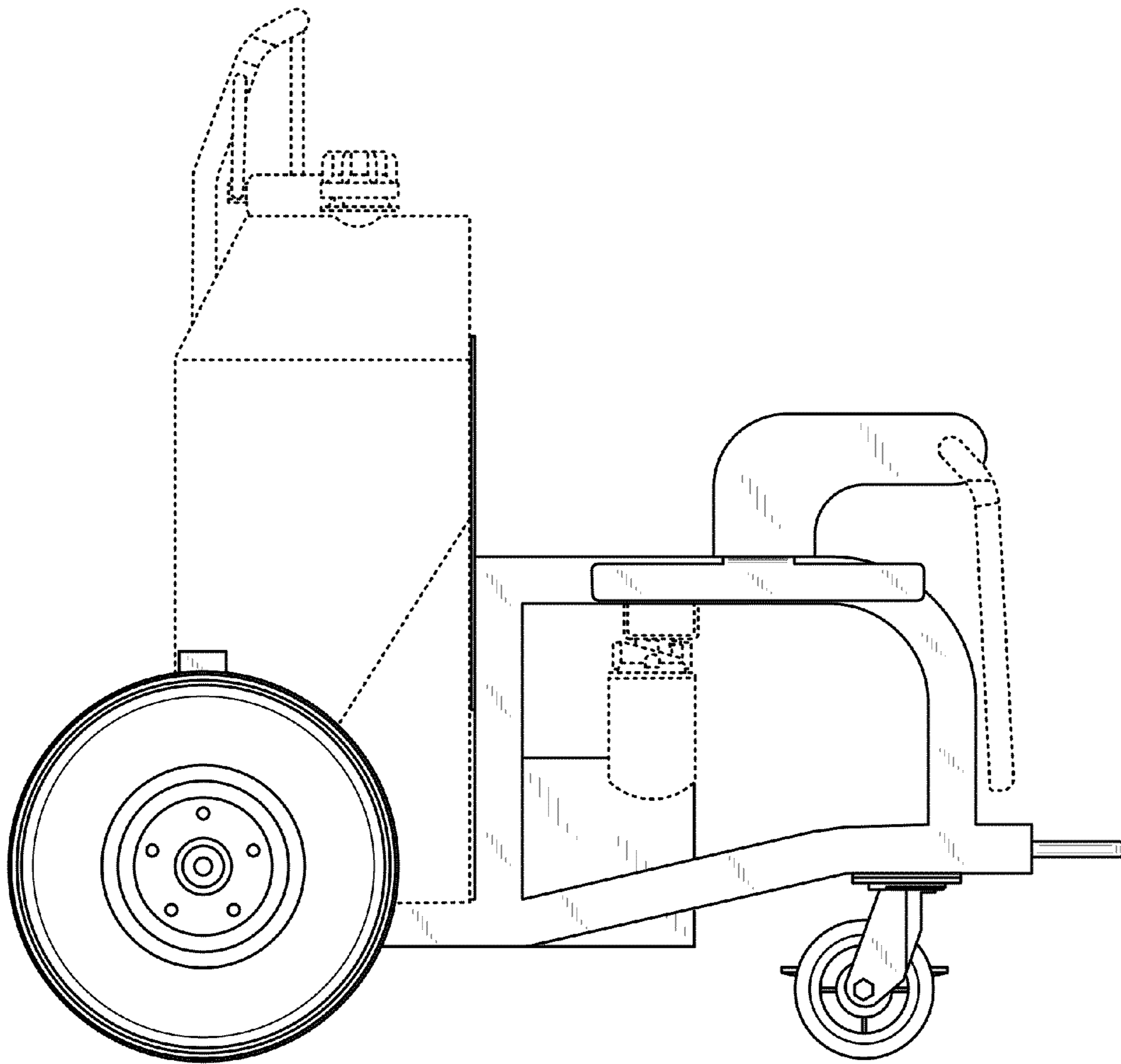


Fig. 4

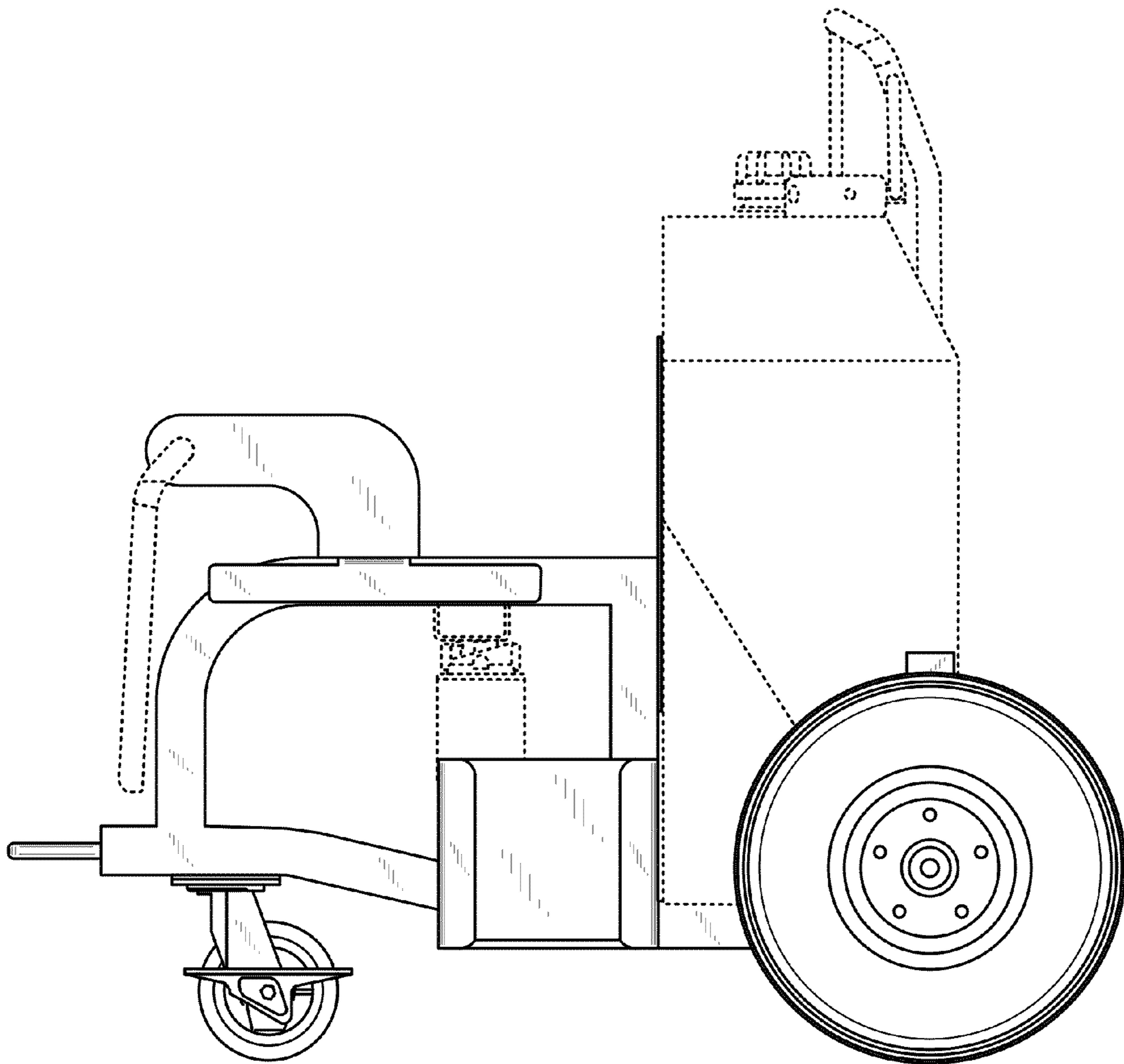


Fig. 5

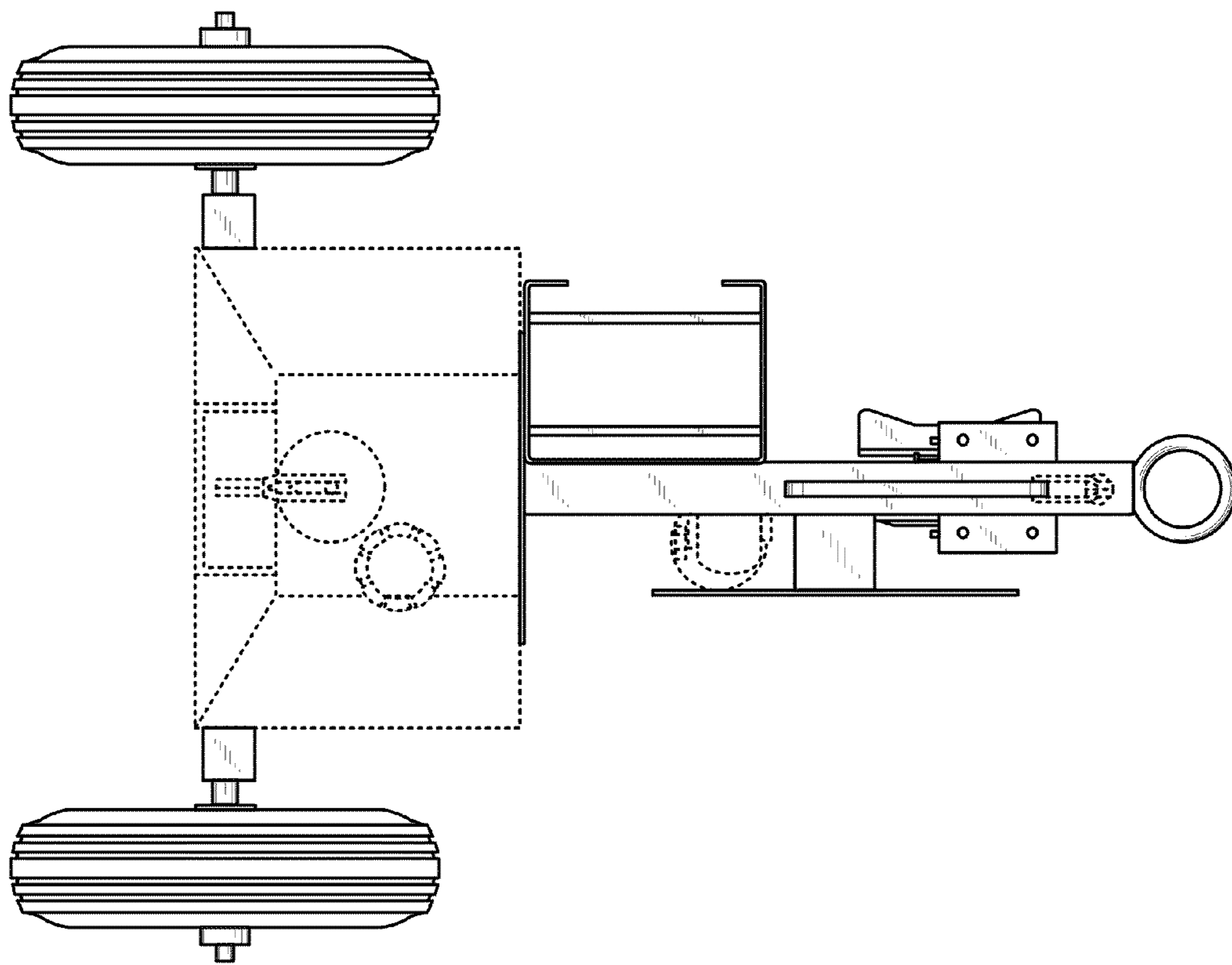


Fig. 6

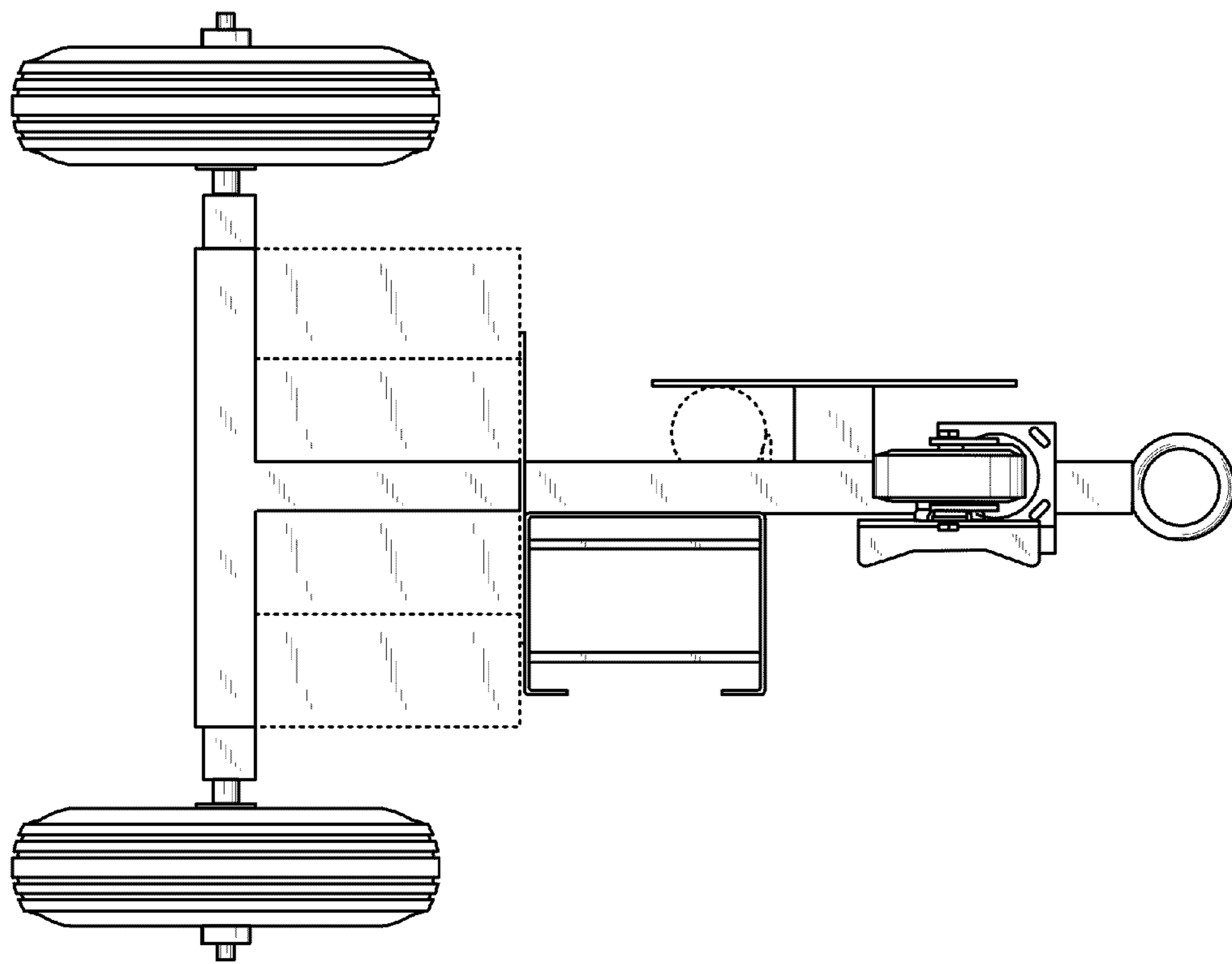


Fig. 7