



US00D746406S

(12) **United States Design Patent**
DeFelice

(10) **Patent No.:** **US D746,406 S**

(45) **Date of Patent:** **** Dec. 29, 2015**

(54) **GUN SIGHT**

(71) Applicant: **Frank DeFelice**, Philadelphia, PA (US)

(72) Inventor: **Frank DeFelice**, Philadelphia, PA (US)

(**) Term: **14 Years**

(21) Appl. No.: **29/519,588**

(22) Filed: **Mar. 6, 2015**

(51) **LOC (10) Cl.** **22-01**

(52) **U.S. Cl.**
USPC **D22/109**

(58) **Field of Classification Search**

USPC D22/108, 109; 42/90, 85, 106,
42/113-114, 124-128; 89/37.03-37.04,
89/41.17; 248/201, 205.1
CPC F41C 23/00; F41C 27/00; F41C 27/06
See application file for complete search history.

(56) **References Cited**

U.S. PATENT DOCUMENTS

1,329,075	A	1/1920	Fornonzini	
D80,341	S	1/1930	von Frommer	
D183,360	S	* 8/1958	McGabe D22/109
2,932,895	A	4/1960	Costa	
4,192,075	A	3/1980	Strahan	
4,601,121	A	7/1986	Jolly	
D382,038	S	8/1997	Nigh	

(Continued)

OTHER PUBLICATIONS

<http://www.suresight.com/>, "If You Can't Hit What You Shoot At, What's The Point Of Having A Gun?," Copyright 2006 SureSight, LLC, pp. 1-10.
<http://www.steyrarms.com/products/sporting-rifles/steyr-pistol-m-a1>, "Steyr Mannlicher US: Pistol M-A1," Oct. 2010.

Primary Examiner — Michael A Pratt

(74) *Attorney, Agent, or Firm* — Thomas H. Walls; Dann, Dorfman, Herrell and Skillman, P.C.

(57) **CLAIM**

I claim the ornamental design for a gun sight, as shown.

DESCRIPTION

FIG. 1 is a left front perspective view of a first embodiment of a gun sight embodying the design;
FIG. 2 is a right rear perspective view thereof;
FIG. 3 is a top view thereof;
FIG. 4 is a bottom view thereof;
FIG. 5 is a left side view thereof, the right side being a mirror image thereof;
FIG. 6 is a front view thereof;
FIG. 7 is a rear view thereof;
FIG. 8 is a right front perspective view thereof;
FIG. 9 is a left front perspective view of a second embodiment of a gun sight embodying the design;
FIG. 10 is a right rear perspective view thereof;
FIG. 11 is a top view thereof;
FIG. 12 is a bottom view thereof;
FIG. 13 is a left side view thereof, the right side being a mirror image thereof;
FIG. 14 is a front view thereof;
FIG. 15 is a rear view thereof;
FIG. 16 is a left rear perspective view thereof;
FIG. 17 is a left front perspective view thereof;
FIG. 18 is a left front perspective view of a third embodiment of a gun sight embodying the design;
FIG. 19 is a right rear perspective view thereof;
FIG. 20 is a top view thereof;
FIG. 21 is a bottom view thereof;
FIG. 22 is a left side view thereof, the right side being a mirror image thereof;
FIG. 23 is a front view thereof;
FIG. 24 is a rear view thereof; and,
FIG. 25 is a left front perspective view thereof.
The features shown in broken lines in FIGS. 8, 16, 17, and 25 form no part of the design of those embodiments.

1 Claim, 7 Drawing Sheets



US D746,406 S

Page 2

(56)

References Cited

U.S. PATENT DOCUMENTS

6,360,471 B1 3/2002 Stein
6,578,310 B1 6/2003 Schacht
D489,115 S 4/2004 Nasef

D546,915 S * 7/2007 Price D22/109
D565,144 S 3/2008 Price
D700,268 S 2/2014 Hornberg

* cited by examiner



FIG. 1



FIG. 2

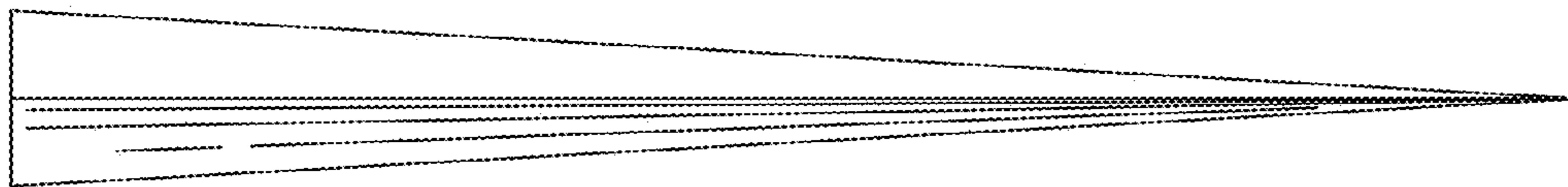


FIG. 3

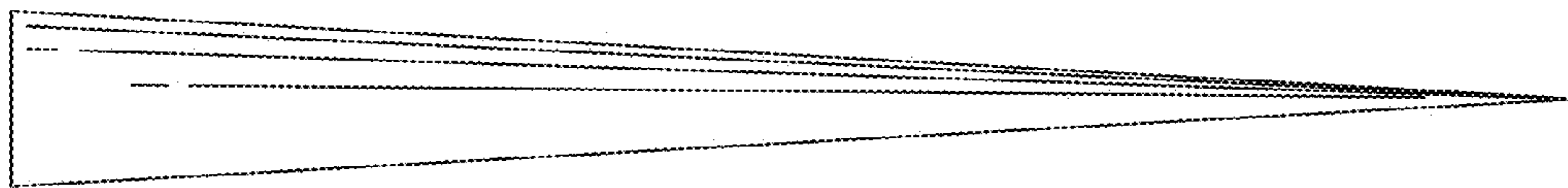


FIG. 4

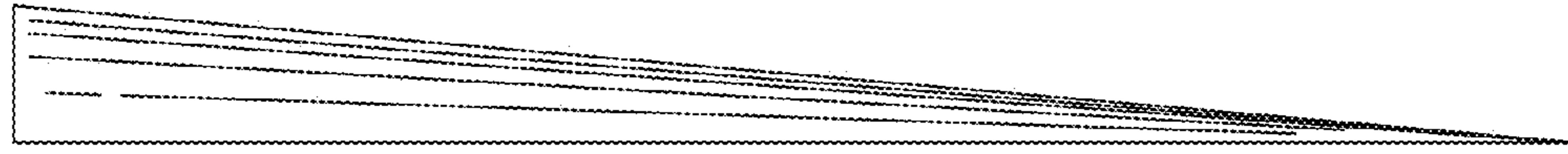


FIG. 5



FIG. 6



FIG. 7

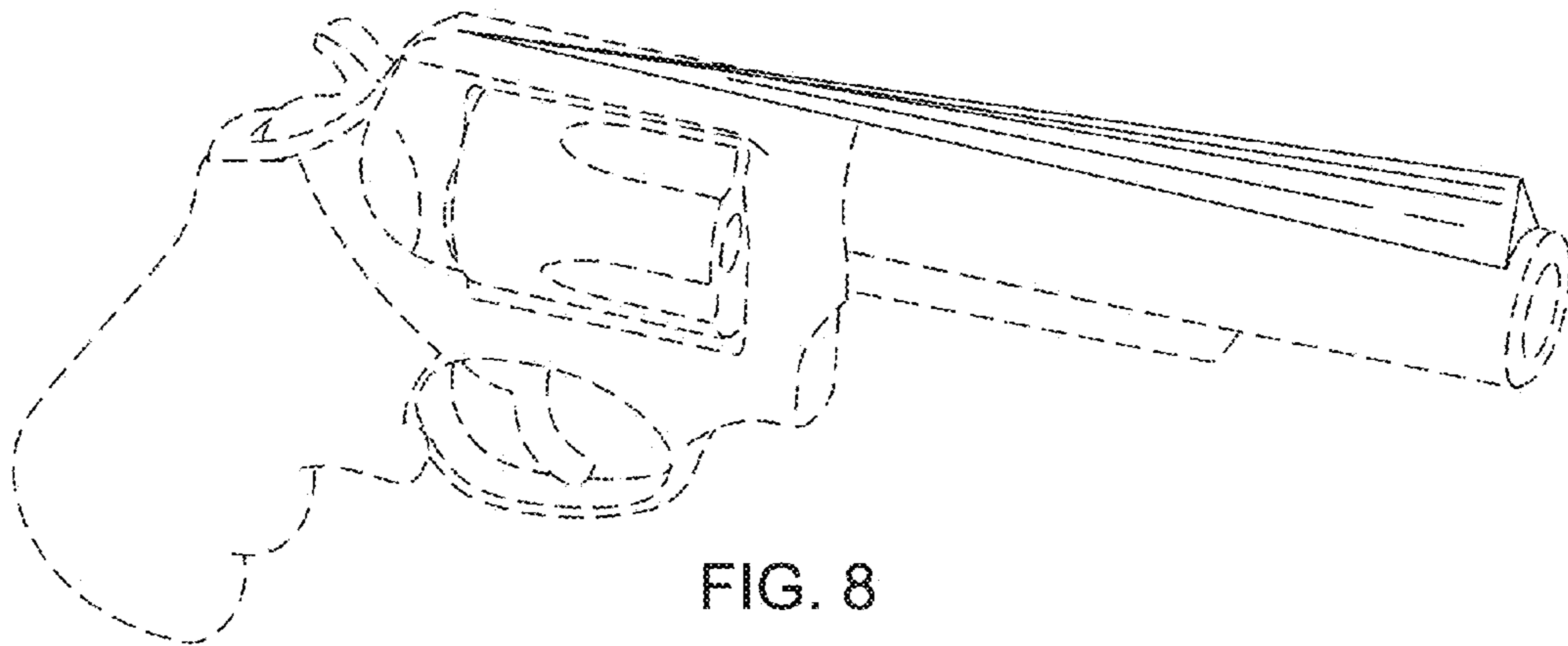


FIG. 8



FIG. 9



FIG. 10

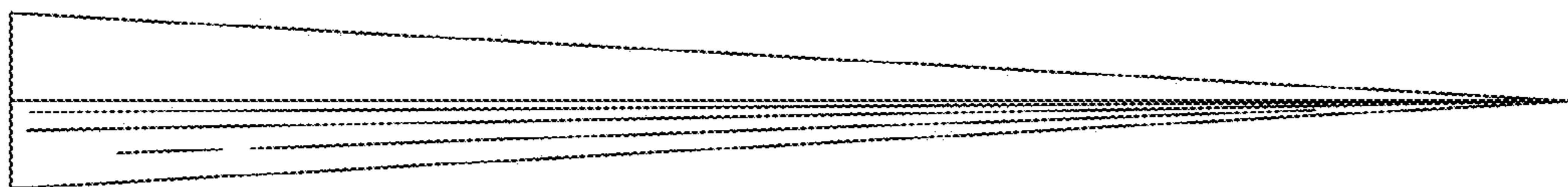


FIG. 11

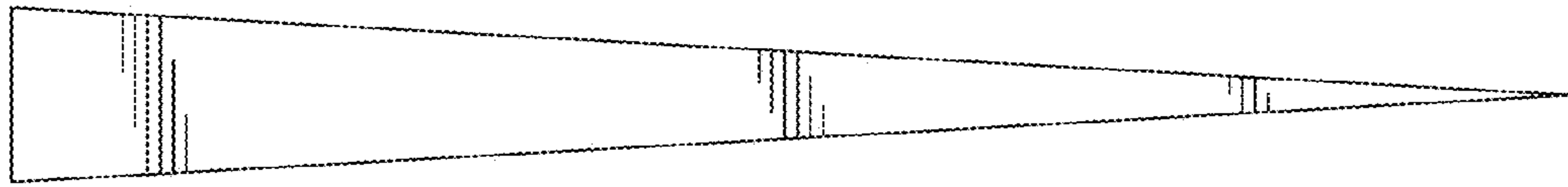


FIG. 12

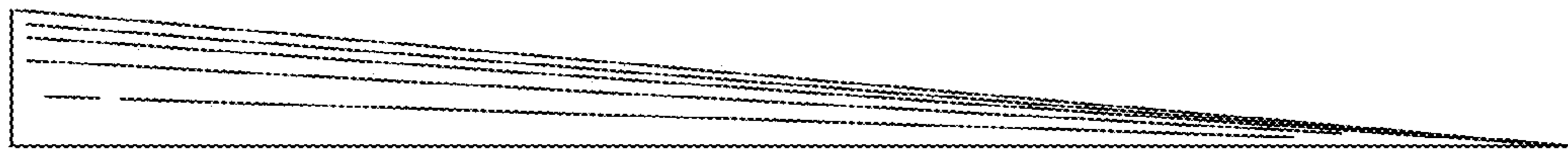


FIG. 13

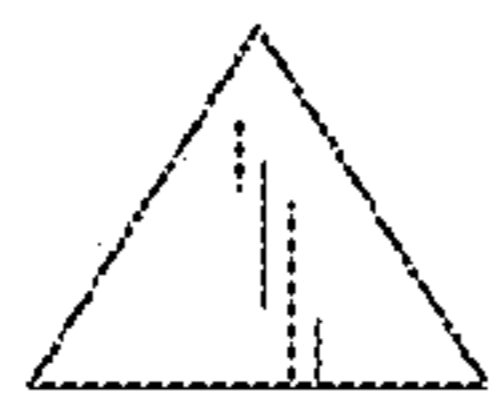


FIG. 14

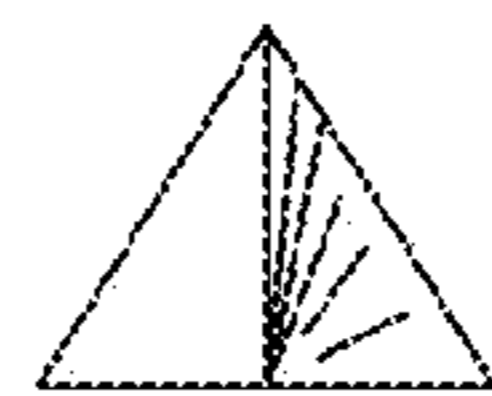


FIG. 15

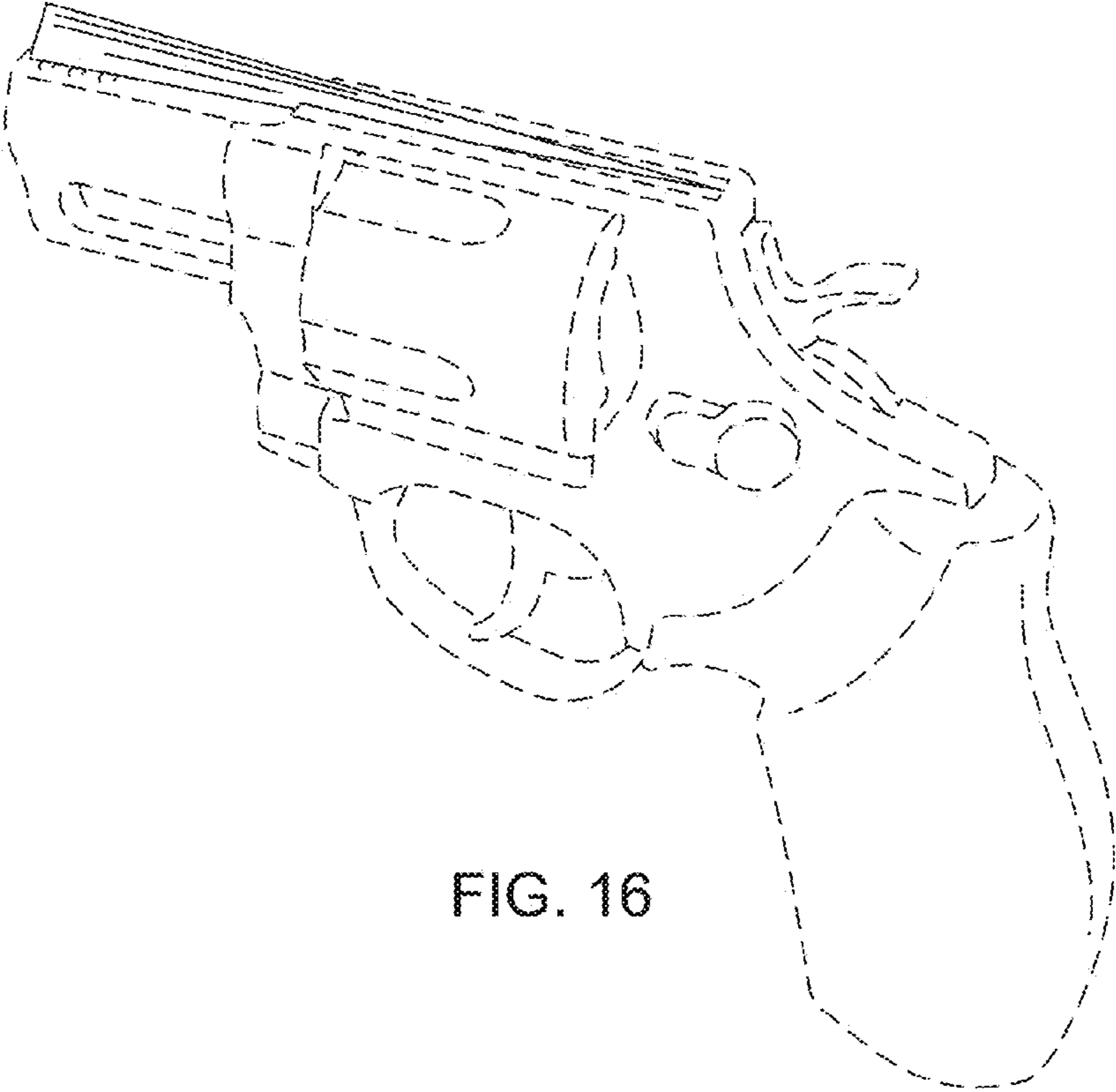


FIG. 16

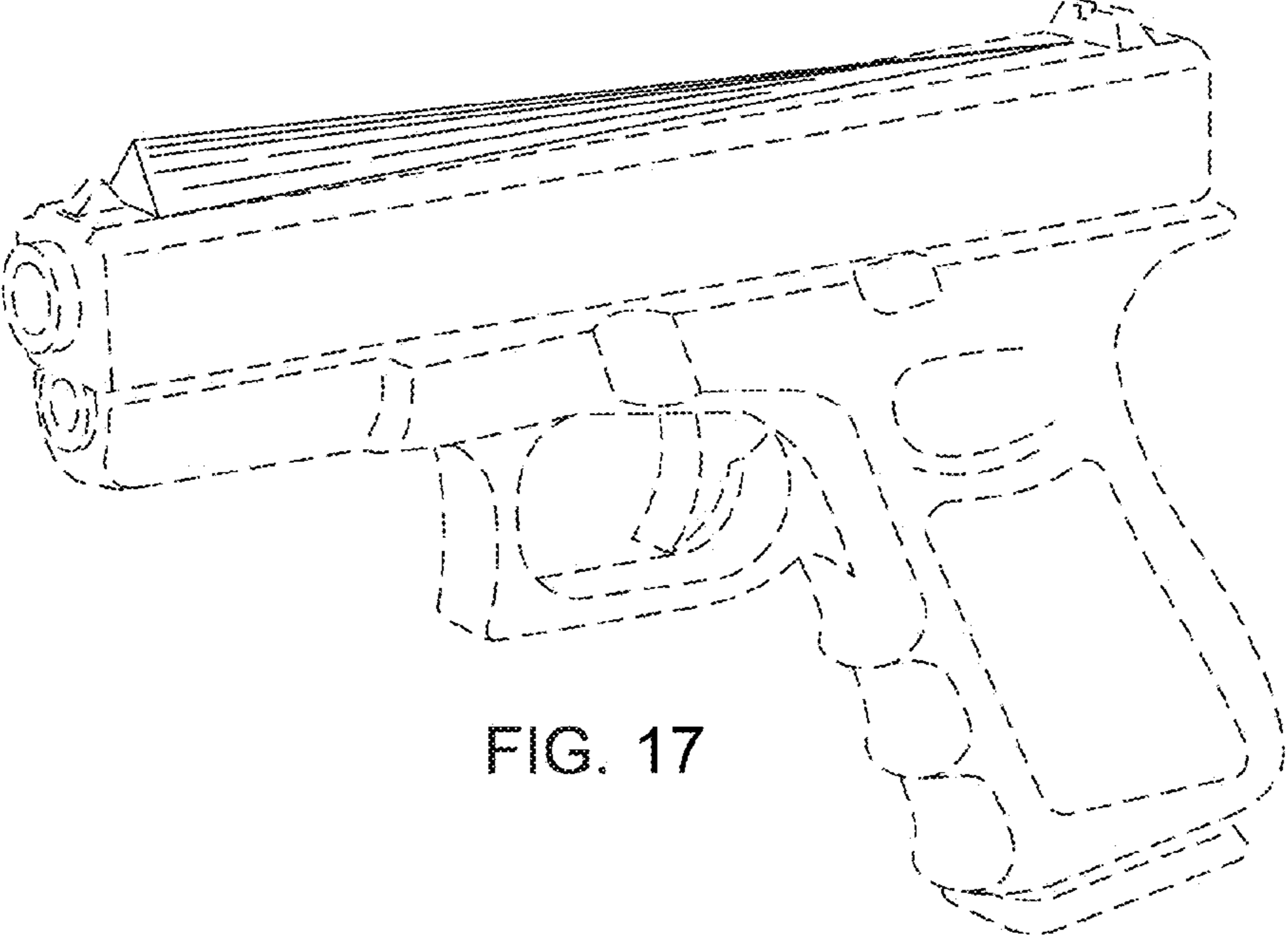


FIG. 17

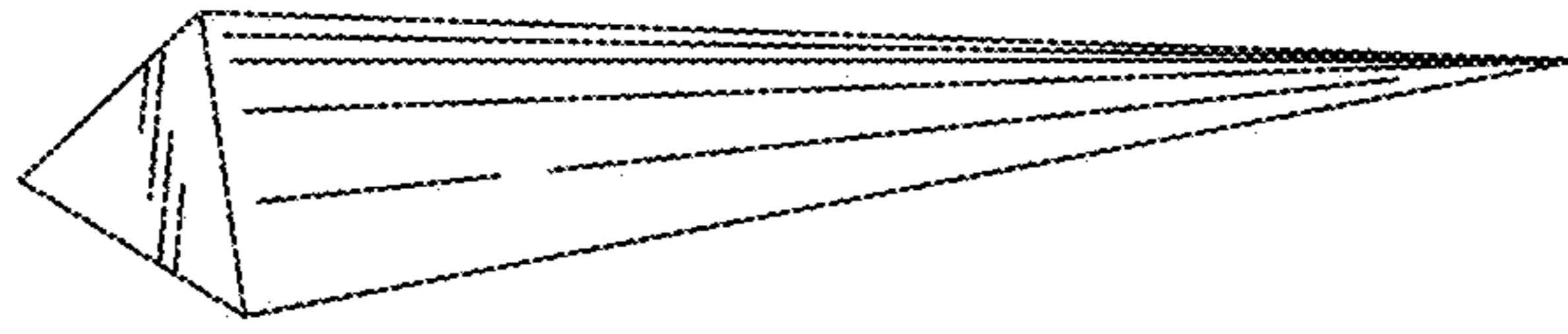


FIG. 18

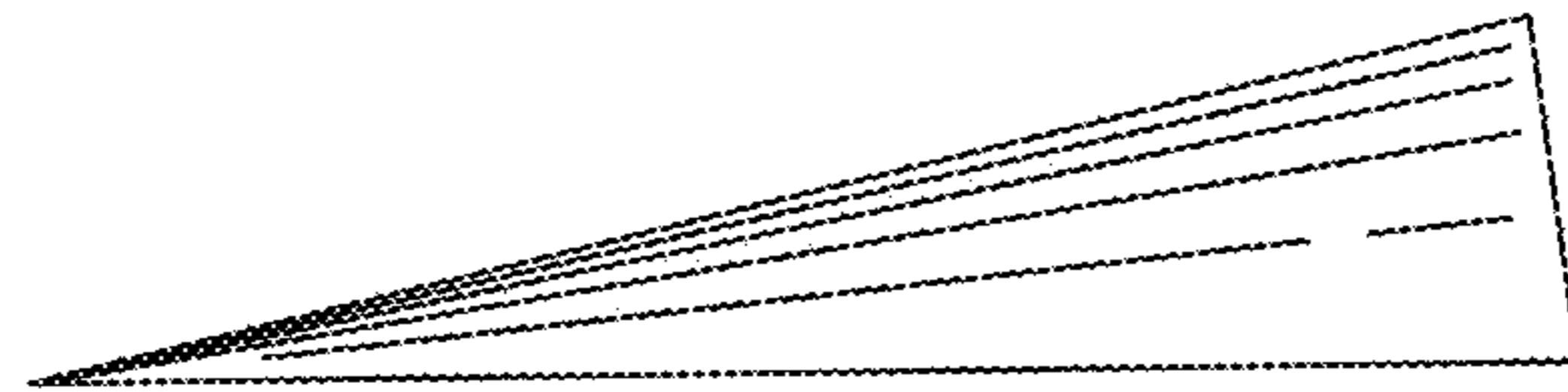


FIG. 19

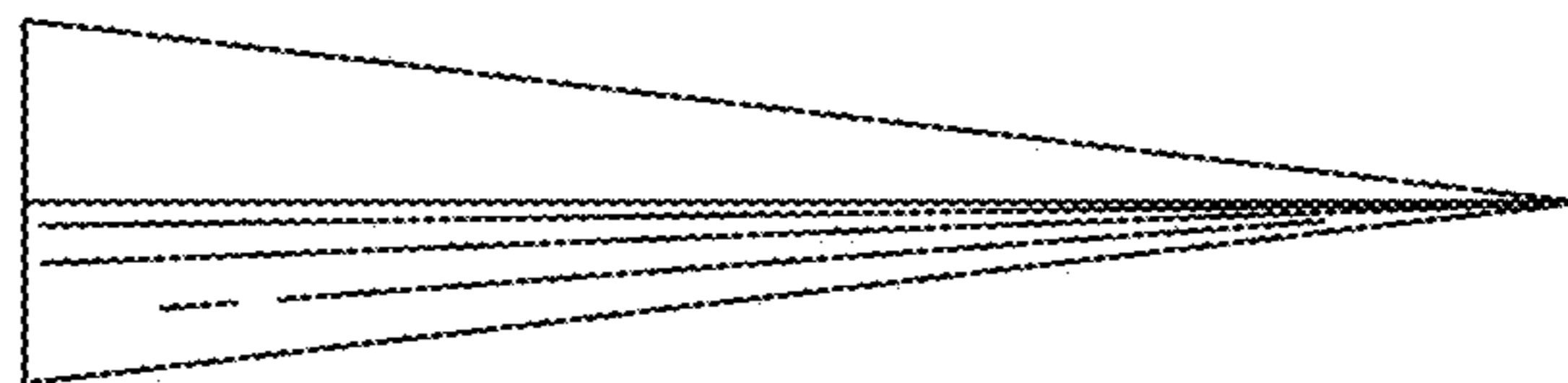


FIG. 20

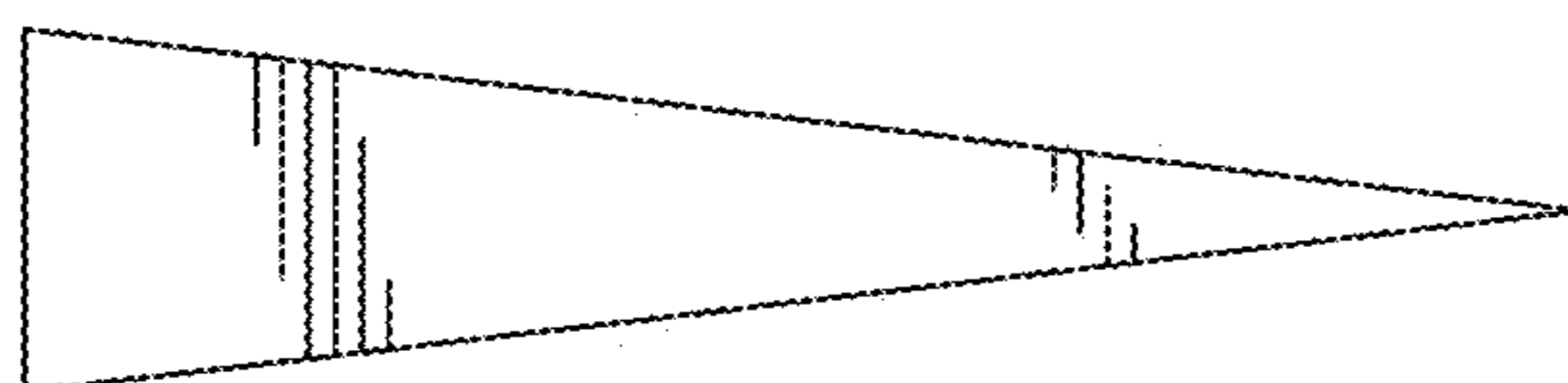


FIG. 21



FIG. 22



FIG. 23

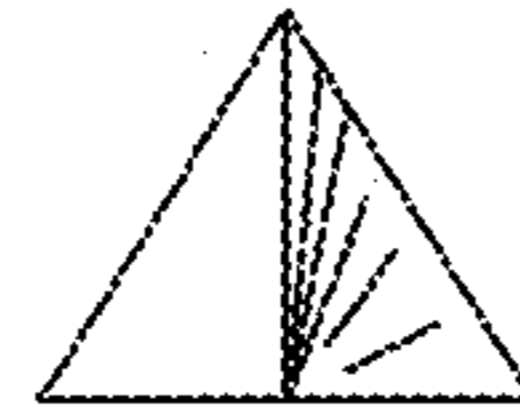


FIG. 24

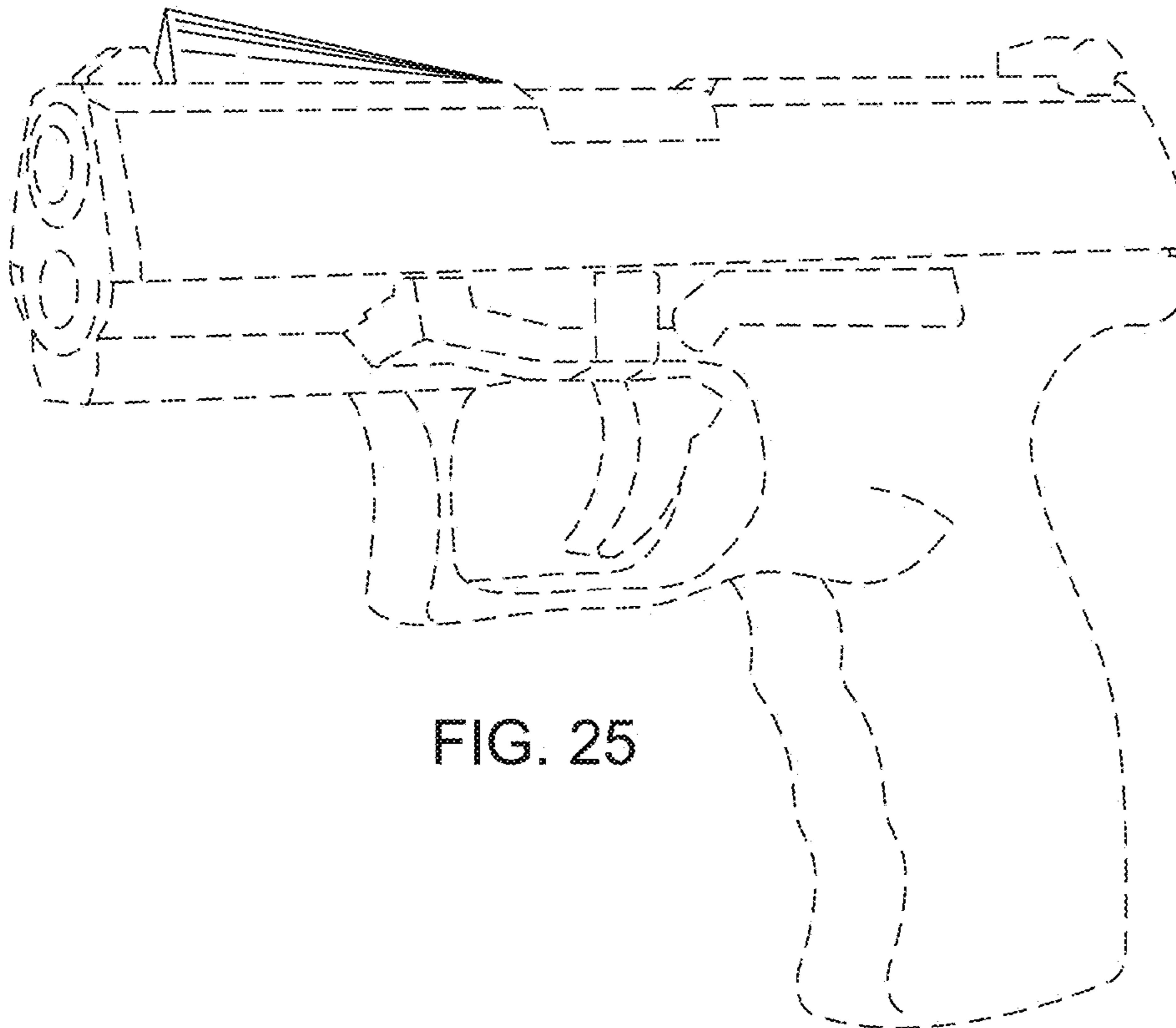


FIG. 25