



US00D746404S

(12) **United States Design Patent**  
**Chow et al.**

(10) **Patent No.:** **US D746,404 S**

(45) **Date of Patent:** **\*\* Dec. 29, 2015**

(54) **FIREARM QUICK DETACH MOUNT FOR A SLING**

(71) Applicant: **Magpul Industries Corporation**, Erie, CO (US)

(72) Inventors: **Eric H. Chow**, Highlands Ranch, CO (US); **Michael T. Mayberry**, Denver, CO (US); **Christopher F. Miller**, Erie, CO (US); **William B. Bennett**, Lafayette, CO (US)

(73) Assignee: **Magpul Industries Corporation**, Louisville, CO (US)

(\*\*) Term: **14 Years**

(21) Appl. No.: **29/503,188**

(22) Filed: **Sep. 24, 2014**

(51) **LOC (10) Cl.** ..... **22-01**

(52) **U.S. Cl.**  
USPC ..... **D22/108**

(58) **Field of Classification Search**  
USPC ..... D22/108; D8/349, 367, 373, 382  
CPC .... F41C 33/002; F41C 33/001; F41C 33/006;  
F41C 33/007; F41C 23/02; A45F 2003/142;  
A45F 3/12  
See application file for complete search history.

(56) **References Cited**

U.S. PATENT DOCUMENTS

2,771,699	A *	11/1956	Herter	.....	F41C 23/02 42/85
3,066,375	A *	12/1962	Knowles	.....	F41C 23/02 24/639
3,226,872	A *	1/1966	Pachmayr	.....	F41C 23/02 42/85
3,882,576	A *	5/1975	Kanno	.....	A45C 11/38 24/658
D667,914	S	9/2012	Storch		
2010/0199541	A1 *	8/2010	Vest	.....	F41C 23/02 42/85
2013/0305582	A1 *	11/2013	Mayberry	.....	F41C 33/006 42/85

2015/0219422	A1 *	8/2015	Kinzel	.....	F41C 27/00 29/525.11
2015/0260471	A1 *	9/2015	Azhocar	.....	F41A 11/00 42/90
2015/0285583	A1 *	10/2015	Mayberry	.....	F41C 23/16 42/71.01
2015/0285584	A1 *	10/2015	Mayberry	.....	F41C 23/16 42/71.01

OTHER PUBLICATIONS

Amazon\_Noveske\_Qd\_Direct\_Attach\_Sling\_Mount Amazon Noveske Qd Direct Attach Sling Mount; Website [Online] Available Website: <http://www.amazon.com/Noveske-Direct-Attach-Sling-Mount/dp/B009LLUU4U>; Last Update: Unknown; Accessed on: Dec. 1, 2014.

(Continued)

Primary Examiner — Michael A Pratt

(74) Attorney, Agent, or Firm — Swanson & Bratschun, L.L.C.

(57) **CLAIM**

The ornamental design for a firearm quick detach mount for a sling, as shown and described.

**DESCRIPTION**

FIG. 1 is a front, left perspective view of a firearm quick detach mount for a sling of the present invention shown on a firearm;

FIG. 2 is a front, top, left perspective view of the firearm quick detach mount for a sling of FIG. 1;

FIG. 3 is a front elevation view of the firearm quick detach mount for a sling of FIG. 1;

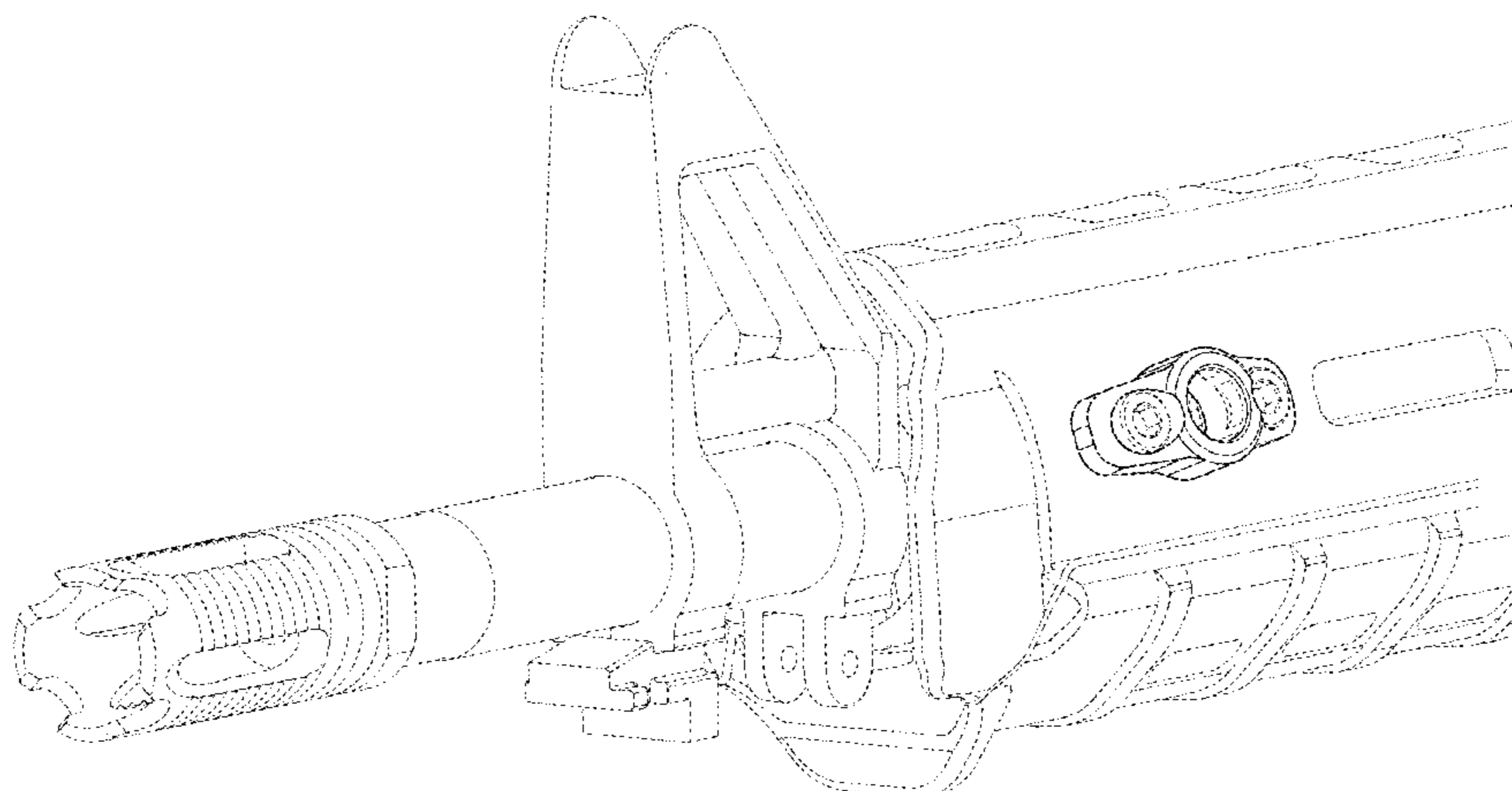
FIG. 4 is a rear elevation view of the firearm quick detach mount for a sling of FIG. 1;

FIG. 5 is top plan view of the firearm quick detach mount for a sling of FIG. 1, the bottom plan view being a mirror image thereof; and,

FIG. 6 is a right side elevation view of the firearm quick detach mount for a sling of FIG. 1, the left side being a mirror image thereof.

The broken lines showing portions of the design in all figures are included for the purpose of illustrating environment and unclaimed features and form no part of the claimed design.

**1 Claim, 3 Drawing Sheets**



(56)

**References Cited**

## OTHER PUBLICATIONS

Amazon\_Troy\_Industries\_QD\_360\_Push\_Button\_Rail\_Mount\_Swivel Amazon Troy Industries Q.D. 360 Push Button Rail Mount with Swivel; Website [Online] Available Website: [http://www.amazon.com/Troy-Industries-Button-Mount-Swivel/dp/B001QAC0OC/ref=sr\\_1\\_12?ie=UTF8&qid=1414449525&sr=8-12&keywords=qd+sling+mounts](http://www.amazon.com/Troy-Industries-Button-Mount-Swivel/dp/B001QAC0OC/ref=sr_1_12?ie=UTF8&qid=1414449525&sr=8-12&keywords=qd+sling+mounts); Last Update: Unknown; Accessed on: Dec. 2, 2014.

BravoCompanyUSA\_2014\_BCMGUNFIGHTER\_KeyMod\_Quick BravoCompanyUSA (Aug. 11, 2014) BCMGUNFIGHTER KeyMod--™ Quick Detachable Sling Mount; Website [Online] Available Website: <http://www.bravocompanyusa.com/BCMGUNFIGHTER-KeyMod-Quick-Detachable-Sling-Mo-p/bcm-kmsm.htm>; Last Update: Unknown; Accessed on: Dec. 2, 2014.

BravoCompanyUSA\_Daniel\_Defense\_Rail\_Mount\_QD\_Swivel\_Attachment BravoCompanyUSA Daniel Defense Rail Mount QD Swivel Attachment Point w/HD QD Sling Swivel (Rock & Lock); Website [Online] Available Website: <http://www.bravocompanyusa.com/Daniel-Defense-Rail-Mount-QD-Swivel-Attachment-Poi-p/dd-30029.htm>; Last Update: Unknown; Accessed on: Dec. 2, 2014.

DSGArms\_IWC\_QD\_Rotation\_Limited\_Sling\_MOUNT\_N\_SLOT\_for\_Buttstock DSGArms IWC QD Rotation Limited Sling MOUNT-N-SLOT for Buttstock; Website [Online] Available Website: <https://dsgarms.com/iwcsqdribs>; Last Update: Unknown; Accessed on: Dec. 1, 2014.

Geissele\_Quick\_Detach\_Swivel\_Mount Geissele Quick Detach Swivel Mount; Website [Online] Available Web Site: <http://geissele.com/45-quick-detach-swivel-mount.html>; Last Update: Unknown; Accessed on: Dec. 30, 2013.

Impact\_Weapons\_Components\_2011\_QD\_Micro\_Flush\_QD\_Sling\_Mount Impact Weapons Components (Sep. 14, 2011) QD Micro Flush QD Sling Mount; Website [Online] Available Website: <http://www.impactweaponscomponents.com/product/qd-micro-mount/>; Last Update: Sep. 28, 2014; Accessed on: Dec. 1, 2014.

M4Carbine\_Midwest\_Industries\_M\_LOK\_QD\_Sling\_Socket M4Carbine Midwest Industries M-LOK QD Sling Socket; Website [Online] Available Website: <http://www.m4carbine.net/showthread.php?158561-Midwest-Industries-M-LOK-QD-Sling-Socket>; Last Update: Unknown; Accessed on: Dec. 1, 2014.

MidwayUSA\_ERGO\_Picatinny\_Rail\_Sling\_Mount MidwayUSA ERGO Picatinny Rail Sling Mount Fixed HK Loop Aluminum Matte; Website [Online] Available Website: <http://www.midwayusa.com/product/565658/ergo-picatinny-rail-sling-mount-fixed-hk-loop-aluminum-matte>; Last Update: Unknown; Accessed on Dec. 2, 2014.

Noveske\_2014\_Flush\_QD\_Sling\_Mount Noveske (Jul. 12, 2014) Flush QD Sling Mount; Website [Online] Available Website: <http://www.shopnoveske.com/products/flush-qd-sling-mount>; Last Update: Unknown; Accessed on: Dec. 1, 2014.

PrimaryArmscom\_Gear\_Sector\_Rail\_Mount PrimaryArms.com Gear Sector Rail Mount QD Swivel Black GS-3050; Website [Online] Available Website: [https://www.primaryarms.com/Gear\\_Sector\\_Rail\\_Mount\\_QD\\_Swivel\\_Black\\_p/gs-3050.htm](https://www.primaryarms.com/Gear_Sector_Rail_Mount_QD_Swivel_Black_p/gs-3050.htm); Last Update: Unknown; Accessed on: Dec. 2, 2014.

RainierArms\_BCM\_GUNFIGHTER\_KeyMod\_QD\_Sling\_Mount Rainier Arms BCM GUNFIGHTER KeyMod QD Sling Mount; Website [Online] Available Website: <http://www.rainierarms.com/bcm-gunfighter-keymod-qd-sling-mount>; Last Update: Unknown; Accessed on: Jan. 15, 2015.

RainierArms\_Fortis\_KeyMod\_QD\_Sling\_Mount\_Black Rainier Arms Fortis KeyMod QD Sling Mount Black; Website [Online] Available Website: <http://www.rainierarms.com/fortis-keymod-qd-sling-mount-black>; Last Update: Unknown; Accessed on: Jan. 15, 2015.

RainierArms\_Fortis\_Rail\_Attachment\_Point Rainier Arms Fortis Rail Attachment Point; Website [Online] Available Website: <http://www.rainierarms.com/fortis-rail-attachment-point>; Last Update: Unknown; Accessed on: Jan. 15, 2015.

RainierArms\_Gear\_Sector\_Rail\_Mount\_QD\_Socket\_Foliage\_Green Rainier Arms Gear Sector Rail Mount QD Socket: Foliage Green; Website [Online] Available Website: <http://www.rainierarms.com/gear-sector-rail-mount-qd-socket-foliage-green>; Last Update: Unknown; Accessed on: Jan. 15, 2015.

RainierArms\_MI\_Sling\_Mount\_for\_Tactical\_Rail Rainier Arms MI Sling Mount for Tactical Rails w/ Quick Detach Swivel; Website [Online] Available Website: <http://www.rainierarms.com/mi-sling-mount-for-tactical-rails-w-quick-detach-swivel>; Last Update: Unknown; Accessed on: Jan. 15, 2015.

RainierArms\_Noveske\_QD\_Flush\_Mount Rainier Arms Noveske QD Flush Mount; Website [Online] Available Website: <http://www.rainierarms.com/noveske-qd-flush-mount-6025>; Last Update: Unknown; Accessed on: Jan. 15, 2015.

RainierArms\_Viking\_Tactics\_Low\_Profile\_Sling\_Mount Rainier Arms Viking Tactics Low Profile Sling Mount; Website [Online] Available Website: <http://www.rainierarms.com/viking-tactics-low-profile-sling-mount>; Last Update: Unknown; Accessed on: Jan. 15, 2015.

RainierArms\_Viking\_Tactics\_Rail\_Less\_Sling\_Swivel\_Mount Rainier Arms Viking Tactics Rail-Less Sling Swivel Mount; Website [Online] Available Website: <http://www.rainierarms.com/viking-tactics-rail-less-sling-swivel-mount>; Last Update: Unknown; Accessed on: Jan. 15, 2015.

The\_Firearm\_Blog\_2013\_Ultra\_Low\_Profile\_Picatinny\_Sling\_Attachment\_Prototype TheFirearmBlog.com (2013) Ultra Low Profile Picatinny Sling Attachment Prototype; Website [Online] Available Website: <http://www.thefirearmblog.com/blog/2013/10/21/ultra-profile-picatinny-sling-attachment-prototype/#sthash.Euj2fjxM.dpuf>; Last Update: Dec. 29, 2013; Accessed on: Jan. 15, 2015.

Design U.S. Appl. No. 29/477,465, "Plate for Adapting a Firearm Quick Detach for a Sling" filed Dec. 23, 2013.

\* cited by examiner

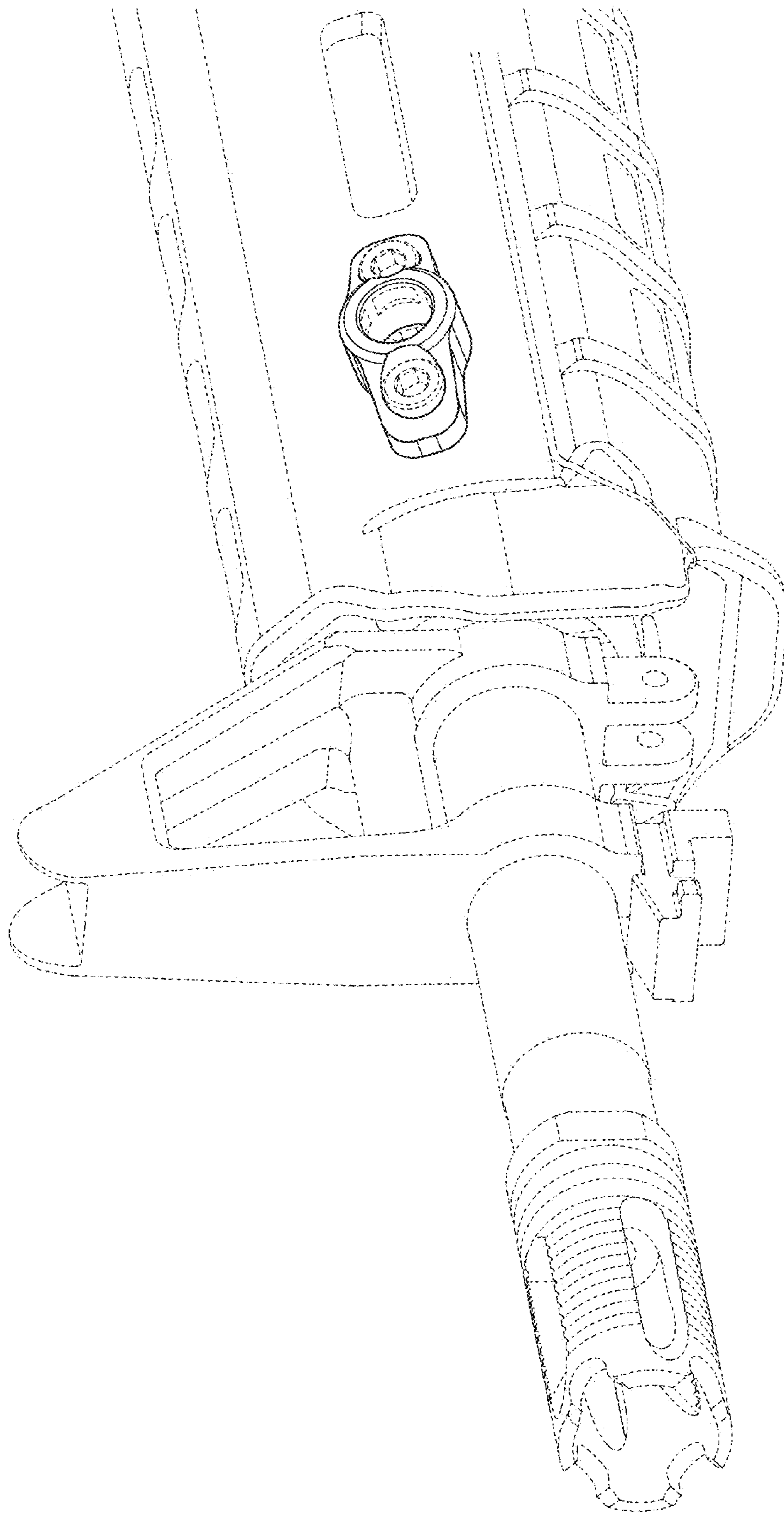


FIG. 1

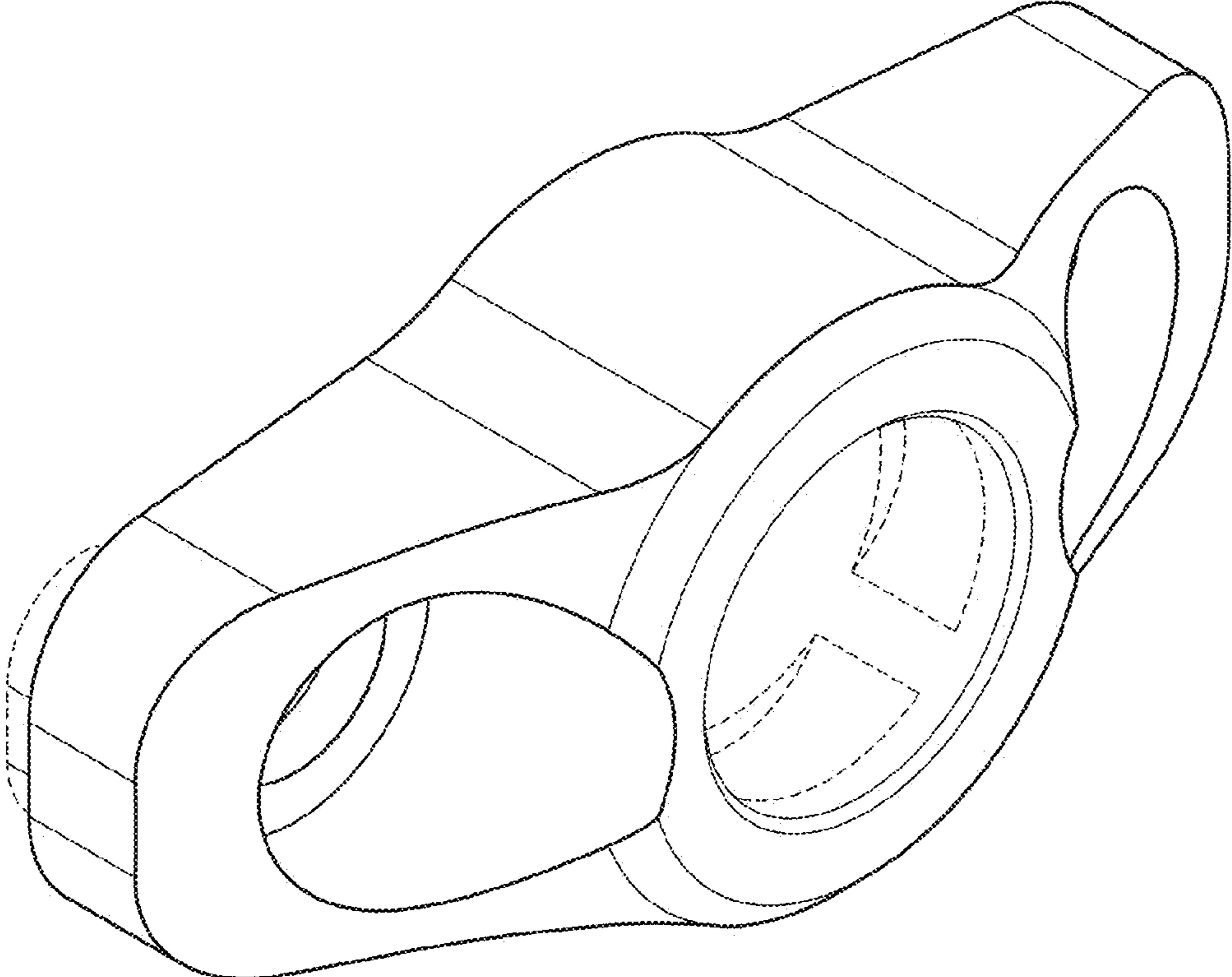


FIG. 2

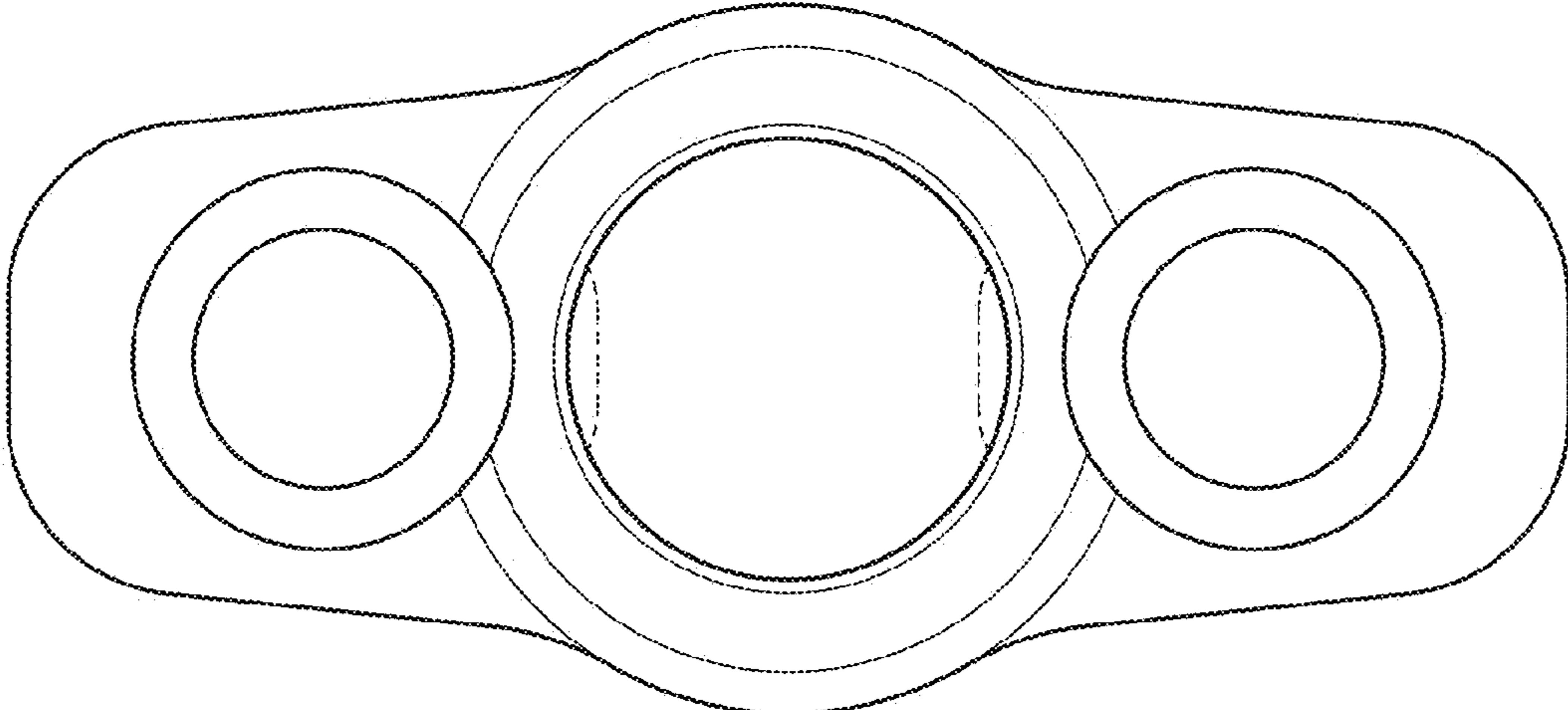


FIG. 3

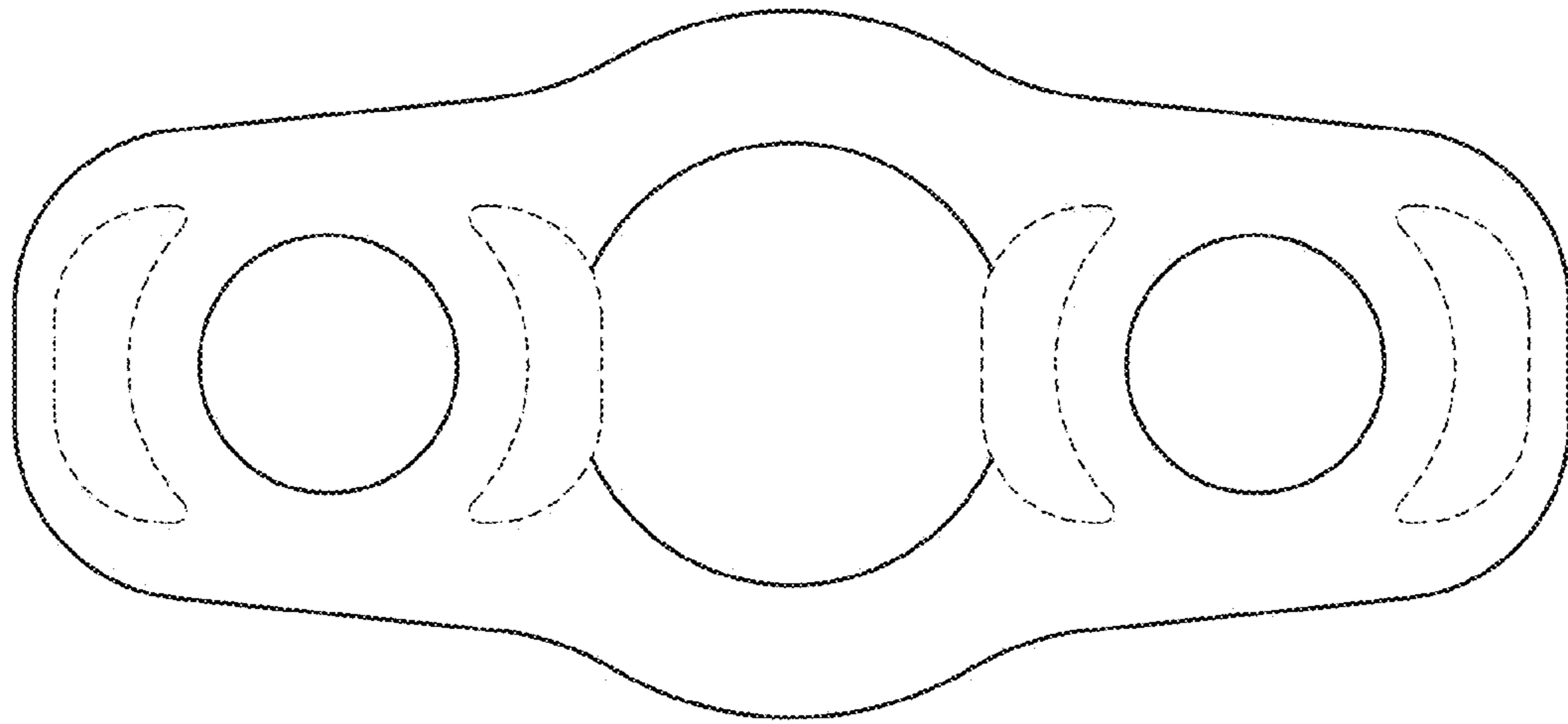


FIG. 4

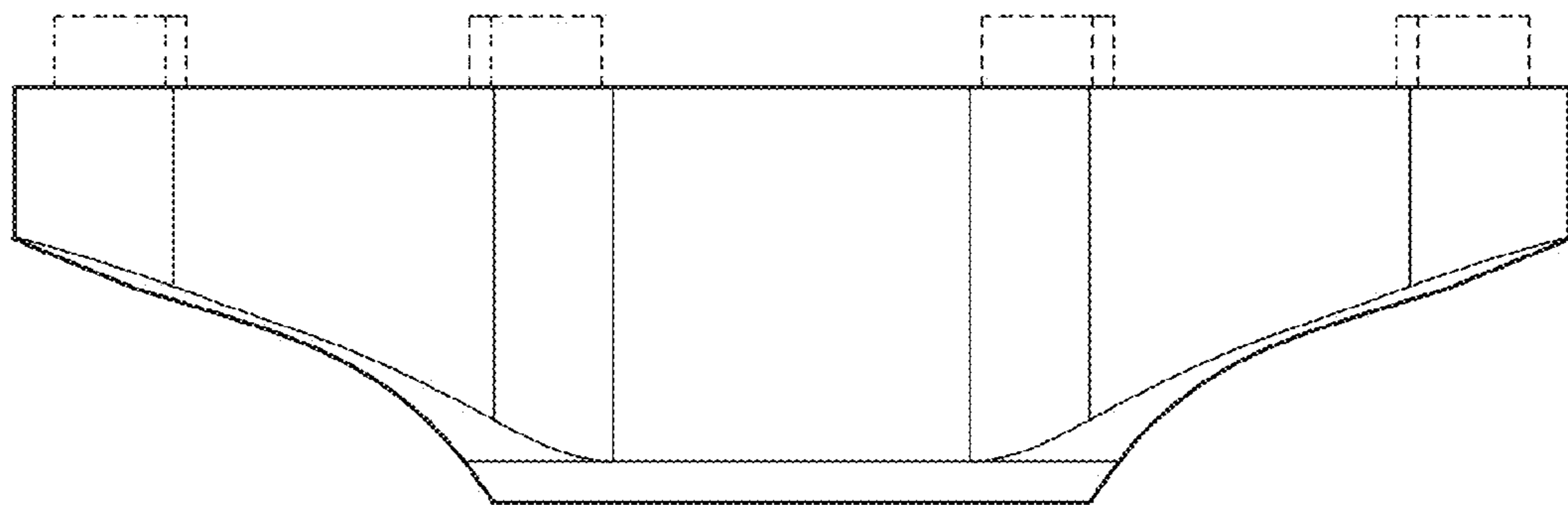


FIG. 5

FIG. 6

