



US00D746402S

(12) **United States Design Patent**
Siddle

(10) **Patent No.:** **US D746,402 S**

(45) **Date of Patent:** **** Dec. 29, 2015**

(54) **SEAR ASSEMBLY FOR A STRIKER FIRED HANDGUN**

(71) Applicant: **Double Nickel Holdings, LLC**,
Millstadt, IL (US)

(72) Inventor: **Kevin Siddle**, Millstadt, IL (US)

(73) Assignee: **Double Nickel Holdings, LLC**,
Millstadt, IL (US)

(**) Term: **14 Years**

(21) Appl. No.: **29/499,396**

(22) Filed: **Aug. 14, 2014**

(51) **LOC (10) Cl.** **22-01**

(52) **U.S. Cl.**
USPC **D22/108**

(58) **Field of Classification Search**
USPC D22/108
CPC F41A 19/10; F41A 19/12; F41A 19/44;
F41A 19/31

See application file for complete search history.

(56) **References Cited**

U.S. PATENT DOCUMENTS

2,618,878	A *	11/1952	Mulno	F41A 3/68 42/16
3,397,474	A *	8/1968	Badali	A41A 17/56 42/70.04
3,949,509	A *	4/1976	Larsson	F41A 17/32 42/70.01
4,275,640	A	6/1981	Wilhelm		
4,555,861	A	12/1985	Khoury		
H144 H *		10/1986	Savioli	F41A 19/33 89/142
4,825,744	A	5/1989	Glock		
5,050,480	A	9/1991	Knight, Jr. et al.		
5,157,209	A	10/1992	Dunn		

(Continued)

Primary Examiner — Michael A Pratt

(74) *Attorney, Agent, or Firm* — Thompson Coburn LLP

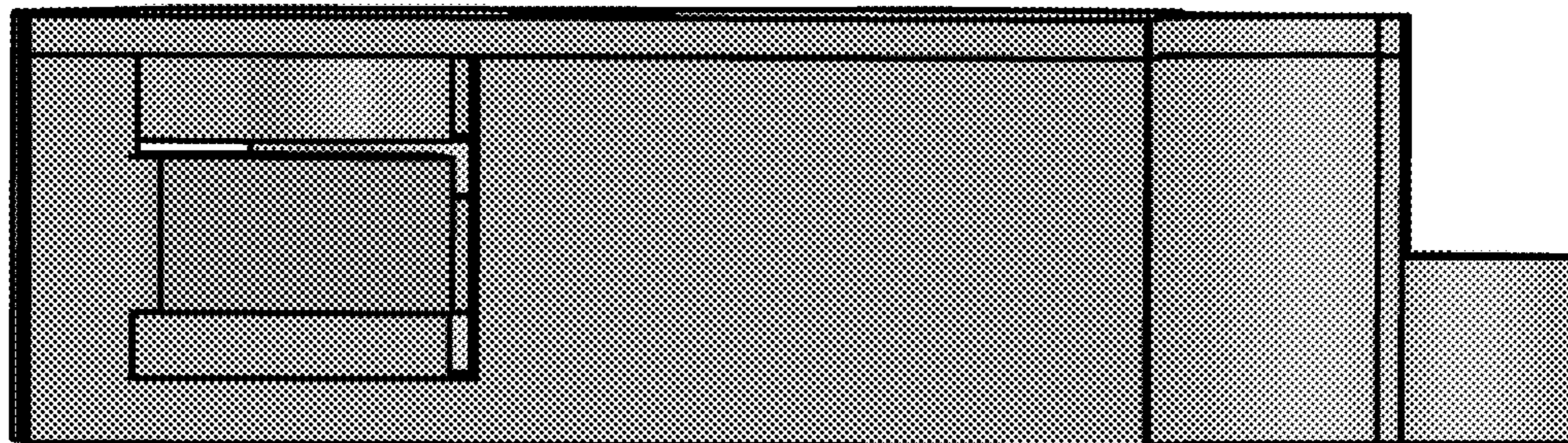
(57) **CLAIM**

An ornamental design for a sear assembly for a striker fired handgun, as shown and described.

DESCRIPTION

FIG. 1 is a top perspective view of our new design of a sear assembly for a striker fired handgun;
 FIG. 2 is a front, bottom perspective view of the sear assembly of FIG. 1;
 FIG. 3 is a back, bottom rear perspective view of the sear assembly of FIG. 1;
 FIG. 4 is a front, left side perspective view of the sear assembly of FIG. 1;
 FIG. 5 is an front, right side perspective view of the sear assembly of FIG. 1;
 FIG. 6 is an alternate back, bottom perspective view of the sear assembly of FIG. 1;
 FIG. 7 is a bottom view of the sear assembly of FIG. 1;
 FIG. 8 is a back, right side perspective view of the sear assembly of FIG. 1;
 FIG. 9 is an alternative front, right side perspective view of the sear assembly of FIG. 1;
 FIG. 10 is a back, left side perspective view of the sear assembly of FIG. 1;
 FIG. 11 is a front view of the sear assembly of FIG. 1;
 FIG. 12 is an alternative bottom view of the sear assembly of FIG. 1;
 FIG. 13 is an alternative bottom view of the sear assembly of FIG. 1;
 FIG. 14 is a left side view of the sear assembly of FIG. 1;
 FIG. 15 is a right side view of the sear assembly of FIG. 1;
 FIG. 16 is an alternative top, back, left side perspective view of the sear assembly of FIG. 1;
 FIG. 17 is an alternative bottom, front perspective view of the sear assembly of FIG. 1; and,
 FIG. 18 is an alternative front, left side perspective view of the sear assembly of FIG. 1.

1 Claim, 12 Drawing Sheets



(56)

References Cited

U.S. PATENT DOCUMENTS

5,166,458	A	11/1992	Yoo	8,966,802	B1 *	3/2015	Findlay	F41A 19/12 42/69.01
5,386,659	A	2/1995	Vaid et al.	9,046,313	B1 *	6/2015	Lutton	F41A 17/46
5,701,698	A	12/1997	Wesp et al.	2010/0175292	A1 *	7/2010	Young	F41A 17/46 42/70.06
5,822,903	A	10/1998	Davis, Sr.	2011/0041680	A1	2/2011	Smirnov	
5,906,066	A	5/1999	Felk	2012/0096753	A1 *	4/2012	Pichler	F41A 19/12 42/69.01
5,915,934	A	6/1999	Knight et al.	2012/0117841	A1	5/2012	Joubert et al.	
6,283,006	B1	9/2001	Szabo et al.	2012/0117842	A1 *	5/2012	Popikov	F41A 19/16 42/69.01
6,347,474	B1	2/2002	Wolff, Jr.	2014/0246003	A1 *	9/2014	Lipowski	F41A 17/46 124/25
6,560,909	B2	5/2003	Cominoli					
7,617,628	B2	11/2009	Curry					
8,720,096	B2	5/2014	Siddle					
8,931,393	B1 *	1/2015	Vincent	F41A 17/46 42/70.06				

* cited by examiner

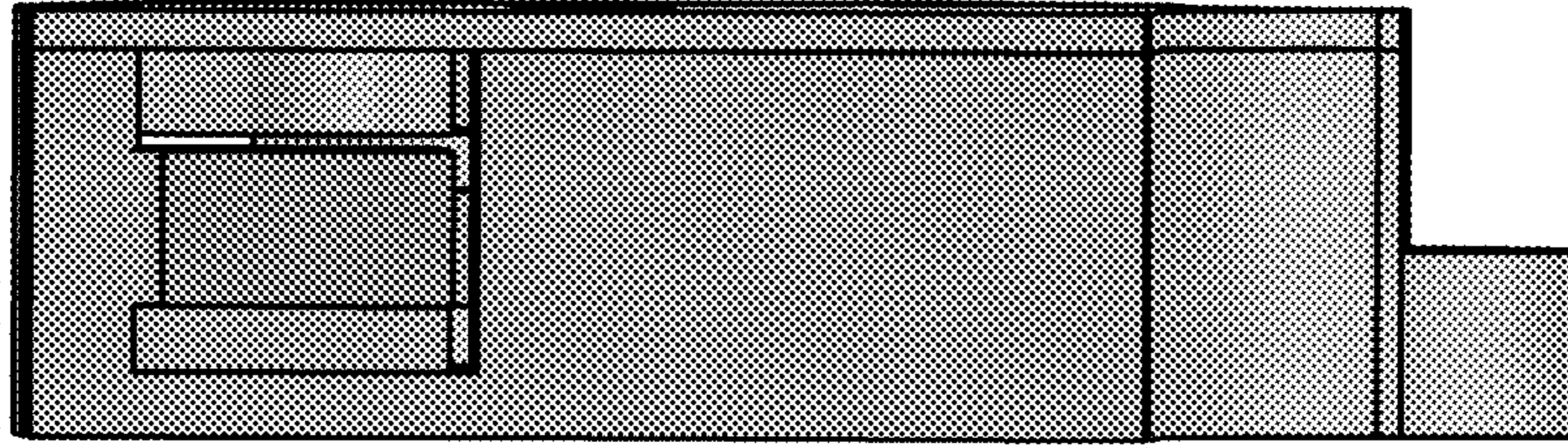


Fig. 1

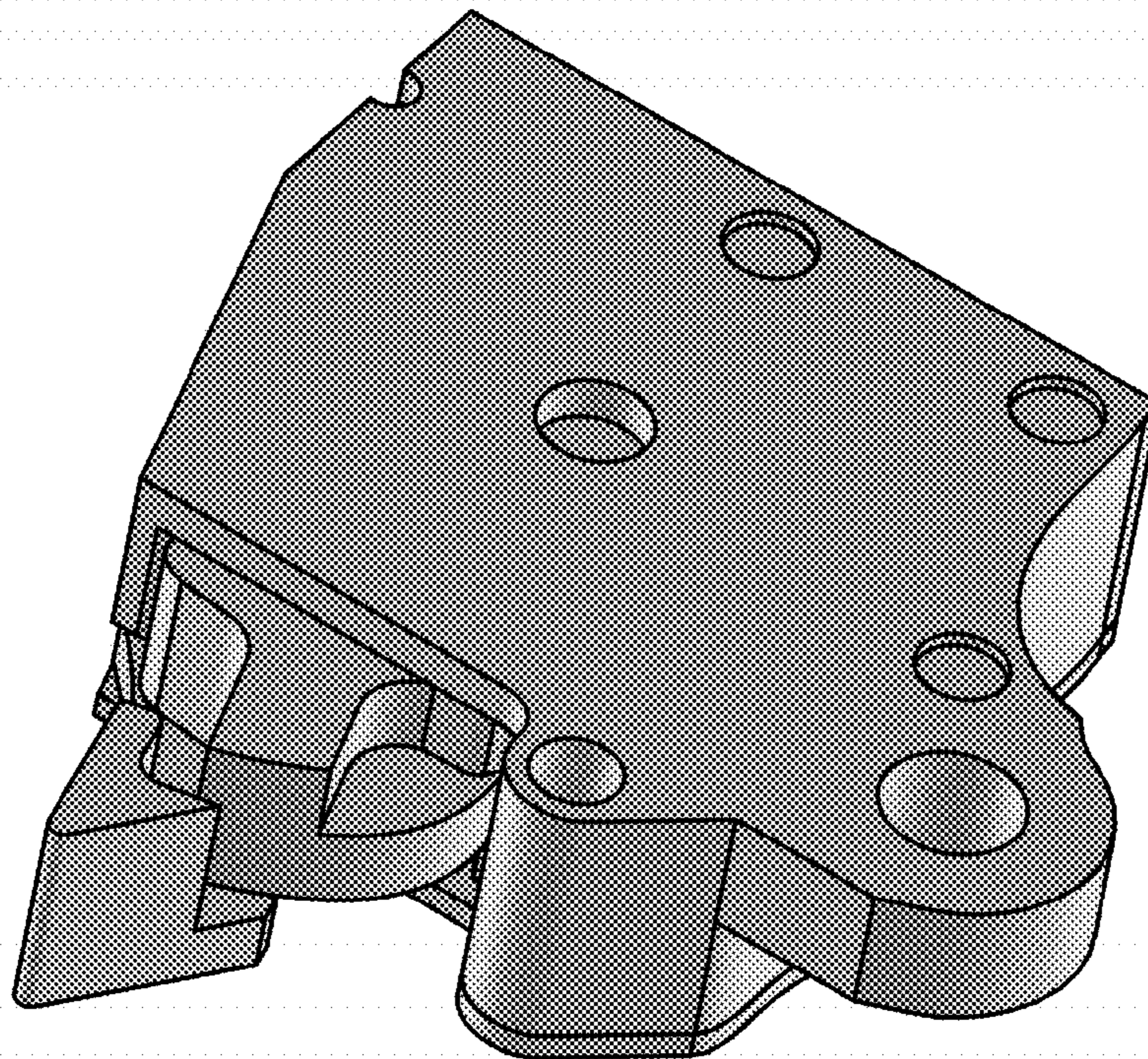


Fig. 2

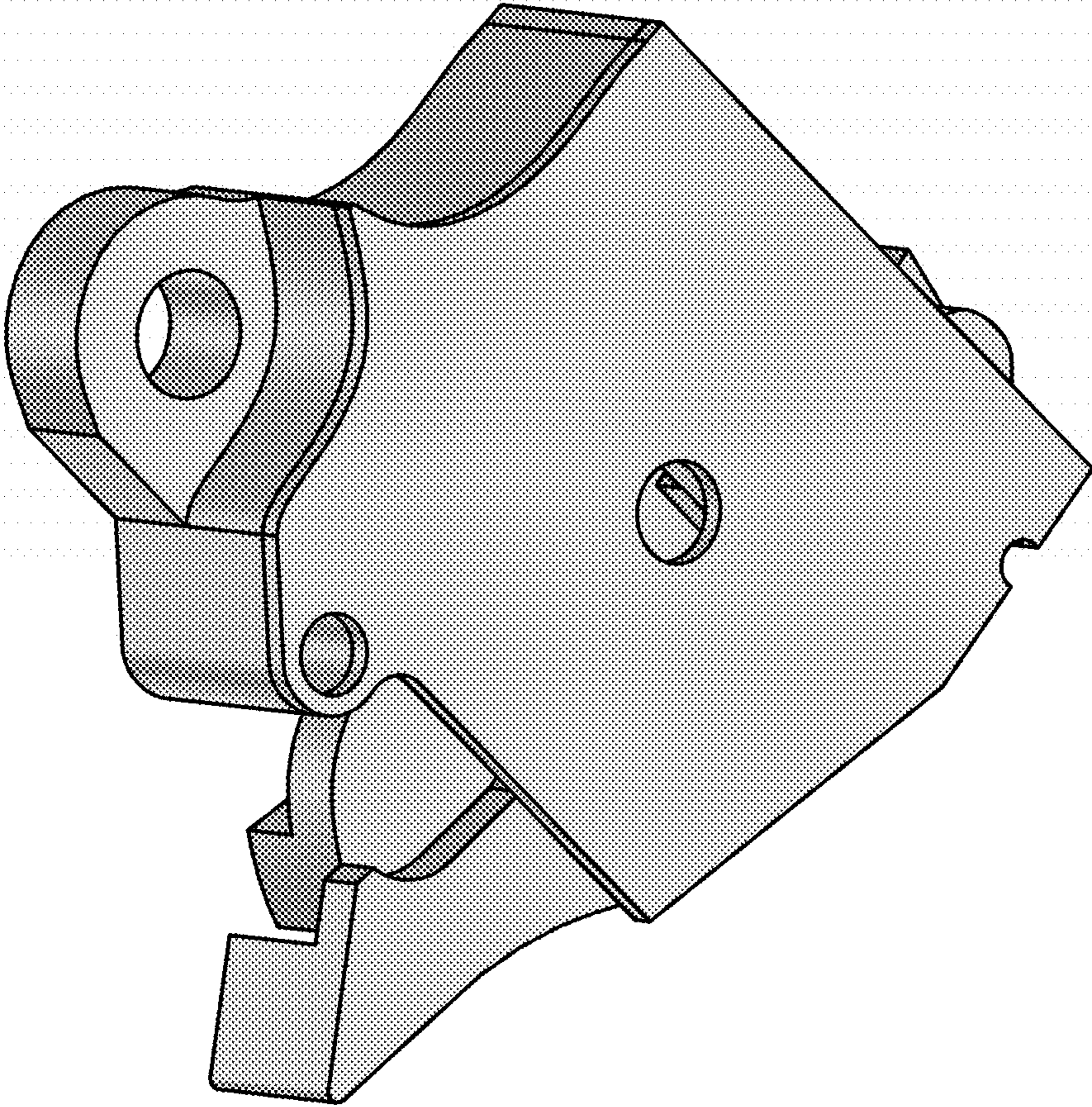


Fig. 3

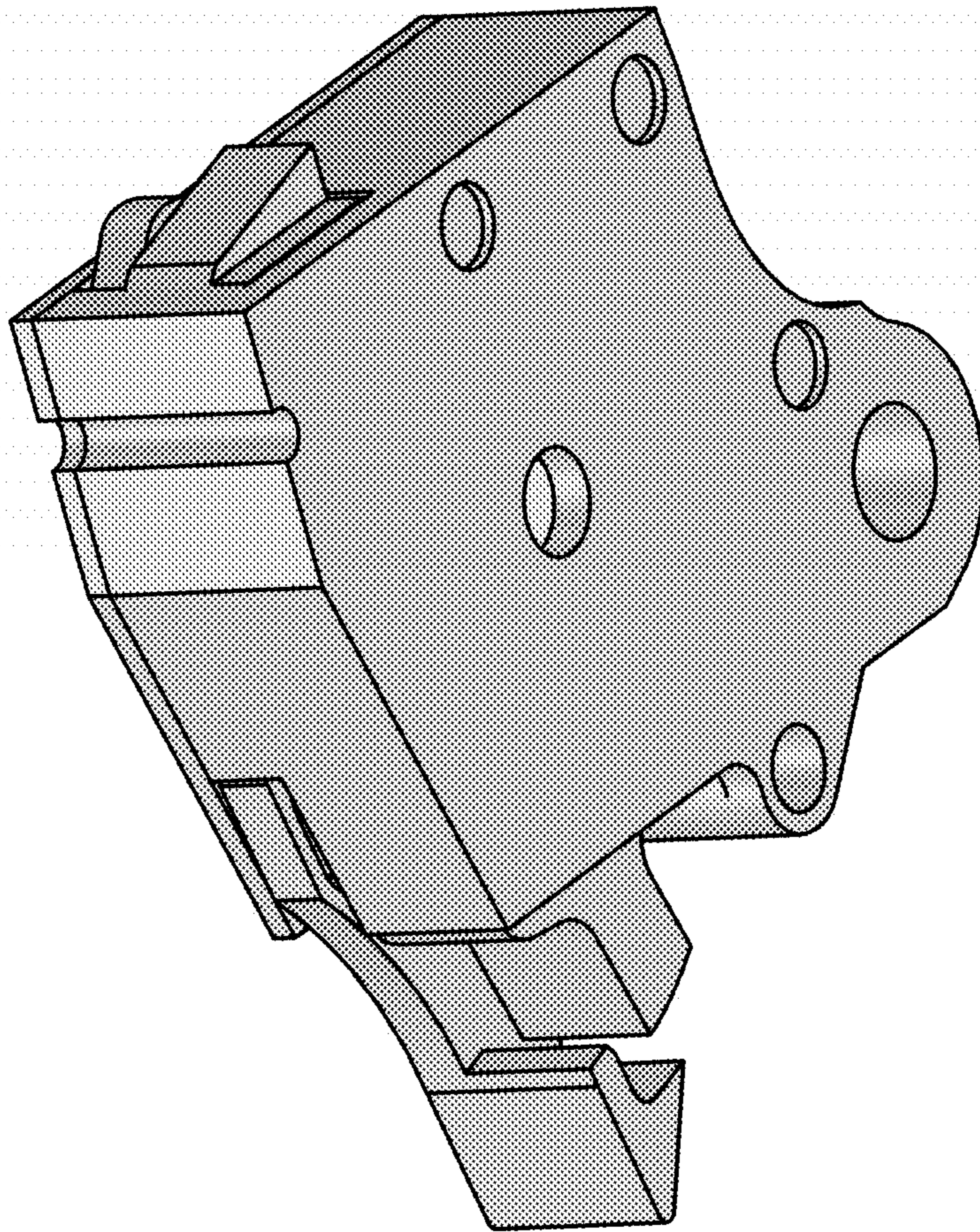


Fig. 4

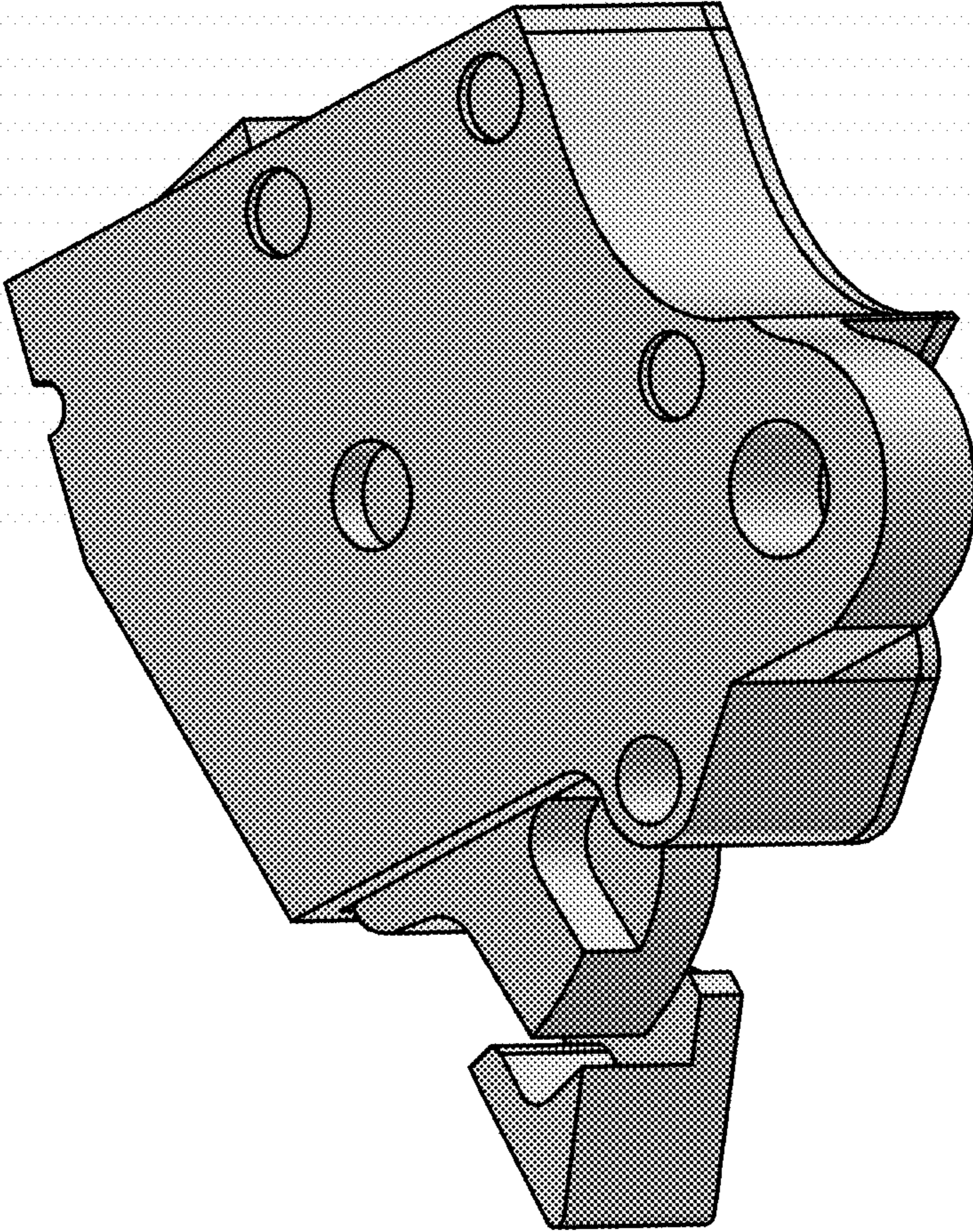


Fig. 5

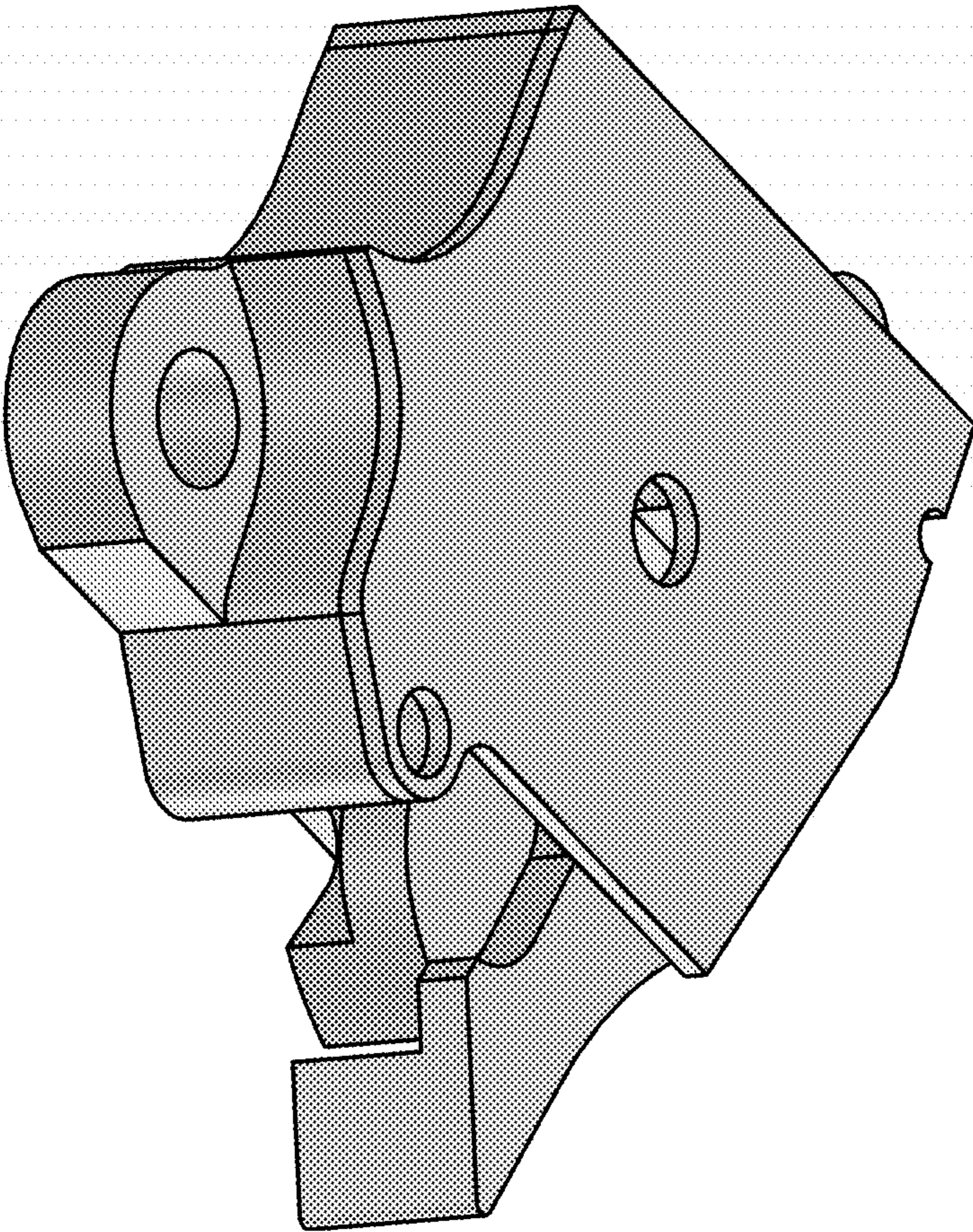


Fig. 6

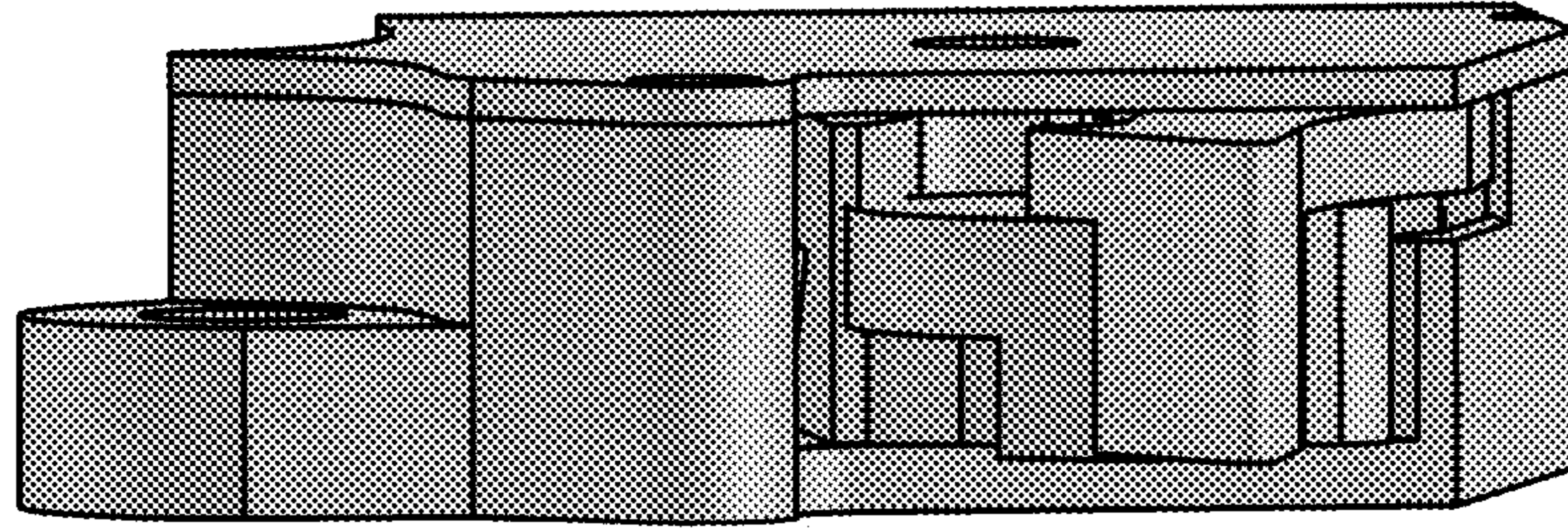


Fig. 7

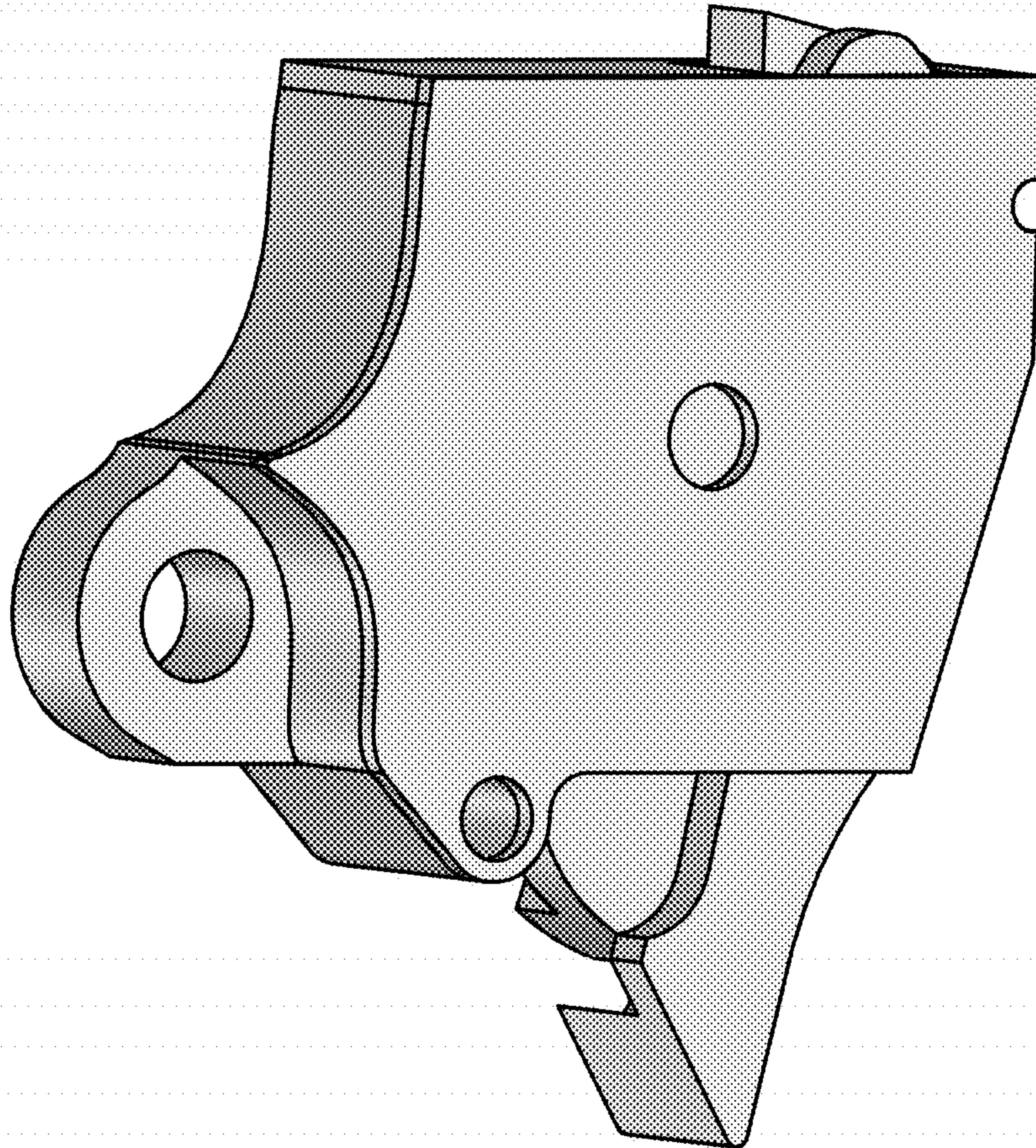


Fig. 8

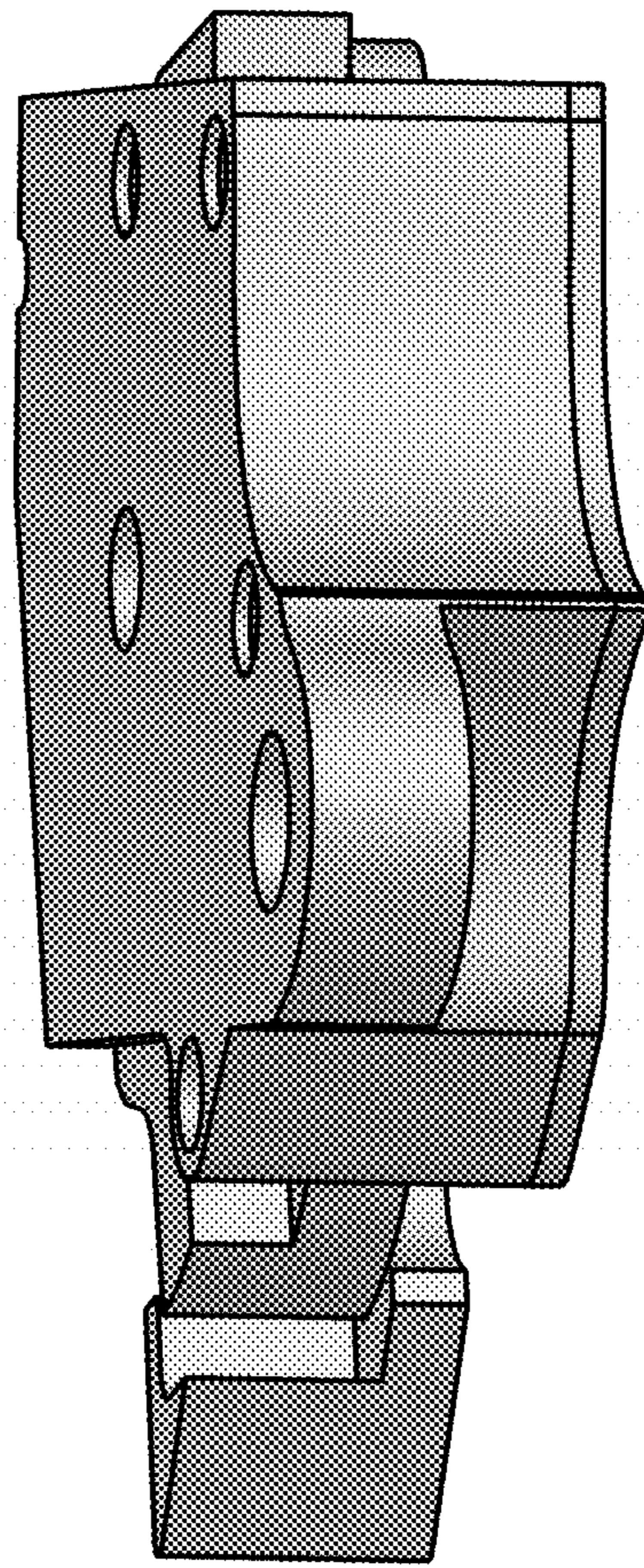


Fig. 9

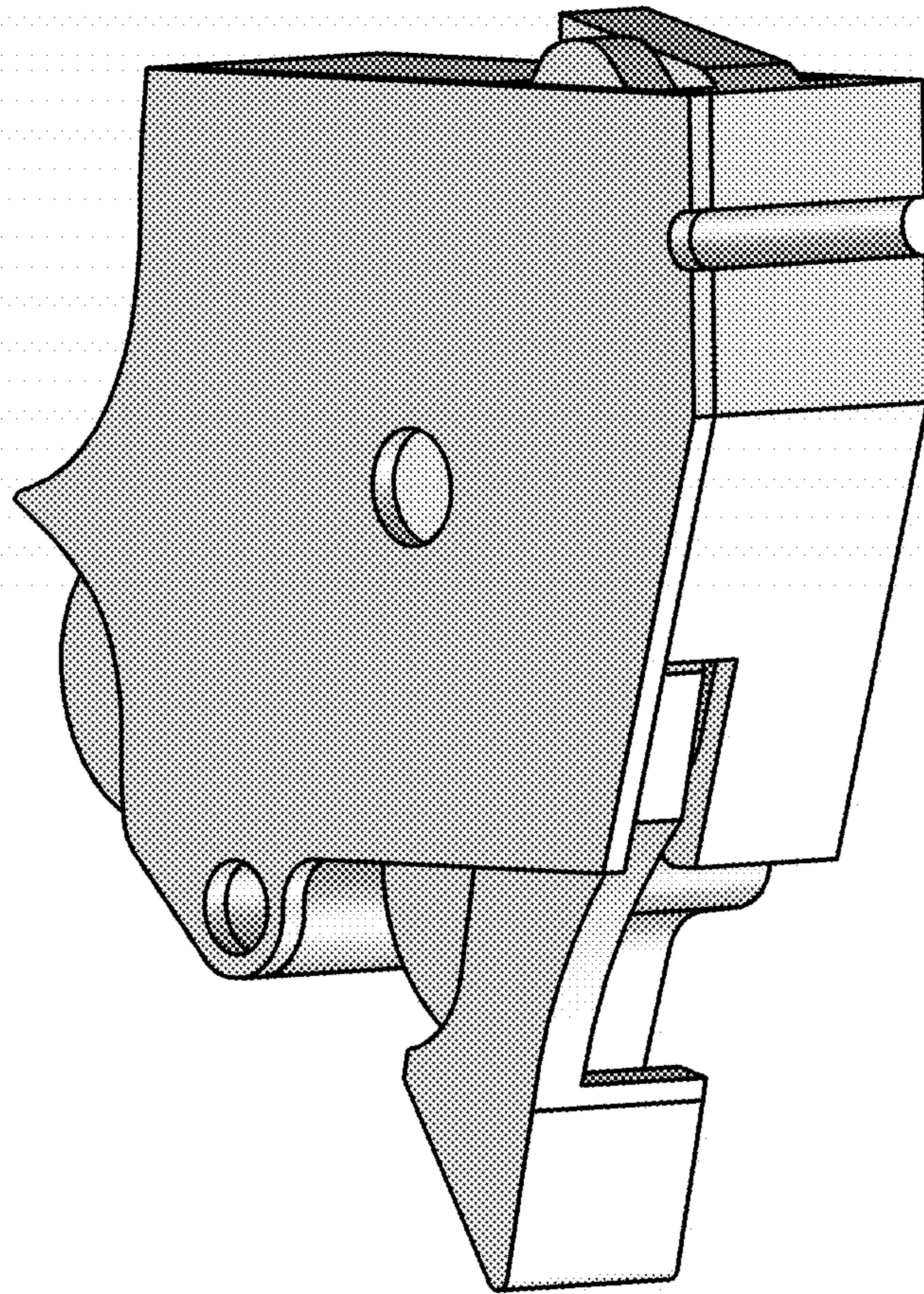


Fig. 10

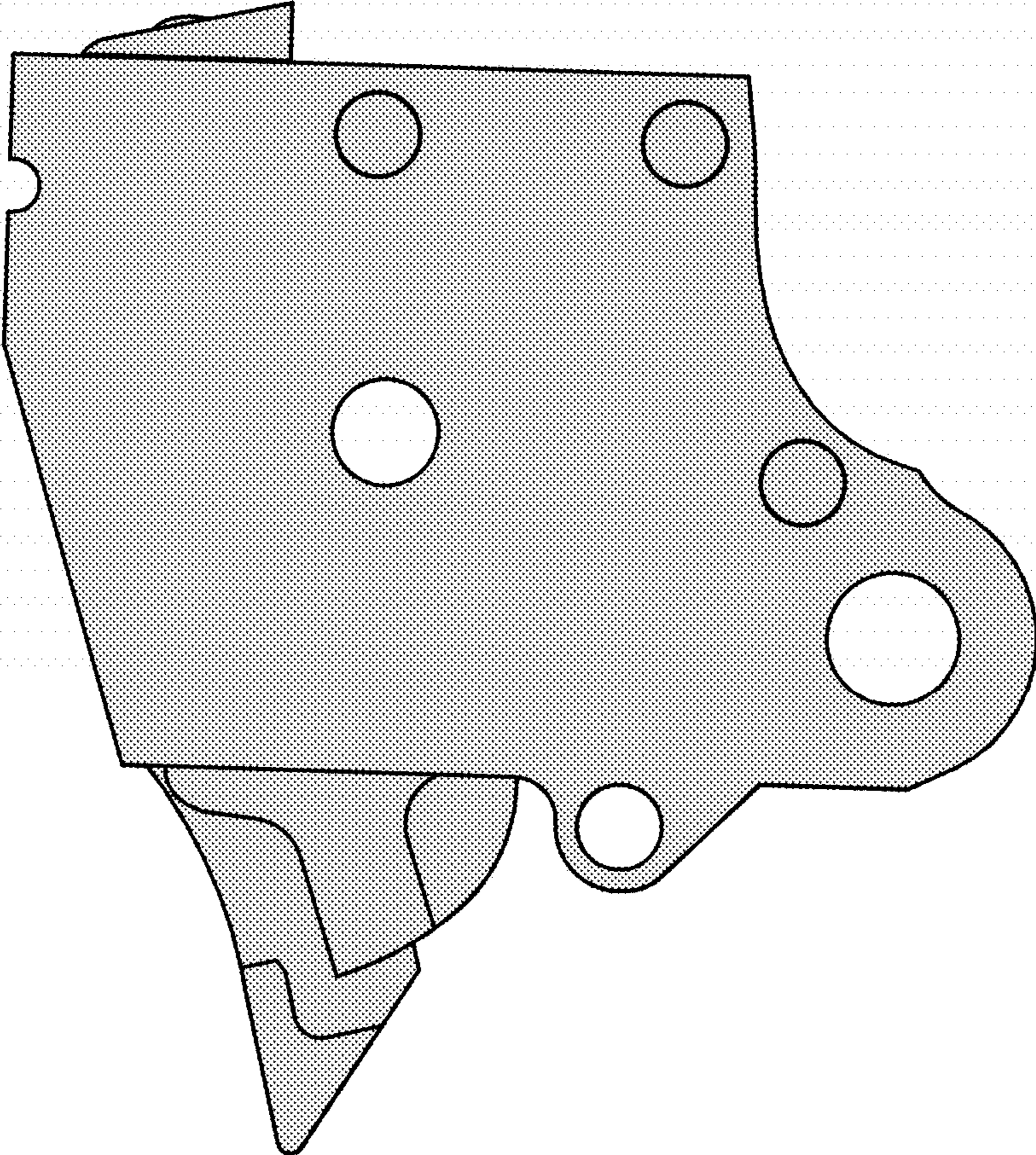


Fig. 11

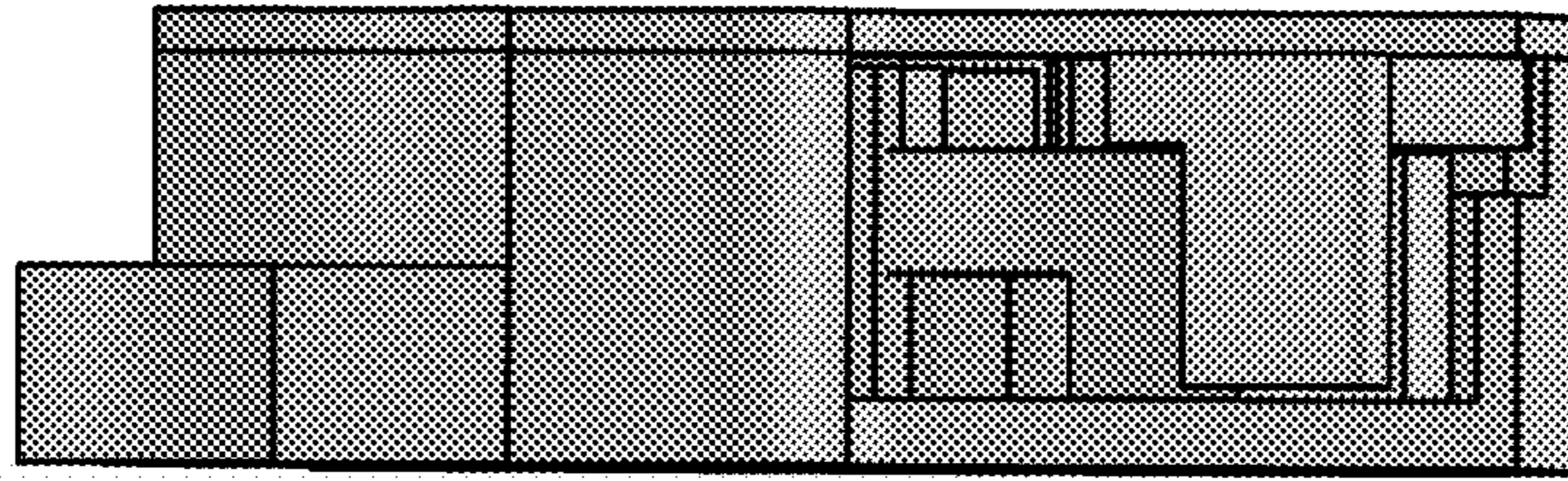


Fig. 12

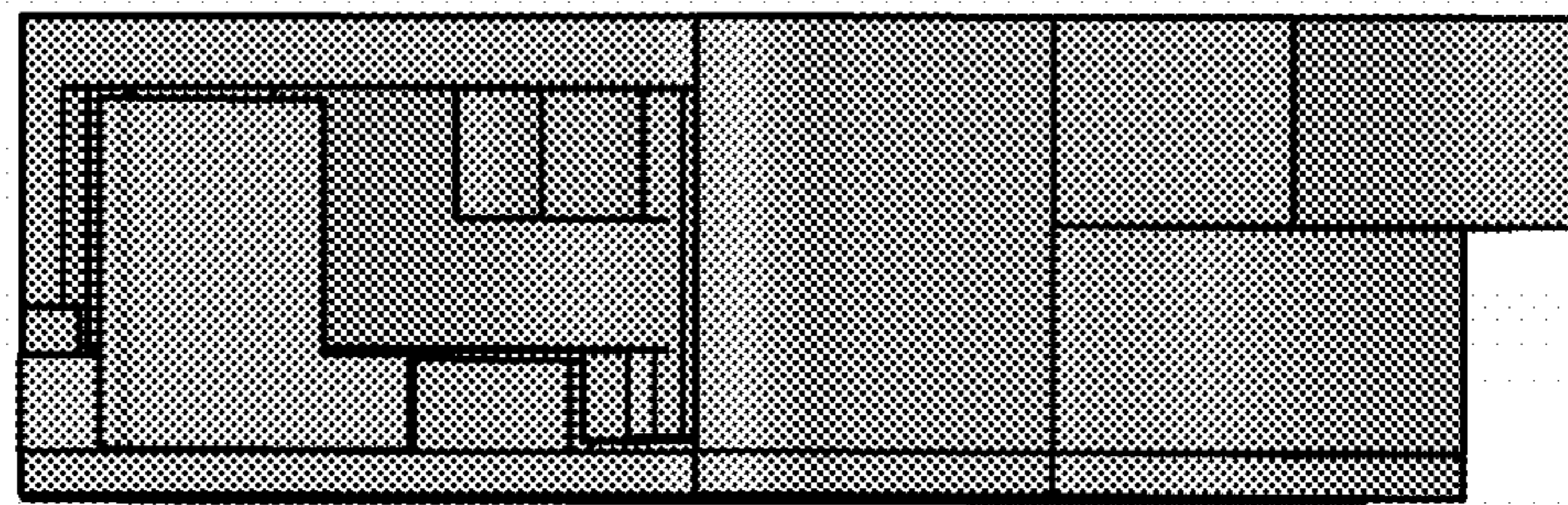


Fig. 13

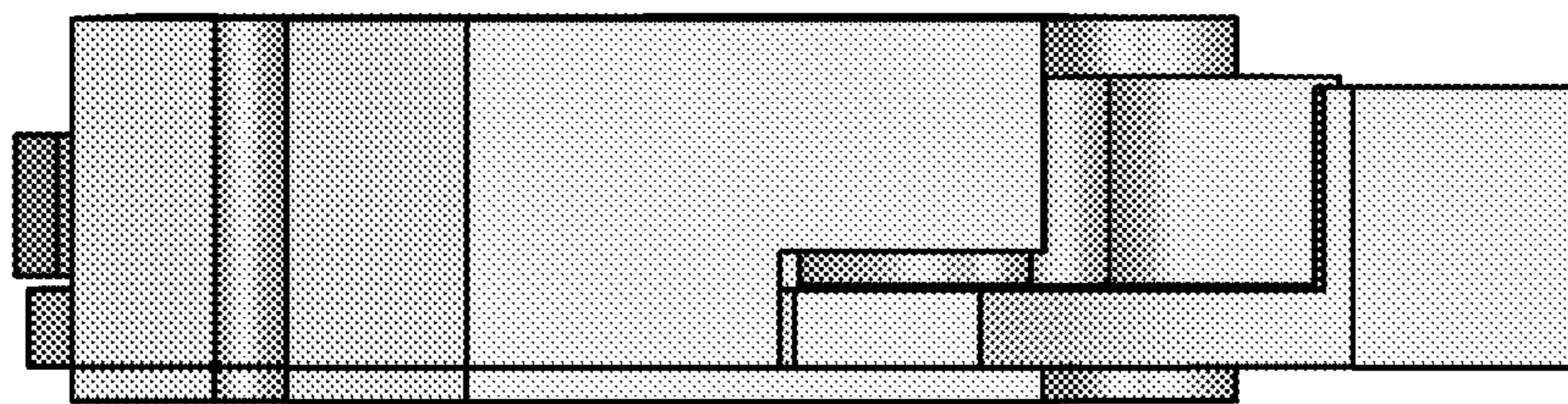


Fig. 14

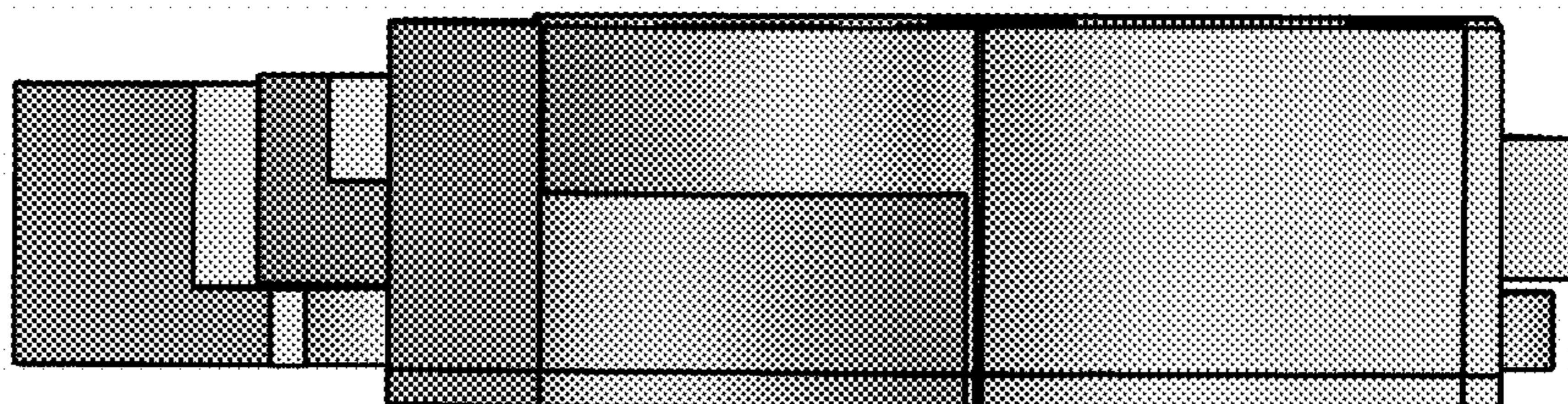


Fig. 15

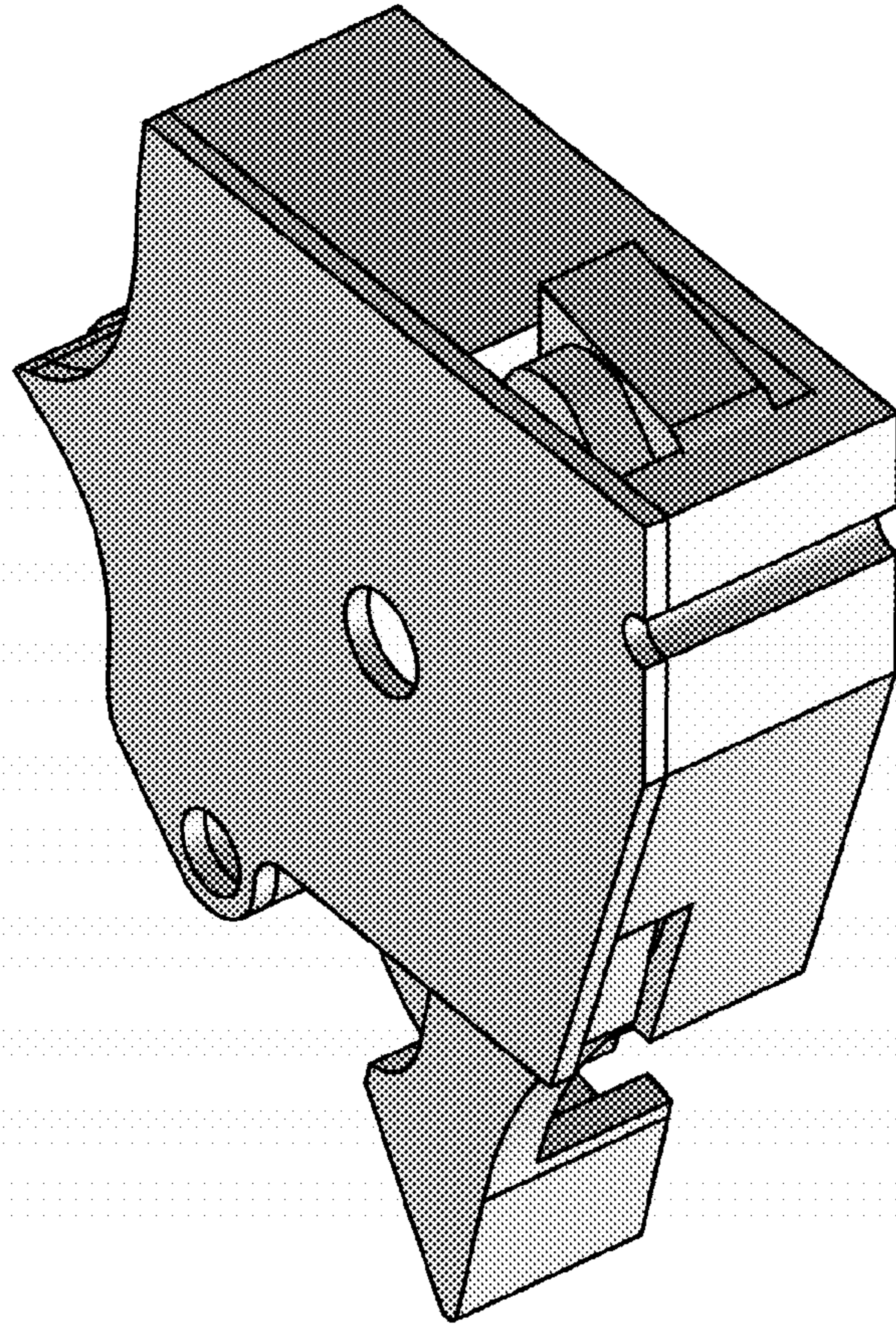


Fig. 16

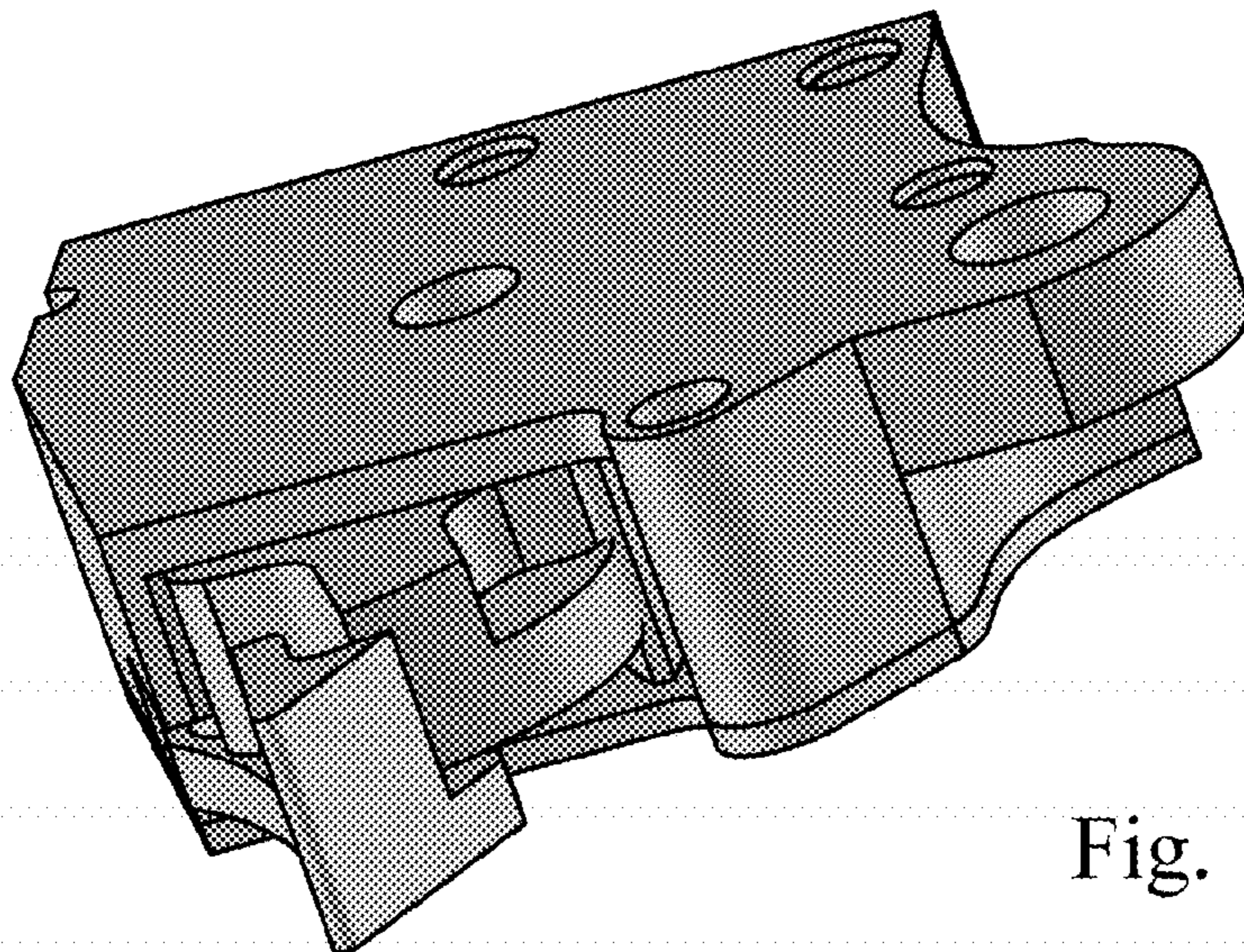


Fig. 17

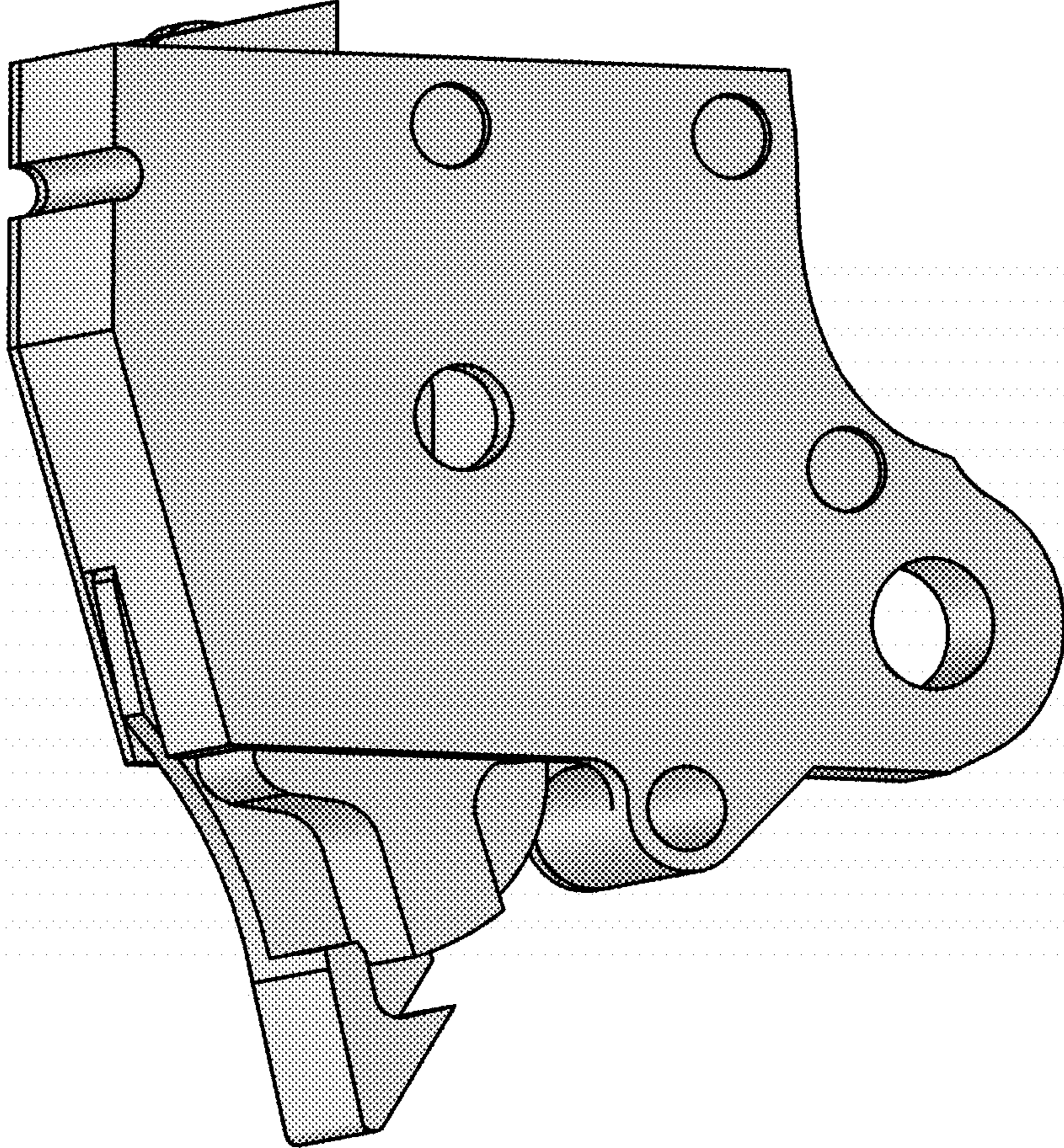


Fig. 18