



US00D746401S

(12) **United States Design Patent**
Harrison et al.

(10) **Patent No.:** **US D746,401 S**

(45) **Date of Patent:** **** Dec. 29, 2015**

- (54) **FIREARM MUZZLE BRAKE**
- (71) Applicant: **RHF Firearm Products, LLC**, San Antonio, TX (US)
- (72) Inventors: **Ronald T. Harrison**, Devine, TX (US);
John L. Frizzell, San Antonio, TX (US);
Jeffrey A. Robinson, Fort Collins, CO (US)
- (73) Assignee: **RHF Firearm Products, LLC**, San Antonio, TX (US)
- (**) Term: **14 Years**
- (21) Appl. No.: **29/495,568**
- (22) Filed: **Jul. 2, 2014**
- (51) **LOC (10) Cl.** **22-01**
- (52) **U.S. Cl.**
USPC **D22/108**
- (58) **Field of Classification Search**
USPC D22/103, 108; D21/572-575; 42/1.06,
42/107, 76.02-76.1; 89/14.1-14.8, 14.05,
89/177; 181/223
CPC F41A 21/32; F41A 21/325; F41A 21/34;
F41A 21/36; F41A 21/38; F41A 21/40;
F41A 21/42
See application file for complete search history.

- D285,238 S 8/1986 Cellini
- 4,869,151 A 9/1989 Chahin
- 5,063,827 A 11/1991 Williamson
- 5,367,940 A 11/1994 Taylor
- 5,631,438 A 5/1997 Martel
- 5,811,714 A * 9/1998 Hull et al. 89/14.3
- 5,814,757 A * 9/1998 Buss 89/14.3
- 6,425,310 B1 * 7/2002 Champion 89/14.3
- 7,143,680 B2 12/2006 Bender

(Continued)

Primary Examiner — Michael A Pratt

(74) *Attorney, Agent, or Firm* — Jesse L. Frizzell; William H. Quirk; Rosenthal Pauerstein Sandoloski Agather LLP

(57) **CLAIM**

We claim the ornamental design for a firearm muzzle brake, substantially as shown and described.

DESCRIPTION

FIG. 1 is a perspective view of the firearm muzzle brake in accordance with the present design.

FIG. 2 is an end-on elevation view of the distal end of the firearm muzzle brake of FIG. 1, the distal end being the end furthest from the barrel of a firearm when the firearm muzzle brake is operatively mounted thereon.

FIG. 3 is a left side view of the firearm muzzle brake of FIG. 1, showing its distal end on the left and its proximal end on the right, it being understood that the opposite right side view (not shown) is a substantial mirror image of the left side view as shown.

FIG. 4 is an end-on elevation view of the proximal end of the firearm muzzle brake of FIG. 1, the proximal end being the end closest to the barrel of a firearm when the firearm muzzle brake is operatively mounted thereon; and,

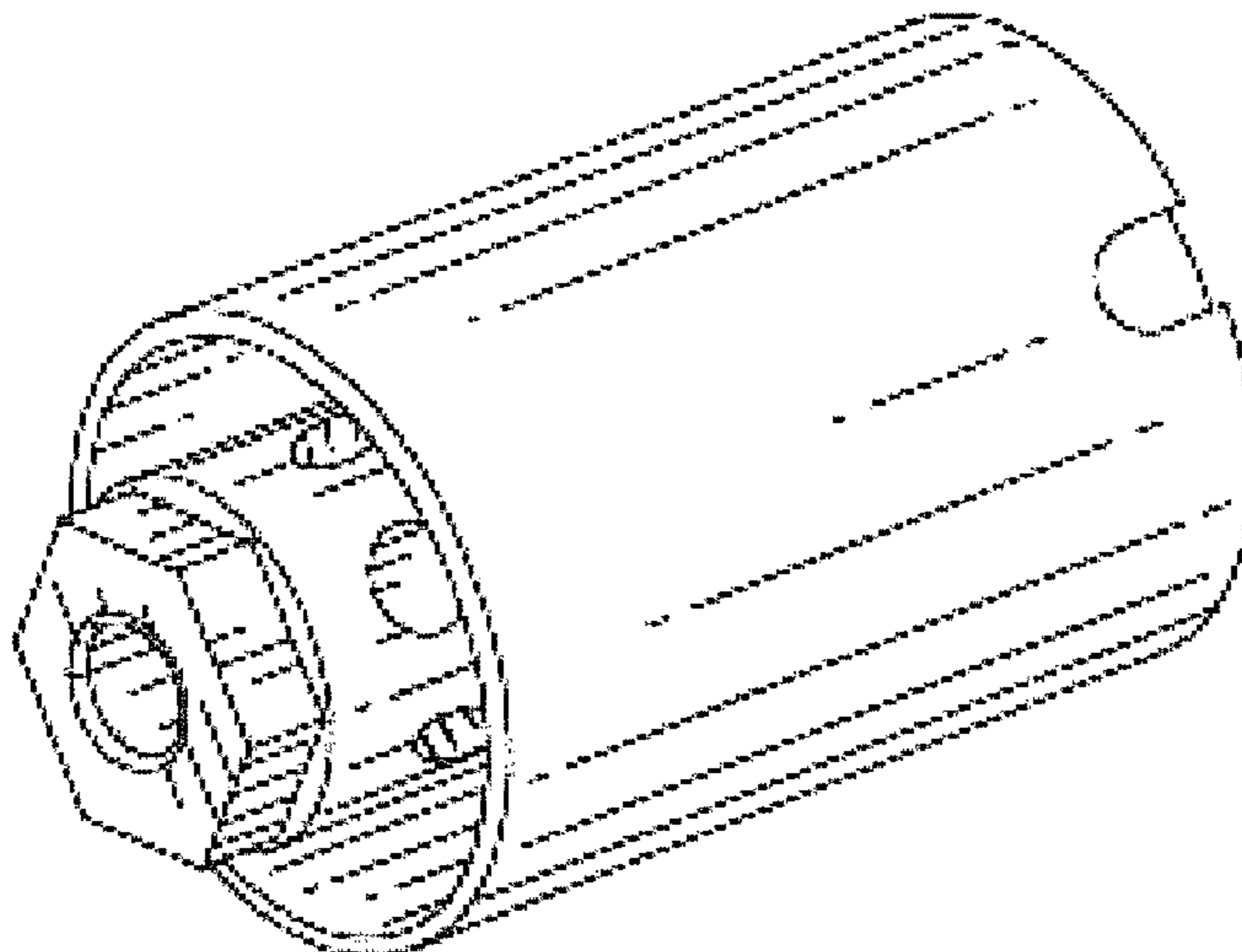
FIG. 5 is a left side view of the firearm muzzle brake of FIG. 1, showing its distal end on the left side and its proximal end on the right side, it being understood that the opposite right side view (not shown) is a substantial mirror image of the left side view as shown.

(56) **References Cited**

U.S. PATENT DOCUMENTS

- 2,101,063 A 12/1937 Green
- 2,101,850 A 12/1937 Green
- 2,150,161 A 3/1939 Green
- 2,165,457 A 7/1939 Cutts, Jr.
- 2,625,235 A 1/1953 Caulkins
- 3,409,232 A 11/1968 Cholin
- D268,861 S 5/1983 Gwinn, Jr.
- 4,392,413 A 7/1983 Gwinn, Jr.
- 4,583,445 A 4/1986 Blair

1 Claim, 1 Drawing Sheet



(56)

References Cited

U.S. PATENT DOCUMENTS

7,530,299	B1	5/2009	Poff	2011/0252952	A1*	10/2011	McNeill et al.	89/14.3
8,739,674	B1	6/2014	Huber et al.	2012/0228052	A1*	9/2012	Findlay	181/223
9,080,829	B1*	7/2015	Cellini, Vito	2012/0246987	A1	10/2012	Anthony	
2008/0083321	A1*	4/2008	Dueck et al.	2013/0340313	A1*	12/2013	Myers et al.	42/90
				2014/0165438	A1*	6/2014	Wilkinson	42/1.06
				2014/0231168	A1*	8/2014	Dueck et al.	181/223
				2015/0192379	A1*	7/2015	Larson, Jr.	89/14.3

* cited by examiner

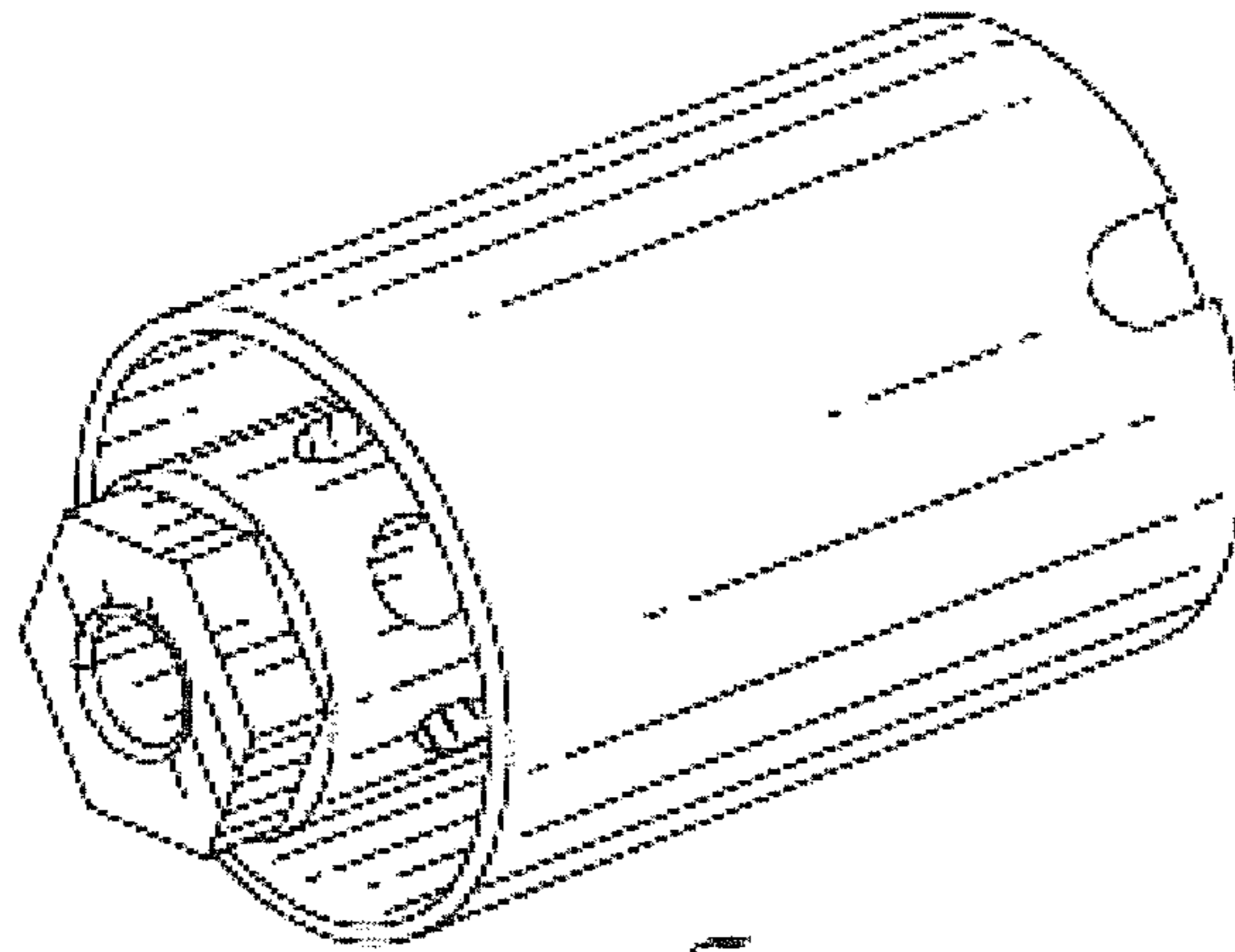


Fig. 1

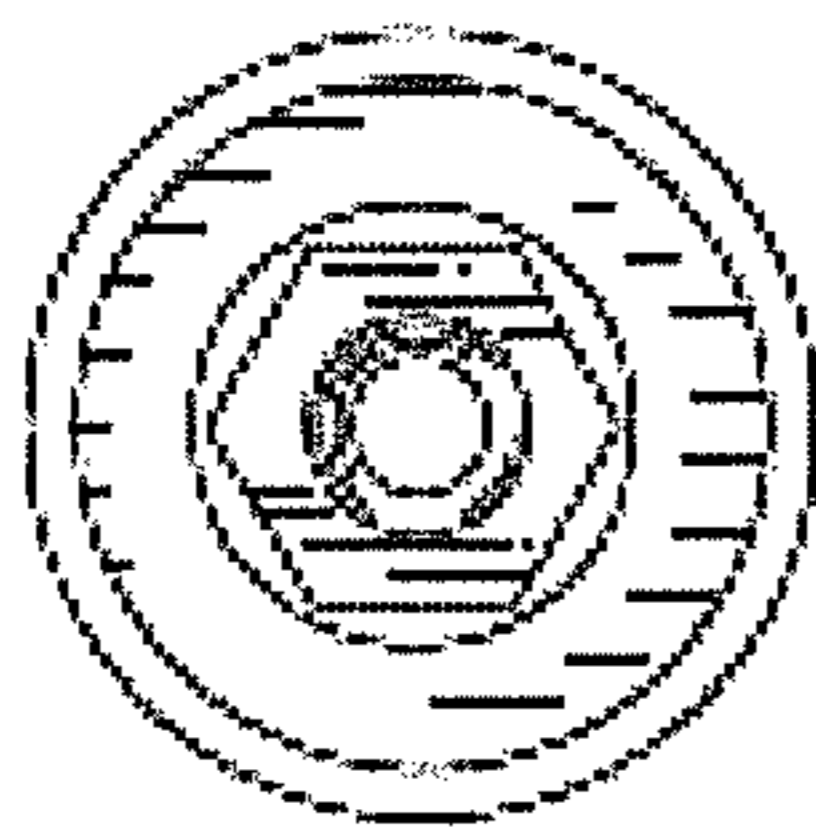


Fig. 2

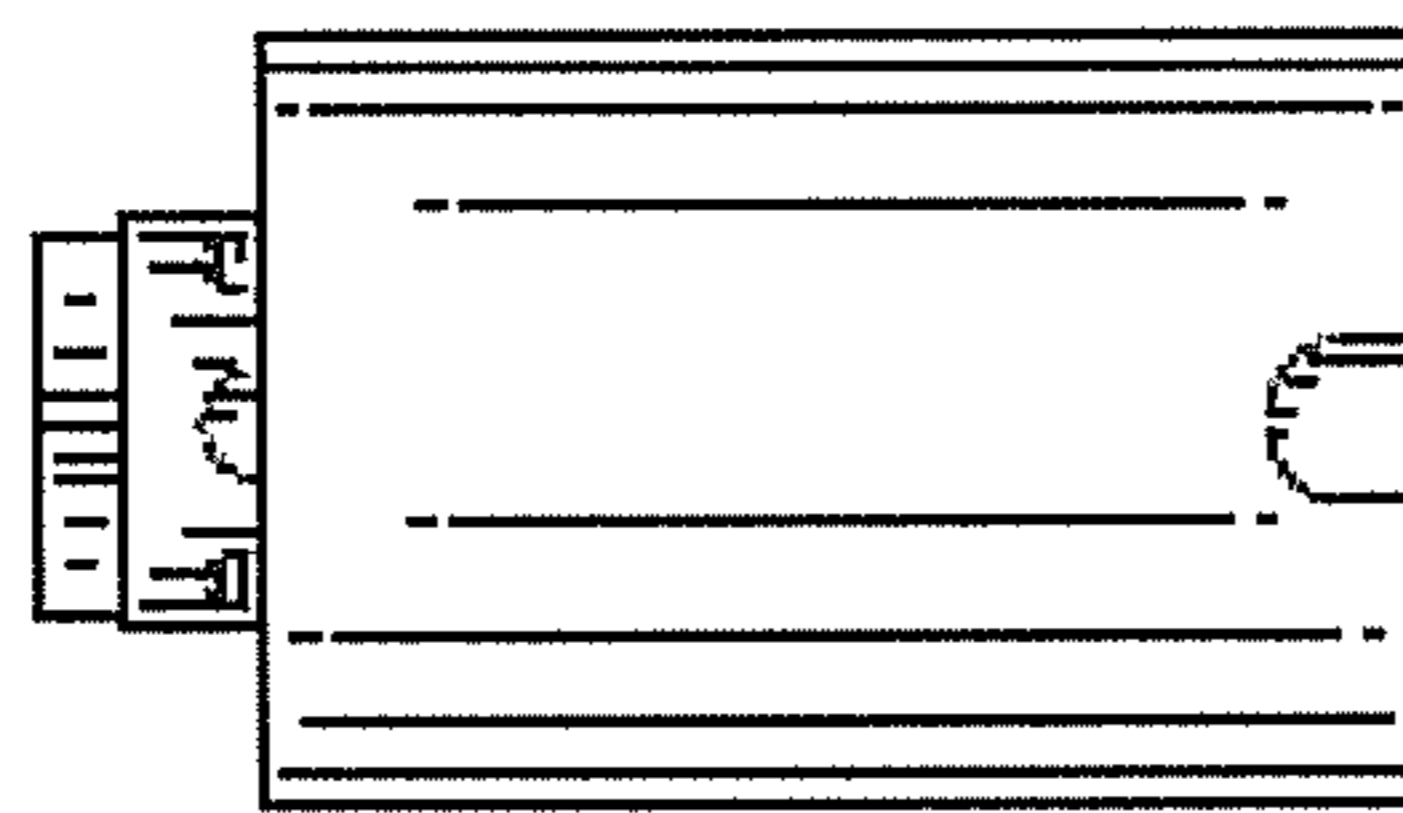


Fig. 3

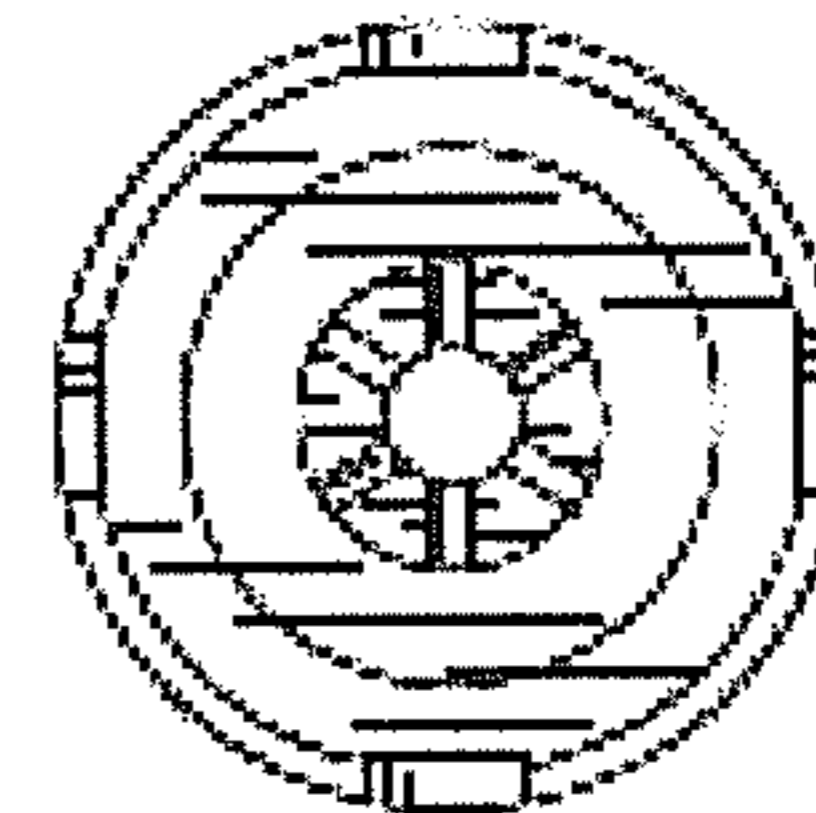


Fig. 4

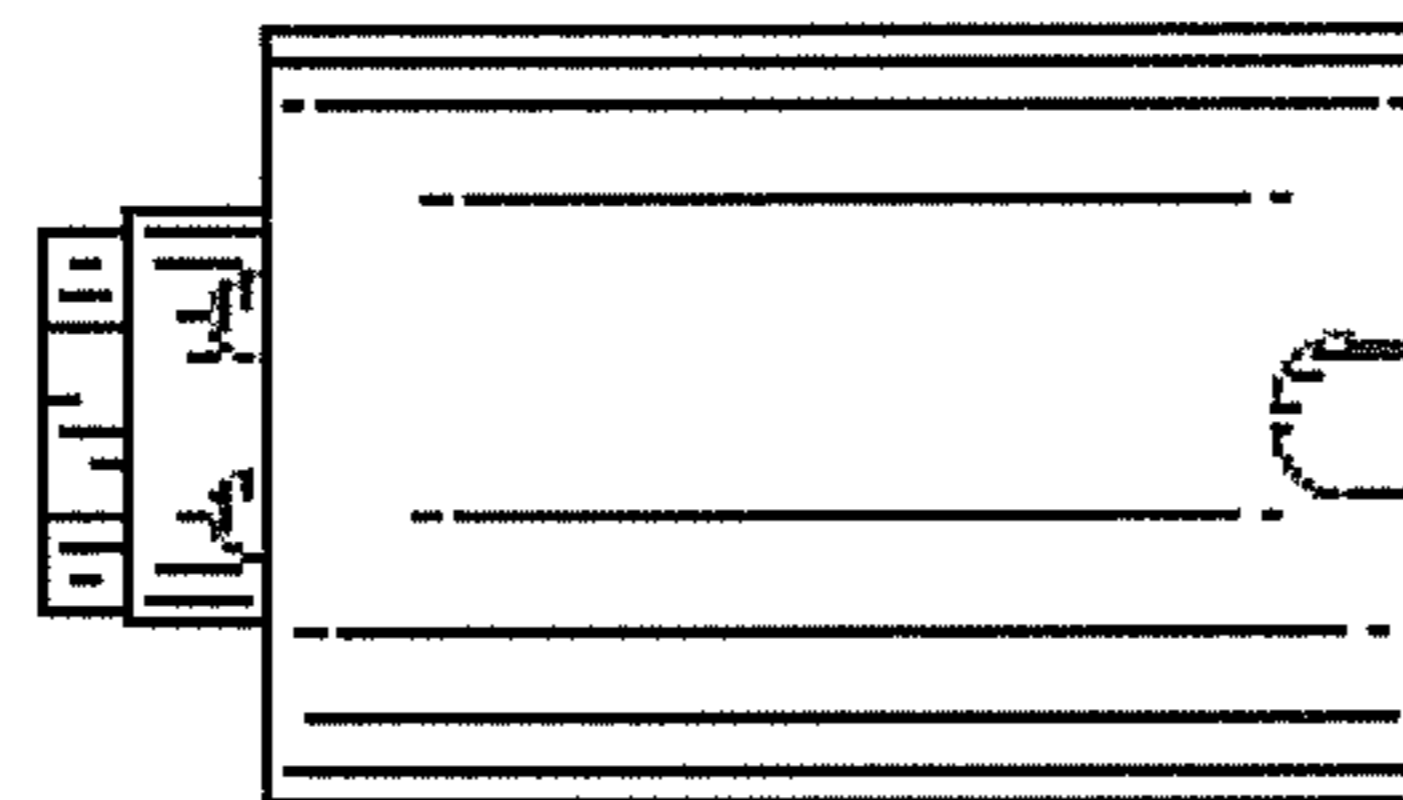


Fig. 5