



US00D746400S

(12) **United States Design Patent**  
**Folkestad, II et al.**

(10) **Patent No.:** **US D746,400 S**  
(45) **Date of Patent:** **\*\* Dec. 29, 2015**

(54) **RECEIVER FOR A SEMIAUTOMATIC FIREARM**

(71) Applicant: **CreativeArms, LLC**, Des Moines, IA (US)

(72) Inventors: **Robert Folkestad, II**, Des Moines, IA (US); **Daniel Welch**, Des Moines, IA (US); **Michael Six**, Norwalk, IA (US); **Joel Fleming**, Grimes, IA (US)

(73) Assignee: **CREATIVEARMS, LLC**, Des Moines, IA (US)

(\*\*) Term: **14 Years**

(21) Appl. No.: **29/493,477**

(22) Filed: **Jun. 10, 2014**

(51) **LOC (10) Cl.** ..... **22-01**

(52) **U.S. Cl.**

USPC ..... **D22/108**

(58) **Field of Classification Search**

USPC ..... D22/108-109; 362/109-114; 42/90, 94, 42/114, 117, 124-127, 131, 146

CPC ..... F41C 23/10; F41C 23/14; F41C 23/16; F41C 23/18

See application file for complete search history.

(56) **References Cited**

U.S. PATENT DOCUMENTS

4,536,982	A	8/1985	Bredbury et al.
4,663,875	A	5/1987	Tatro
4,742,636	A	5/1988	Swan
D300,161	S	3/1989	Baldus et al.
4,845,871	A	7/1989	Swan
5,142,806	A	9/1992	Swan
5,198,600	A	3/1993	E'Nama
5,276,988	A	1/1994	Swan
5,343,650	A	9/1994	Swan
5,533,292	A	7/1996	Swan
6,490,822	B1	12/2002	Swan

6,499,245	B1	12/2002	Swan
6,609,321	B2	8/2003	Faifer
D479,297	S *	9/2003	Selvaggio ..... D22/108
6,618,976	B1	9/2003	Swan
6,860,053	B2	3/2005	Christiansen
RE39,465	E	1/2007	Swan
7,204,052	B2	4/2007	Swan
7,216,451	B1	5/2007	Troy
7,231,861	B1	6/2007	Gauny et al.
RE40,216	E	4/2008	Swan
7,356,962	B2	4/2008	Swan
7,458,179	B2	12/2008	Swan
7,493,721	B2	2/2009	Swan
7,669,359	B2	3/2010	Kim

(Continued)

Primary Examiner — Michael A Pratt

(74) Attorney, Agent, or Firm — Christopher A. Proskey

(57) **CLAIM**

We claim the ornamental design for a receiver for a semiautomatic firearm, substantially as shown and described.

**DESCRIPTION**

FIG. 1 is a top, front, left perspective view of a receiver for a semiautomatic firearm, the view showing the design of the receiver for a semiautomatic firearm;

FIG. 2 is a front elevation view of the receiver for a semiautomatic firearm;

FIG. 3 is a rear elevation view of the receiver for a semiautomatic firearm;

FIG. 4 is a left side elevation view of the receiver for a semiautomatic firearm;

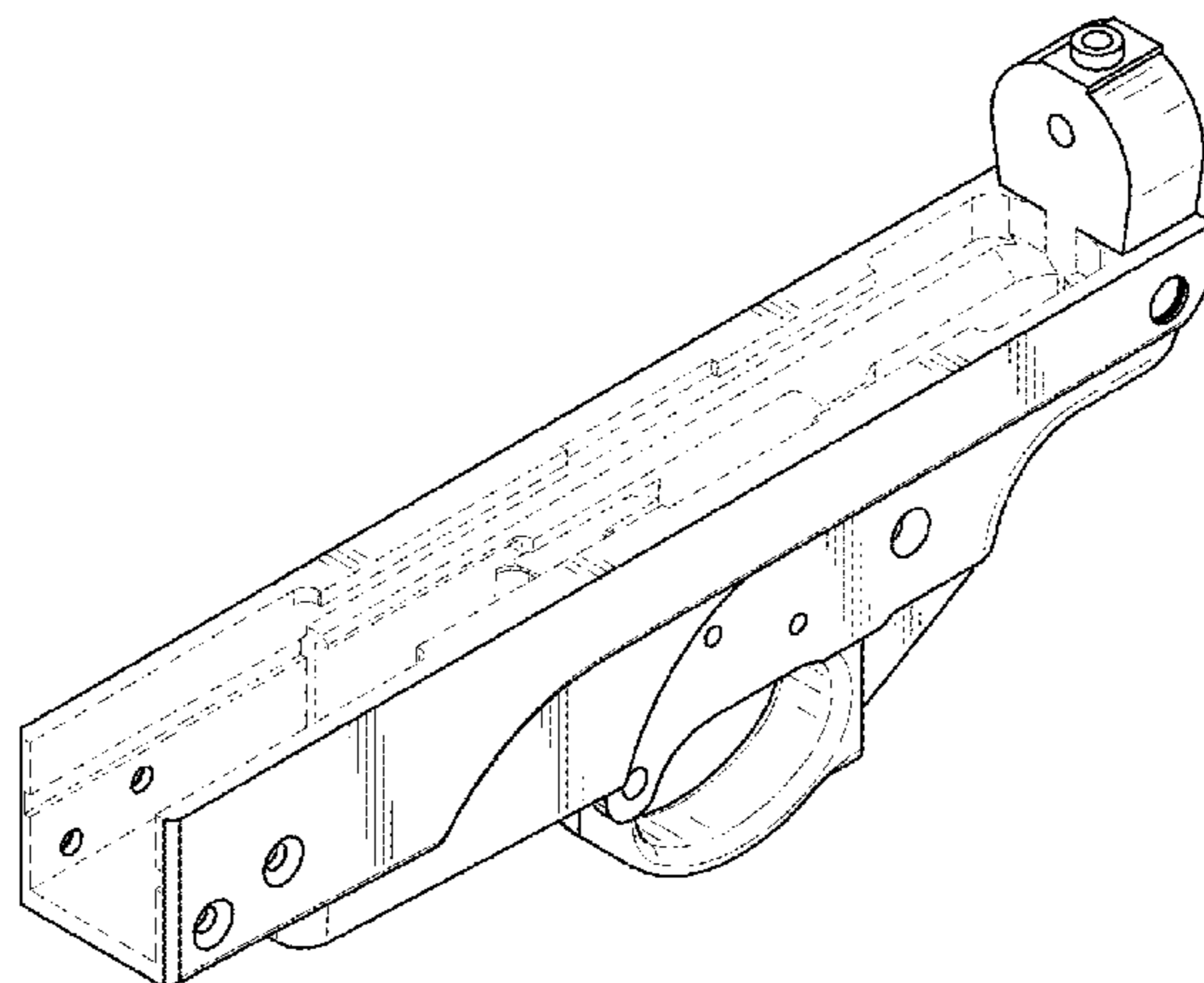
FIG. 5 is a right side elevation view of the receiver for a semiautomatic firearm;

FIG. 6 is a top elevation view of the receiver for a semiautomatic firearm; and,

FIG. 7 is a bottom elevation view of the receiver for a semiautomatic firearm.

The broken lines showing portions of the design in all figures is included for the purpose of illustrating environment and unclaimed features and forms not part of the claimed design.

**1 Claim, 4 Drawing Sheets**



(56)

References Cited

U.S. PATENT DOCUMENTS

7,716,865 B2	5/2010	Daniel et al.					
7,753,679 B1	7/2010	Schuetz					
D623,718 S *	9/2010	Peterson et al. ....	D22/108				
7,798,045 B1	9/2010	Fitzpatrick et al.					
D637,684 S	5/2011	Kimmel et al.					
D639,376 S	6/2011	Ding					
D644,294 S	8/2011	Clary					
8,020,334 B2	9/2011	Delmonico					
8,276,304 B2	10/2012	Samson et al.					
D673,239 S	12/2012	Cheng					
8,505,228 B2	8/2013	Cheng					
8,522,467 B1	9/2013	Christensen et al.					
8,528,246 B2	9/2013	Telles					
8,561,335 B2	10/2013	Brown					
8,689,478 B2	4/2014	Patel					
8,726,558 B1	5/2014	Nason					
8,739,448 B2	6/2014	Kimmel et al.					
				D713,485 S *	9/2014	Firpo et al. ....	D22/108
				8,910,406 B1 *	12/2014	Huang et al. ....	42/16
				8,959,818 B2 *	2/2015	Mayerl .....	42/6
				D726,863 S *	4/2015	Crume, Sr. ....	D22/108
				2005/0241211 A1	11/2005	Swan	
				2005/0268513 A1	12/2005	Battaglia	
				2006/0010748 A1	1/2006	Stoner et al.	
				2006/0026883 A1	2/2006	Hochstrate et al.	
				2006/0236582 A1	10/2006	Lewis et al.	
				2006/0260169 A1	11/2006	Samson et al.	
				2007/0006509 A1	1/2007	DeSomma et al.	
				2007/0017139 A1	1/2007	Larue	
				2008/0092422 A1	4/2008	Daniel et al.	
				2010/0154280 A1	6/2010	LaFrance et al.	
				2010/0236395 A1	9/2010	Akhavan	
				2011/0247254 A1	10/2011	Barnes	
				2014/0230297 A1 *	8/2014	Larson et al. ....	42/6
				2014/0230298 A1 *	8/2014	King, Jr. ....	42/16
				2014/0331538 A1 *	11/2014	Spiegelhauer .....	42/71.01
				2015/0198394 A1 *	7/2015	Hochstrate et al. ....	42/17

\* cited by examiner

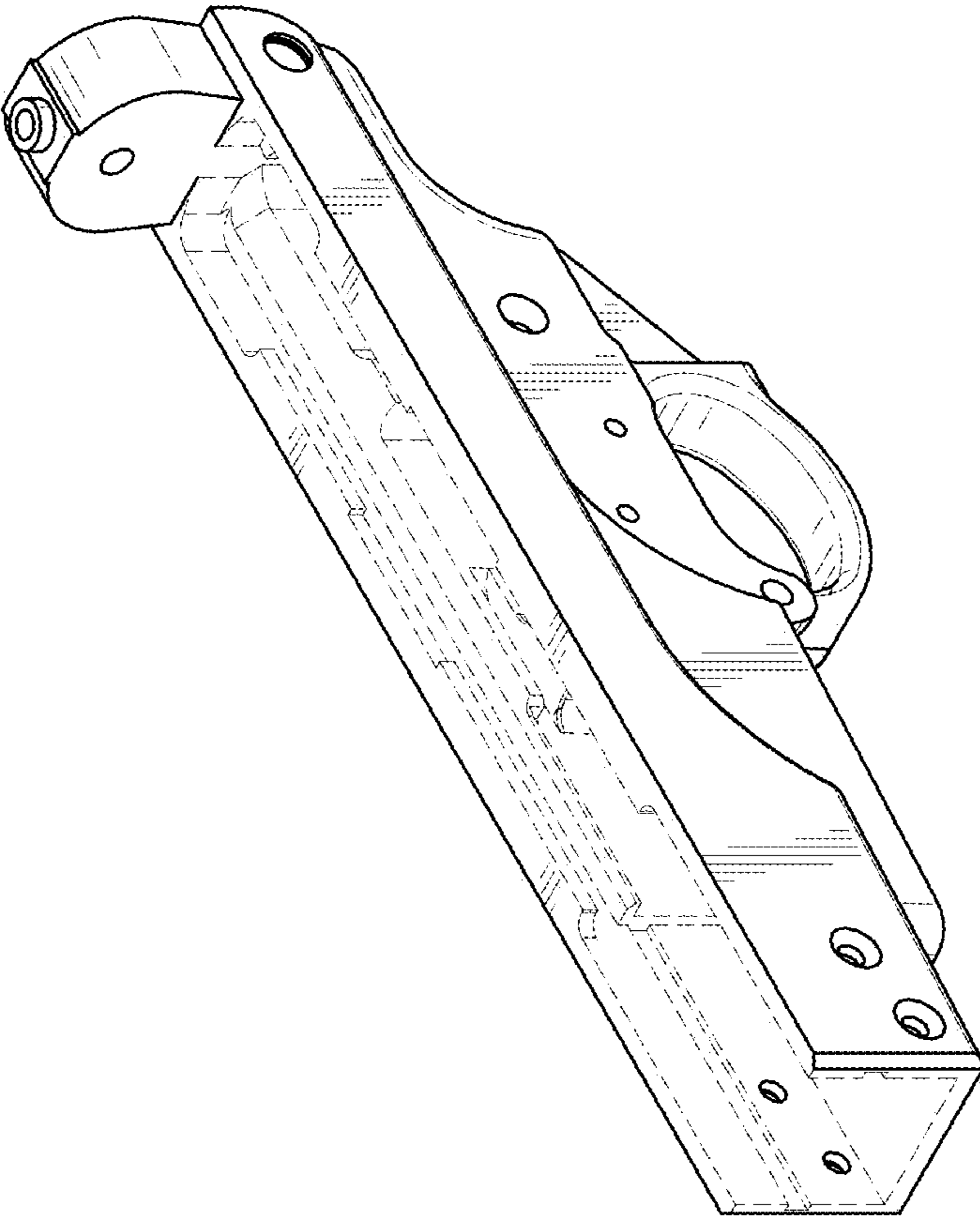


FIG. 1

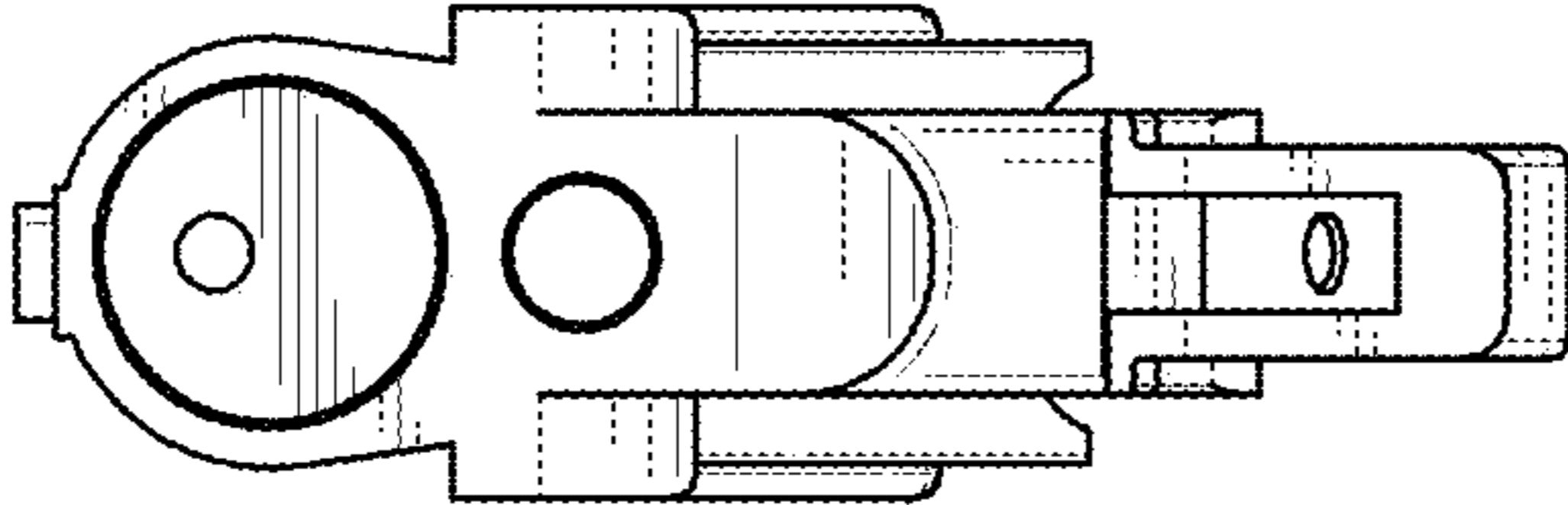


FIG. 3

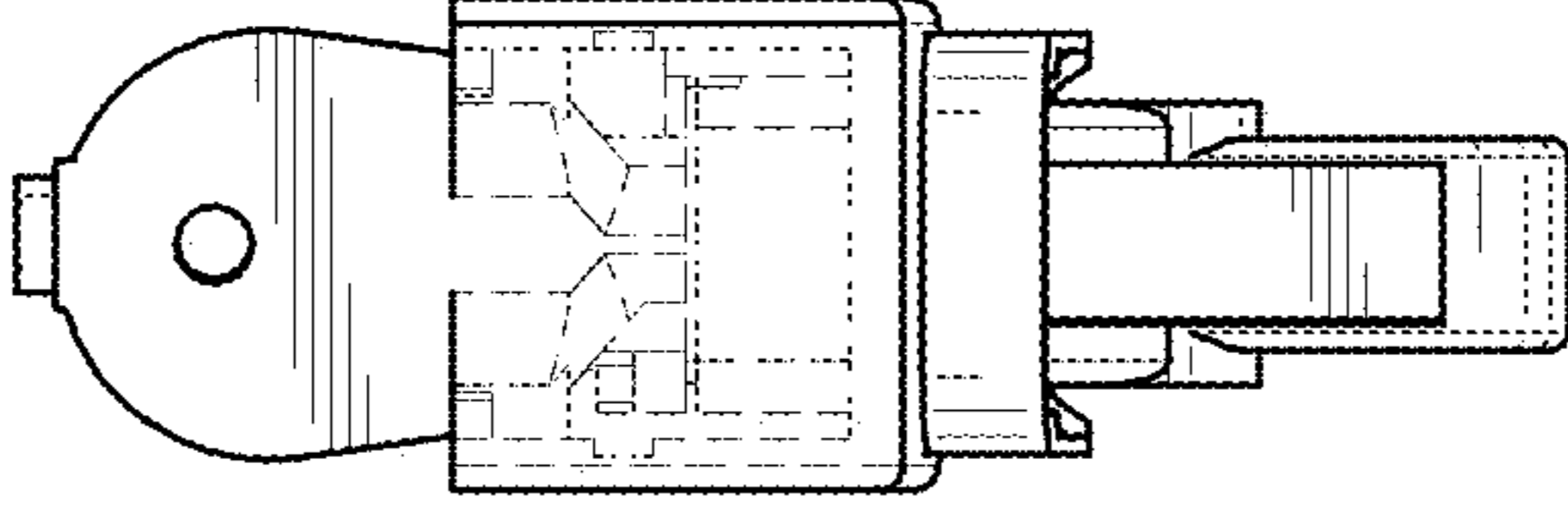


FIG. 2

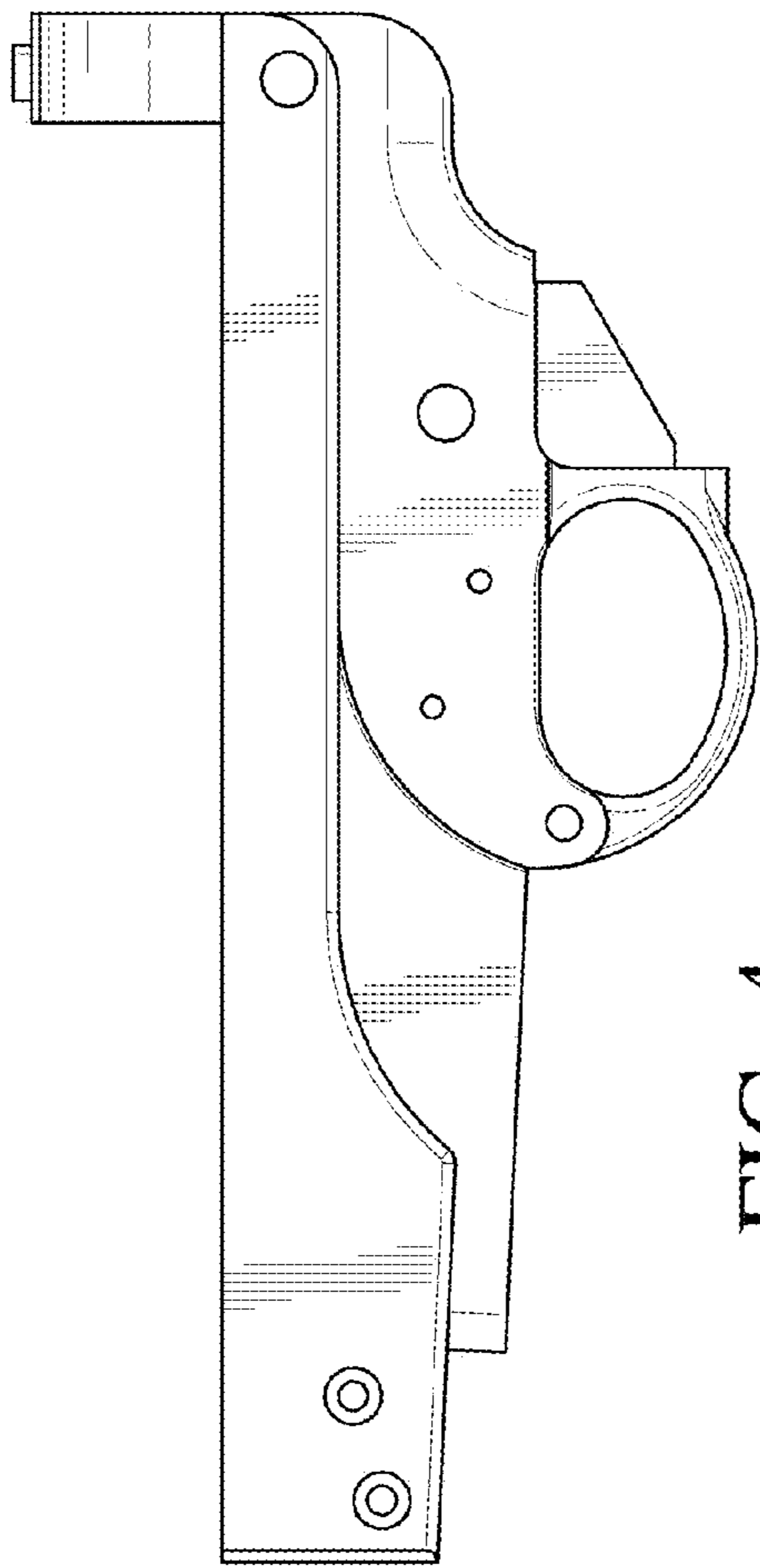


FIG. 4

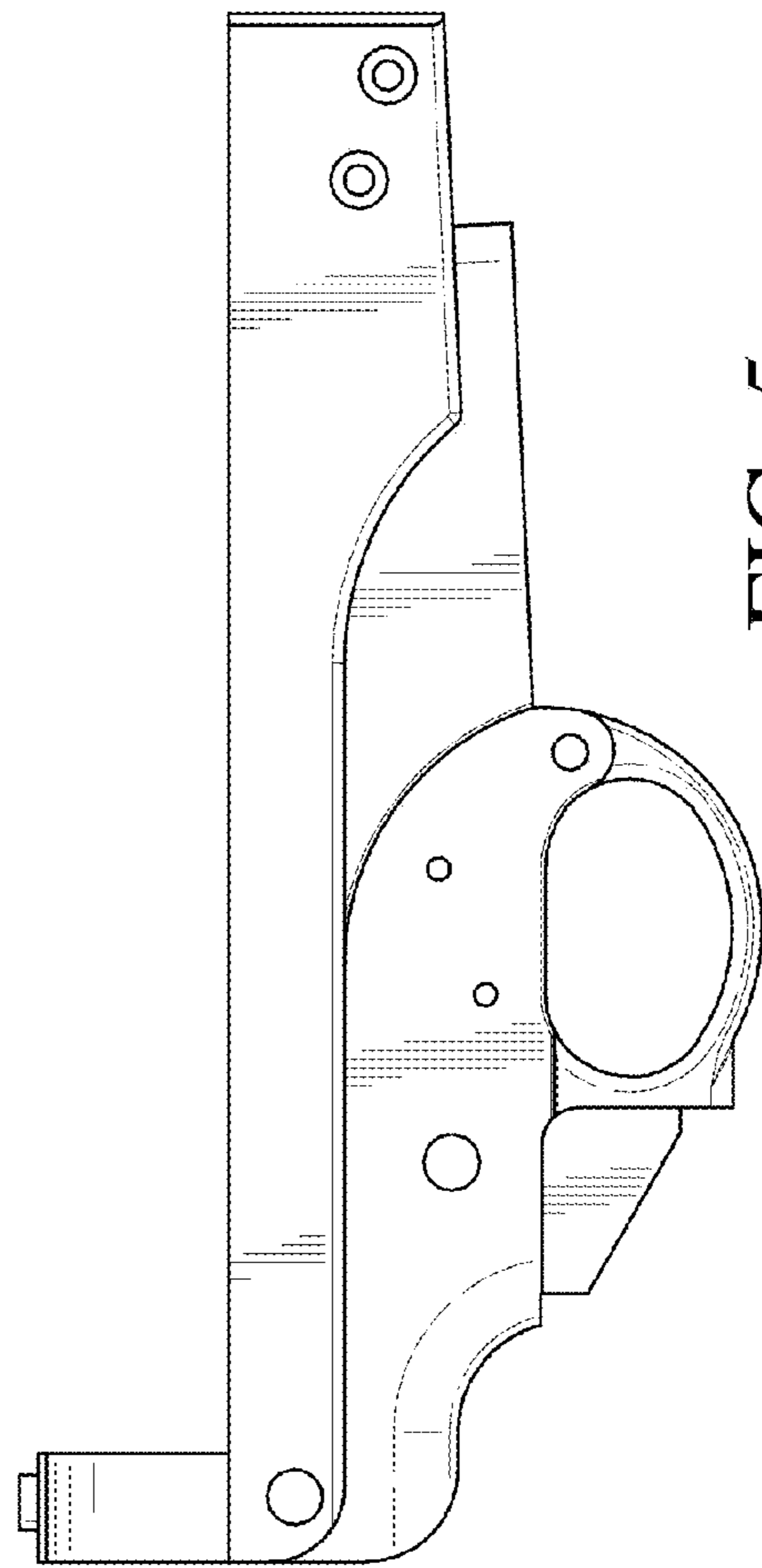


FIG. 5



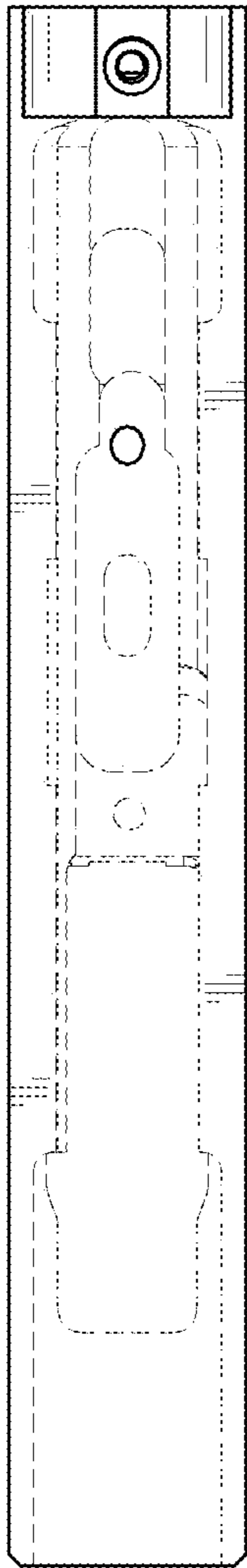


FIG. 6

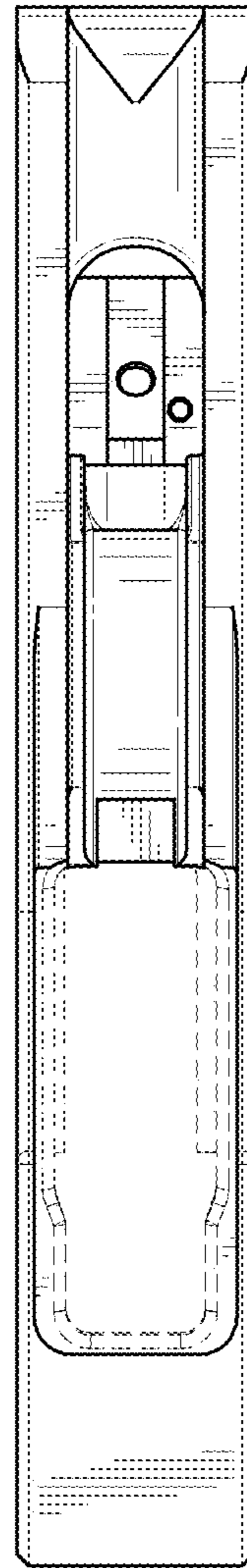


FIG. 7