



US00D746397S

(12) **United States Design Patent**  
**Kingsbury et al.**

(10) **Patent No.:** **US D746,397 S**

(45) **Date of Patent:** **\*\* Dec. 29, 2015**

(54) **BOW STABILIZER**

(71) Applicants: **Klint M. Kingsbury**, Austin, TX (US);  
**Clayton W. Reinartz**, New Braunfels,  
TX (US)

(72) Inventors: **Klint M. Kingsbury**, Austin, TX (US);  
**Clayton W. Reinartz**, New Braunfels,  
TX (US)

(73) Assignee: **Rein-O-King LLC**, New Braunfels, TX  
(US)

(\*\*) Term: **14 Years**

(21) Appl. No.: **29/447,672**

(22) Filed: **Mar. 5, 2013**

**Related U.S. Application Data**

(63) Continuation-in-part of application No. 13/005,461,  
filed on Jan. 12, 2011, now Pat. No. 8,567,382.

(51) **LOC (10) Cl.** ..... **22-01**

(52) **U.S. Cl.**  
USPC ..... **D22/107**

(58) **Field of Classification Search**  
USPC ..... D22/107, 108; 124/89, 86, 87, 88;  
D10/96; D21/573, 753, 789, 791;  
473/300

See application file for complete search history.

(56) **References Cited**

**U.S. PATENT DOCUMENTS**

3,483,623	A	12/1969	Kruzell
4,296,725	A	10/1981	Broderick
4,640,258	A	2/1987	Penney et al.
4,890,128	A	12/1989	Kania
5,297,533	A	3/1994	Cook
5,520,164	A	5/1996	Huddleston
5,558,078	A	9/1996	Dunlap
D386,552	S	11/1997	Kunz
D406,300	S	3/1999	Fitzgerald, Jr.
D406,301	S	3/1999	Fitzgerald, Jr.
D410,272	S	5/1999	Fitzgerald, Jr.

5,911,215	A	6/1999	Fisher, Jr.	
6,021,770	A *	2/2000	Sodaro	124/89
D446,278	S	8/2001	Fitzgerald, Jr.	
6,425,697	B1	7/2002	Potts et al.	
D469,839	S	2/2003	Gibbs	
D477,855	S *	7/2003	Selvaggio	D22/108
6,672,299	B2	1/2004	Proctor	
6,678,988	B1	1/2004	Poff, Jr.	

(Continued)

*Primary Examiner* — Michael A Pratt

(74) *Attorney, Agent, or Firm* — Kammer Browning PLLC

(57) **CLAIM**

The ornamental design for a bow stabilizer, as shown and described.

**DESCRIPTION**

FIG. 1 is a perspective view of a first embodiment of a bow stabilizer showing our new design with three radially arranged rails.

FIG. 2 is a side elevational view of the first embodiment of the bow stabilizer shown in FIG. 1.

FIG. 3 is a top plan view of the first embodiment of the bow stabilizer shown in FIG. 1.

FIG. 4 is a first end elevational view of the first embodiment of the bow stabilizer shown in FIG. 1.

FIG. 5 is a second end elevational view of the first embodiment of the bow stabilizer shown in FIG. 1.

FIG. 6 is a perspective view of a second embodiment of a bow stabilizer showing our new design with four radially arranged rails.

FIG. 7 is a side elevational view of the second embodiment of the bow stabilizer shown in FIG. 6.

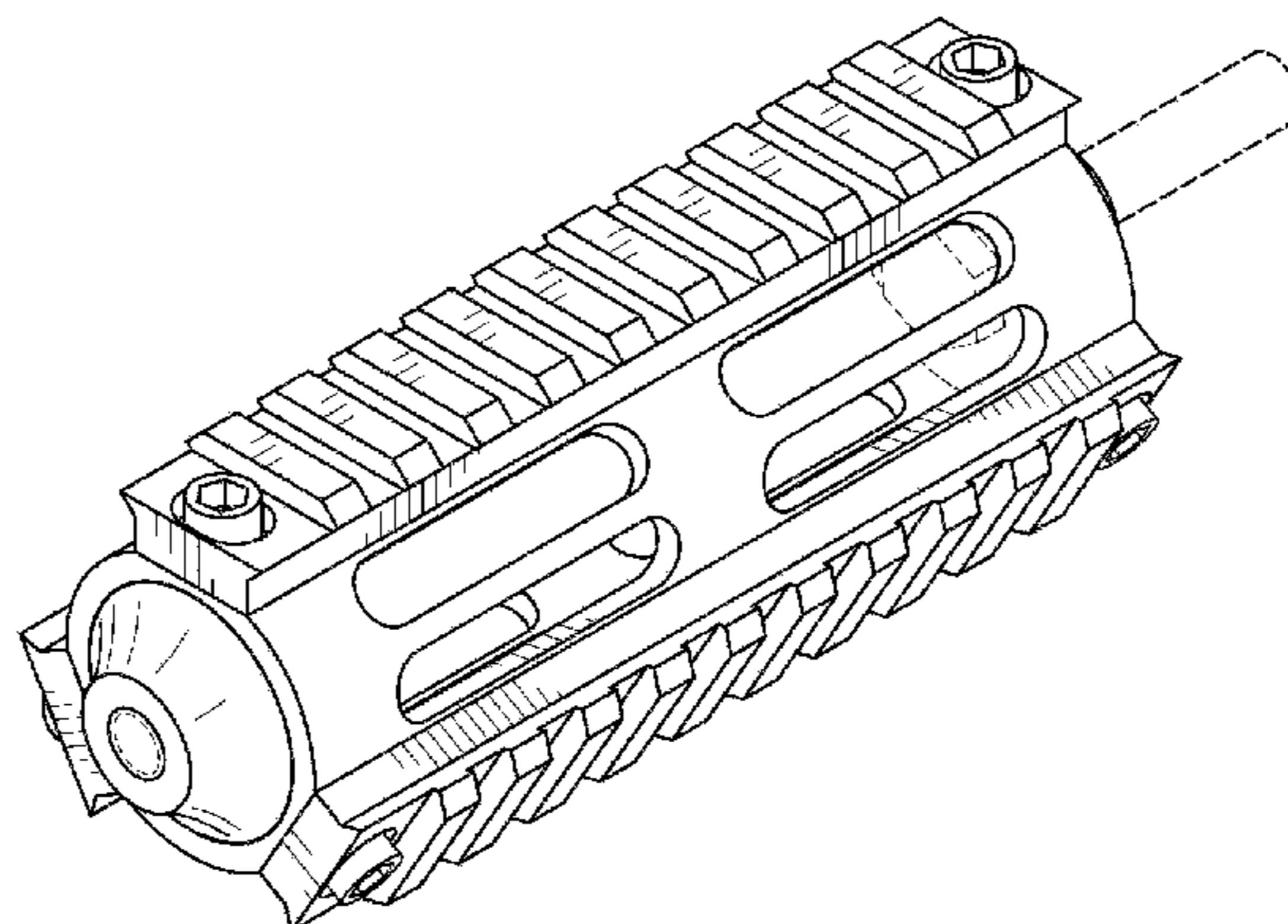
FIG. 8 is a top plan view of the second embodiment of the bow stabilizer shown in FIG. 6.

FIG. 9 is a first end elevational view of the second embodiment of the bow stabilizer shown in FIG. 6; and,

FIG. 10 is a second end elevational view of the second embodiment of the bow stabilizer shown in FIG. 6.

The broken line showing of aspects of the bow stabilizer in FIGS. 1 through 10 is included for the purpose of illustrating environment and forms no part of the claimed design.

**1 Claim, 6 Drawing Sheets**



(56)

**References Cited**

U.S. PATENT DOCUMENTS

6,722,076 B2	4/2004	Nielsen	
6,742,723 B2	6/2004	Felegy	
6,796,038 B2	9/2004	Humphries	
6,895,676 B1	5/2005	Mendyk	
7,006,144 B2	2/2006	Holmberg	
D561,292 S	2/2008	Butcher	
7,327,394 B2	2/2008	Holmberg	
7,506,643 B2	3/2009	Holmberg	
D590,473 S *	4/2009	Fitzpatrick et al.	..... D22/103
7,594,352 B2	9/2009	Holmberg	
D610,219 S	2/2010	Harris et al.	
D641,450 S *	7/2011	Ding	..... D22/108
8,024,884 B2	9/2011	Holmberg	
8,065,807 B2	11/2011	Rucinski	
8,065,994 B2	11/2011	Holmberg	
8,161,674 B2	4/2012	Holmberg	
D662,168 S	6/2012	Sims et al.	
8,205,375 B1	6/2012	Swan	
D670,349 S	11/2012	Felt et al.	
D692,516 S *	10/2013	Yan et al.	..... D22/108
8,567,382 B2 *	10/2013	Kingsbury et al.	..... 124/89
8,695,580 B2 *	4/2014	LoRocco	..... 124/89
D709,582 S *	7/2014	Geissele	..... D22/108
D732,628 S *	6/2015	Cheng et al.	..... D22/108
2004/0000083 A1	1/2004	Grant, Jr.	
2004/0007224 A1	1/2004	Brown, Jr.	
2004/0016169 A1	1/2004	Poff, Jr.	
2008/0000465 A1	1/2008	Holmberg	
2010/0224177 A1	9/2010	Kaylan	

\* cited by examiner

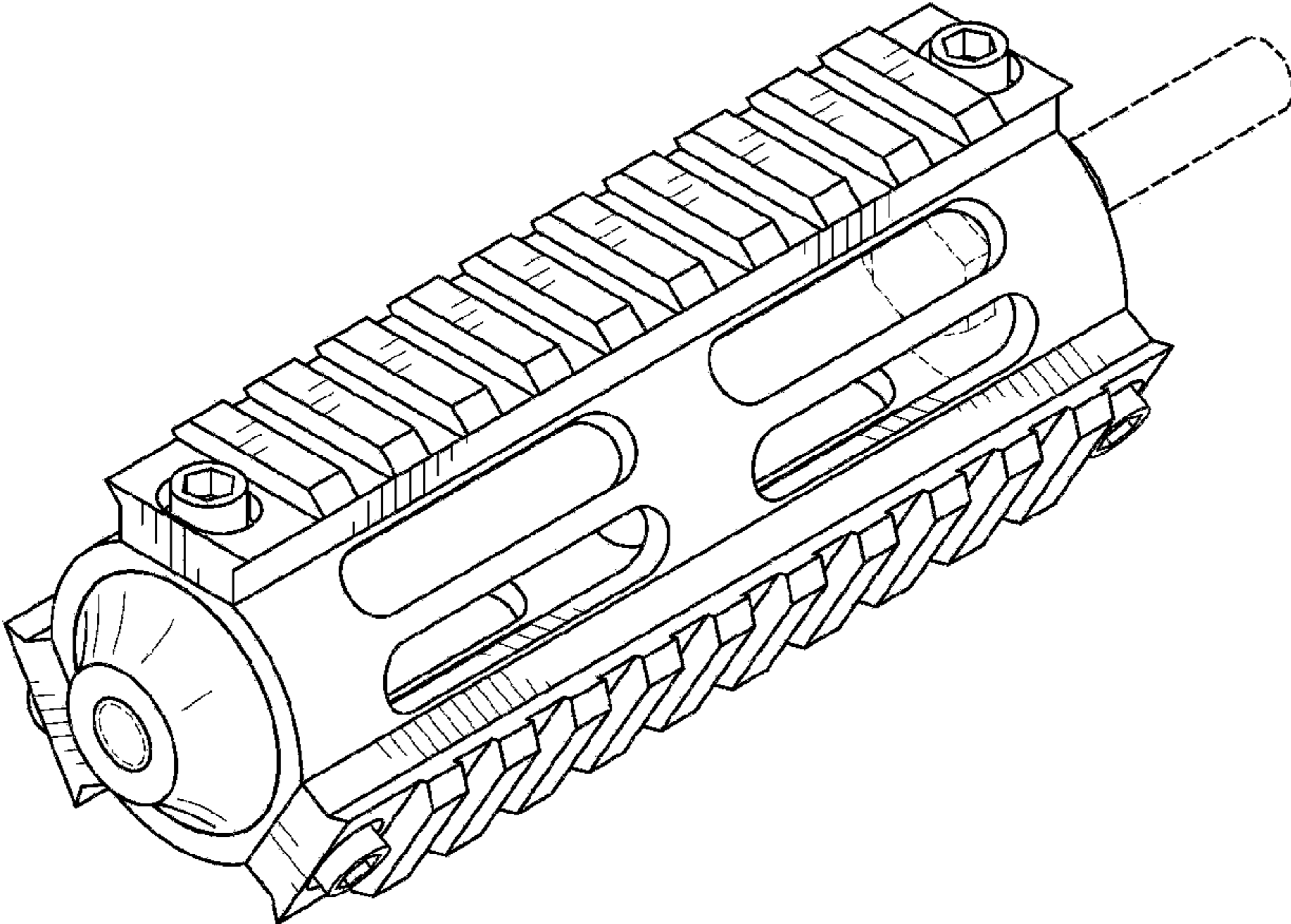


FIG. 1

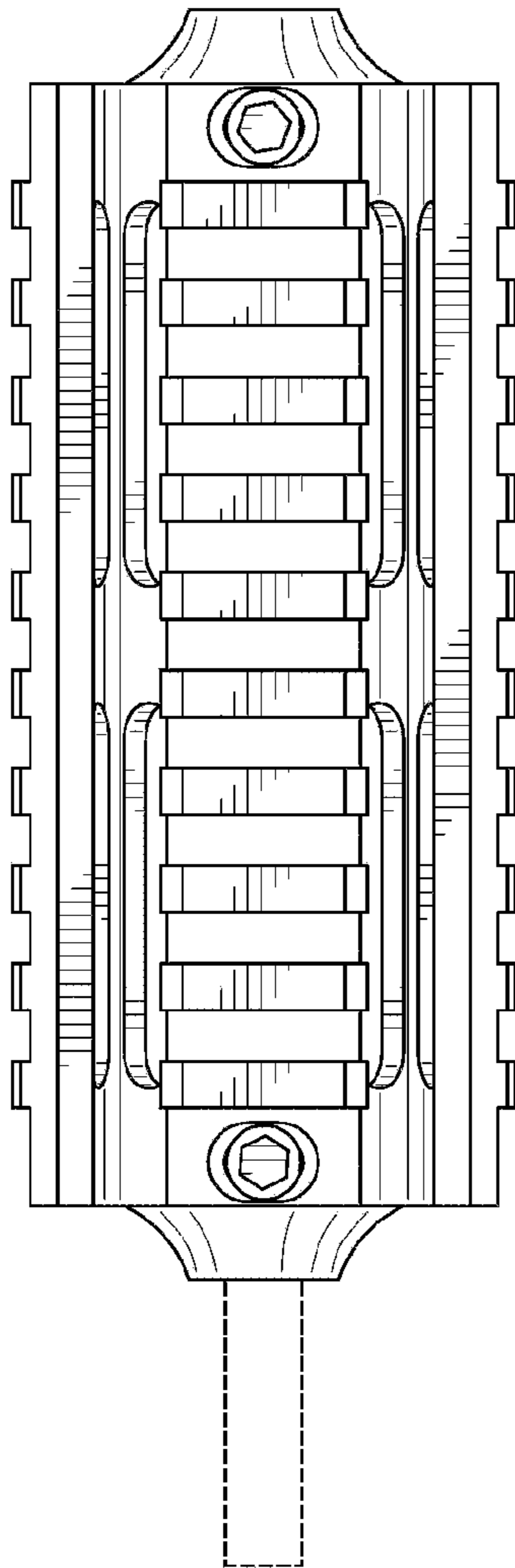


FIG. 2

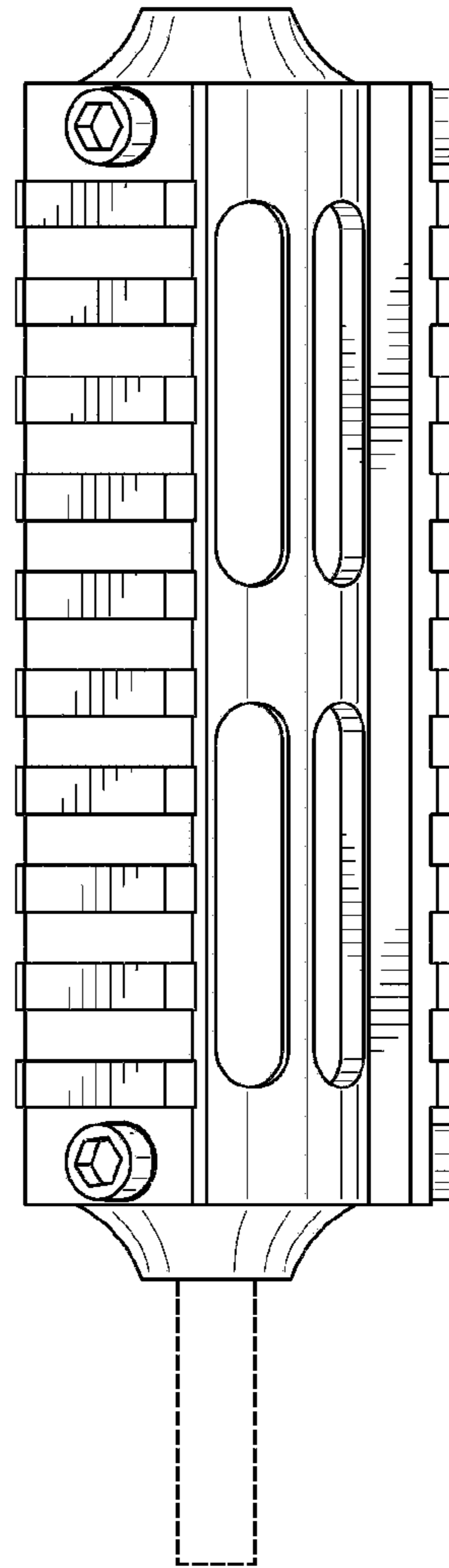


FIG. 3

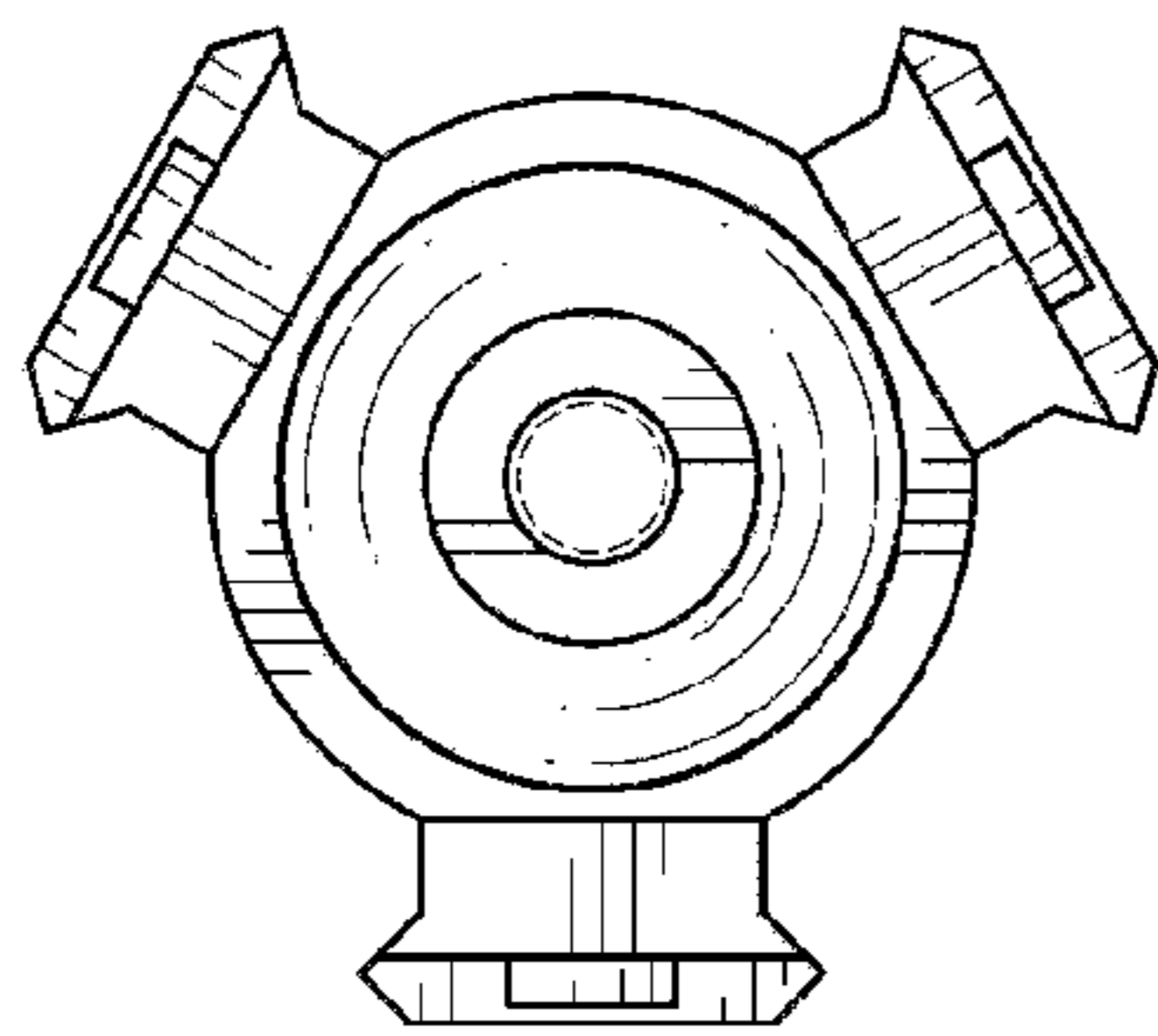


FIG. 4

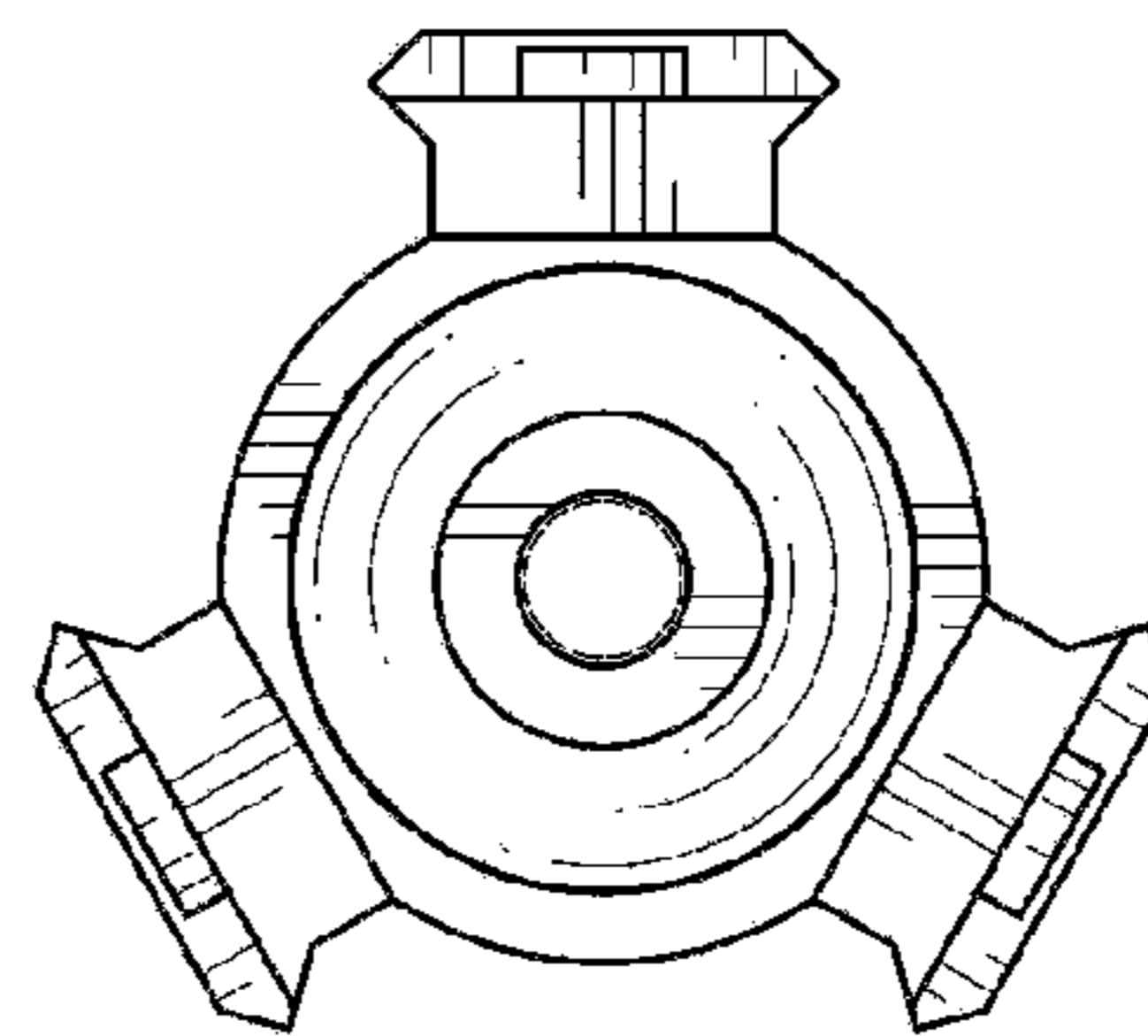


FIG. 5

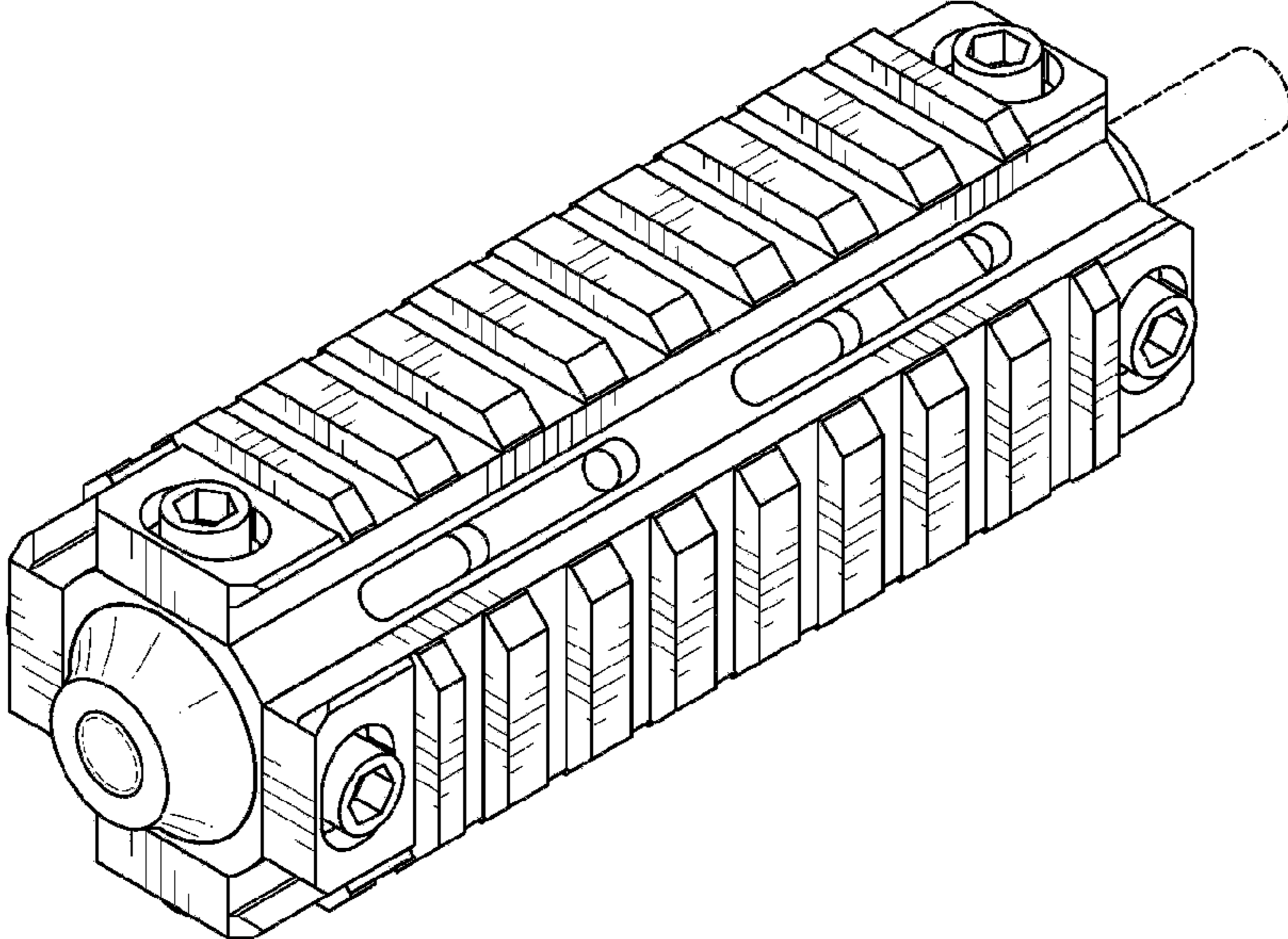


FIG. 6

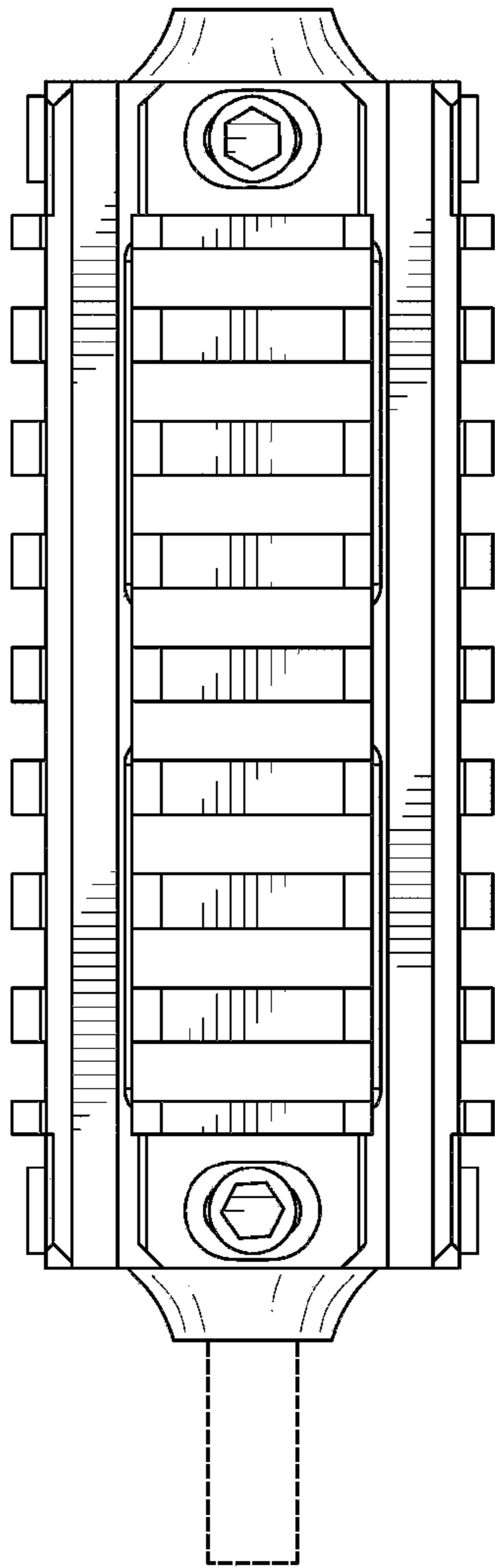


FIG. 7

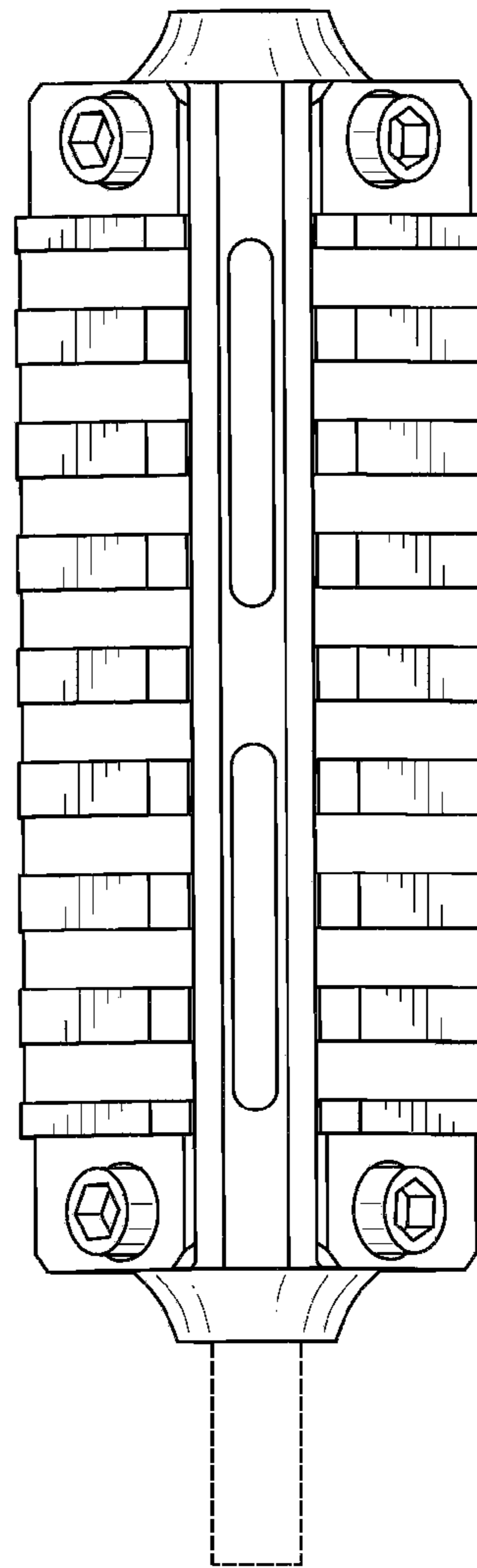


FIG. 8

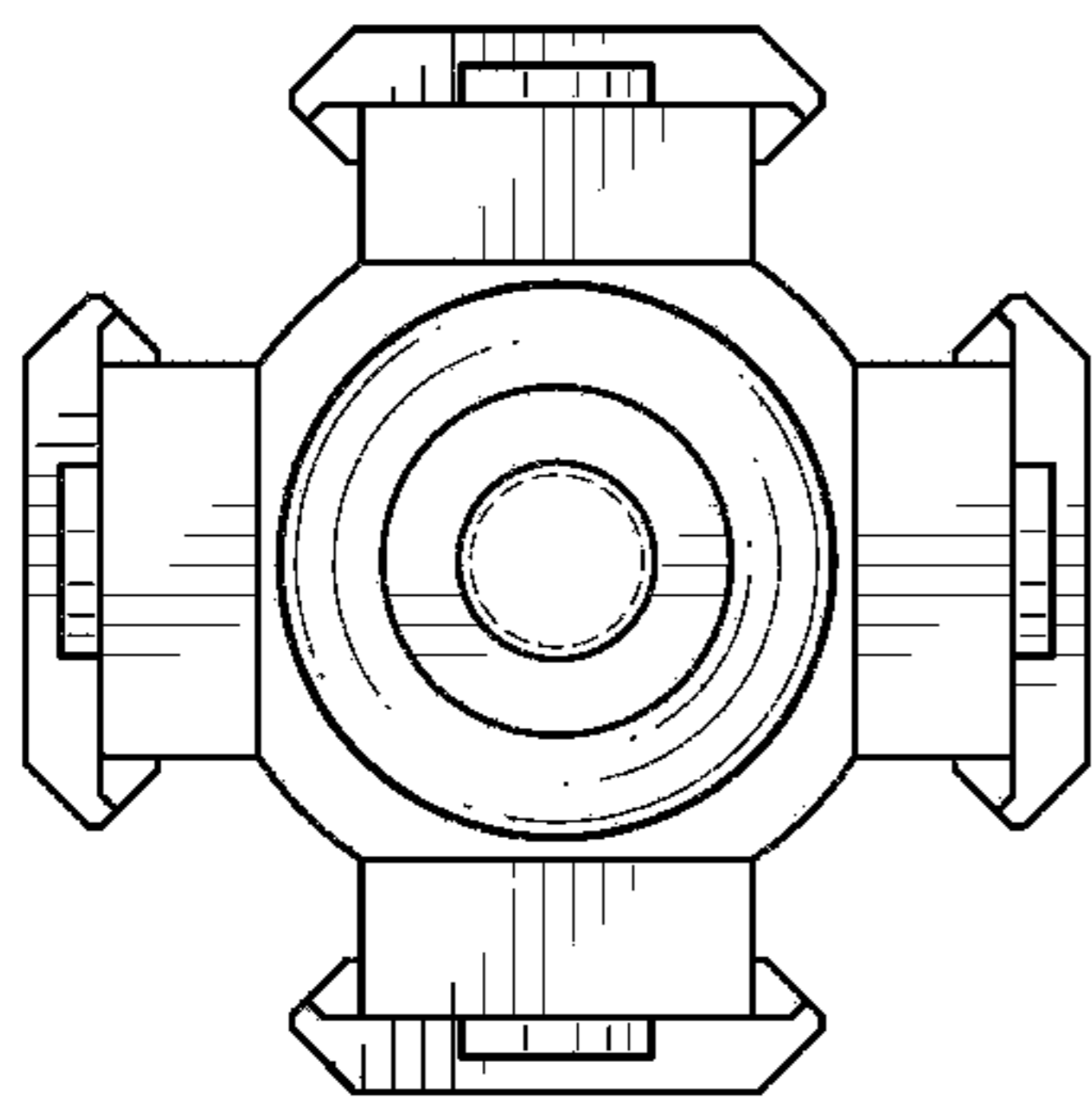


FIG. 9

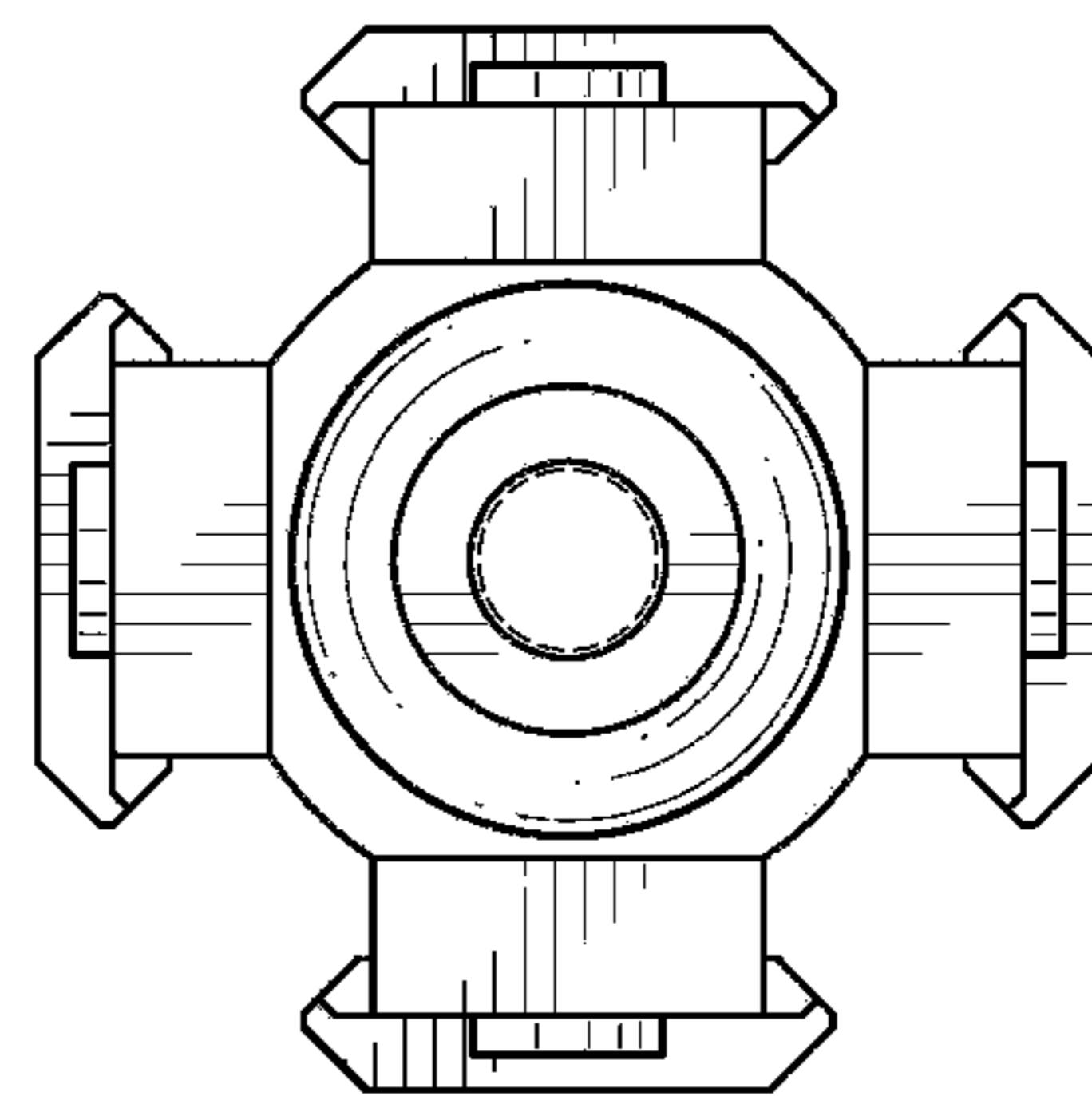


FIG. 10