



US00D746396S

(12) **United States Design Patent**
Folkestad, II et al.

(10) **Patent No.:** **US D746,396 S**
(45) **Date of Patent:** **** Dec. 29, 2015**

- (54) **SEMIAUTOMATIC FIREARM**
- (71) Applicant: **CreativeArms, LLC**, Des Moines, IA (US)
- (72) Inventors: **Robert Folkestad, II**, Des Moines, IA (US); **Daniel Welch**, Des Moines, IA (US); **Michael Six**, Norwalk, IA (US); **Joel Fleming**, Grimes, IA (US)
- (73) Assignee: **CREATIVEARMS, LLC**, Des Moines, IA (US)

6,499,245	B1	12/2002	Swan
6,609,321	B2	8/2003	Faifer
6,618,976	B1	9/2003	Swan
6,860,053	B2	3/2005	Christiansen
RE39,465	E	1/2007	Swan
7,204,052	B2	4/2007	Swan
7,216,451	B1	5/2007	Troy
7,231,861	B1	6/2007	Gauny et al.
RE40,216	E	4/2008	Swan
7,356,962	B2	4/2008	Swan
7,458,179	B2	12/2008	Swan
7,493,721	B2	2/2009	Swan
7,596,900	B2*	10/2009	Robinson et al. 42/7
7,669,359	B2	3/2010	Kim

(**) Term: **14 Years**

(21) Appl. No.: **29/493,474**

(22) Filed: **Jun. 10, 2014**

(51) **LOC (10) Cl.** **22-01**

(52) **U.S. Cl.**
USPC **D22/103**

(58) **Field of Classification Search**
USPC D22/103, 108; D21/572-575; 124/67, 124/66, 72, 74; 89/40.06, 41.19, 37.04, 89/33.04, 191.01, 200-204; 42/2-17
CPC F41C 7/00; F41C 7/11; F41C 7/12
See application file for complete search history.

(56) **References Cited**

U.S. PATENT DOCUMENTS

4,536,982	A	8/1985	Bredbury et al.
4,663,875	A	5/1987	Tatro
4,742,636	A	5/1988	Swan
D300,161	S	3/1989	Baldus et al.
4,845,871	A	7/1989	Swan
5,142,806	A	9/1992	Swan
5,198,600	A	3/1993	E'Nama
5,276,988	A	1/1994	Swan
5,343,650	A	9/1994	Swan
5,533,292	A	7/1996	Swan
6,490,822	B1	12/2002	Swan

(Continued)

Primary Examiner — Michael A Pratt

(74) Attorney, Agent, or Firm — Christopher A. Proskey

(57) **CLAIM**

We claim the ornamental design for a semiautomatic firearm, substantially as shown and described.

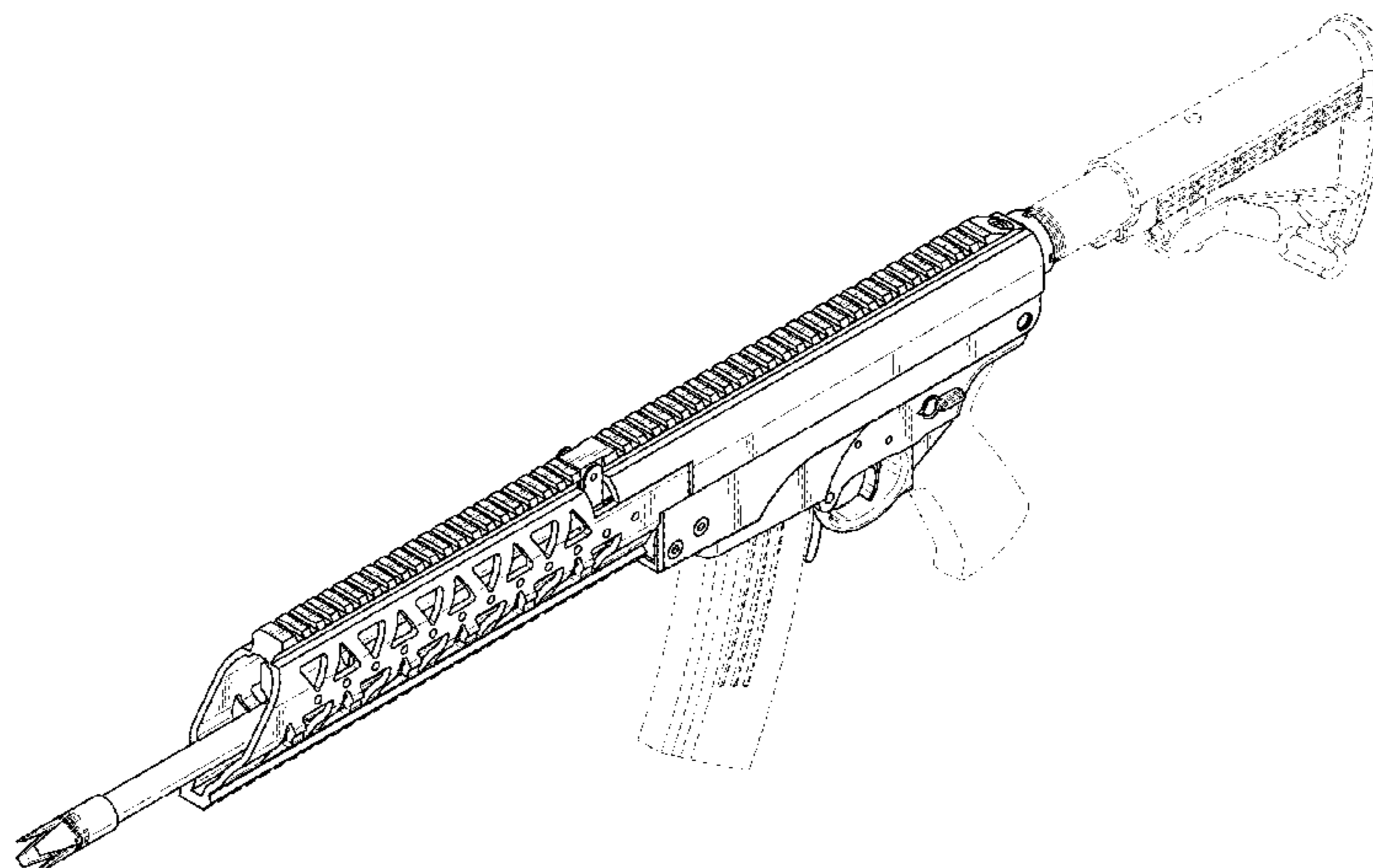
DESCRIPTION

FIG. 1 is a top, front, left perspective view of a semiautomatic firearm, the view showing the design of the semiautomatic firearm;

FIG. 2 is a front elevation view of the semiautomatic firearm; FIG. 3 is a rear elevation view of the semiautomatic firearm; FIG. 4 is a left side elevation view of the semiautomatic firearm; FIG. 5 is a right side elevation view of the semiautomatic firearm; FIG. 6 is a top elevation view of the semiautomatic firearm; and, FIG. 7 is a bottom elevation view of the semiautomatic firearm.

The broken lines showing portions of the design in all figures is included for the purpose of illustrating environment and unclaimed features and forms not part of the claimed design.

1 Claim, 5 Drawing Sheets



(56)

References Cited

U.S. PATENT DOCUMENTS

7,716,865	B2	5/2010	Daniel et al.	8,726,558	B1	5/2014	Nason
7,753,679	B1	7/2010	Schuetz	8,739,448	B2	6/2014	Kimmel et al.
7,798,045	B1	9/2010	Fitzpatrick et al.	D719,234	S *	12/2014	Hochstrate D22/103
7,832,326	B1 *	11/2010	Barrett 89/191.01	8,931,393	B1 *	1/2015	Vincent et al. 89/136
D637,684	S	5/2011	Kimmel et al.	D729,893	S *	5/2015	Foster D22/103
D639,376	S	6/2011	Ding	D733,827	S *	7/2015	Serbu D22/103
D644,294	S	8/2011	Clary	2005/0241211	A1	11/2005	Swan
8,020,334	B2	9/2011	Delmonico	2005/0268513	A1	12/2005	Battaglia
8,276,304	B2	10/2012	Samson et al.	2006/0010748	A1	1/2006	Stoner et al.
D673,239	S	12/2012	Cheng	2006/0026883	A1	2/2006	Hochstrate et al.
D680,611	S *	4/2013	Emde et al. D22/103	2006/0236582	A1	10/2006	Lewis et al.
8,505,228	B2	8/2013	Cheng	2006/0260169	A1	11/2006	Samson et al.
8,522,467	B1	9/2013	Christensen et al.	2007/0006509	A1	1/2007	DeSomma et al.
8,528,246	B2	9/2013	Telles	2007/0017139	A1	1/2007	Larue
8,561,335	B2	10/2013	Brown	2008/0092422	A1	4/2008	Daniel et al.
8,689,478	B2	4/2014	Patel	2010/0154280	A1	6/2010	LaFrance et al.
				2010/0236395	A1	9/2010	Akhavan
				2011/0247254	A1	10/2011	Barnes
				2013/0068089	A1 *	3/2013	Brown 89/193

* cited by examiner

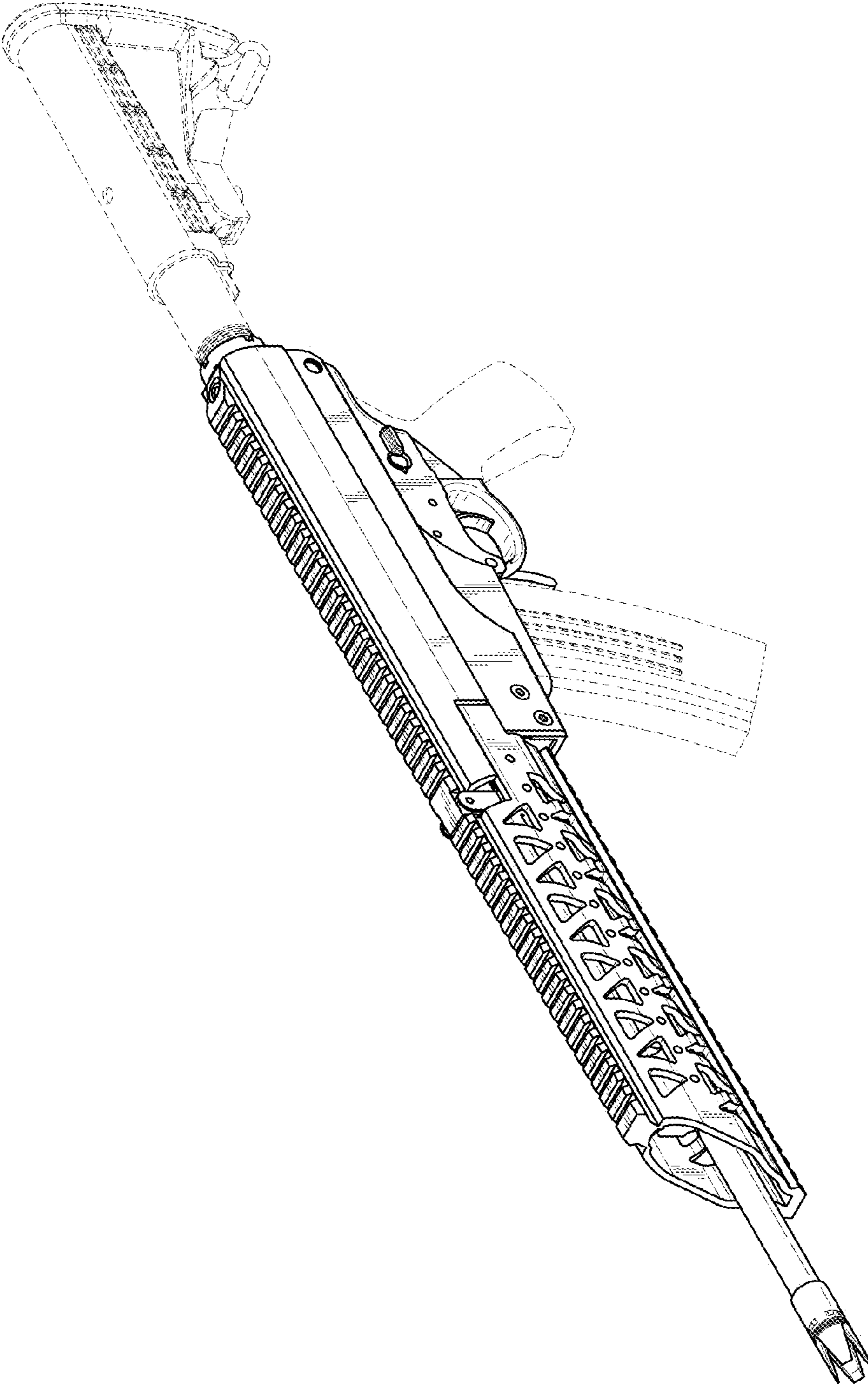


FIG. 1

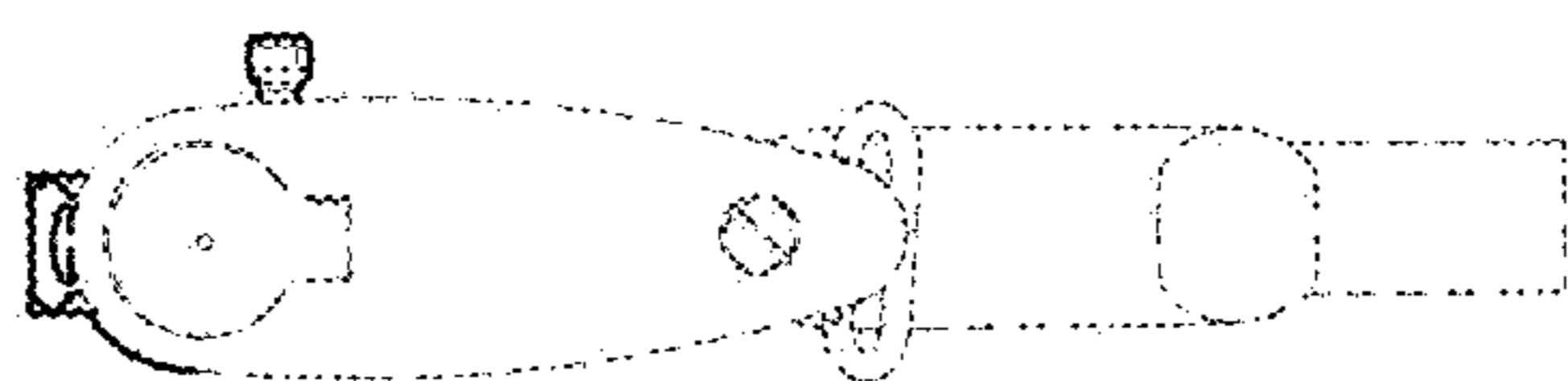


FIG. 3

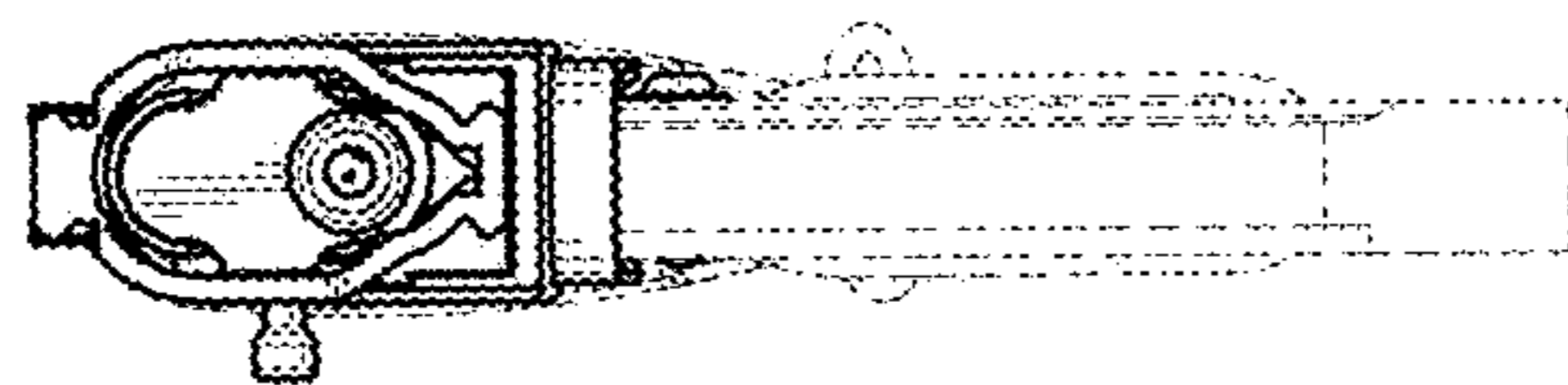


FIG. 2

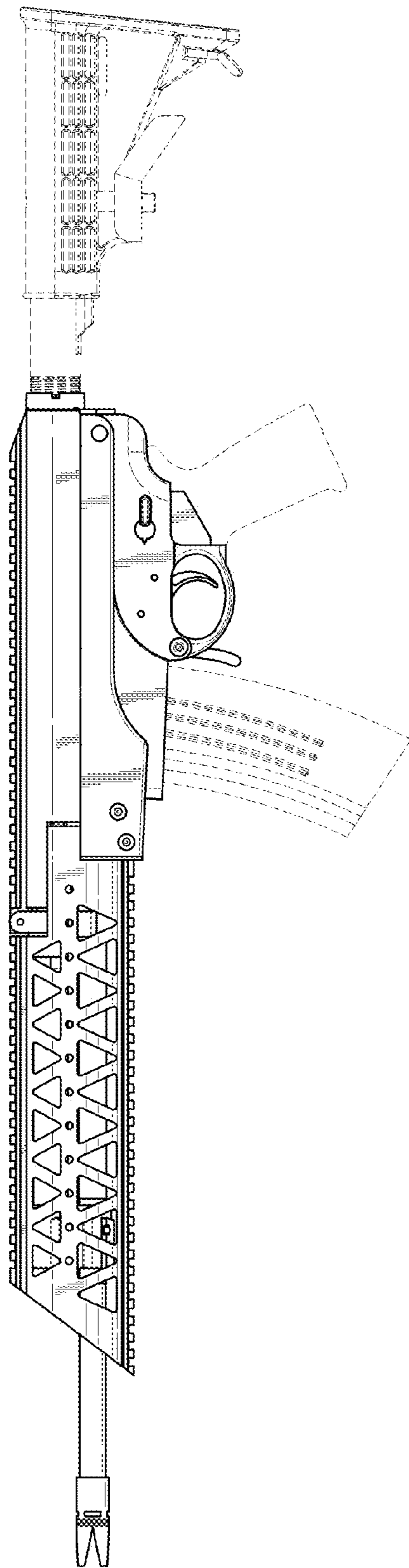


FIG. 4

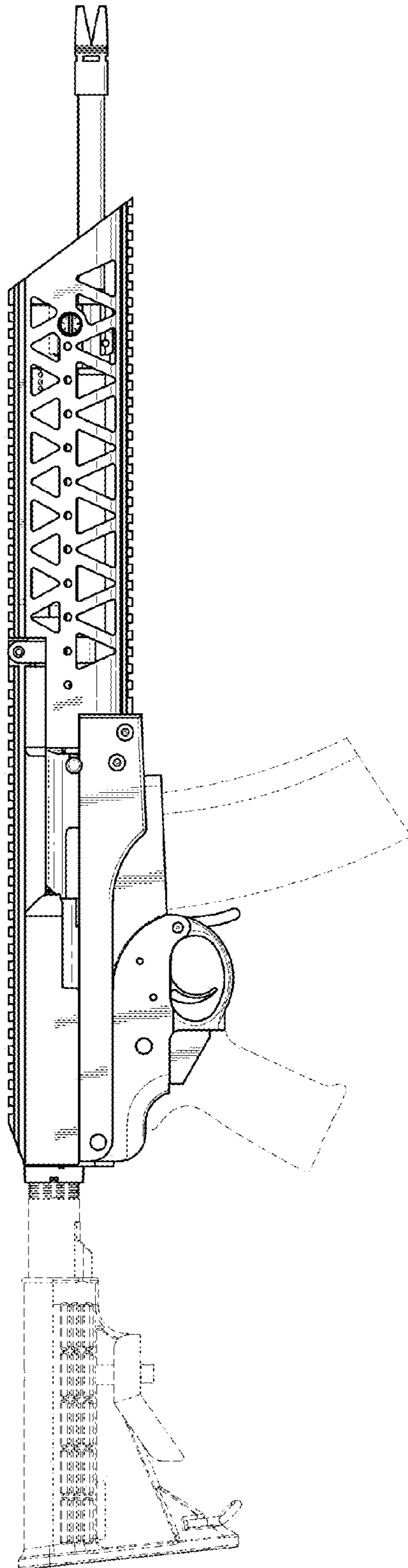


FIG. 5

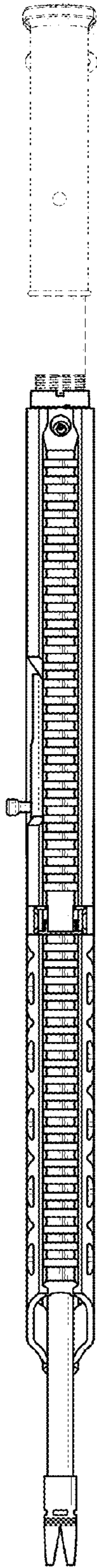


FIG. 6

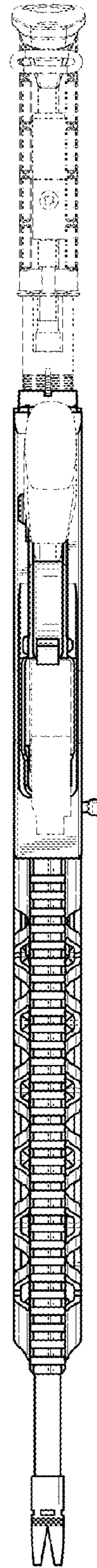


FIG. 7