



US00D746395S

(12) **United States Design Patent**  
**Rademacher et al.**

(10) **Patent No.:** **US D746,395 S**

(45) **Date of Patent:** **\*\* Dec. 29, 2015**

(54) **INFLATABLE STRUCTURE FOR THE PURPOSE OF SUN PROTECTION**

(71) Applicant: **Wibit Sports GmbH**, Bocholt (DE)

(72) Inventors: **Romann Rademacher**, Bocholt (DE);  
**Robert Cirjak**, Bocholt (DE)

(73) Assignee: **Wibit Sports GmbH**, Bocholt (DE)

(\*\*) Term: **14 Years**

(21) Appl. No.: **29/509,693**

(22) Filed: **Nov. 20, 2014**

(30) **Foreign Application Priority Data**

May 23, 2014 (EM) ..... 002469585

(51) **LOC (10) Cl.** ..... **21-04**

(52) **U.S. Cl.**  
USPC ..... **D21/837**; D21/835

(58) **Field of Classification Search**  
USPC ..... D21/824, 837, 838, 811, 814; D25/56  
CPC ..... E04H 15/20; E04H 2015/201; E04H  
2015/204  
See application file for complete search history.

(56) **References Cited**

**U.S. PATENT DOCUMENTS**

5,555,679 A \* 9/1996 Scherba ..... E04H 15/20  
135/126  
D422,667 S \* 4/2000 Lau ..... D21/814

6,209,150 B1 \* 4/2001 Hsu ..... E04H 4/0025  
4/499  
D504,488 S \* 4/2005 Peterson ..... D21/803  
D515,167 S \* 2/2006 Capwell ..... D21/803  
D608,406 S \* 1/2010 Cobb, II ..... D21/835  
D620,995 S \* 8/2010 Hamad ..... D21/835  
D639,886 S \* 6/2011 Cirjak ..... D21/811  
2012/0260959 A1 \* 10/2012 Leavitt ..... E04H 15/20  
135/96

\* cited by examiner

*Primary Examiner* — Cynthia M Chin

(74) *Attorney, Agent, or Firm* — Roberts Mlotkowski Safran & Cole, PC; David S. Safran

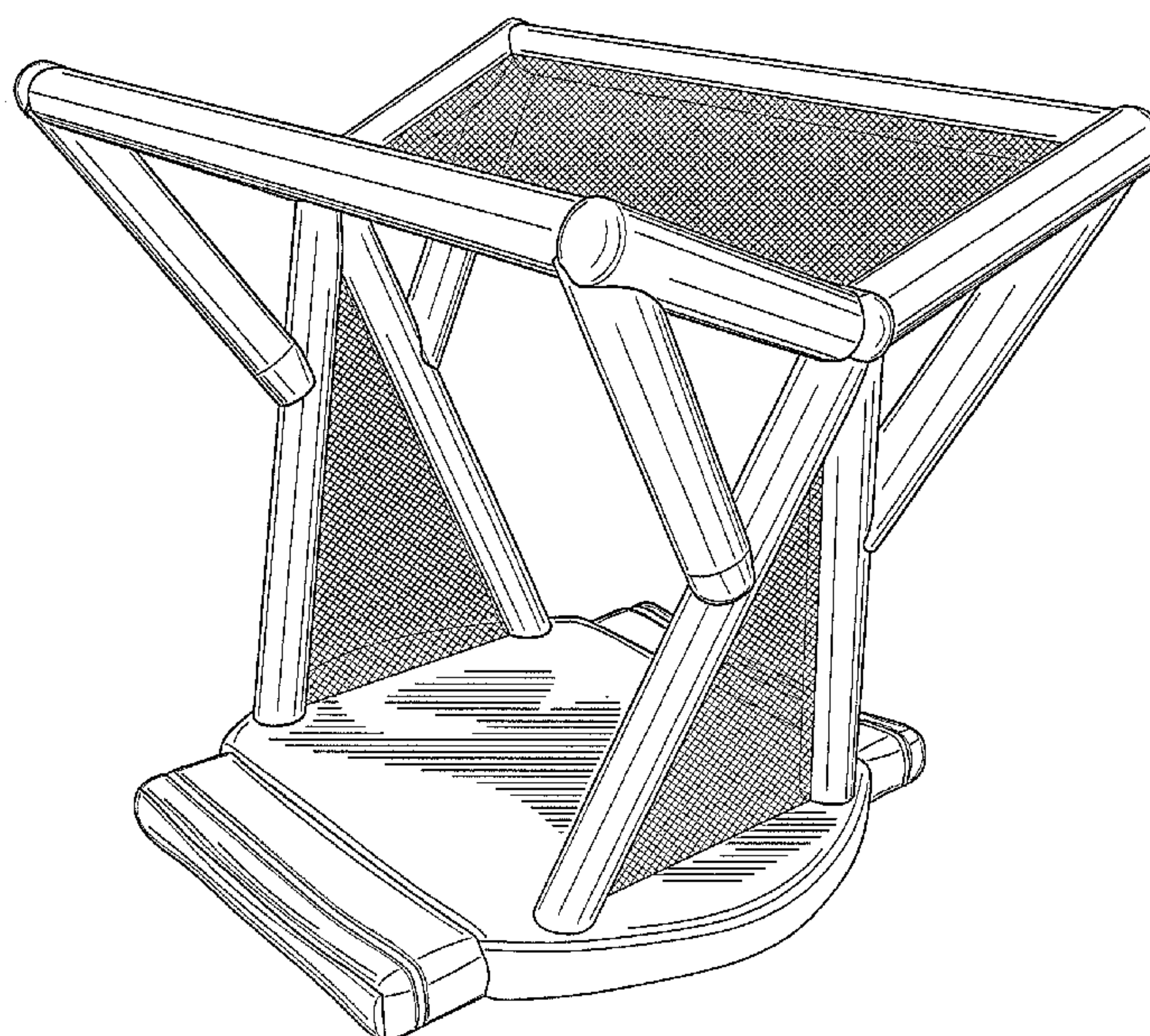
(57) **CLAIM**

The ornamental design for an inflatable structure for the purpose of sun protection, as shown and described.

**DESCRIPTION**

FIG. 1 is a perspective view of a inflatable structure for the purpose of sun protection in accordance with the present invention as seen from above and to one side;  
FIG. 2 is a perspective view of our design from below and to the same side as in FIG. 1;  
FIG. 3 is a front elevational view of our design;  
FIG. 4 is a rear end elevational view thereof;  
FIG. 5 is a right side elevational view thereof;  
FIG. 6 is a left side elevational view thereof;  
FIG. 7 is a top plan view thereof; and,  
FIG. 8 is a bottom plan view thereof.

**1 Claim, 8 Drawing Sheets**



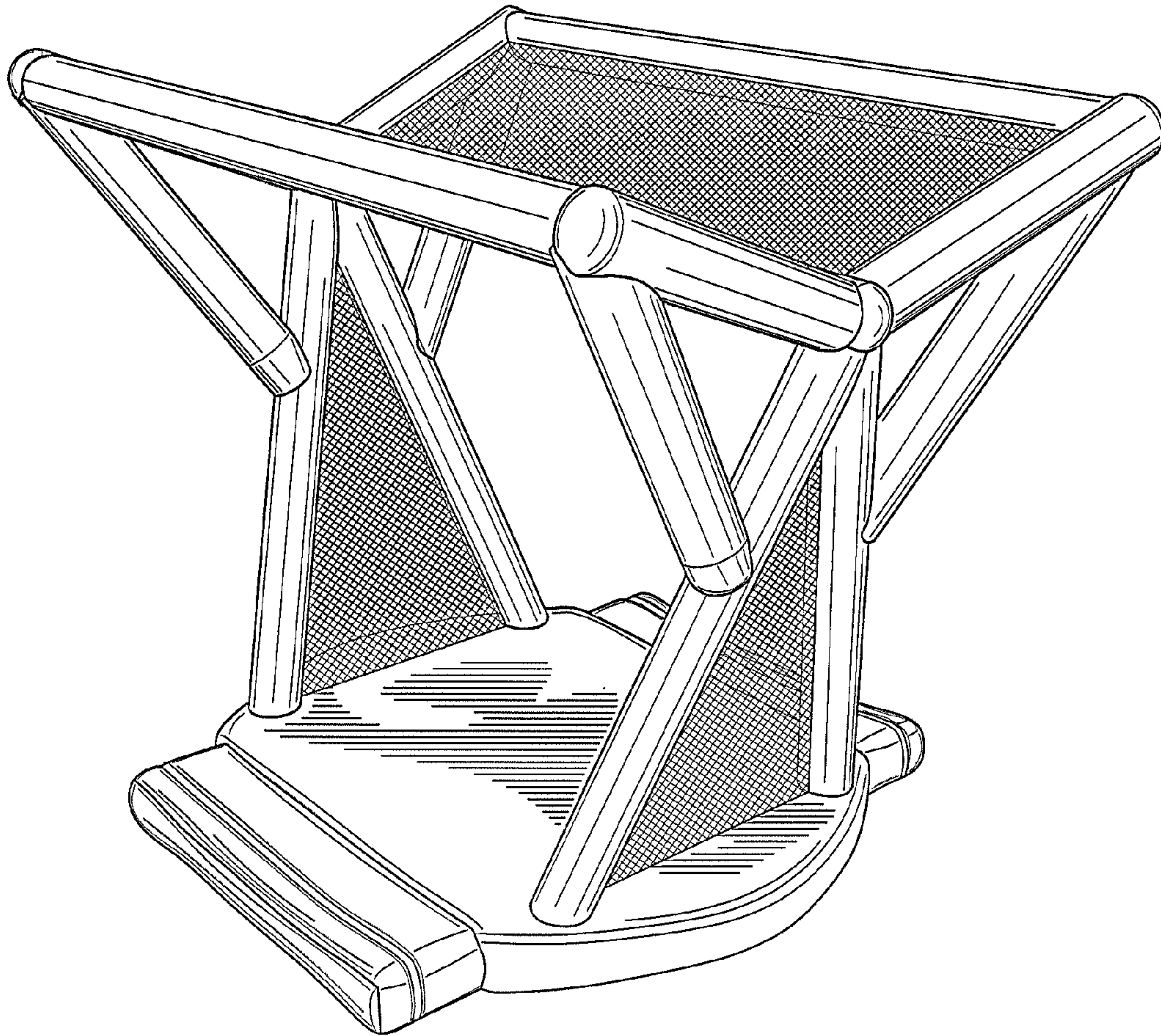


FIG. 1



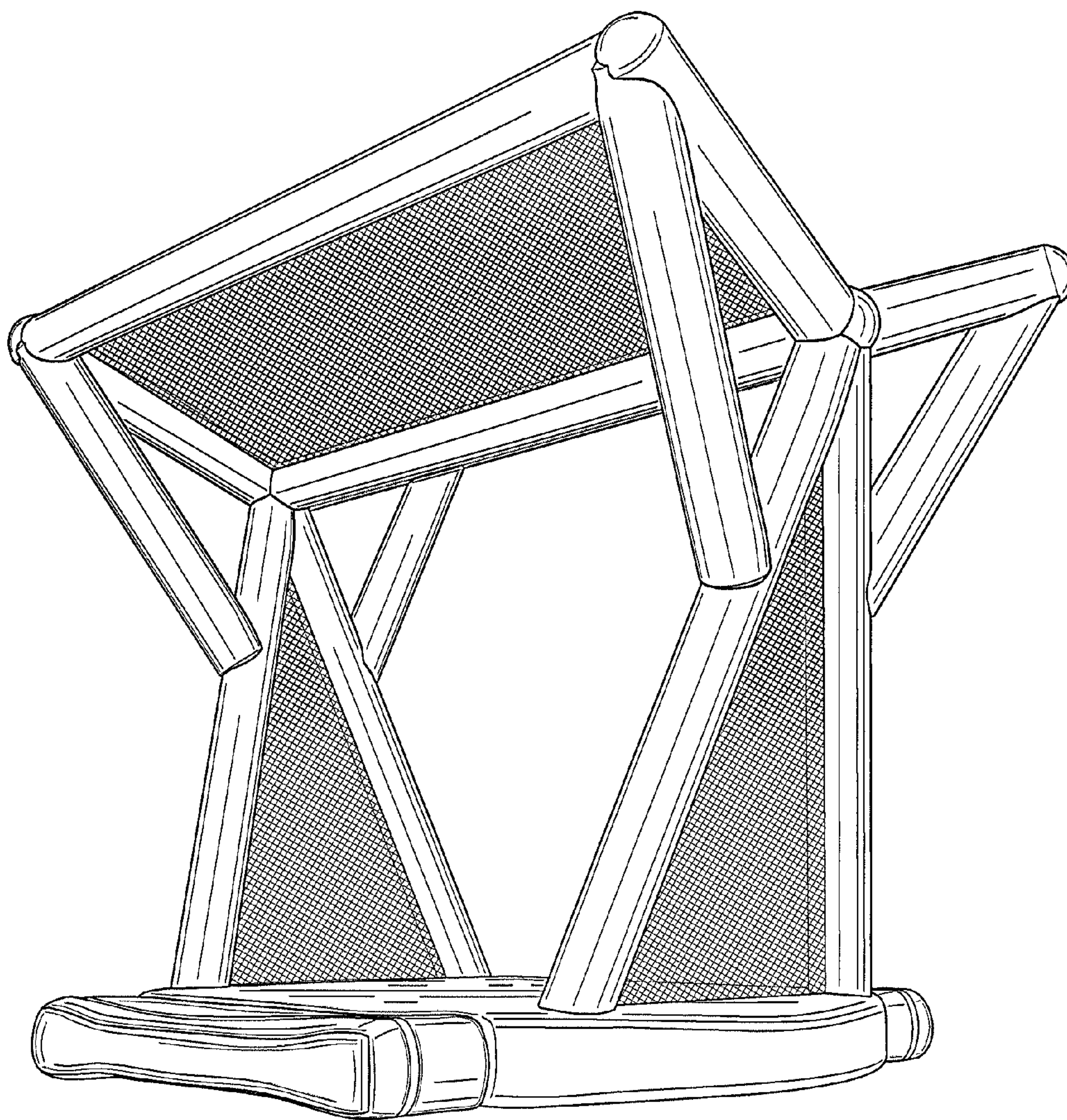


FIG. 2

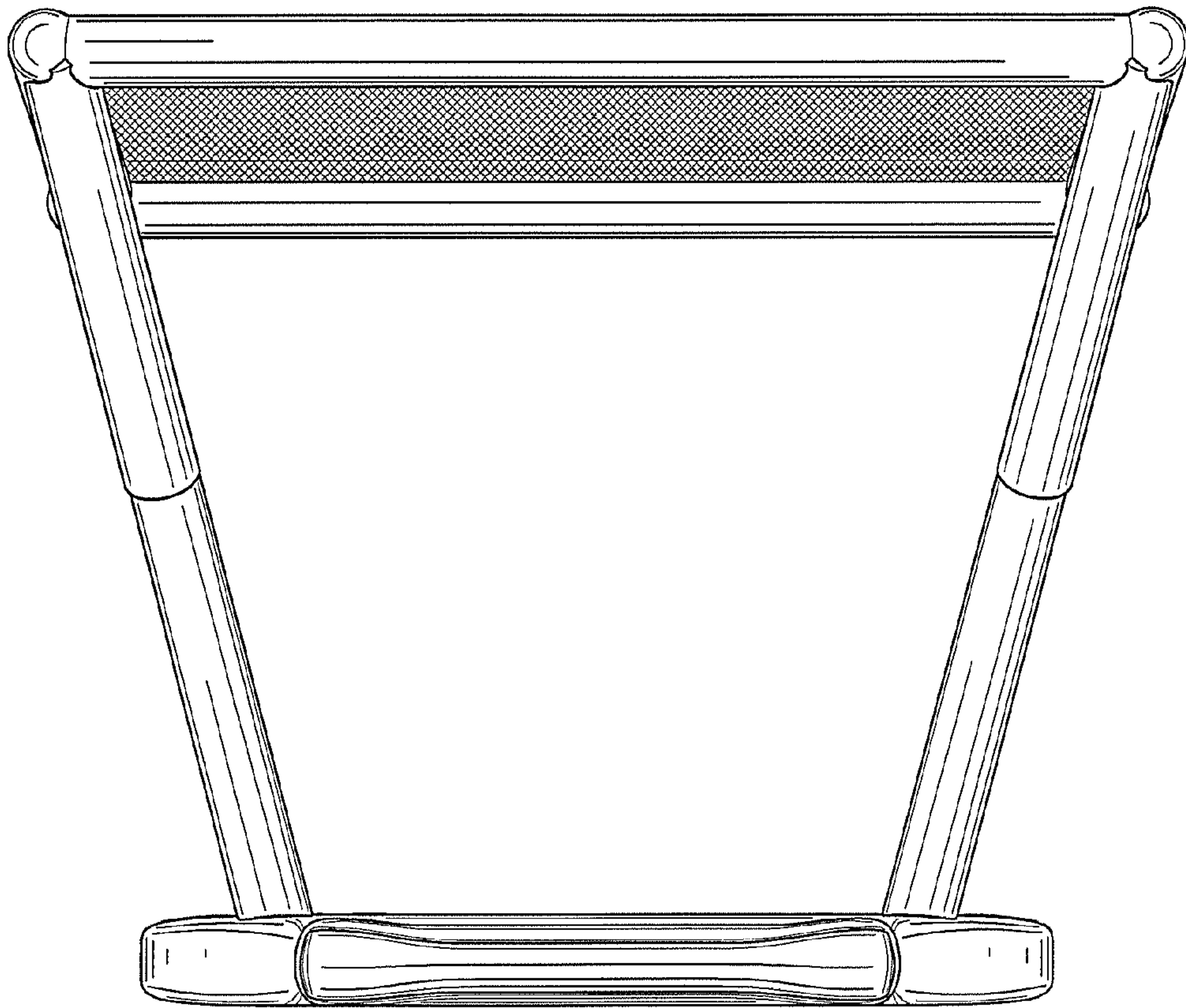


FIG. 3

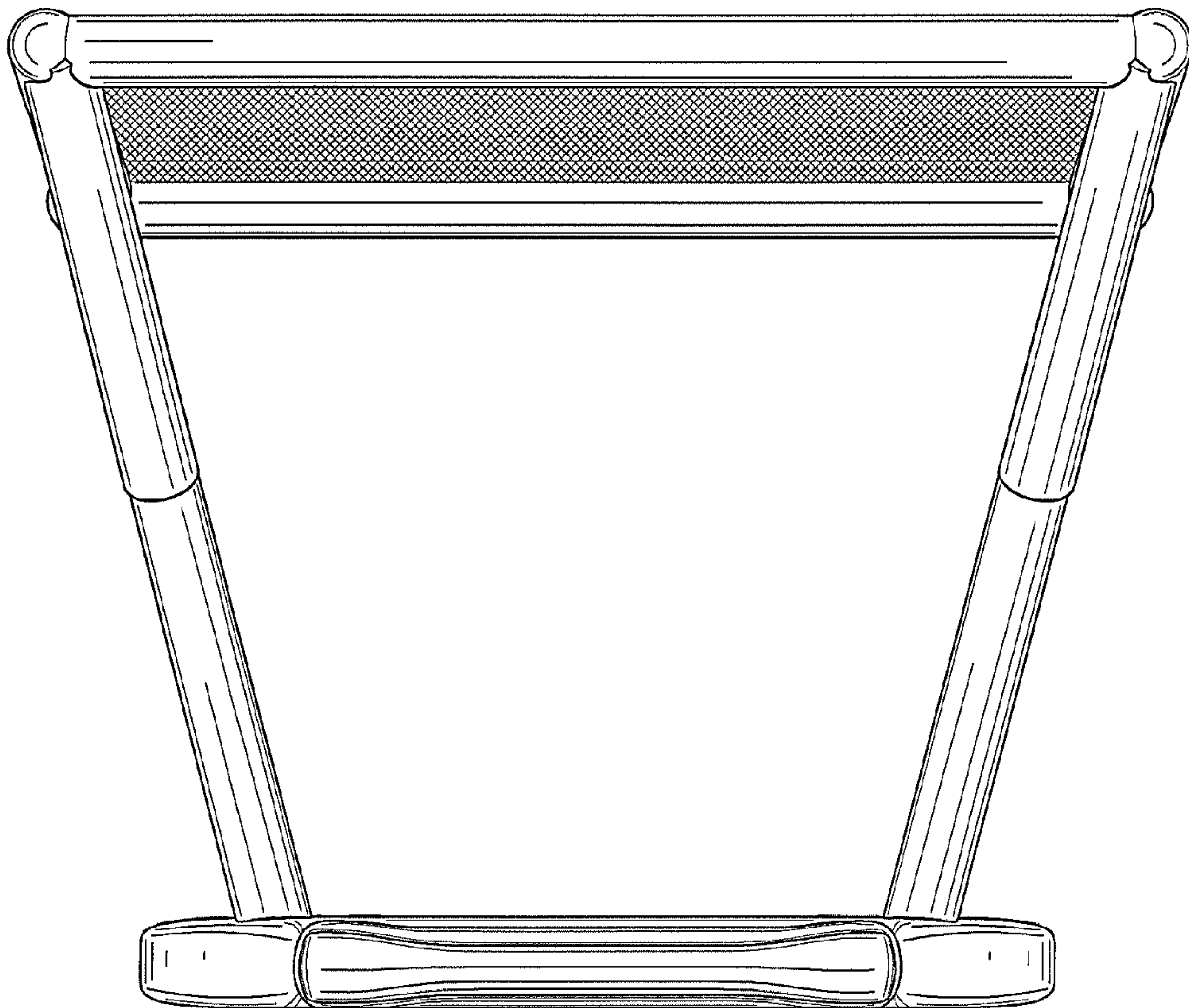


FIG. 4



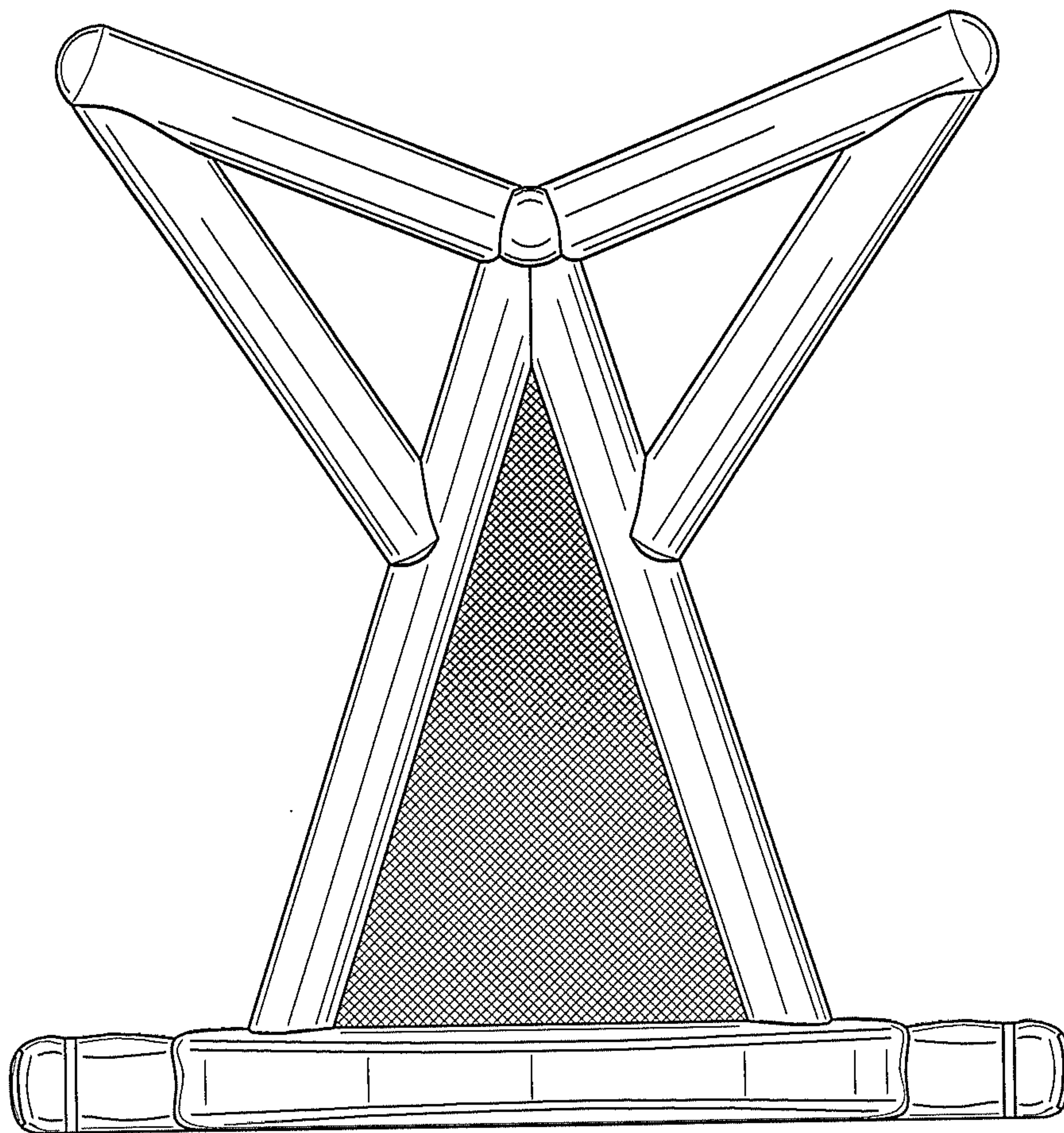


FIG. 5

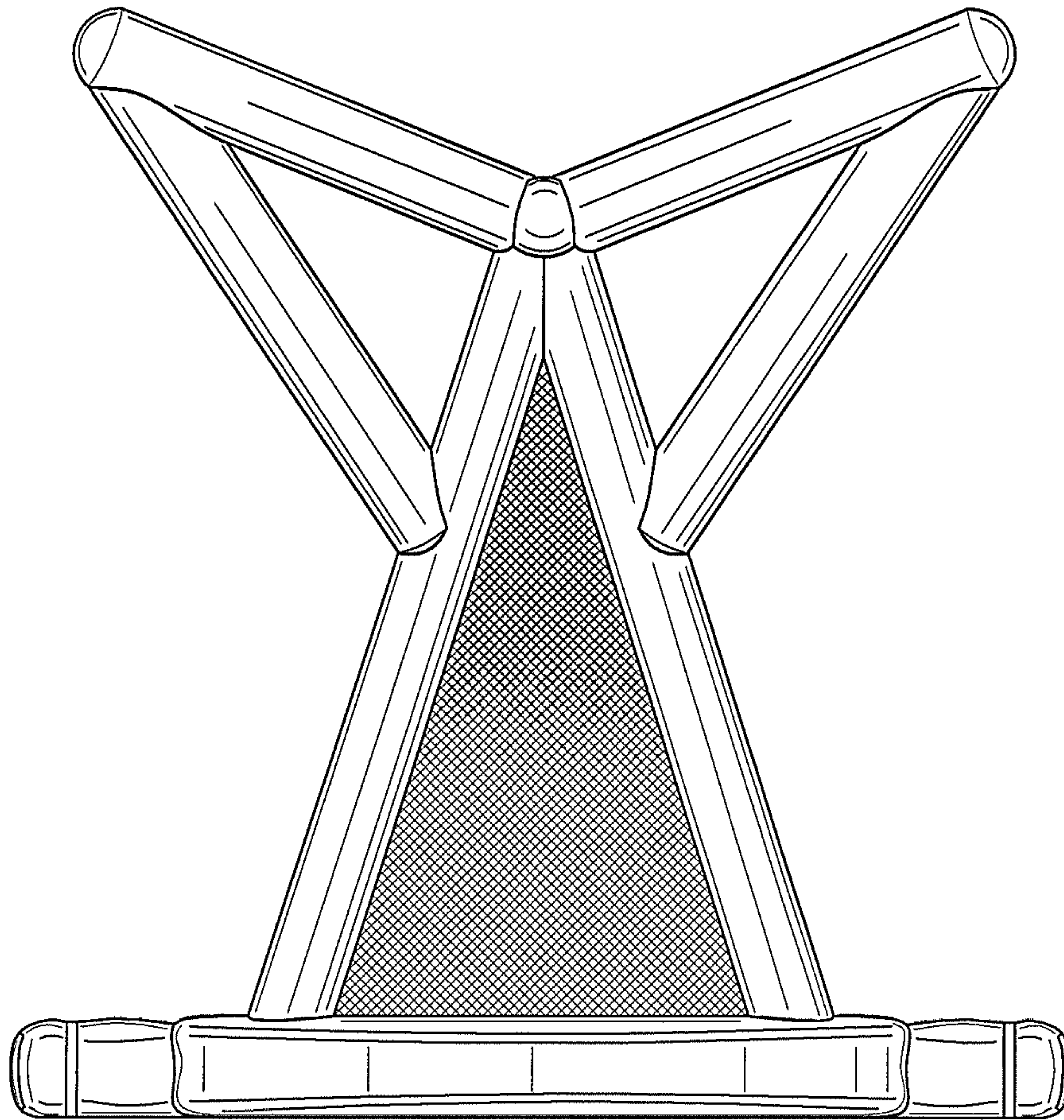


FIG. 6



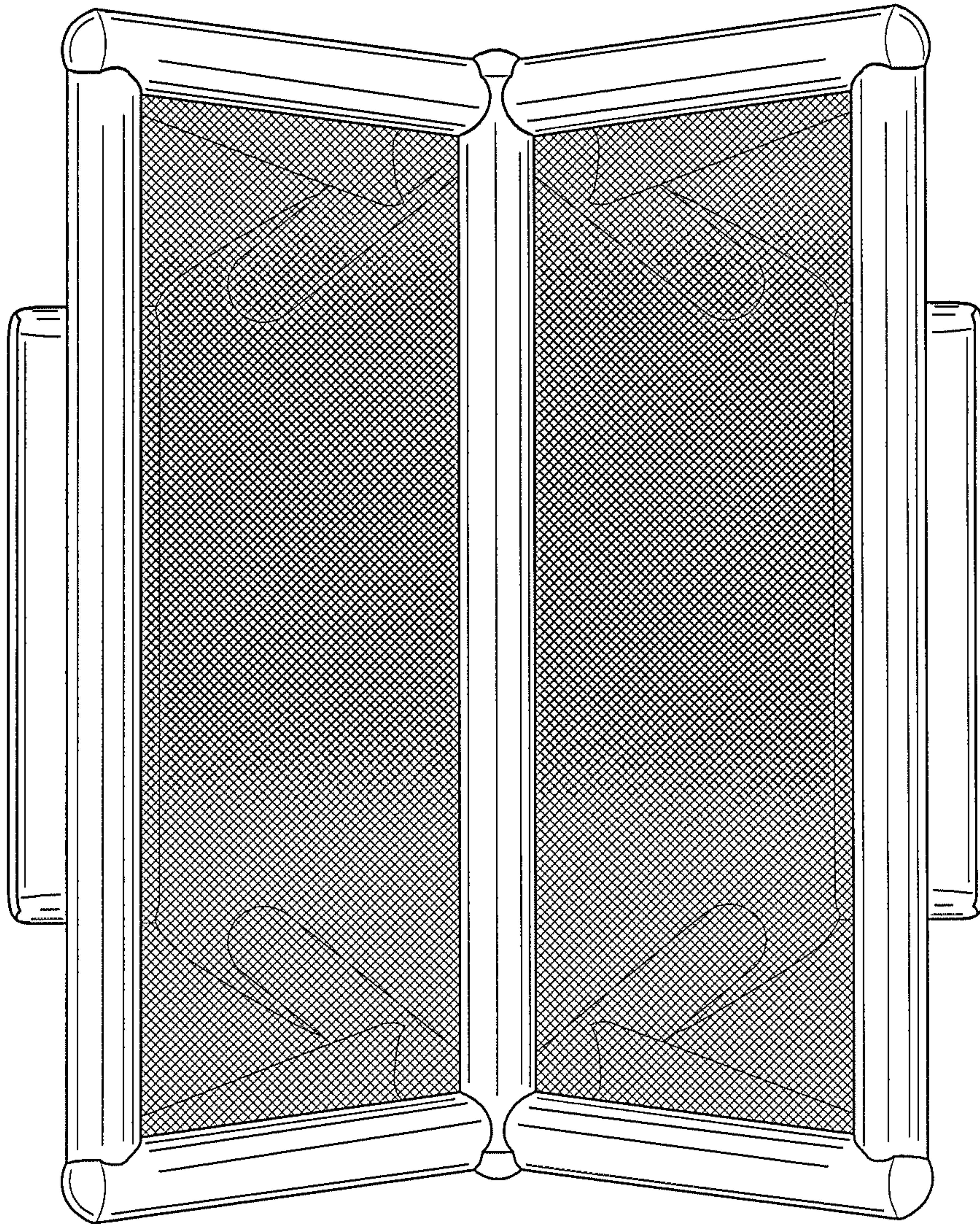


FIG. 7



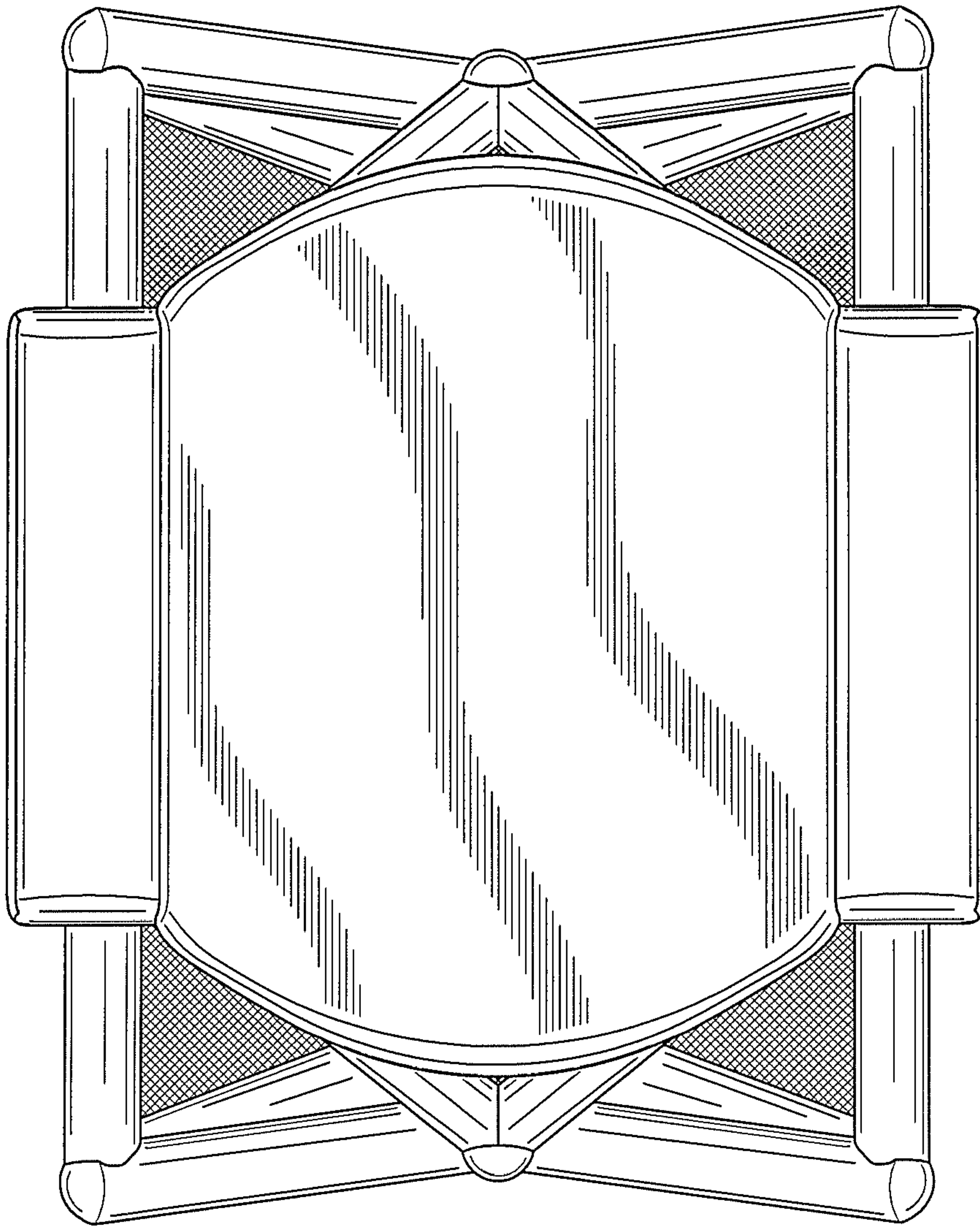


FIG. 8