



US00D746386S

(12) **United States Design Patent**
Mahoney et al.

(10) **Patent No.:** **US D746,386 S**

(45) **Date of Patent:** **** Dec. 29, 2015**

(54) **EXERCISE AND TRAINING DEVICE**

(71) Applicant: **Da Vinci Body Board, LLC,**
Ferrisburgh, VT (US)

(72) Inventors: **Floery Mahoney,** Naples, FL (US);
Matthew Stevenson, Westbrook, ME
(US); **Jon Pettingill,** Westbrook, ME
(US)

(73) Assignee: **Da Vinci Body Board, LLC,**
Ferrisburgh, VT (US)

(**) Term: **14 Years**

(21) Appl. No.: **29/520,405**

(22) Filed: **Mar. 13, 2015**

Related U.S. Application Data

(62) Division of application No. 29/466,036, filed on Sep.
4, 2013, now Pat. No. Des. 730,456.

(51) **LOC (10) Cl.** **21-02**

(52) **U.S. Cl.**
USPC **D21/671**

(58) **Field of Classification Search**
USPC D21/698, 662, 686, 671, 672, 529, 694;
602/19; D24/128, 845, 870, 190, 191;
5/81.1 R, 625, 621, 627, 628; 482/123,
482/907, 910
CPC A61G 1/01; A61G 1/04; A61G 1/00;
A61G 13/009; A61G 7/05; A61G 1/06;
A63B 21/1473; A63B 21/04; A63B 22/203;
A63B 2023/006

See application file for complete search history.

(56) **References Cited**

U.S. PATENT DOCUMENTS

2,191,097 A 2/1940 Morrison
2,511,061 A 6/1950 Hughes
3,222,080 A * 12/1965 Kinraide 280/18

3,775,782 A 12/1973 Rice et al.
4,151,842 A 5/1979 Miller
4,267,830 A 5/1981 Vick
4,301,791 A 11/1981 Franco, III
D267,028 S 11/1982 Spisak
D291,586 S 8/1987 Bourret
4,895,173 A 1/1990 Brault et al.
4,993,092 A 2/1991 Weeks
5,016,620 A 5/1991 Matthews

(Continued)

Primary Examiner — Philip S Hyder

Assistant Examiner — Keith Frank

(74) *Attorney, Agent, or Firm* — Thompson Coburn LLP

(57) **CLAIM**

The ornamental design for an exercise and training device, as shown and described.

DESCRIPTION

FIG. 1 is a top perspective view of an exercise and training device of our new design;

FIG. 2 is a bottom perspective view of the exercise and training device of FIG. 1;

FIG. 3 is a top view of the exercise and training device of FIG. 1;

FIG. 4 is a front view of the exercise and training device of FIG. 1 (the rear view being a mirror image of the view of FIG. 4);

FIG. 5 is a partial, bottom view of the exercise and training device of FIG. 1;

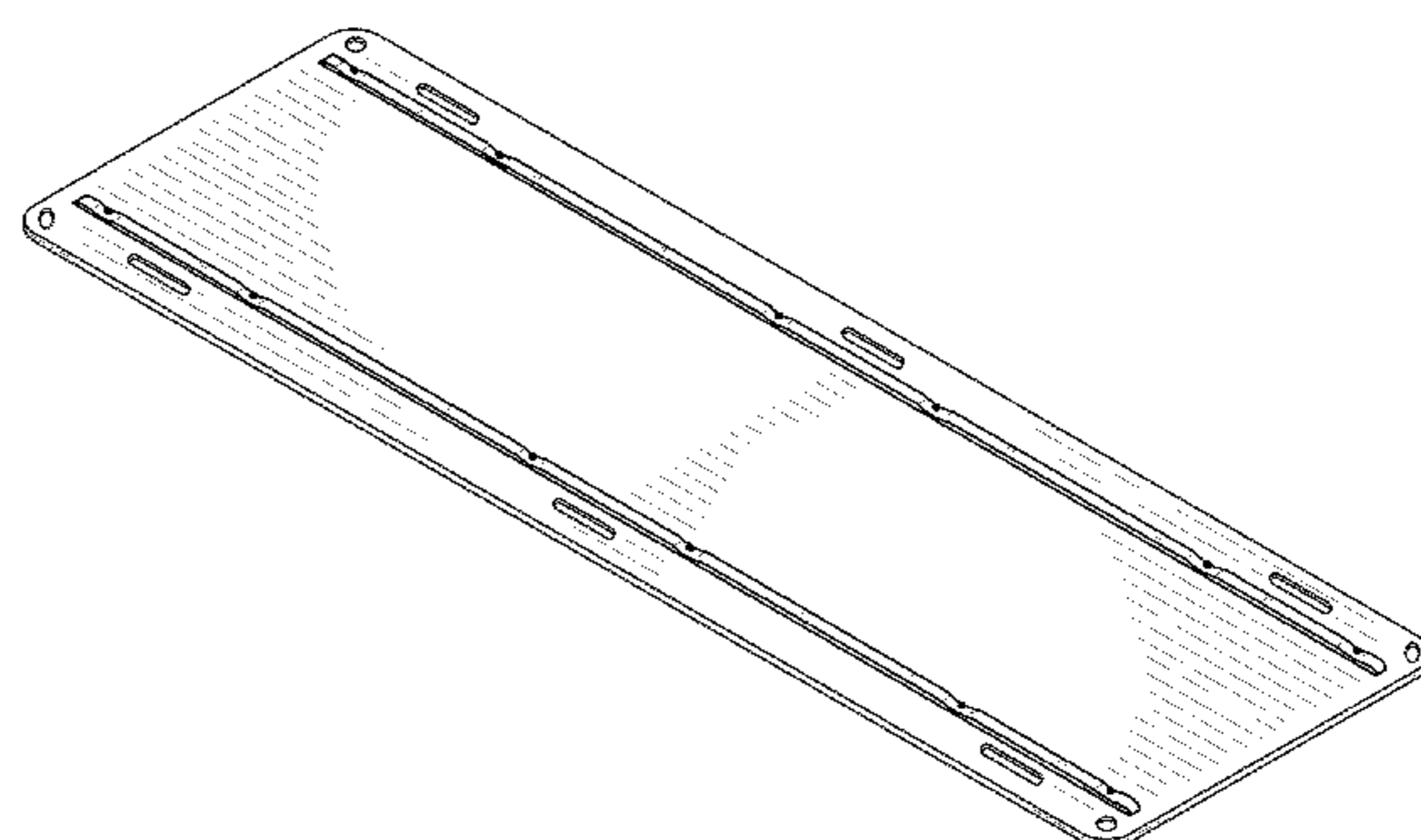
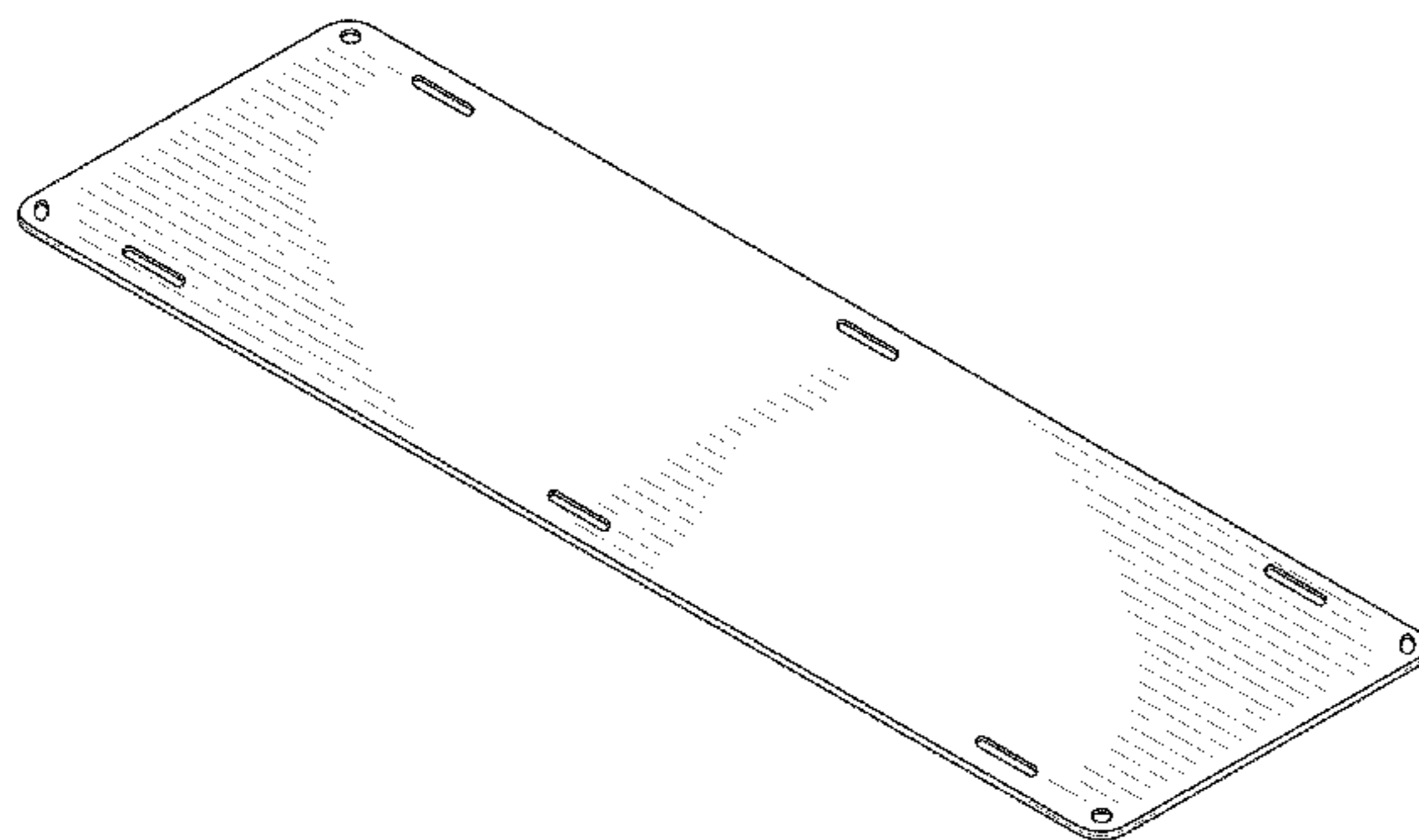
FIG. 6 is a left side view of the exercise and training device taken from the side shown in FIG. 5;

FIG. 7 is a partial, bottom view of the exercise and training device of FIG. 1, showing the portion of the exercise and training device not shown in FIG. 5; and,

FIG. 8 is a right side view of the exercise and training device taken from the side shown in FIG. 7.

The broken lines shown in FIGS. 5 and 7 define the location where the article is cut off to create the partial view and forms no part of the claimed design.

1 Claim, 4 Drawing Sheets



(56)

References Cited

U.S. PATENT DOCUMENTS

D321,918 S 11/1991 Blanchard
 D329,216 S * 9/1992 Beeley et al. D12/128
 D336,671 S 6/1993 Novakoski
 D349,139 S 7/1994 Markland
 5,360,392 A 11/1994 McCoy
 D355,001 S 1/1995 Koblick
 5,529,562 A 6/1996 Glaser
 5,950,627 A 9/1999 Bologovsky et al.
 D430,627 S 9/2000 Bergman
 6,295,672 B1 * 10/2001 Vassallo, Jr. 5/626
 6,659,104 B2 * 12/2003 Kiefer et al. 128/870
 D495,379 S 8/2004 Dubus
 6,915,805 B2 7/2005 Crutchfield
 7,422,220 B2 * 9/2008 Walkingshaw et al. 280/18
 D610,638 S 2/2010 Friess et al.

7,810,820 B2 * 10/2010 Wolf et al. 280/19
 D633,158 S 2/2011 Bruschke et al.
 8,046,853 B1 11/2011 Von Felden et al.
 D685,593 S 7/2013 Boyer
 8,539,622 B2 9/2013 West
 D693,741 S * 11/2013 Carrier D12/128
 D701,062 S 3/2014 Kinsella
 8,677,530 B2 3/2014 Calkin
 8,734,308 B1 5/2014 Joslin
 8,782,833 B2 7/2014 Beurguet et al.
 8,832,878 B2 9/2014 McGann
 8,863,333 B2 10/2014 Cain et al.
 D734,411 S * 7/2015 Powers et al. D21/688
 2004/0014571 A1 * 1/2004 Haynes 482/142
 2008/0214361 A1 * 9/2008 Oster 482/23
 2012/0233772 A1 * 9/2012 Wang 5/417
 2012/0324645 A1 * 12/2012 Lehr 5/420

* cited by examiner

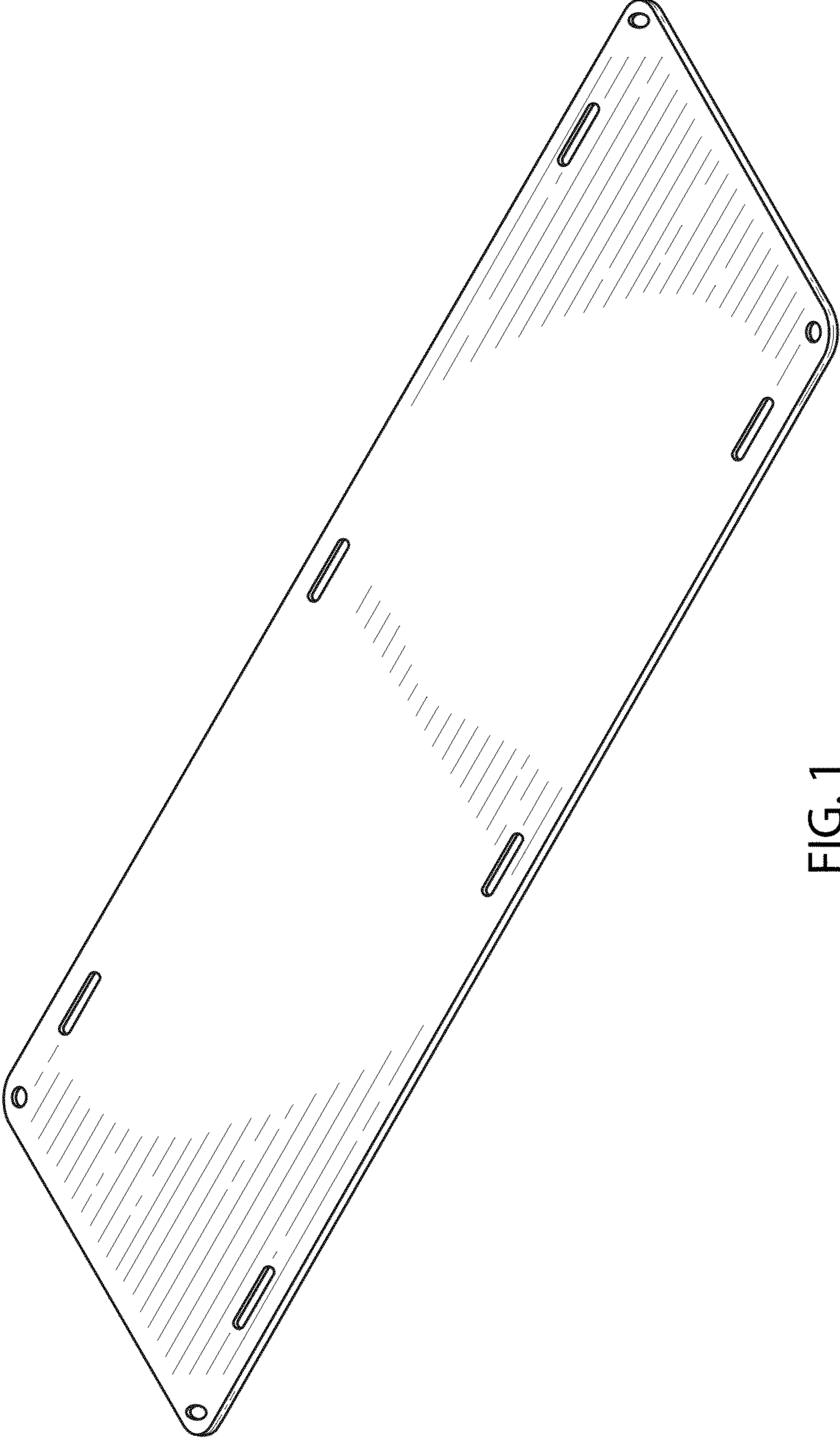


FIG. 1

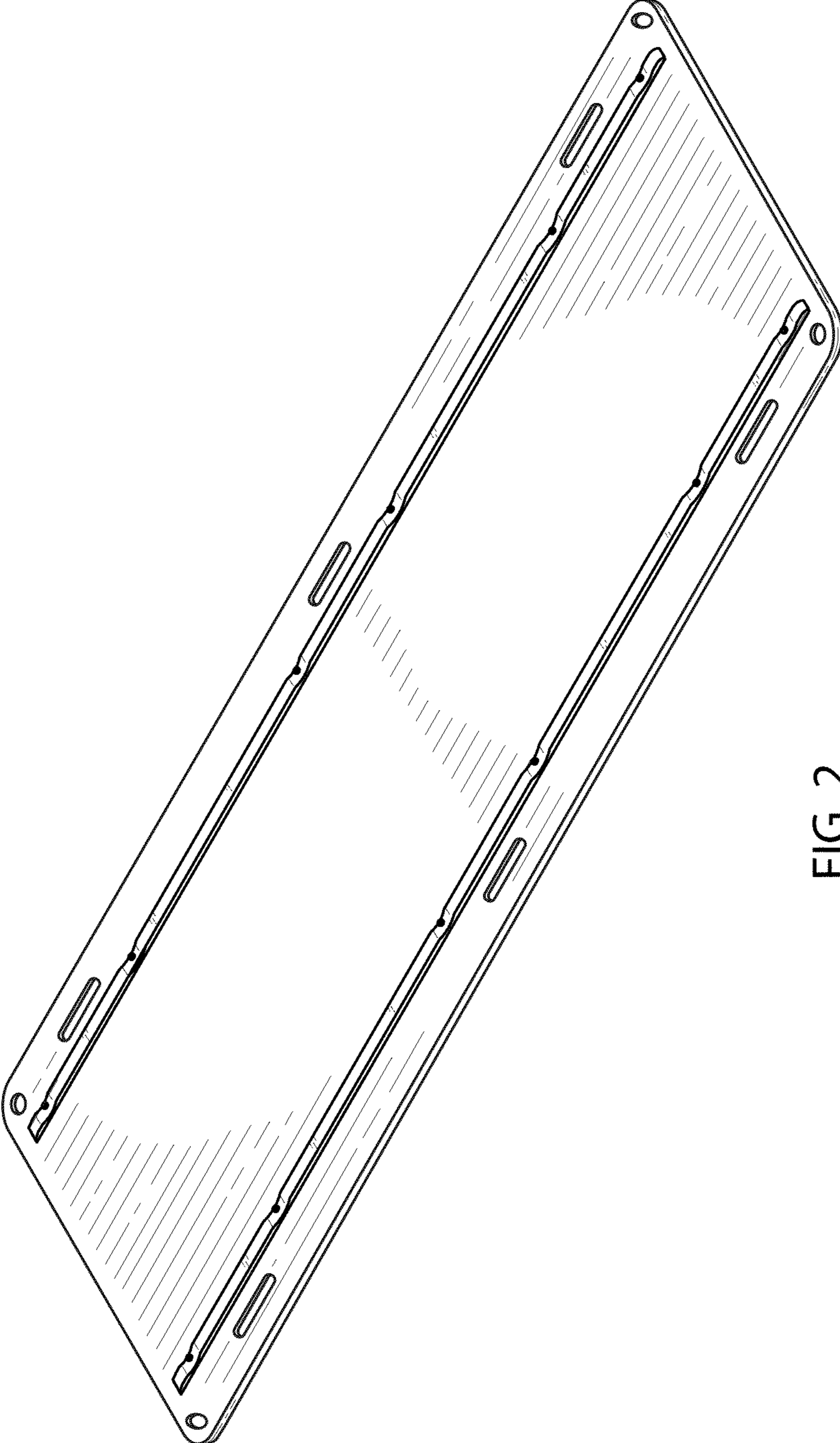


FIG. 2

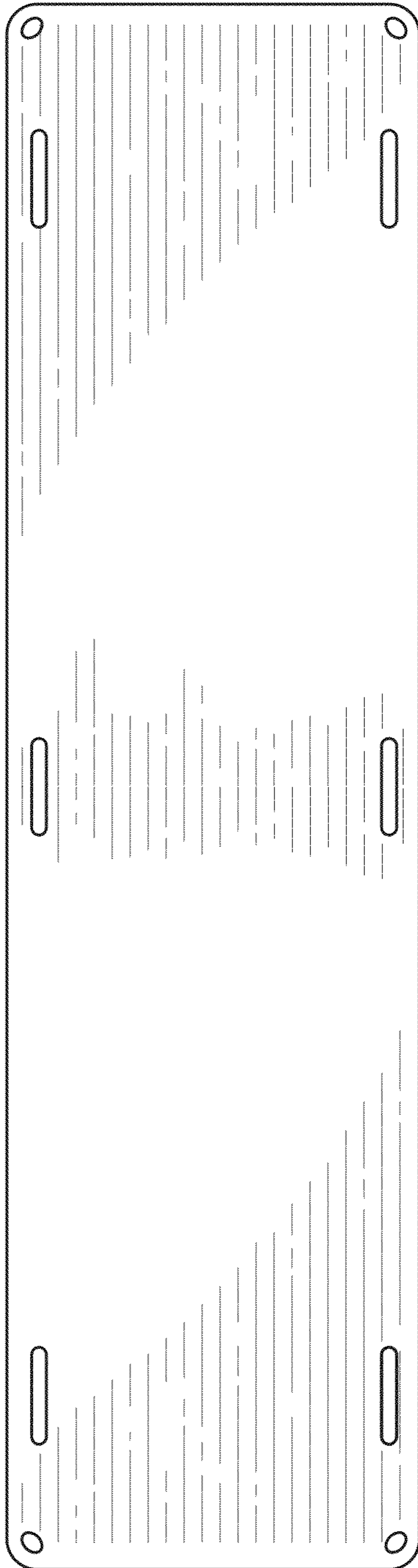


FIG. 3



FIG. 4

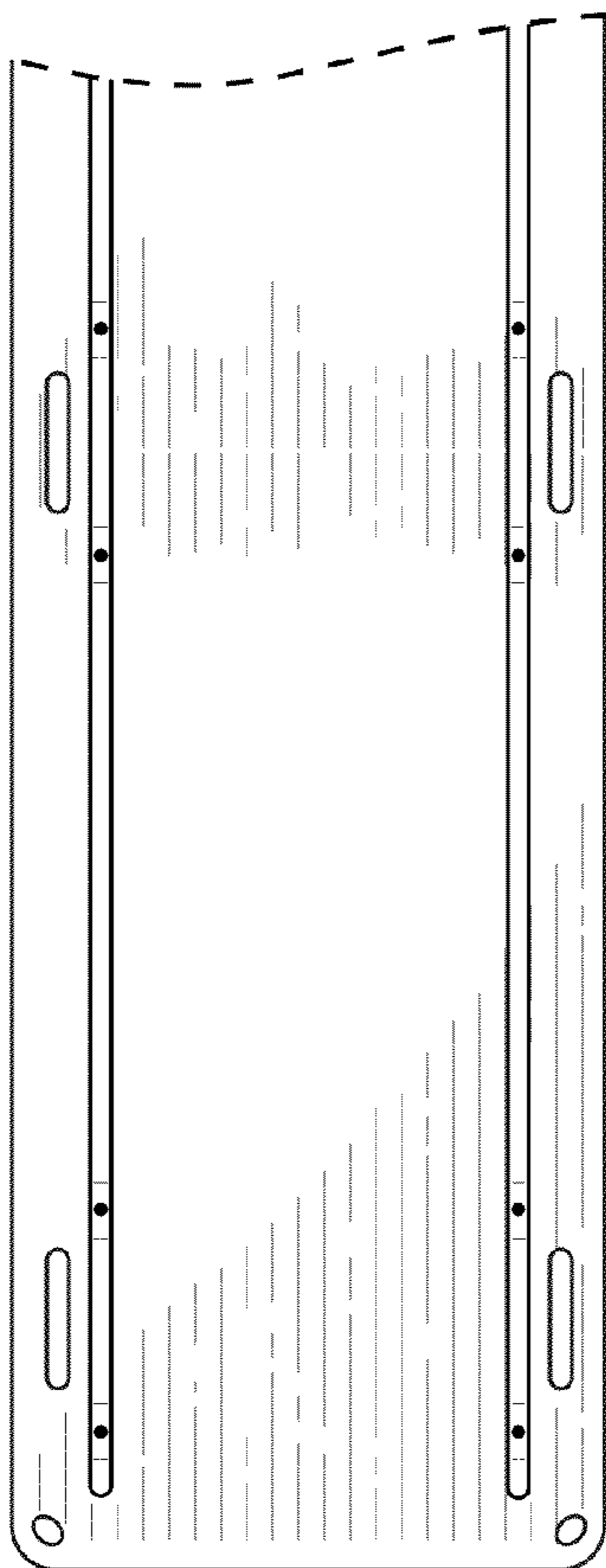


FIG. 5



FIG. 6

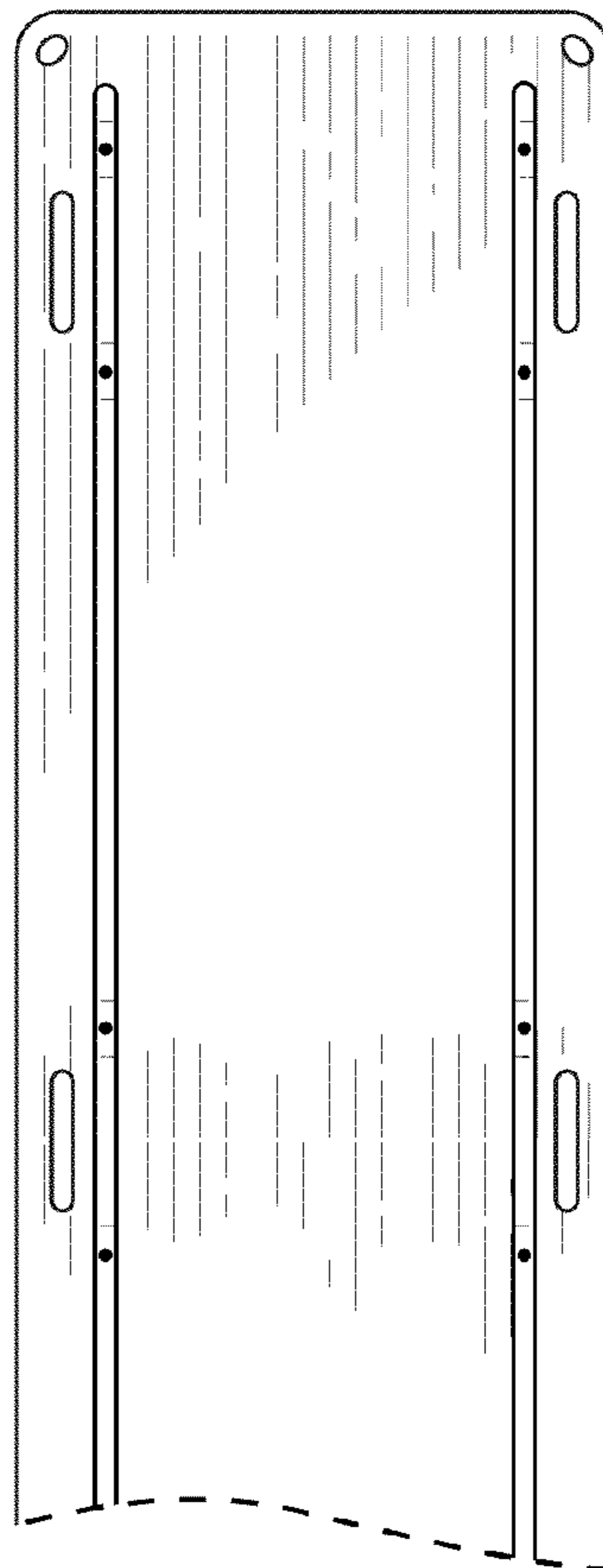


FIG. 7

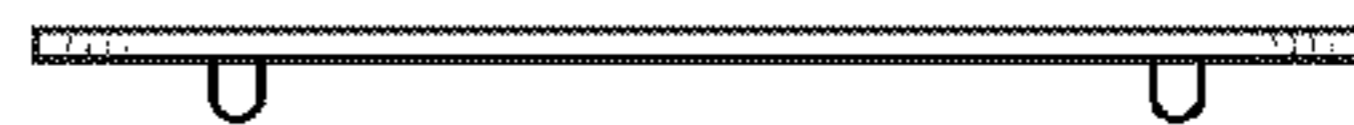


FIG. 8