



US00D746383S

(12) **United States Design Patent**  
**Cummings**

(10) **Patent No.:** **US D746,383 S**

(45) **Date of Patent:** **\*\* Dec. 29, 2015**

(54) **TOY CROSSBOW**

(71) Applicant: **Peter Cummings**, Tsim Sha Tsui (HK)

(72) Inventor: **Peter Cummings**, Tsim Sha Tsui (HK)

(73) Assignee: **KMA Concepts Limited**, Tsim Sha Tsui, Kowloon (HK)

(\*\*) Term: **14 Years**

(21) Appl. No.: **29/455,281**

(22) Filed: **May 19, 2013**

(51) **LOC (10) Cl.** ..... **21-01**

(52) **U.S. Cl.**  
USPC ..... **D21/571**

(58) **Field of Classification Search**  
USPC ..... D21/574, 573, 570, 571, 575, 567, 145,  
D21/568, 569, 572; 124/16, 23.1, 35.2,  
124/25.7, 45, 82, 20.1, 27; 222/79;  
446/400, 401, 403; D22/100, 104, 108,  
D22/107, 106, 102  
CPC ..... A63F 9/0252; F41B 5/0094; F41B 5/10  
See application file for complete search history.

(56) **References Cited**

**U.S. PATENT DOCUMENTS**

2,500,509 A \* 3/1950 Bailey ..... 124/25  
D186,987 S \* 1/1960 Dickinson ..... D21/571

4,603,676 A \* 8/1986 Luoma ..... 124/25  
5,630,405 A \* 5/1997 Nizov ..... 124/25  
5,823,172 A \* 10/1998 Suggitt ..... 124/25  
8,453,631 B1 \* 6/2013 Kronengold et al. .... 124/25  
D716,398 S \* 10/2014 Barnett ..... D22/107  
8,991,375 B2 \* 3/2015 McPherson ..... 124/25  
2010/0170488 A1 \* 7/2010 Razor et al. .... 124/25  
2011/0203561 A1 \* 8/2011 Shaffer et al. .... 124/25  
2012/0006311 A1 \* 1/2012 Bednar et al. .... 124/25  
2014/0069402 A1 \* 3/2014 McPherson ..... 124/25

\* cited by examiner

*Primary Examiner* — Robert M Spear

*Assistant Examiner* — Kendra L Hamilton

(74) *Attorney, Agent, or Firm* — LaMorte & Associates, P.C.

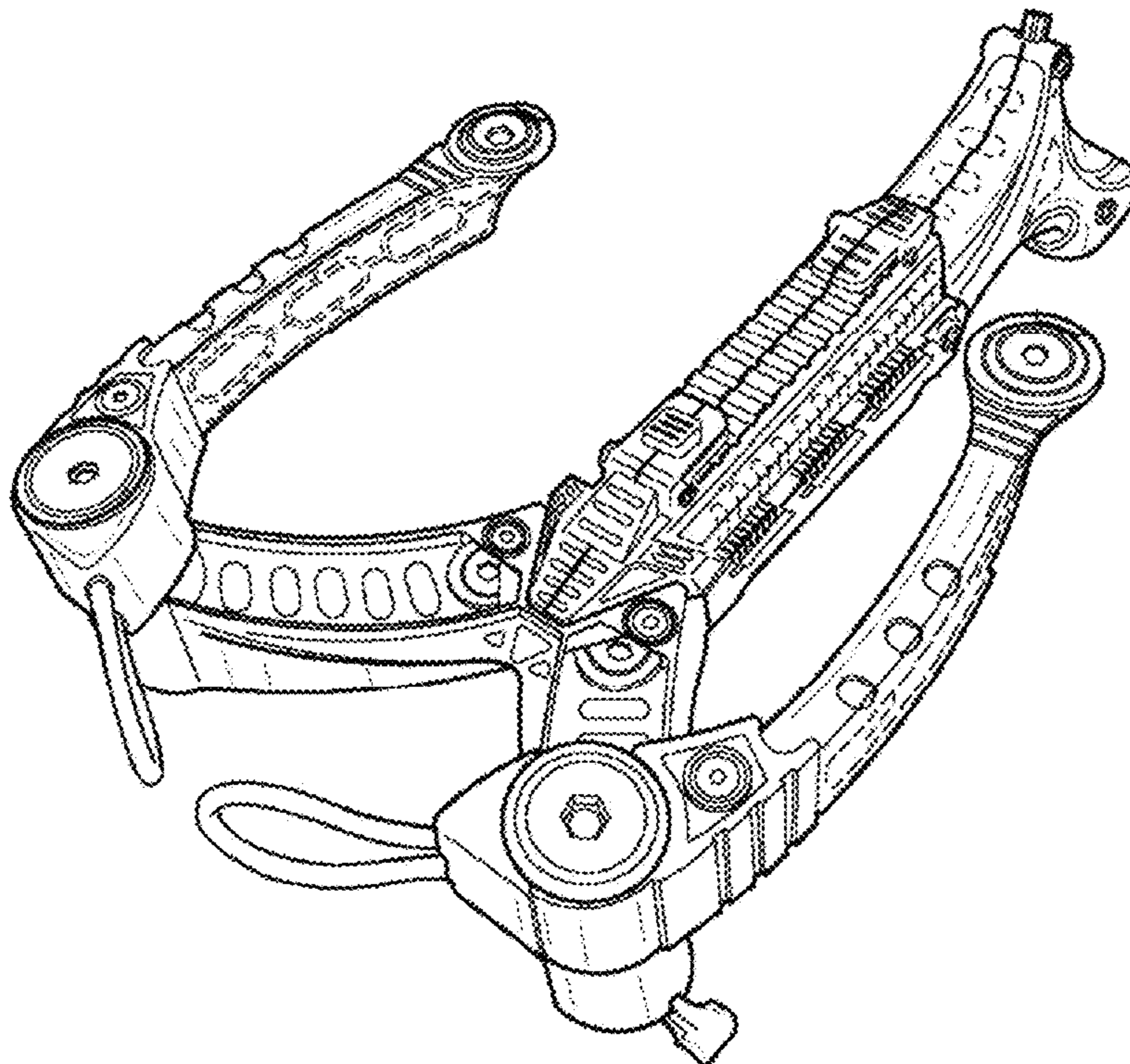
(57) **CLAIM**

The ornamental design for a toy crossbow, as shown and described.

**DESCRIPTION**

FIG. 1 is a top and left perspective view of a toy crossbow;  
FIG. 2 is a left side view thereof;  
FIG. 3 is a right side view thereof;  
FIG. 4 is a front view thereof;  
FIG. 5 is a rear view thereof;  
FIG. 6 is a top view thereof; and,  
FIG. 7 is a bottom view thereof.  
Portions of the disclosure shown in broken lines form no part of the claimed design.

**1 Claim, 5 Drawing Sheets**



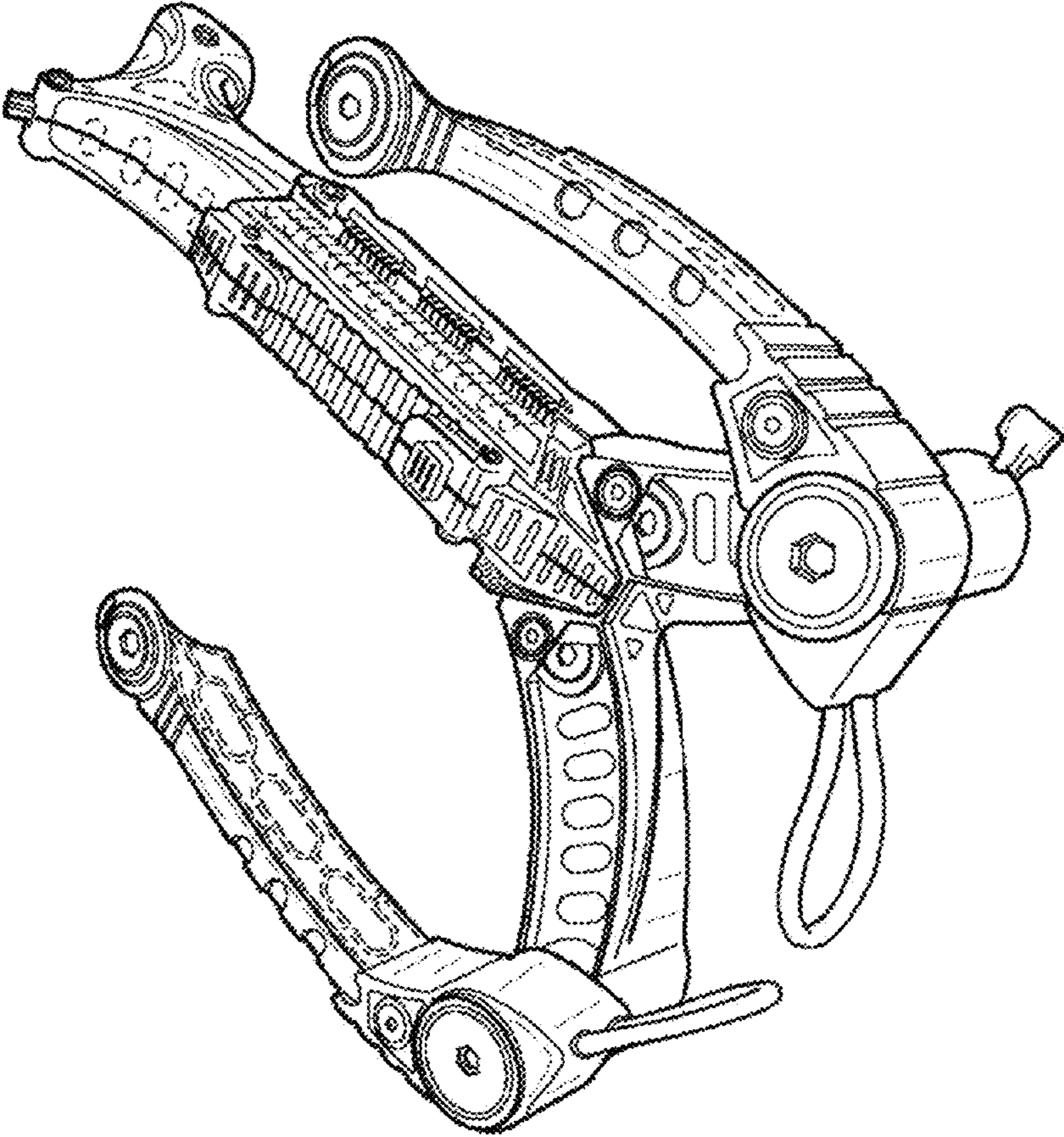


FIG. 1

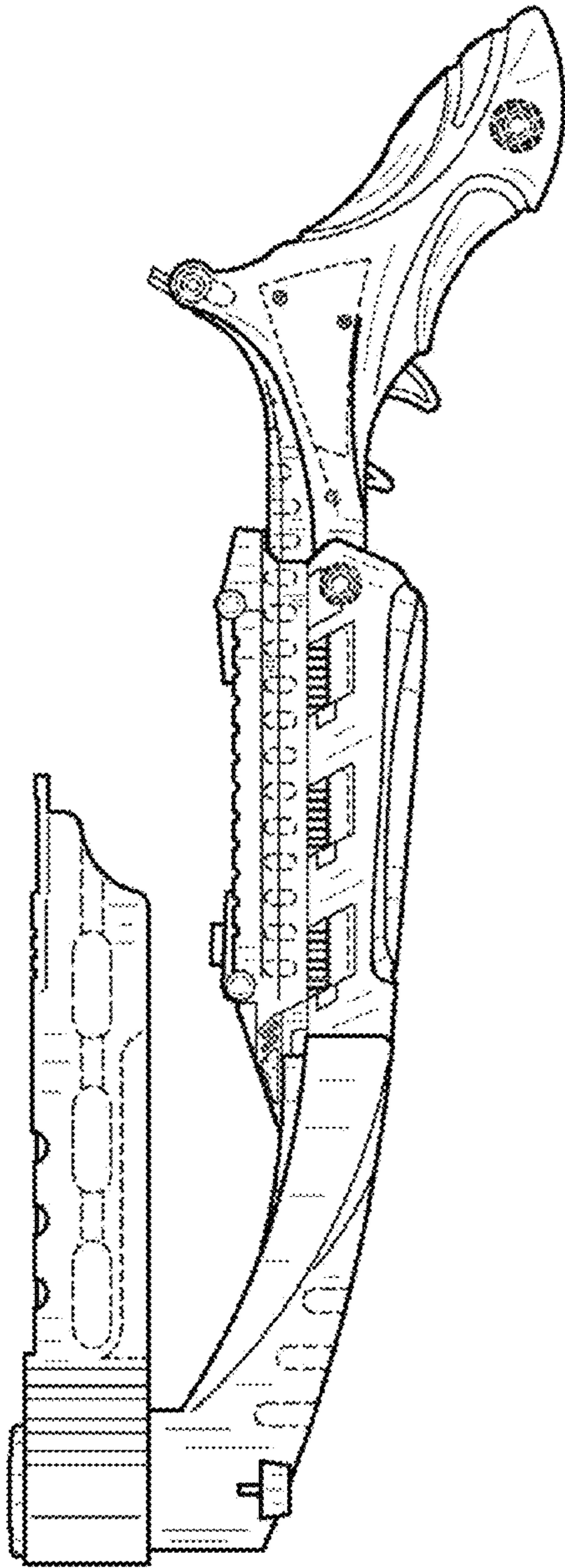


FIG. 2

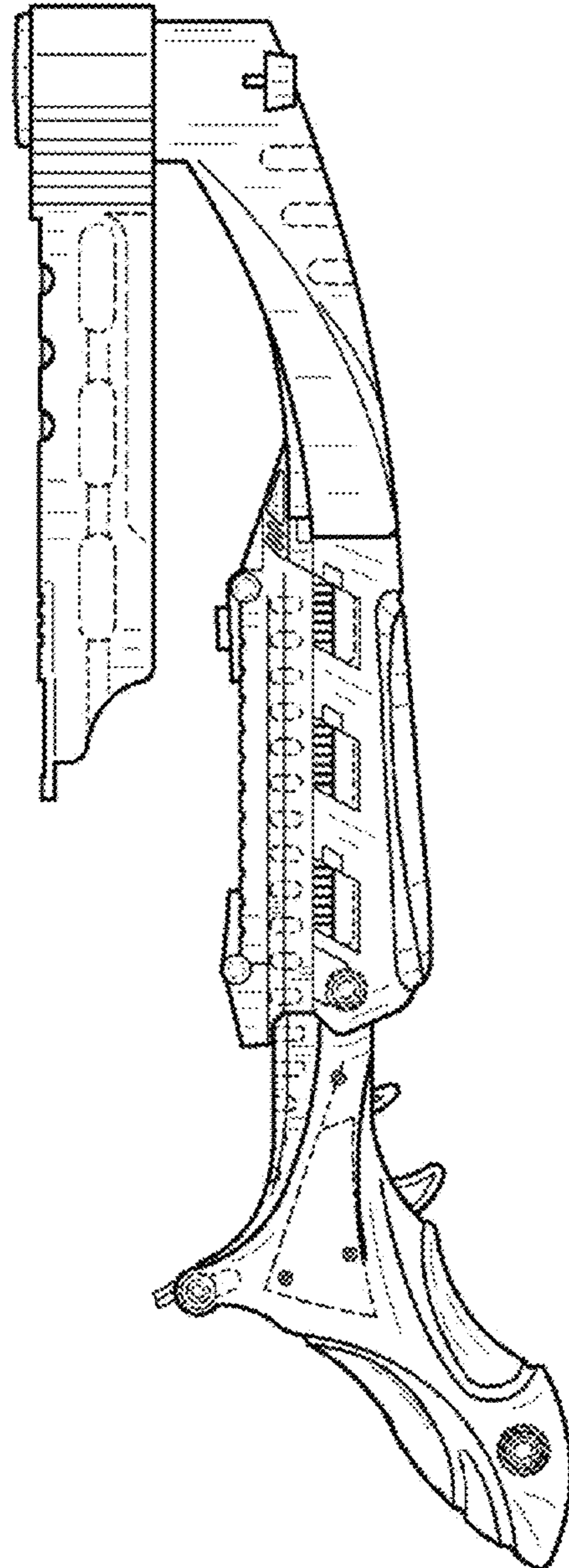


FIG. 3

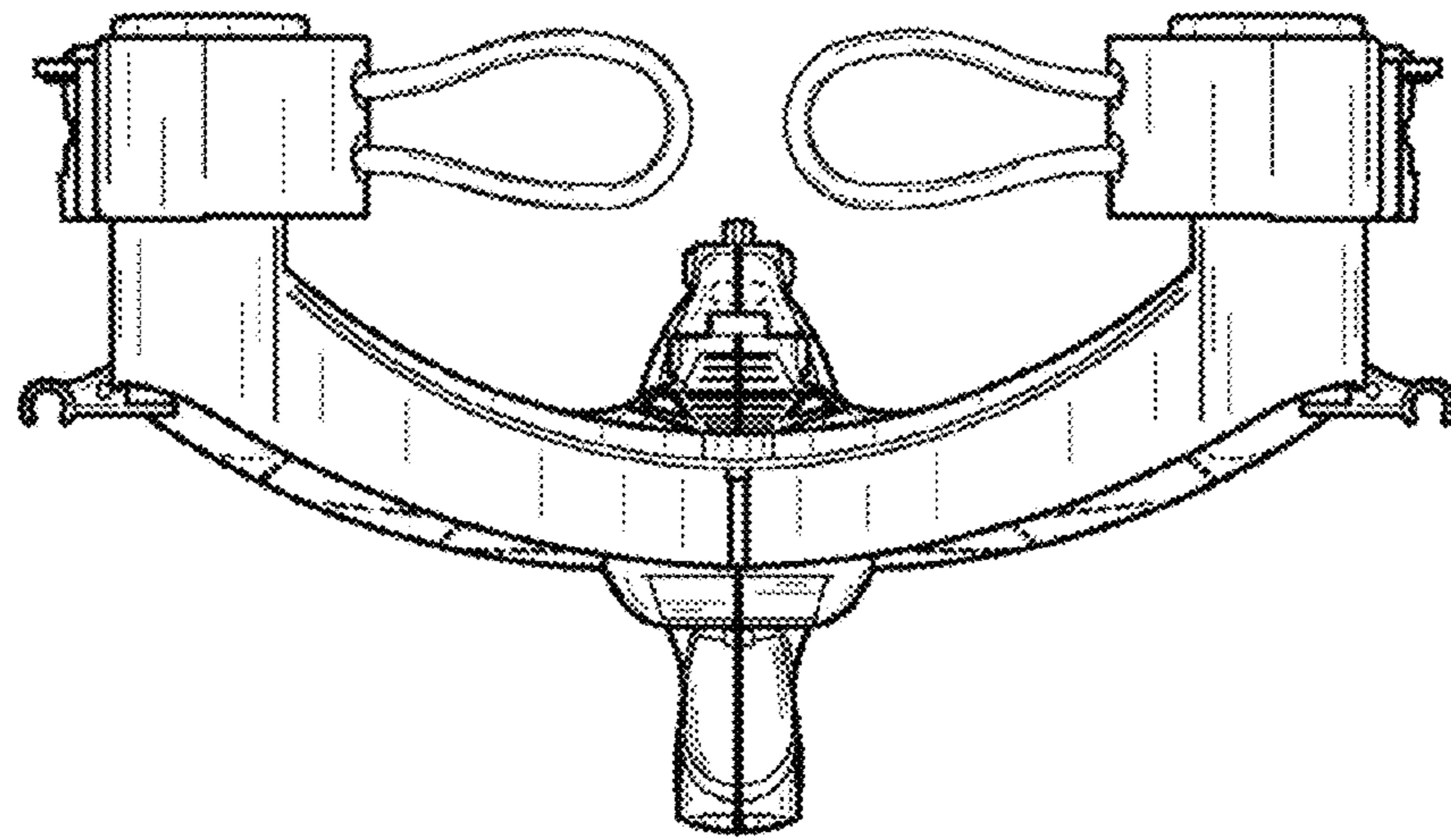


FIG. 4

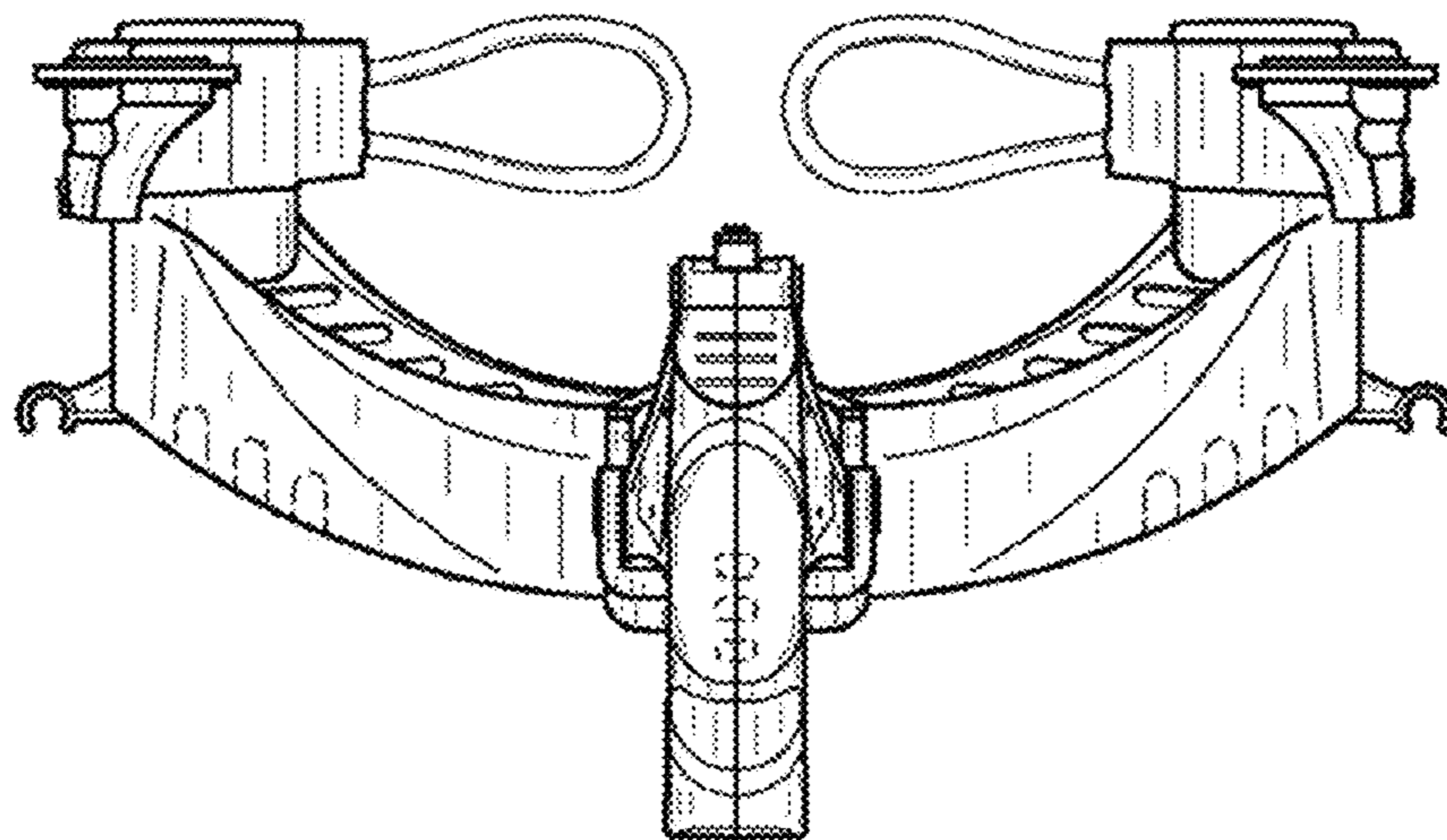


FIG. 5

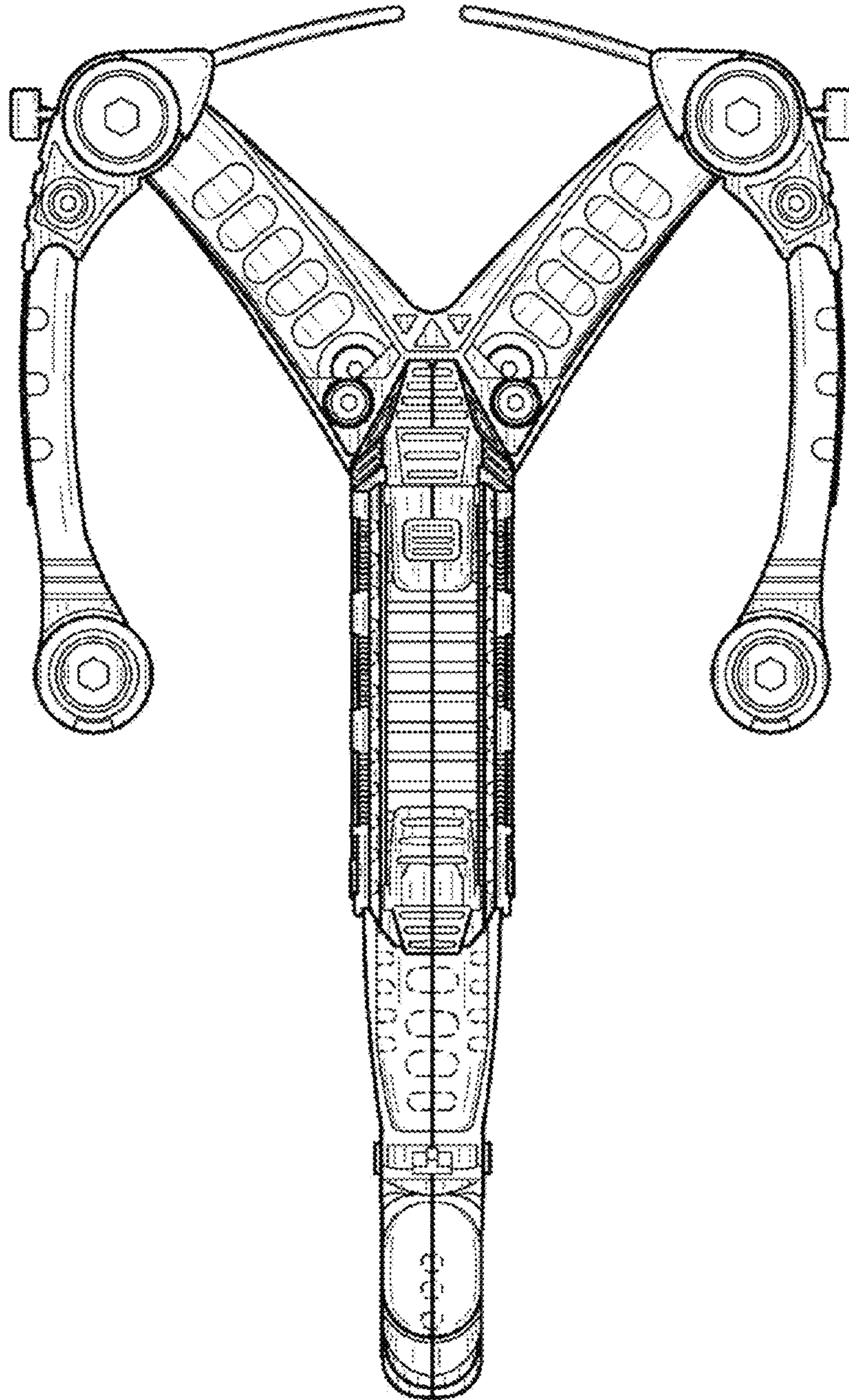


FIG. 6

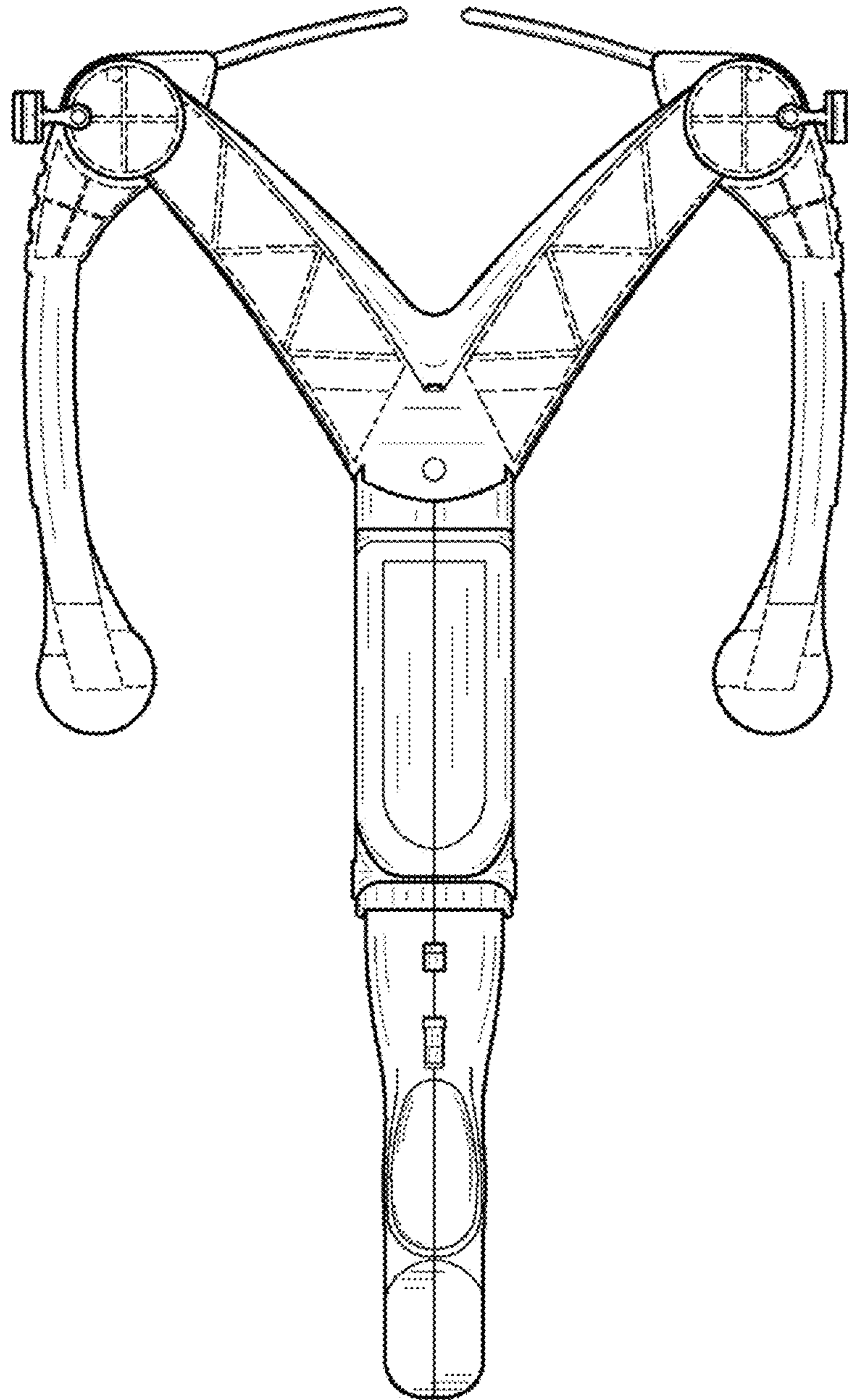


FIG. 7