



US00D746379S

(12) **United States Design Patent**
Navid

(10) **Patent No.:** **US D746,379 S**

(45) **Date of Patent:** **** Dec. 29, 2015**

(54) **AUXILIARY ACCESSORY FOR A GAMING CONSOLE**

(71) Applicant: **Nyko Technologies, Inc.**, Los Angeles, CA (US)

(72) Inventor: **Amir Navid**, Sherman Oaks, CA (US)

(73) Assignee: **Nyko Technologies, Inc.**, Los Angeles, CA (US)

(**) Term: **14 Years**

(21) Appl. No.: **29/496,882**

(22) Filed: **Jul. 18, 2014**

(51) **LOC (10) Cl.** **21-01**

(52) **U.S. Cl.**
USPC **D21/333**

(58) **Field of Classification Search**
USPC D14/399–401, 412–416; D21/324, 333, D21/328, 332; 273/148 B; 463/1, 29–39, 46, 463/47; 345/156–161, 905
CPC A63F 9/06; A63F 9/24; A63F 11/06; A63F 13/02
See application file for complete search history.

(56) **References Cited**

U.S. PATENT DOCUMENTS

6,312,338 B1 * 11/2001 Sato et al. 463/44
D462,096 S * 8/2002 Hussaini et al. D21/333

D478,128 S * 8/2003 Hussaini et al. D21/333
6,707,022 B2 * 3/2004 Perregaux 250/208.1
D510,392 S * 10/2005 Hussaini et al. D21/333
7,296,467 B2 * 11/2007 Kawamura et al. 73/504.12
D583,876 S * 12/2008 Ashida et al. D21/333
D624,049 S * 9/2010 Liu D14/217
D624,600 S * 9/2010 Fowler D21/333
D697,140 S * 1/2014 Baum D21/333
D720,342 S * 12/2014 Starrett et al. D14/252

* cited by examiner

Primary Examiner — Prabhakar Deshmukh

(74) *Attorney, Agent, or Firm* — Burch Dallmann LLP

(57) **CLAIM**

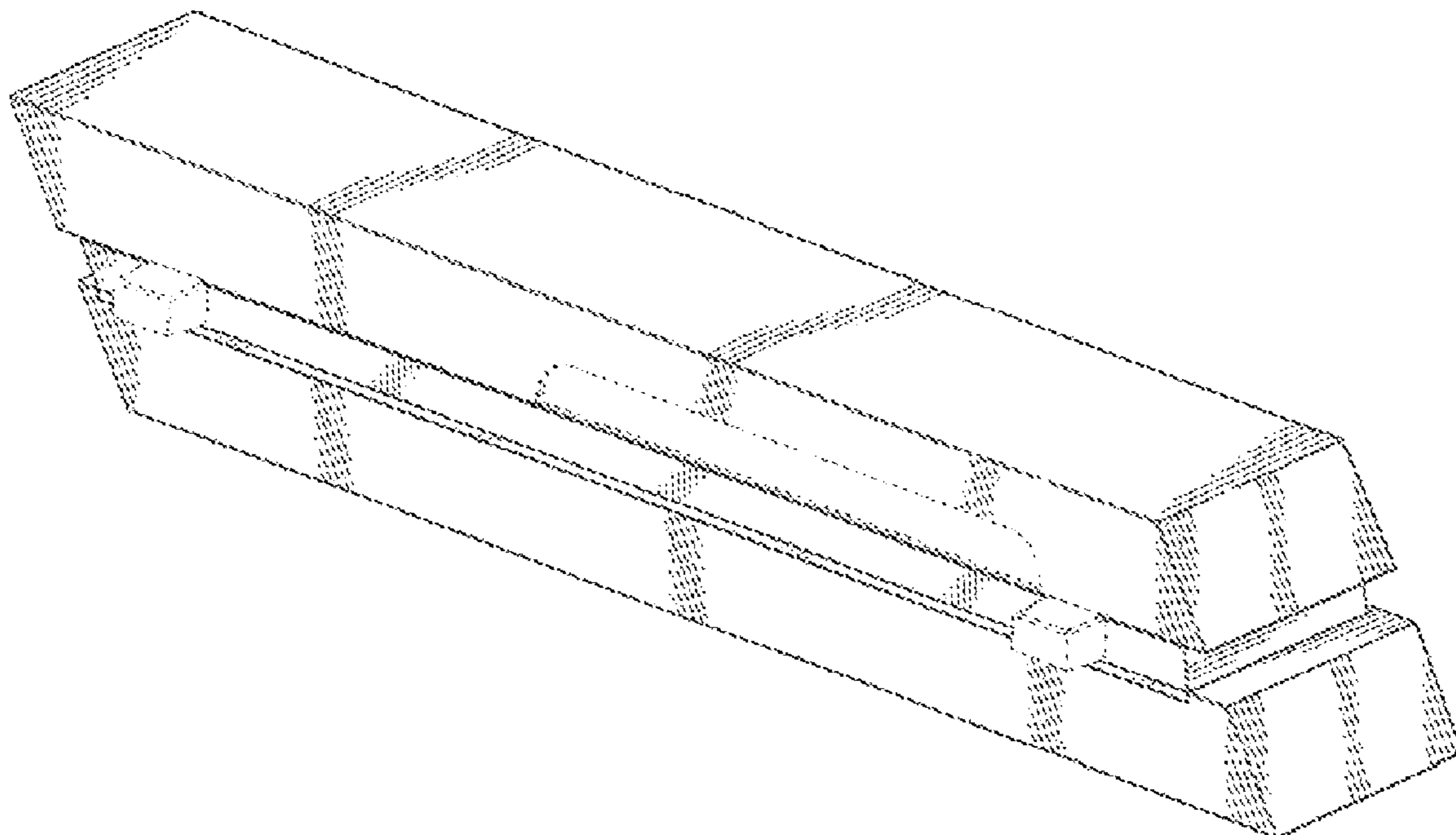
The ornamental design for an auxiliary accessory for a gaming console, as shown and described.

DESCRIPTION

FIG. 1 is a front left perspective view of an auxiliary accessory for a gaming console showing my new design; FIG. 2 is a front right perspective view thereof; FIG. 3 is a left side elevational view thereof; FIG. 4 is a right side elevational view thereof; FIG. 5 is a bottom plan view thereof; FIG. 6 is a top plan view thereof; FIG. 7 is a front elevational view thereof; and, FIG. 8 is a rear elevational view thereof.

The broken lines indicate unclaimed portions and form no part of the claimed design.

1 Claim, 4 Drawing Sheets



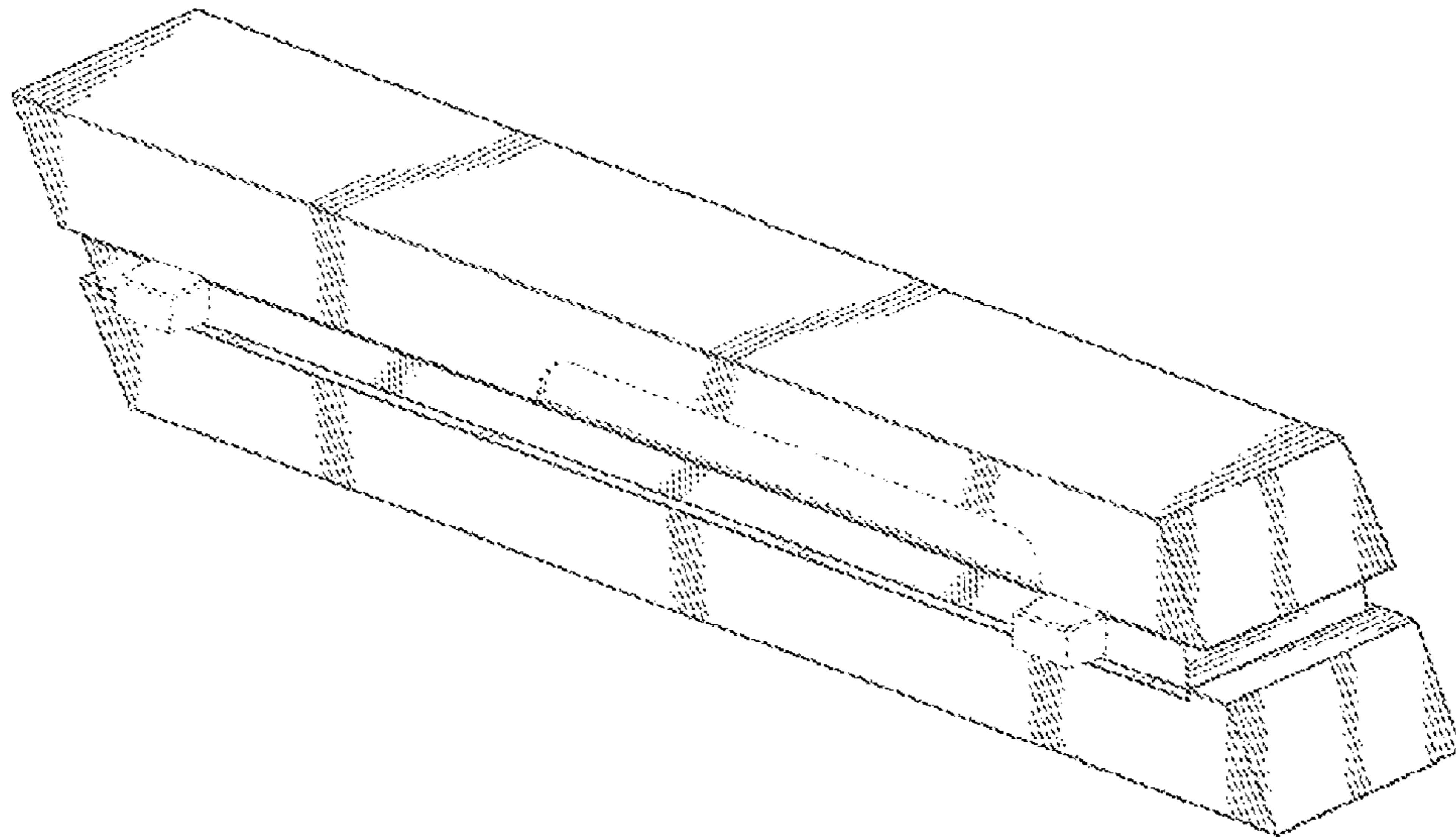


FIG. 1

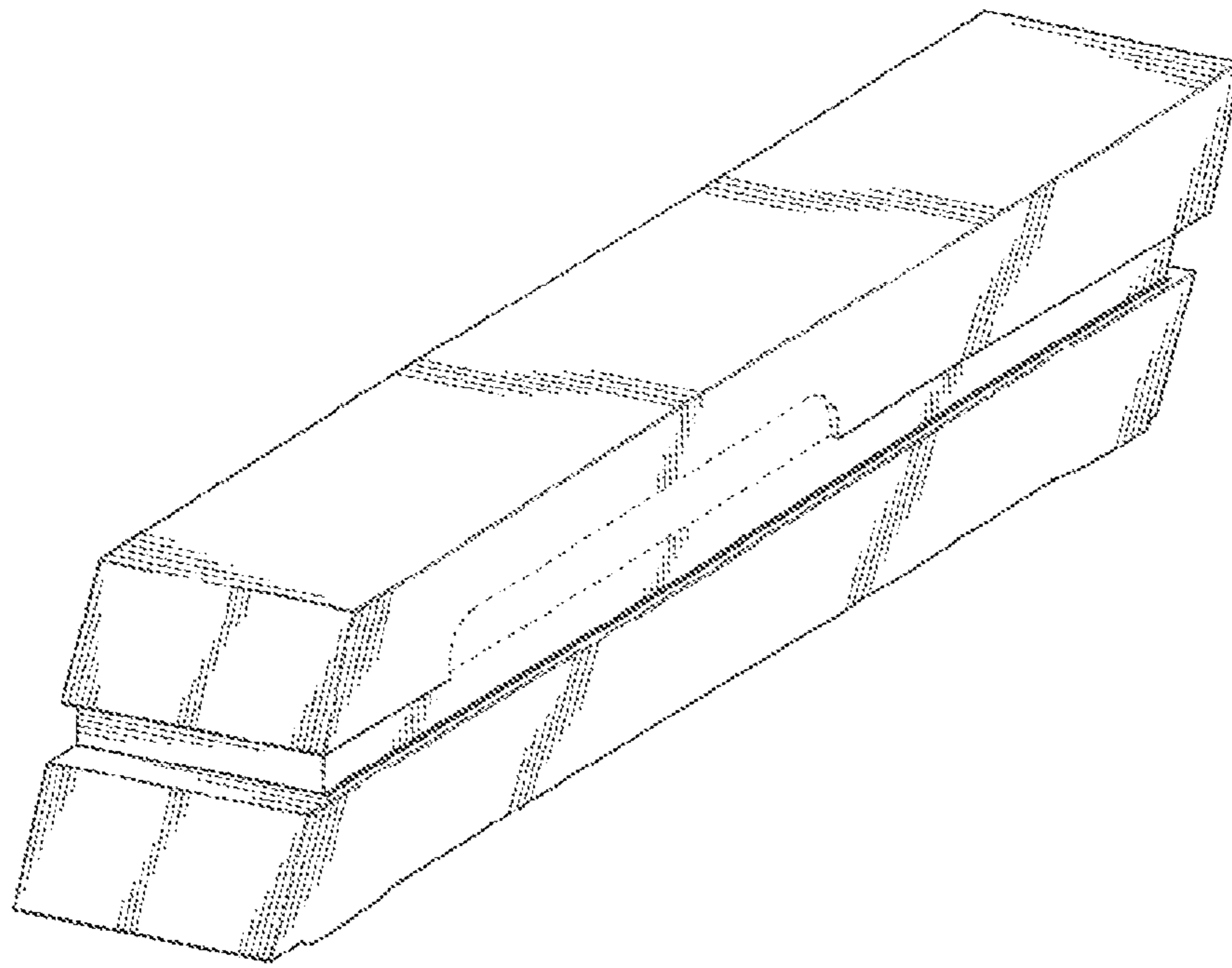


FIG. 2

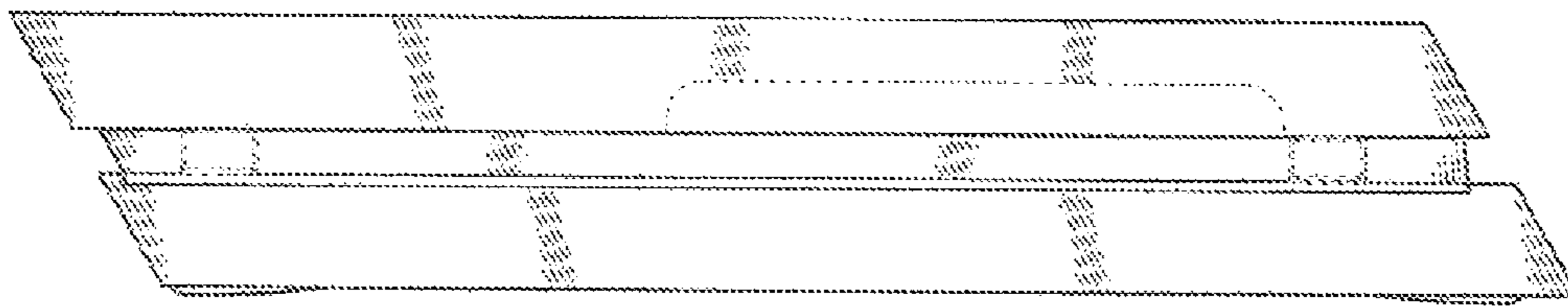


FIG. 3

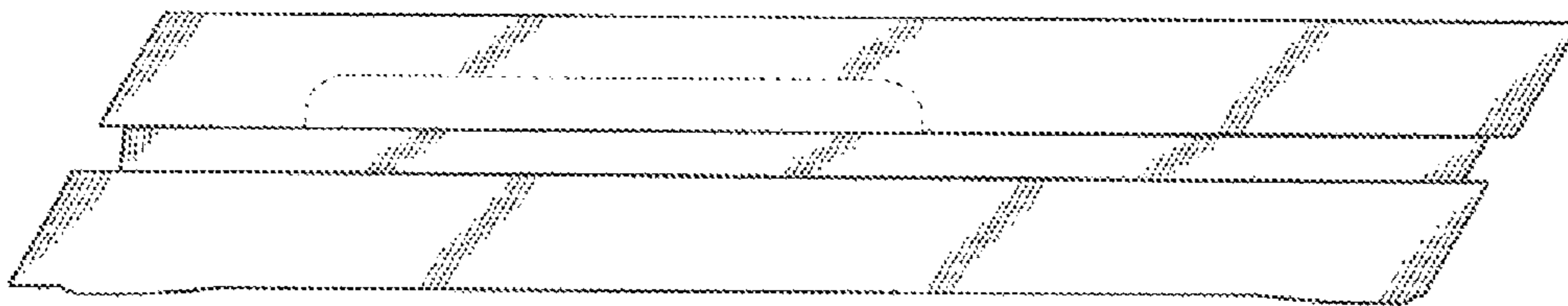


FIG. 4

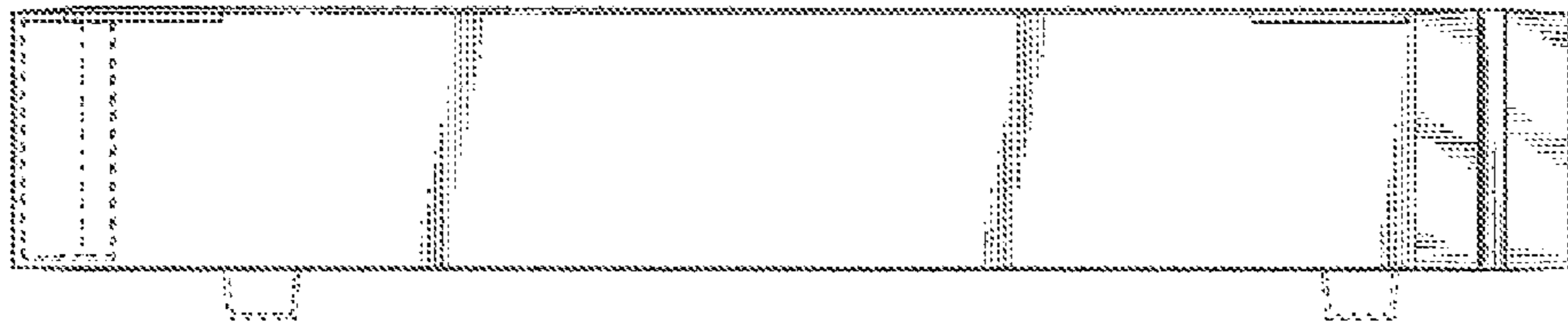


FIG. 5

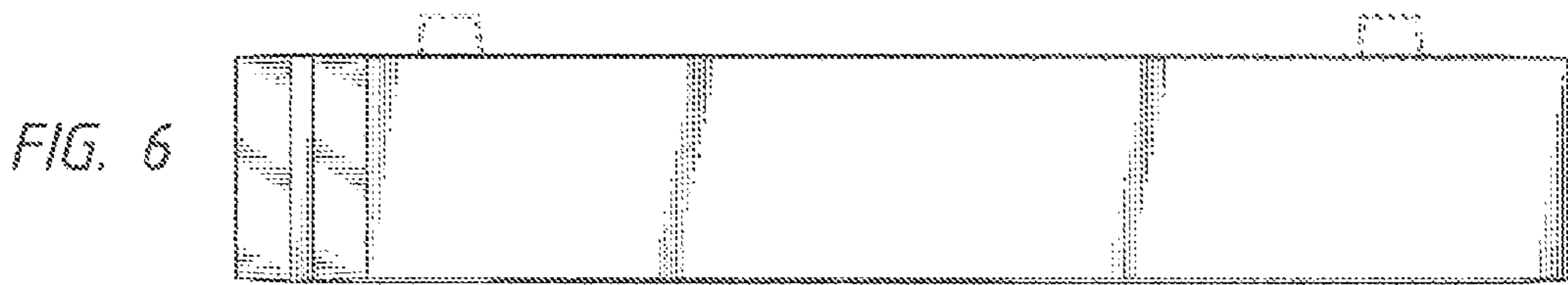


FIG. 6

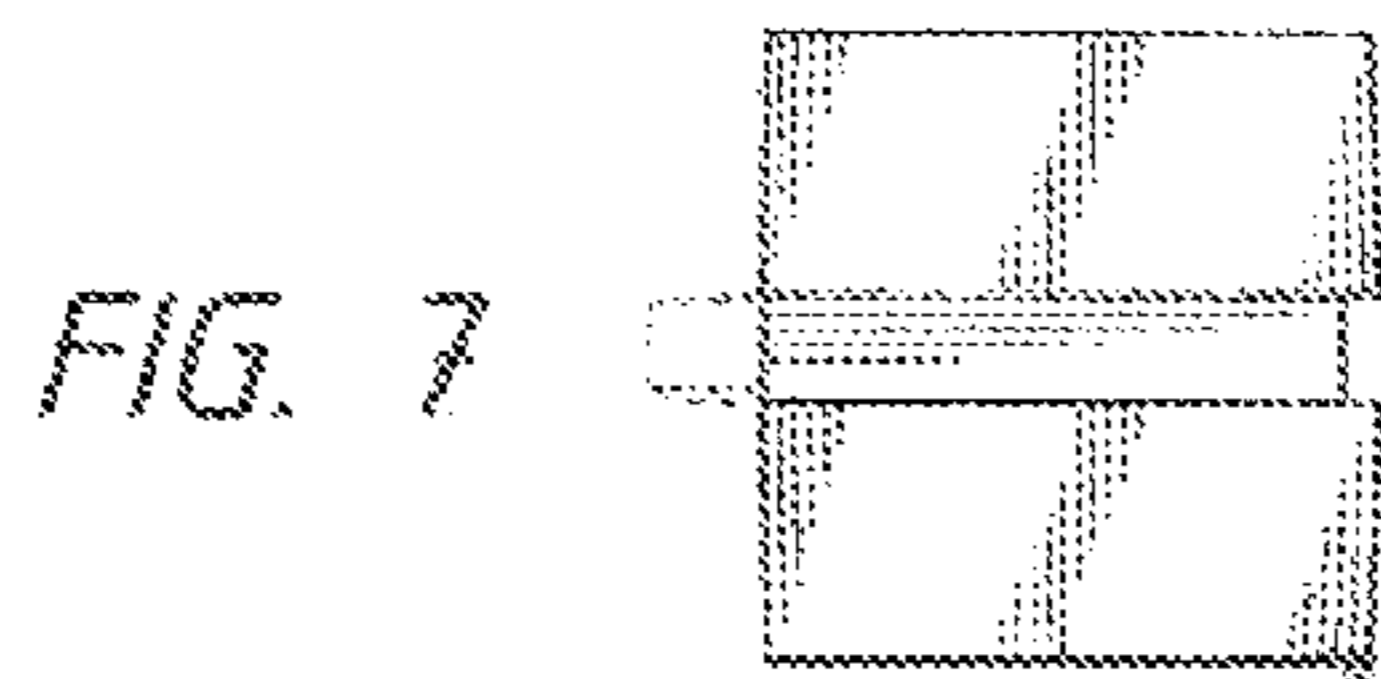


FIG. 7

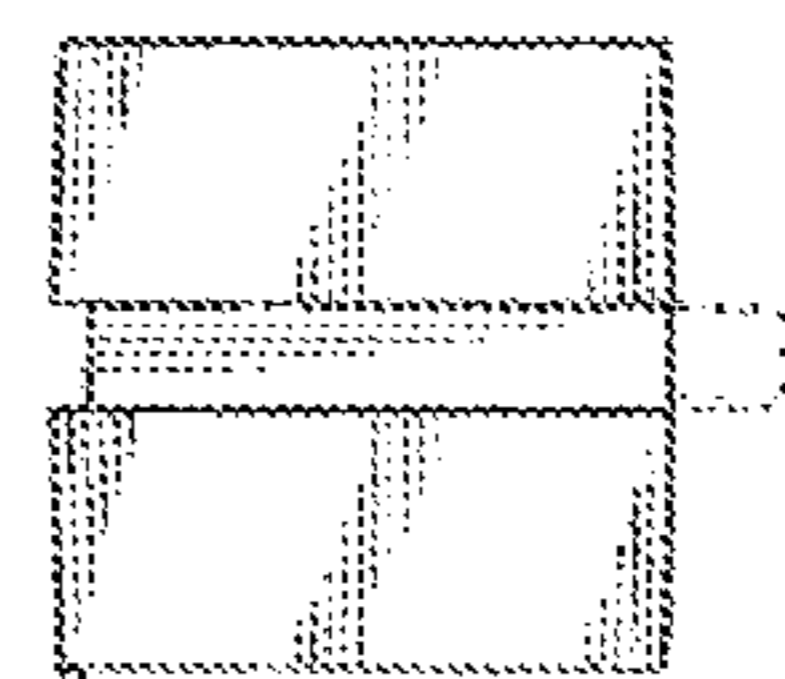


FIG. 8