



US00D746377S

(12) **United States Design Patent**  
**Au**

(10) **Patent No.:** **US D746,377 S**  
(45) **Date of Patent:** **\*\* Dec. 29, 2015**

- (54) **CRAYON HOLDER**
- (71) Applicant: **LAI ON PRODUCTS (INDUSTRIAL) LIMITED**, Kwai Chung, New Territories (HK)
- (72) Inventor: **Sze Ki Au**, Kwai Chung (HK)
- (73) Assignee: **LAI ON PRODUCTS (INDUSTRIAL) LIMITED**, Kwai Chung, New Territories (HK)
- (\*\*) Term: **14 Years**
- (21) Appl. No.: **29/499,627**
- (22) Filed: **Aug. 18, 2014**

**Related U.S. Application Data**

- (62) Division of application No. 29/464,179, filed on Aug. 14, 2013, now Pat. No. Des. 714,386.
- (51) **LOC (10) Cl.** ..... **19-06**
- (52) **U.S. Cl.**  
USPC ..... **D19/204; D19/117**
- (58) **Field of Classification Search**  
USPC ..... D8/98, 99; D14/411; D19/115-204;  
D28/7; D10/119.3, 119.4  
CPC ..... B43K 5/005; B43K 7/00; B43K 7/01;  
B43K 7/10; B43K 7/12; B43K 19/00; B43K  
19/02; B43K 8/04; B43K 19/14; B43K  
23/016  
See application file for complete search history.

(56) **References Cited**

**U.S. PATENT DOCUMENTS**

- 1,595,948 A \* 8/1926 King ..... 401/88
- 1,611,937 A \* 12/1926 Nelson ..... 401/82

- 2,803,219 A \* 8/1957 Stoeberl ..... 401/112
- 3,249,092 A \* 5/1966 Moojen ..... 401/88
- 4,635,309 A \* 1/1987 Larsen ..... 7/158
- 4,826,341 A \* 5/1989 Kwak ..... 401/280
- 5,048,989 A \* 9/1991 Stageman ..... 401/83
- D372,049 S \* 7/1996 Anderson ..... D19/204
- 5,577,850 A \* 11/1996 Mishima ..... 401/83
- D378,762 S \* 4/1997 Kikuchi et al. .... D19/170
- D383,988 S \* 9/1997 Luebke ..... D10/78
- D386,526 S \* 11/1997 Ito ..... D19/187
- D402,691 S \* 12/1998 Zbras, Jr. .... D19/204
- 6,123,476 A \* 9/2000 Rosenthal ..... 401/51
- 6,227,743 B1 \* 5/2001 Robb ..... 401/243
- 6,276,854 B1 \* 8/2001 Mullins ..... 401/88
- D450,086 S \* 11/2001 Rosenbaum ..... D19/123
- D604,768 S \* 11/2009 Andoh et al. .... D19/204
- D670,699 S \* 11/2012 Sato ..... D14/411
- D705,868 S \* 5/2014 Harrison ..... D19/204

\* cited by examiner

*Primary Examiner* — Elizabeth Albert

(74) *Attorney, Agent, or Firm* — Donald J. Ranft; Kristen A. Mogavero; Collen IP

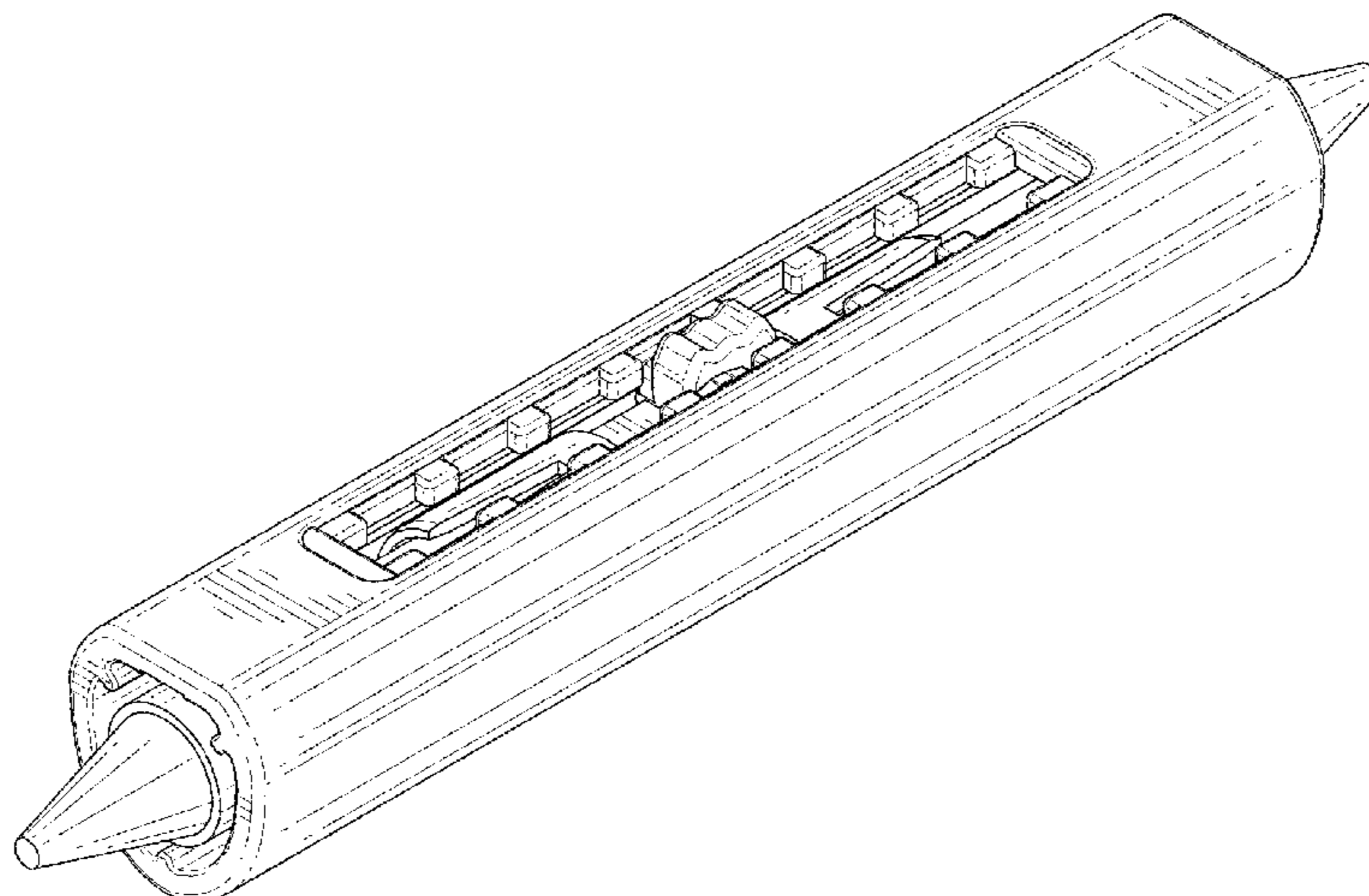
(57) **CLAIM**

The ornamental design for a crayon holder, as shown.

**DESCRIPTION**

FIG. 1 is a front left perspective view of a crayon holder showing my new design;  
 FIG. 2 is a rear right perspective view thereof;  
 FIG. 3 is a front view thereof;  
 FIG. 4 is a rear view thereof;  
 FIG. 5 is a left side view thereof;  
 FIG. 6 is a right side view thereof;  
 FIG. 7 is a top view thereof; and,  
 FIG. 8 is a bottom view thereof.

**1 Claim, 6 Drawing Sheets**



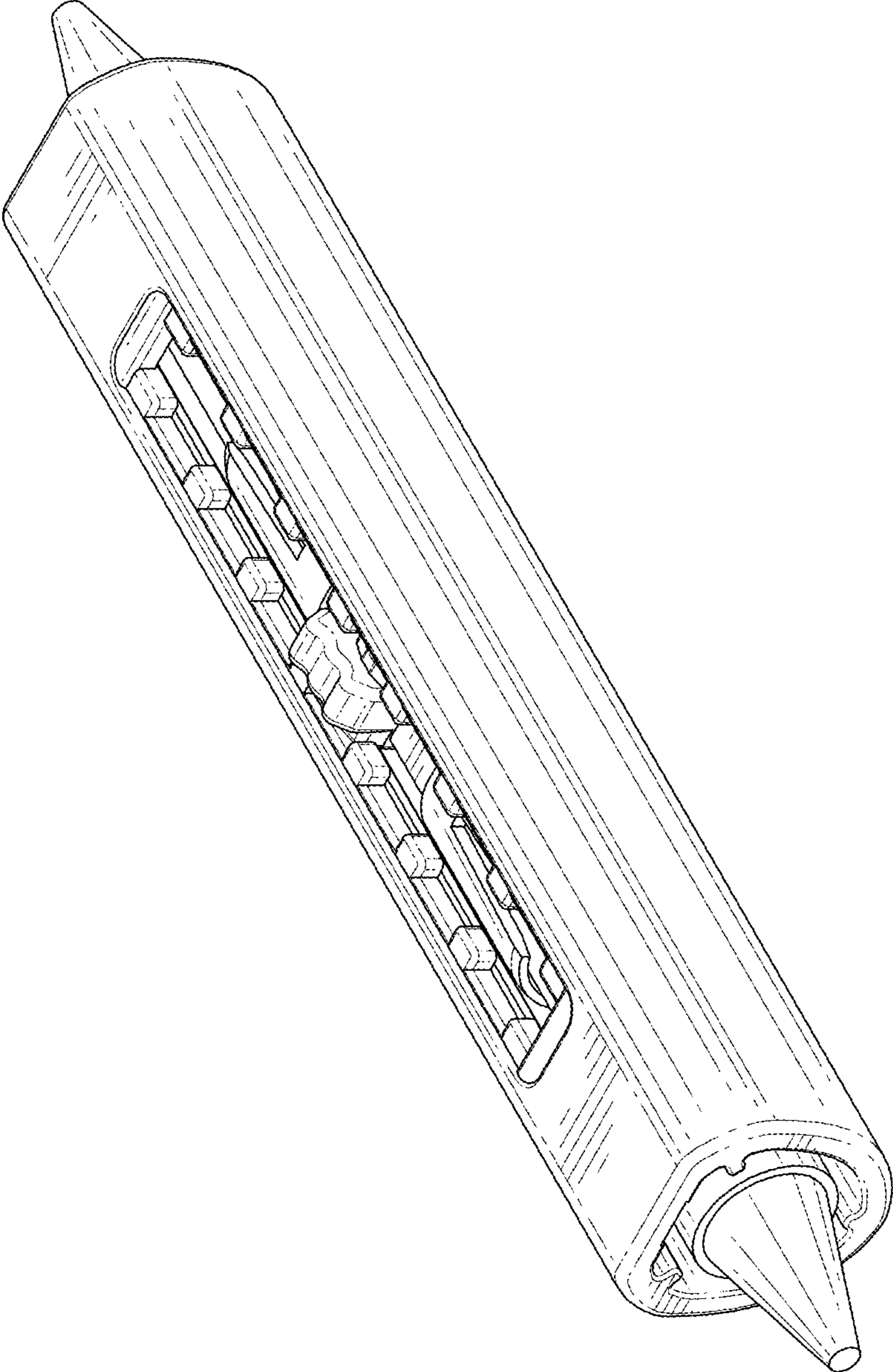


FIG. 1

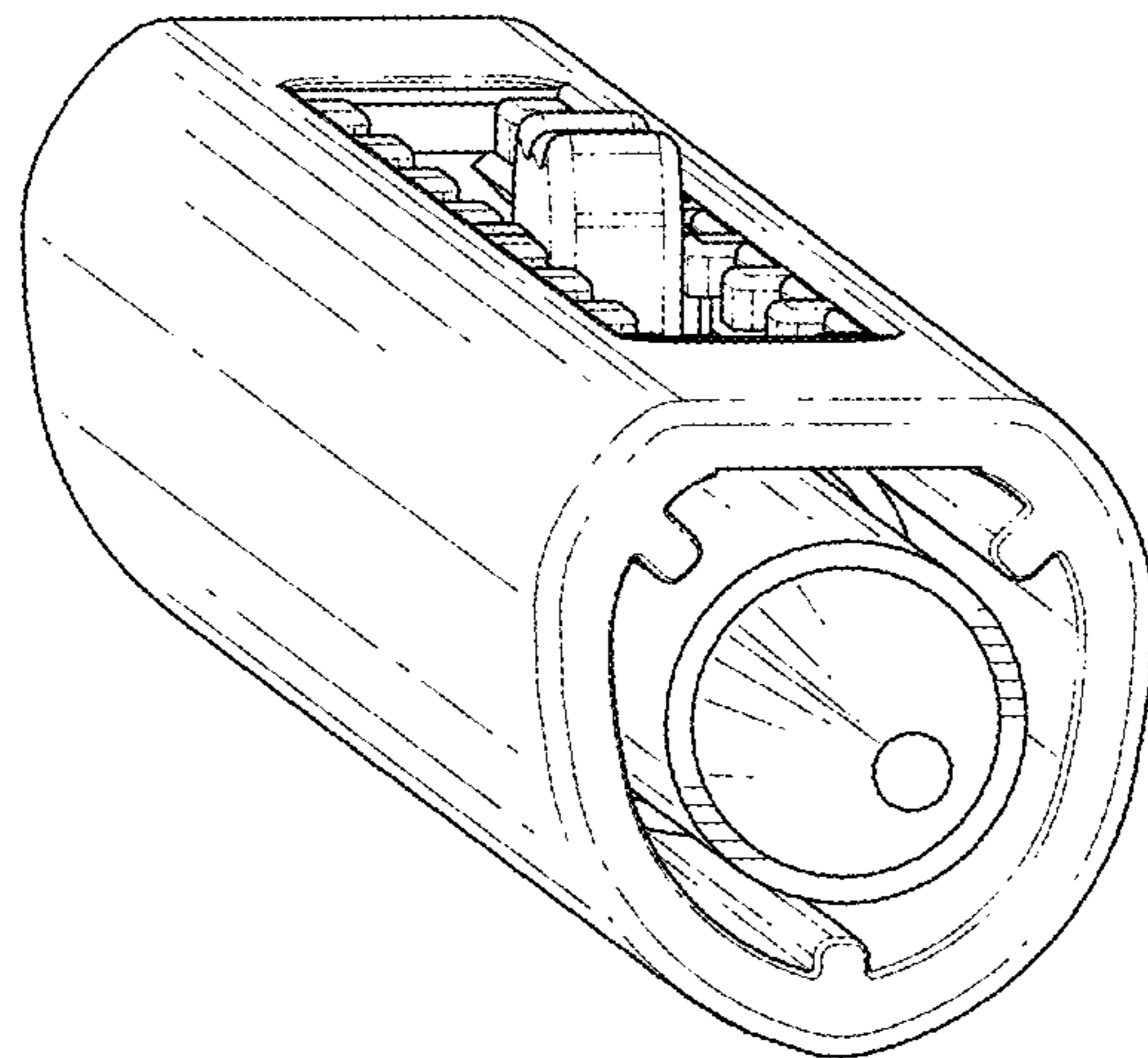


FIG. 2

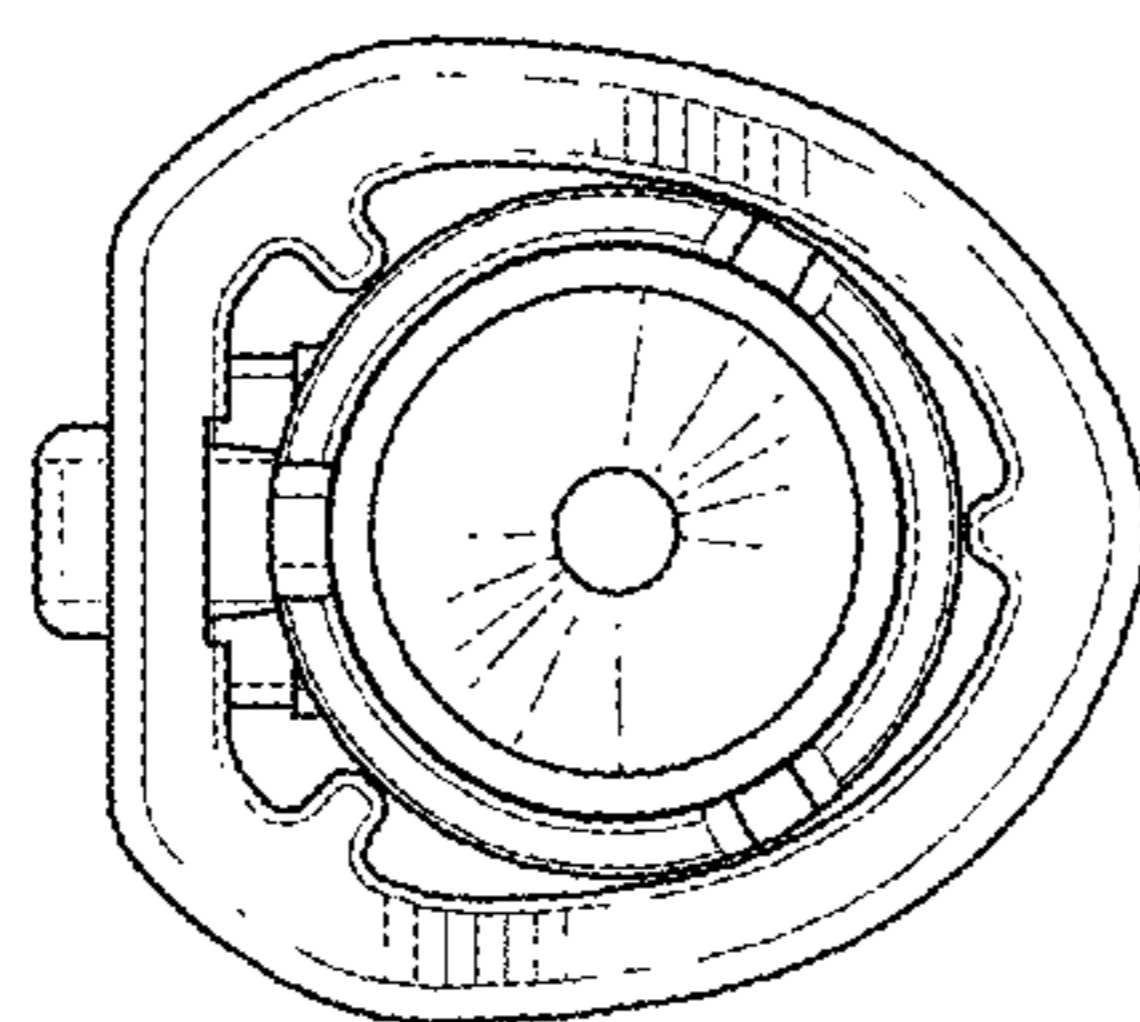


FIG. 4

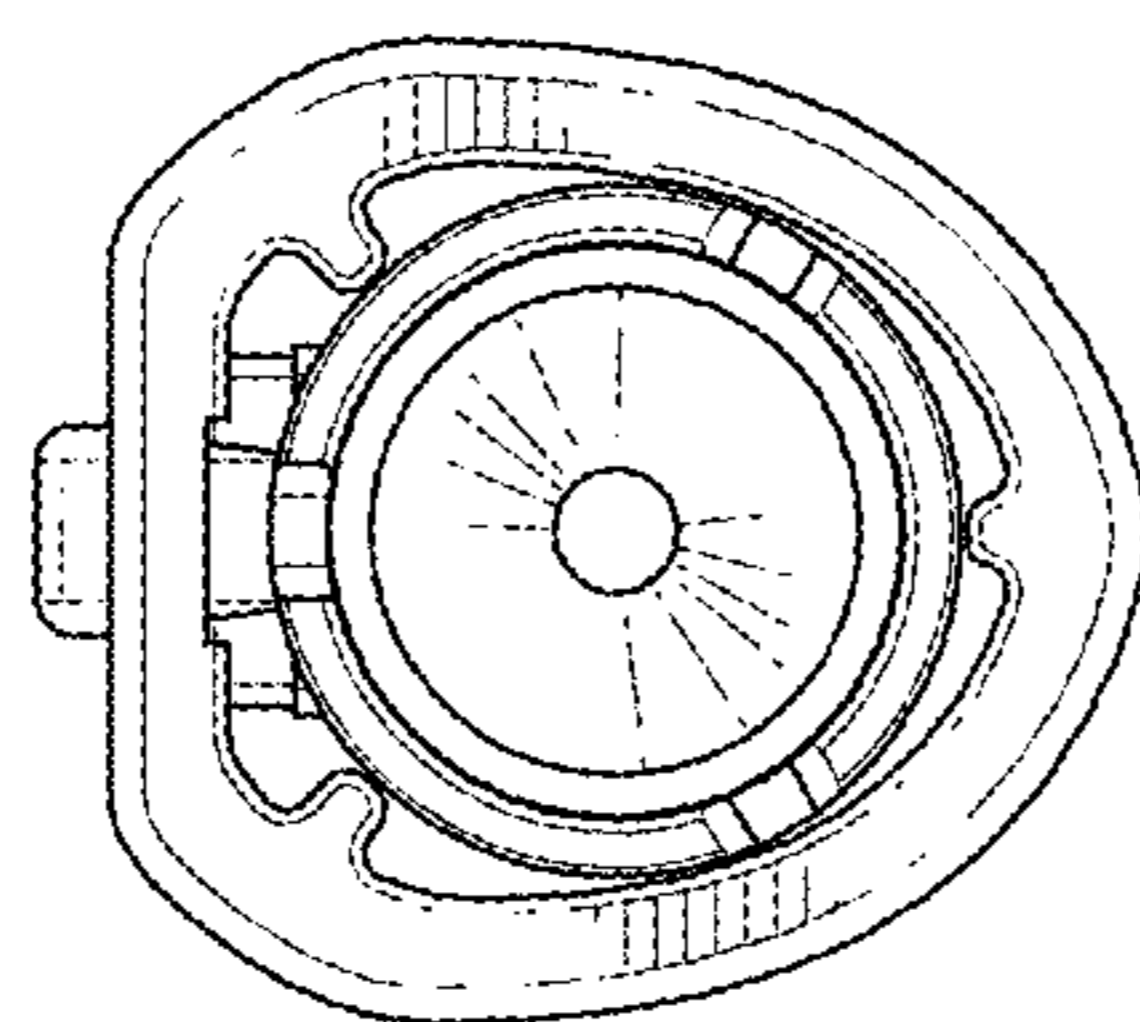


FIG. 3



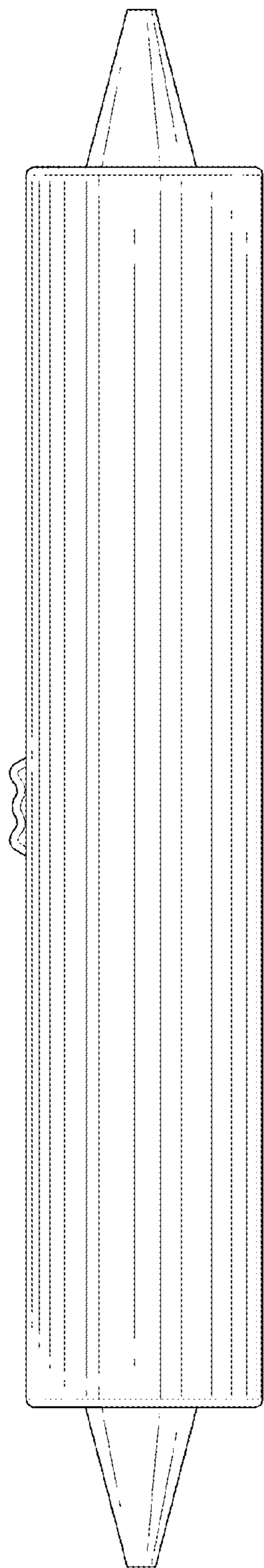


FIG. 5

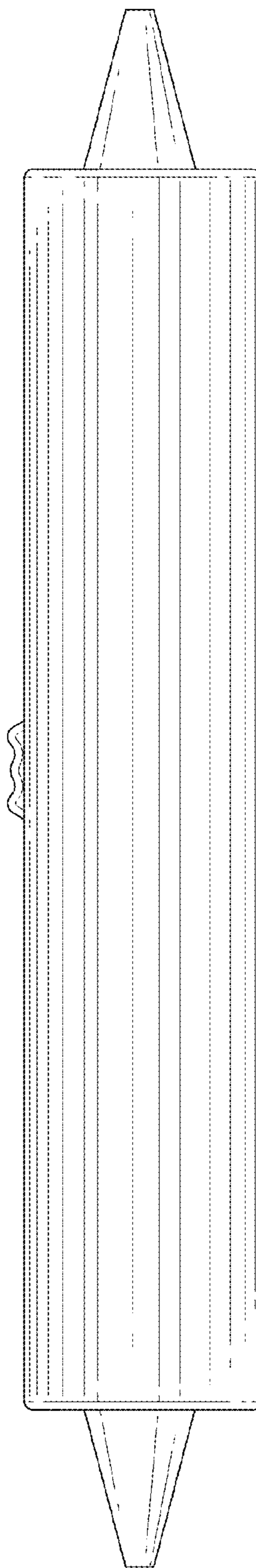


FIG. 6

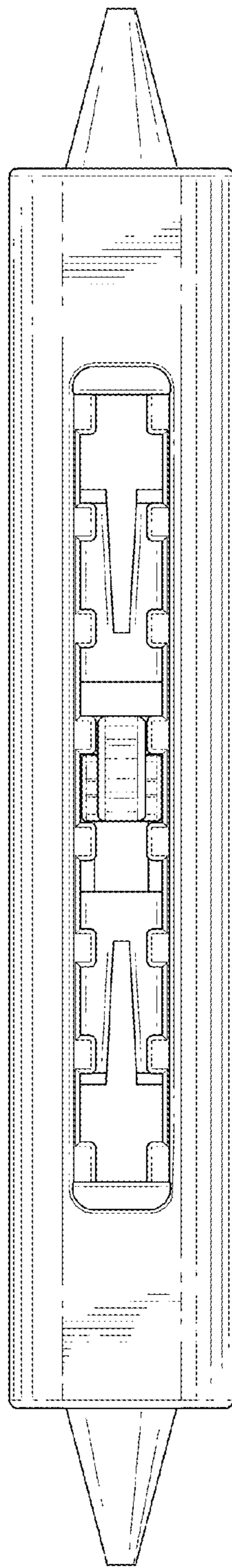


FIG. 7

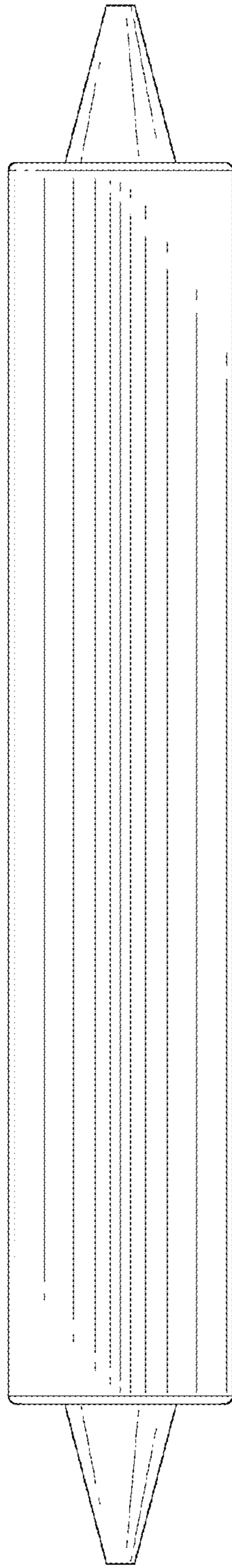


FIG. 8