



US00D746374S

(12) **United States Design Patent**
Adelman et al.

(10) **Patent No.:** **US D746,374 S**
(45) **Date of Patent:** **** Dec. 29, 2015**

- (54) **PEN**
- (71) Applicant: **Nite Ize, Inc.**, Boulder, CO (US)
- (72) Inventors: **Gregory M. Adelman**, Boulder, CO (US); **Bowden Ormsbee**, Longmont, CO (US)
- (73) Assignee: **Nite Ize, Inc.**, Boulder, CO (US)
- (**) Term: **14 Years**
- (21) Appl. No.: **29/498,603**
- (22) Filed: **Aug. 5, 2014**
- (51) **LOC (10) Cl.** **19-06**
- (52) **U.S. Cl.**
USPC **D19/169**; D19/917
- (58) **Field of Classification Search**
USPC D8/98, 99; D14/411; D19/115-204;
D28/7
CPC B43K 5/005; B43K 7/00; B43K 7/01;
B43K 7/10; B43K 7/12; B43K 19/00; B43K
19/02; B43K 8/04
See application file for complete search history.

D86,297 S *	2/1932	Bienenstein	D19/49
D86,826 S *	4/1932	Carman	D19/49
D87,611 S *	8/1932	Whitehouse	D19/50
D89,815 S *	5/1933	Tefft	D19/48
D206,917 S *	2/1967	Jensen	D19/49
D223,307 S *	4/1972	Nockolds	D19/164
D252,028 S *	6/1979	Carre	D19/164
D363,308 S *	10/1995	Sekine	D19/168
D597,600 S *	8/2009	Shimizu	D19/169
D601,195 S *	9/2009	Wang	D19/168
D601,199 S *	9/2009	Maretzki-Parente	D19/164
D606,117 S *	12/2009	Liu	D19/164
D652,081 S *	1/2012	Chu	D19/163
D653,563 S *	2/2012	Ziegler et al.	D9/773

* cited by examiner

Primary Examiner — Elizabeth Albert
(74) *Attorney, Agent, or Firm* — Haynes and Boone, LLP

(57) **CLAIM**
The ornamental design for a pen, as shown and described.

DESCRIPTION

FIG. 1 is a right front perspective view of a pen showing our new design;
FIG. 2 is a left front perspective view thereof;
FIG. 3 is a front elevational view thereof;
FIG. 4 is a back elevational view thereof;
FIG. 5 is a left side elevational view thereof;
FIG. 6 is a right side elevational view thereof;
FIG. 7 is a top plan view thereof; and,
FIG. 8 is a bottom plan view thereof.

1 Claim, 5 Drawing Sheets

- (56) **References Cited**
U.S. PATENT DOCUMENTS
D65,683 S * 9/1924 Benjamin D19/49
D81,248 S * 5/1930 Larsen D19/49
D84,394 S * 6/1931 Bienenstein D19/49

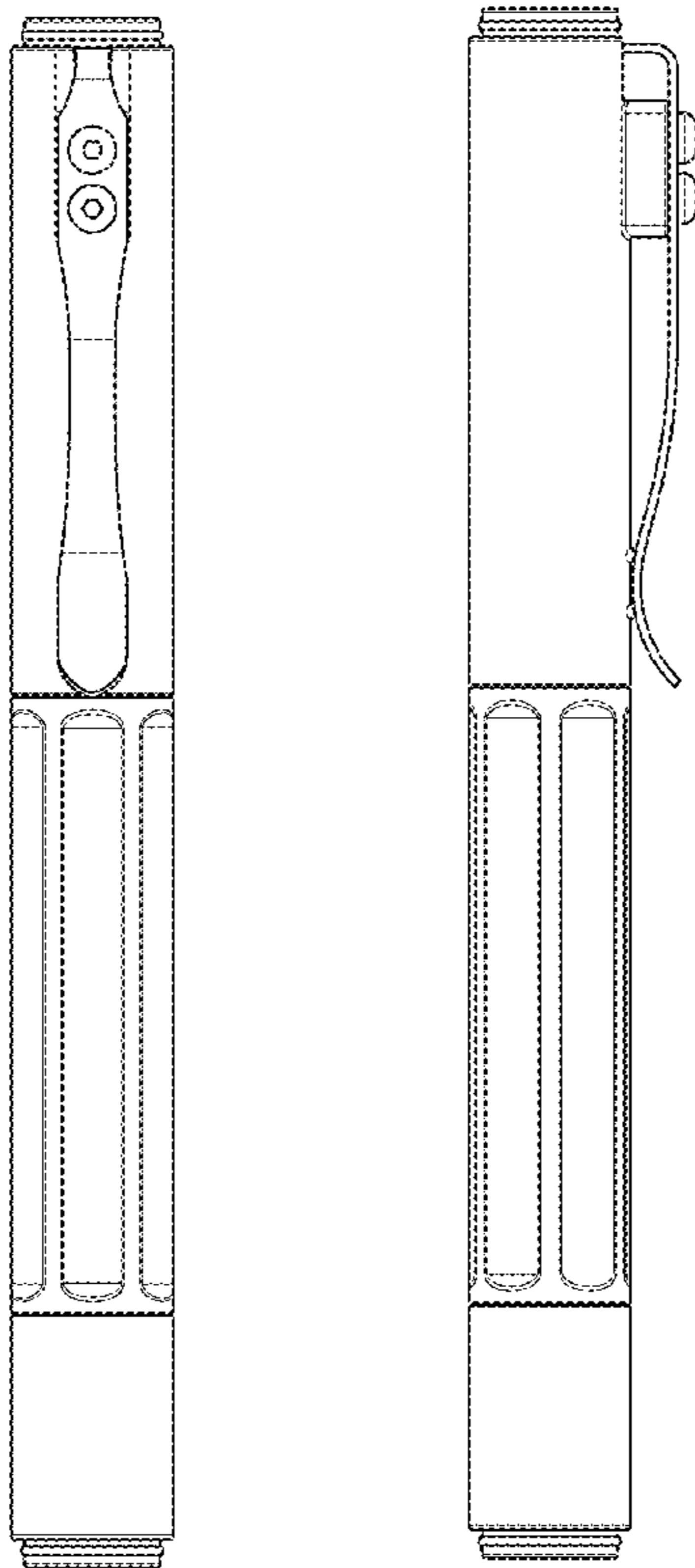


FIG. 1

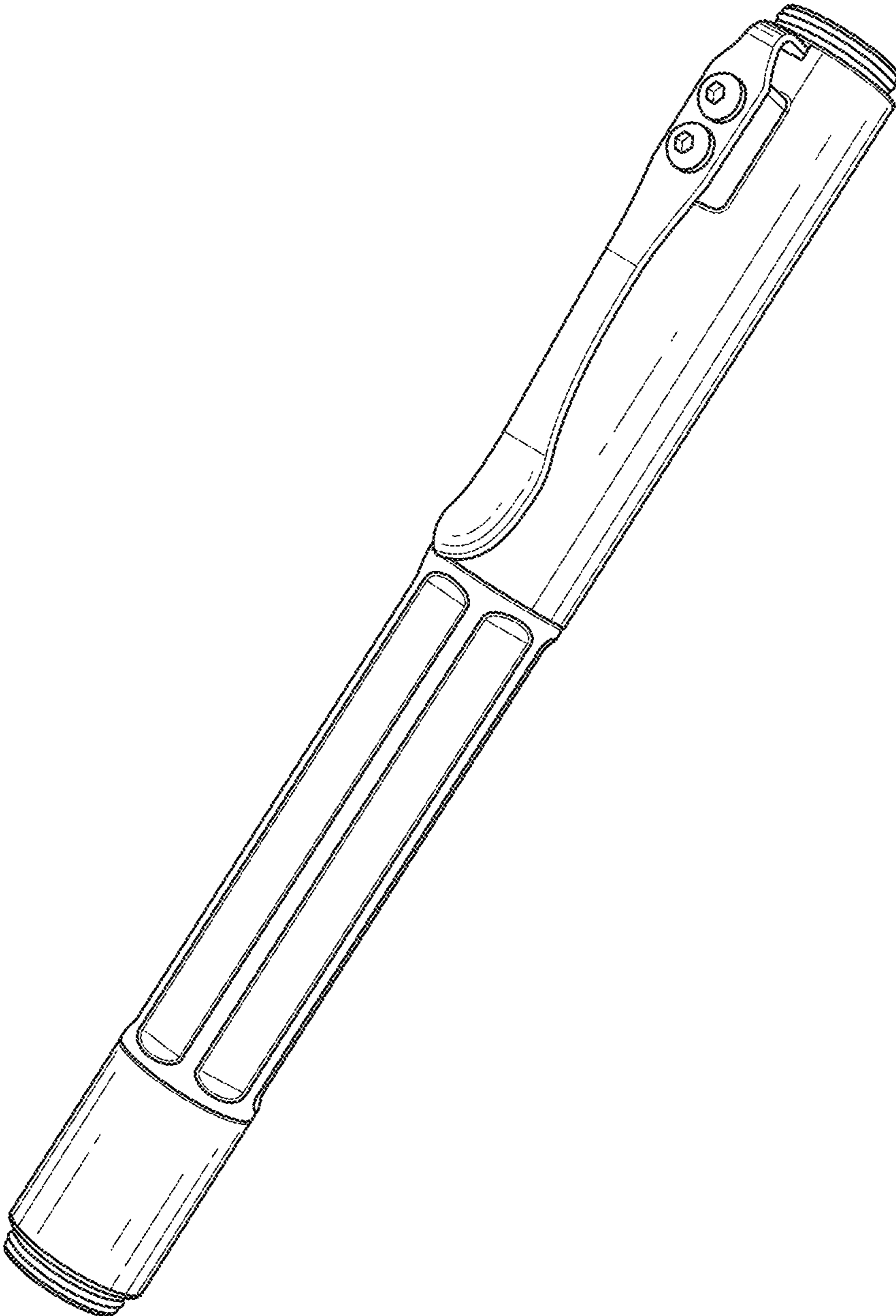


FIG. 2

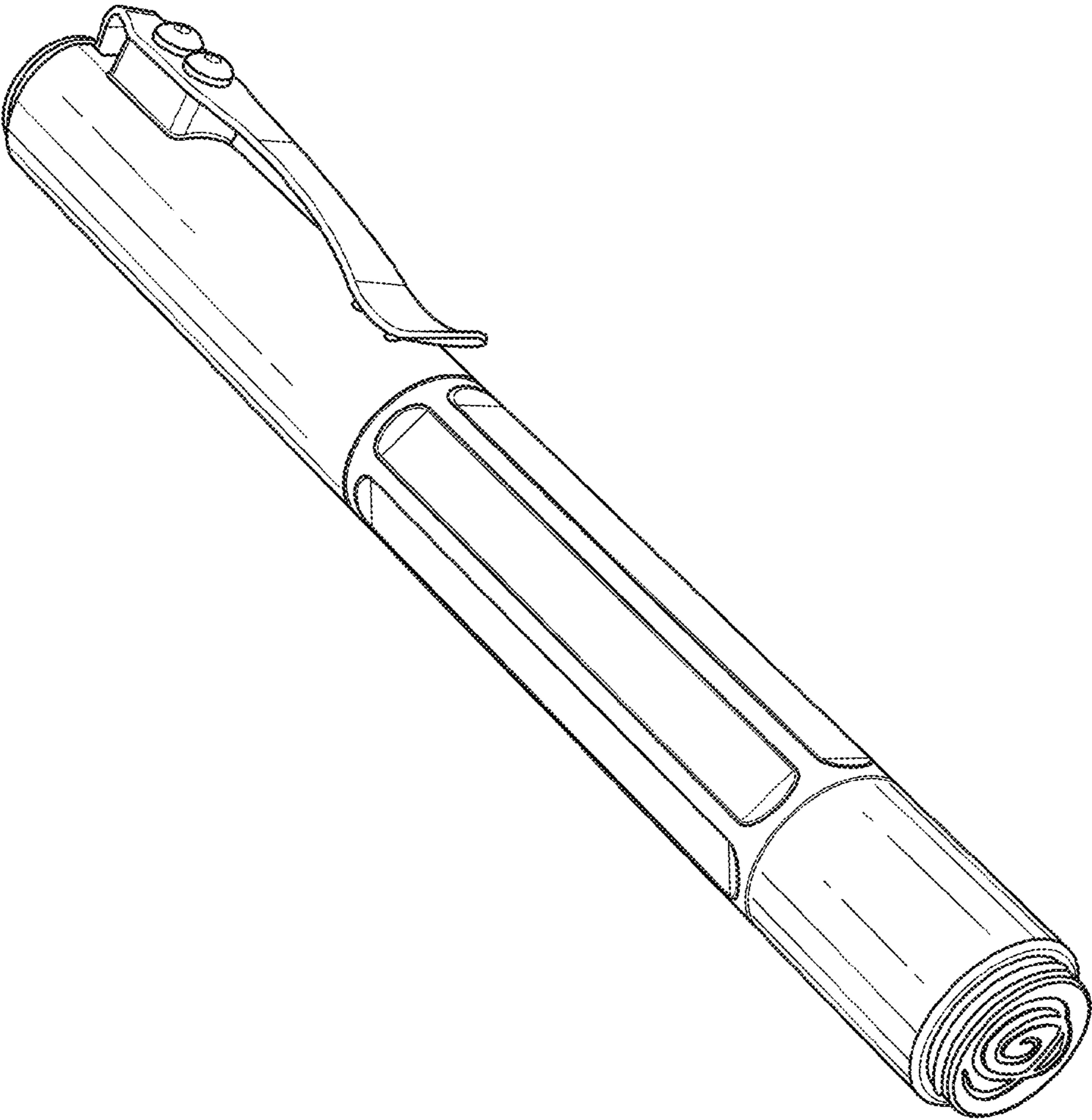


FIG. 3

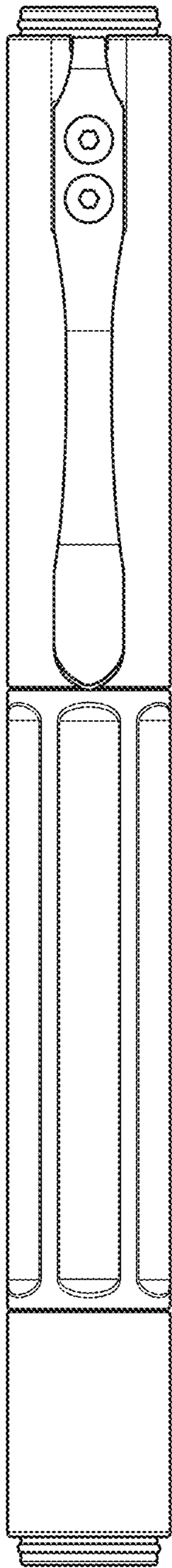


FIG. 4

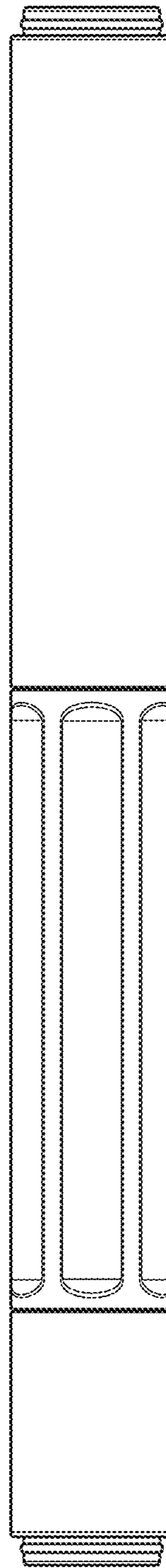


FIG. 5

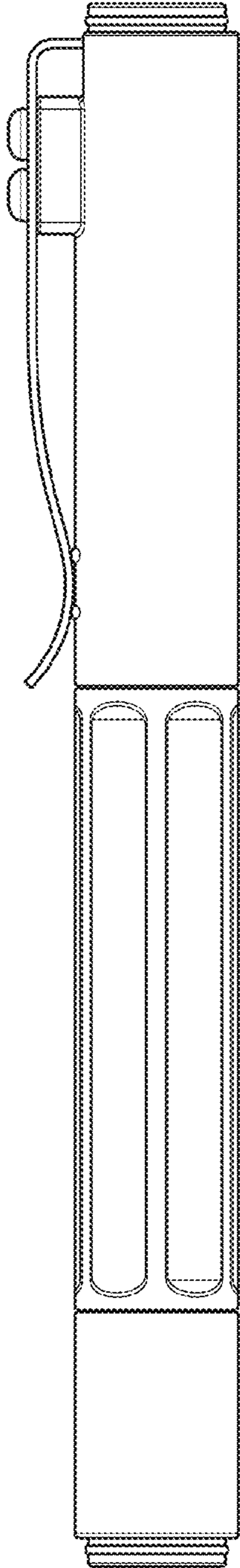


FIG. 6

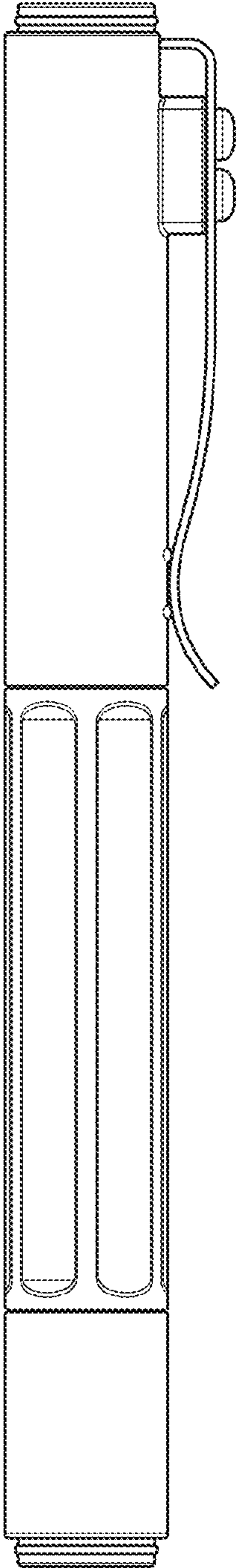


FIG. 7

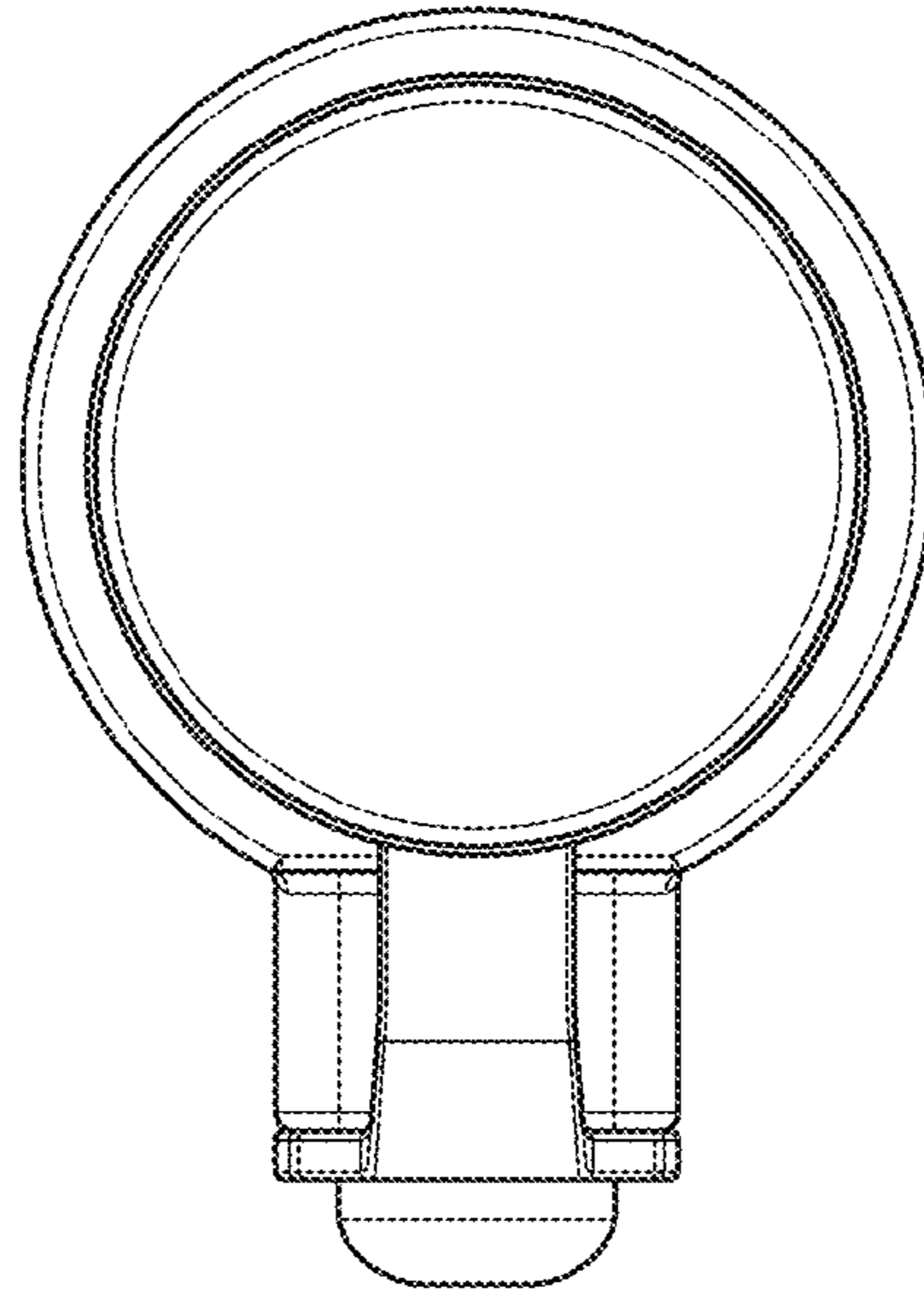


FIG. 8

