



US00D746358S

(12) **United States Design Patent**  
**Markovitz et al.**

(10) **Patent No.:** **US D746,358 S**  
(45) **Date of Patent:** **\*\* Dec. 29, 2015**

- (54) **EYEGLASSES**
- (71) Applicant: **Costa Del Mar, Inc.**, Daytona Beach, FL (US)
- (72) Inventors: **Aaron Markovitz**, New York, NY (US); **Artiss Akarra**, Johnston, RI (US)
- (73) Assignee: **Costa Del Mar, Inc.**, Daytona Beach, FL (US)
- (\*\*) Term: **14 Years**
- (21) Appl. No.: **29/502,452**
- (22) Filed: **Sep. 16, 2014**
- (51) **LOC (10) Cl.** ..... **16-06**
- (52) **U.S. Cl.**  
USPC ..... **D16/320**
- (58) **Field of Classification Search**  
USPC ..... D16/300, 304, 309–311, 314–330,  
D16/334–338, 341; D29/109, 110;  
D21/483, 660, 661; D14/372;  
351/41–46, 48, 49, 51, 52, 59, 61–63,  
351/92, 103–126, 140–153, 158, 159, 178;  
2/13, 15, 426–432, 434–437, 441, 447,  
2/448, 449  
CPC ..... G02C 2200/08; G02C 1/06; G02C 5/14;  
G02C 5/16  
See application file for complete search history.

- D155,580 S 10/1949 Coen
- D170,745 S 11/1953 Carmichael
- D173,868 S 1/1955 Belgard
- 2,749,800 A 6/1956 Gagnon
- 2,781,693 A 2/1957 Brumby
- D185,987 S 8/1959 Marfuggi
- D187,752 S 4/1960 Lindblom
- D192,884 S 5/1962 Petitto
- D193,028 S 6/1962 Petitto
- 3,052,160 A 9/1962 Ratti
- D202,658 S 10/1965 Petitto
- D204,812 S 5/1966 Shindler
- D207,028 S 2/1967 Griss
- D208,437 S 8/1967 Kono
- D209,861 S 1/1968 Demmel
- D209,862 S 1/1968 McCracken
- D210,697 S 4/1968 Ramp
- D210,698 S 4/1968 Simon
- 3,395,406 A 8/1968 Smith

(Continued)

**OTHER PUBLICATIONS**

Fathom, GlassMirror Lens. Costa Del Mar. Downloaded Dec. 7, 2006 at <http://www.eyeglasses.com/product/1091472073-1091472073>.

(Continued)

*Primary Examiner* — Susan Moon Lee  
(74) *Attorney, Agent, or Firm* — Malloy & Malloy, P.L.

(57) **CLAIM**  
The ornamental design for eyeglasses, as shown and described.

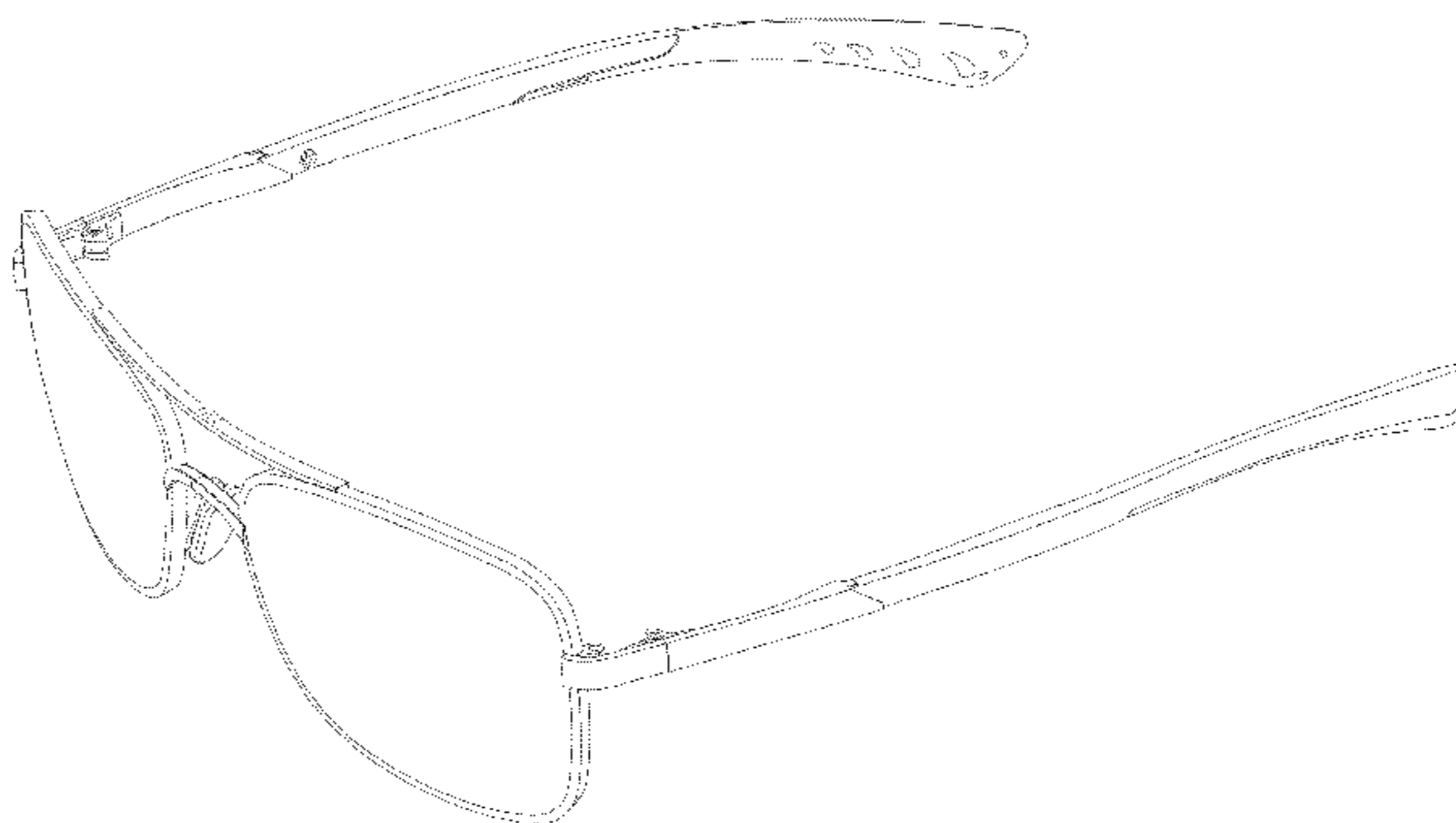
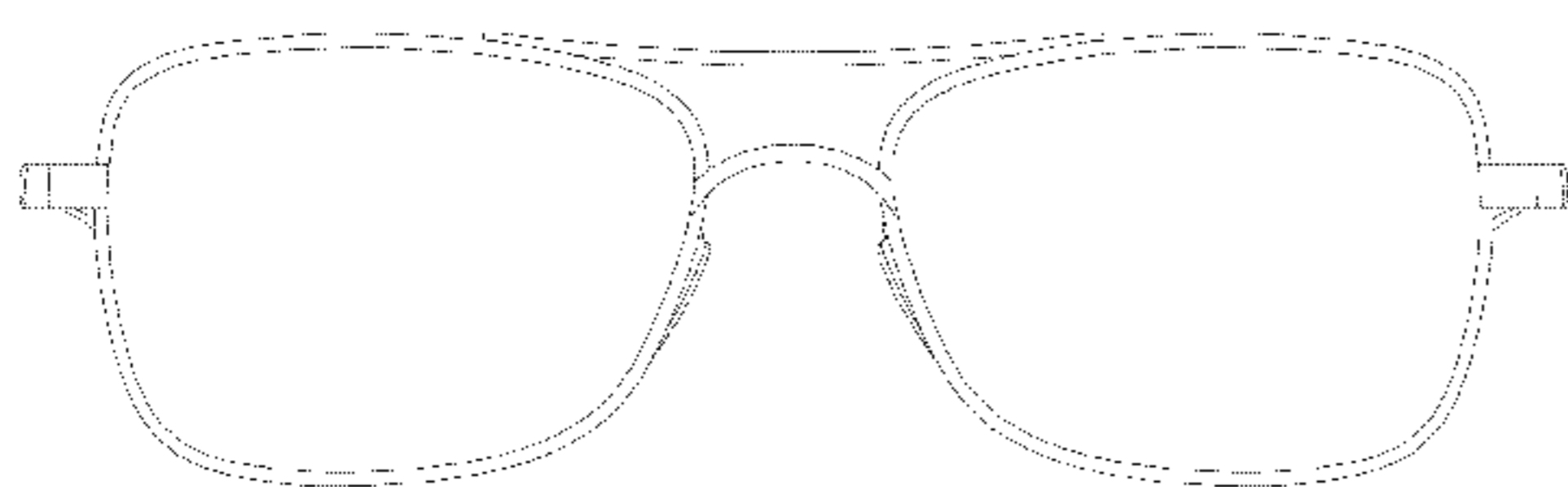
(56) **References Cited**  
U.S. PATENT DOCUMENTS

- D84,596 S 7/1931 Rohman
- D135,992 S 7/1943 Pomeranz
- 2,403,223 A 7/1946 Kaesz
- D146,004 S 12/1946 Jacobson
- D146,602 S 4/1947 Jaffe
- D149,312 S 4/1948 Schwartz
- D151,070 S 9/1948 Rohman
- D151,222 S 10/1948 Ditto
- 2,482,195 A 9/1949 Martin

**DESCRIPTION**

FIG. 1 is a front view illustrating our design for eyeglasses; FIG. 2 is a top plan view thereof; FIG. 3 is a left side view thereof; the right side being a mirror image thereof; FIG. 4 is a front perspective view thereof; FIG. 5 is a rear view thereof; and, FIG. 6 is a bottom view thereof.

**1 Claim, 6 Drawing Sheets**









(56)

References Cited

U.S. PATENT DOCUMENTS

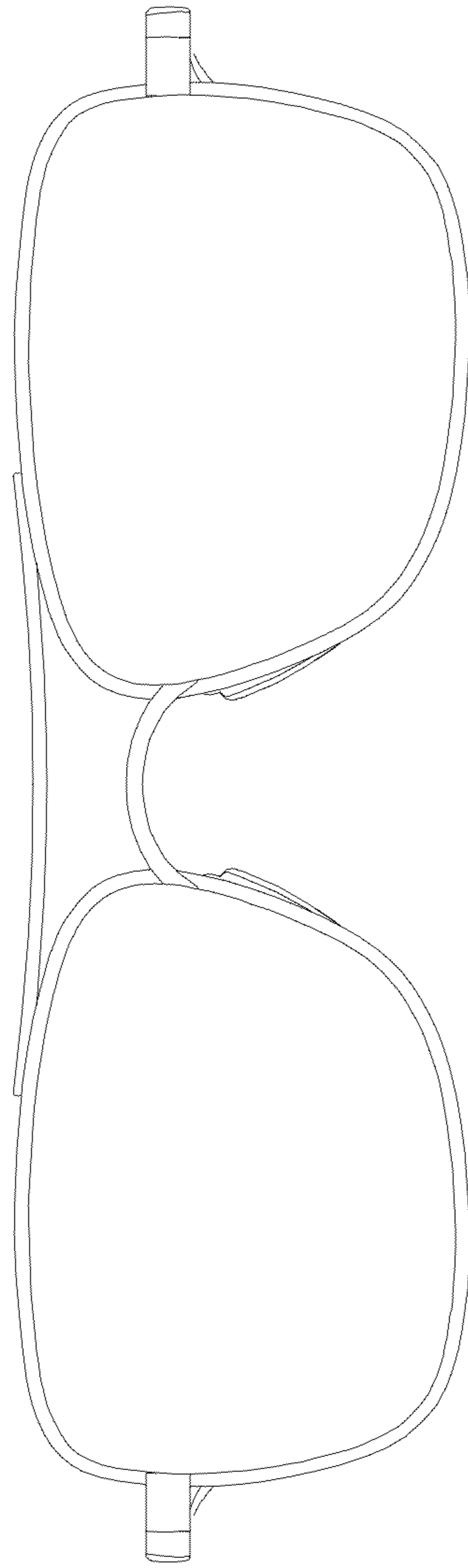
D655,741 S \* 3/2012 Yee ..... D16/320  
 D656,088 S 3/2012 Krier et al.  
 D656,177 S 3/2012 Sallard  
 D658,704 S 5/2012 Markovitz et al.  
 D659,182 S 5/2012 Shin et al.  
 D660,342 S 5/2012 Kim et al.  
 D660,343 S 5/2012 Froissard  
 D660,344 S 5/2012 Gonzalez  
 8,182,086 B2 5/2012 Cheong  
 D661,340 S 6/2012 Kim et al.  
 D662,537 S 6/2012 Markovitz et al.  
 D663,764 S 7/2012 Serlenga  
 D664,589 S 7/2012 Gonzalez  
 D664,590 S 7/2012 Shin  
 D667,044 S 9/2012 Markovitz et al.  
 D667,045 S 9/2012 Gonzalez  
 D669,925 S 10/2012 Faber et al.  
 D671,163 S 11/2012 Markovitz et al.  
 D671,591 S 11/2012 Markovitz et al.  
 D671,978 S 12/2012 Markovitz et al.  
 D671,980 S 12/2012 Sallard  
 D671,984 S 12/2012 Fuchs  
 D673,205 S 12/2012 Earley  
 D673,599 S 1/2013 Earley  
 D674,432 S 1/2013 Earley  
 D674,434 S 1/2013 Rohrbach  
 D674,835 S 1/2013 Esson  
 D675,664 S 2/2013 Moritz  
 D675,665 S 2/2013 Faber et al.  
 D675,666 S 2/2013 Thixton et al.  
 D675,670 S 2/2013 Fuchs  
 D675,671 S 2/2013 Markovitz et al.  
 D676,896 S 2/2013 Chen  
 D677,311 S 3/2013 Markovitz et al.  
 D677,312 S 3/2013 Markovitz et al.  
 D677,313 S 3/2013 Markovitz et al.  
 D677,314 S 3/2013 Markovitz et al.  
 D677,316 S 3/2013 Markovitz et al.  
 D678,389 S 3/2013 Rohrbach  
 D679,313 S 4/2013 Bachelder  
 D680,153 S 4/2013 Santoiemma et al.  
 D680,574 S 4/2013 DeCelles et al.  
 D680,577 S 4/2013 Slosar et al.  
 D681,093 S 4/2013 Slosar et al.  
 D681,094 S 4/2013 Markovitz et al.  
 D681,095 S 4/2013 Markovitz et al.  
 D681,099 S 4/2013 Markovitz et al.  
 D681,100 S 4/2013 Markovitz et al.  
 D682,345 S 5/2013 Fuchs  
 D682,921 S 5/2013 Sallard  
 D683,389 S 5/2013 Stables  
 D685,409 S 7/2013 Sheldon  
 D685,840 S 7/2013 Della Valle et al.  
 D688,728 S 8/2013 Markovitz et al.  
 D689,118 S 9/2013 Koh et al.  
 D694,313 S 11/2013 Mage  
 D694,314 S 11/2013 Mage  
 D694,808 S 12/2013 Holloway  
 D694,809 S 12/2013 Della Valle et al.  
 D697,128 S \* 1/2014 Szymanski ..... D16/303  
 D697,548 S 1/2014 Earley  
 D697,963 S 1/2014 Earley  
 D700,930 S 3/2014 Earley

D700,933 S 3/2014 Shin  
 D701,555 S 3/2014 Markovitz et al.  
 D701,896 S 4/2014 Markovitz et al.  
 D702,283 S 4/2014 Markovitz et al.  
 D702,284 S 4/2014 Markovitz et al.  
 D702,758 S 4/2014 Markovitz et al.  
 D703,259 S 4/2014 Markovitz et al.  
 D703,729 S 4/2014 Markovitz et al.  
 D703,730 S 4/2014 Markovitz et al.  
 D703,731 S \* 4/2014 Markovitz et al. .... D16/320  
 D703,732 S \* 4/2014 Markovitz et al. .... D16/320  
 D704,250 S 5/2014 Miera  
 D704,764 S 5/2014 Markovitz et al.  
 D704,765 S 5/2014 Markovitz et al.  
 D705,339 S 5/2014 Yoo  
 D705,340 S 5/2014 Shin  
 D705,848 S 5/2014 Markovitz et al.  
 D706,334 S 6/2014 Markovitz et al.  
 D706,858 S 6/2014 Markovitz et al.  
 D706,859 S 6/2014 Markovitz et al.  
 D706,860 S 6/2014 Markovitz et al.  
 D706,861 S 6/2014 Hou  
 D709,122 S 7/2014 Markovitz et al.  
 D709,941 S 7/2014 Rhea et al.  
 D710,428 S 8/2014 Rhea et al.  
 D710,429 S 8/2014 Rhea et al.  
 D710,431 S 8/2014 Votel et al.  
 D717,865 S 11/2014 Votel et al.  
 D718,371 S 11/2014 Morton  
 8,911,075 B2 12/2014 Chen  
 D720,798 S 1/2015 Lee et al.  
 D722,103 S 2/2015 Sheldon  
 D723,610 S 3/2015 Chen  
 D727,405 S 4/2015 Damin et al.  
 D728,664 S 5/2015 Yoo  
 D728,671 S 5/2015 Chen  
 D729,865 S 5/2015 Chen  
 D730,975 S 6/2015 Stables  
 D731,580 S 6/2015 Chou  
 D733,212 S 6/2015 Stables  
 D733,791 S 7/2015 Yang  
 D735,262 S 7/2015 Hsu  
 D735,796 S 8/2015 Earley  
 2005/0007546 A1 \* 1/2005 Pilat et al. .... 351/154  
 2005/0243271 A1 11/2005 Oura et al.  
 2005/0280771 A1 12/2005 DiChiara et al.  
 2006/0238698 A1 10/2006 Sheldon  
 2006/0238700 A1 10/2006 Del Vecchio  
 2006/0268218 A1 11/2006 Medana  
 2007/0013863 A1 \* 1/2007 Zelazowski ..... 351/47  
 2007/0261155 A1 11/2007 Tabacchi  
 2010/0064422 A1 3/2010 Dichiaro  
 2010/0085533 A1 4/2010 Calilung et al.

OTHER PUBLICATIONS

José, Blue Mirror Lens. Costa Del Mar. Downloaded Apr. 20, 2012 at <http://www.costadelmar.com/shop/sunglasses/jose>.  
 Cheeca, Copper Lens. Costa Del Mar. Downloaded Apr. 20, 2012 at <http://www.costadelmar.com/shop/sunglasses/cheeca>.  
 Bonita, Gray Lens. Costa Del Mar. Downloaded Apr. 20, 2012 at <http://www.costadelmar.com/shop/sunglasses/bonita>.  
 Native Product Catalog Two Thousand Thirteen. Costa Del Mar. 2012. pp. 6-7.  
 Costa 2013 Workbook. Costa Del Mar. 2012. pp. 14-19.

\* cited by examiner



**figure 1**

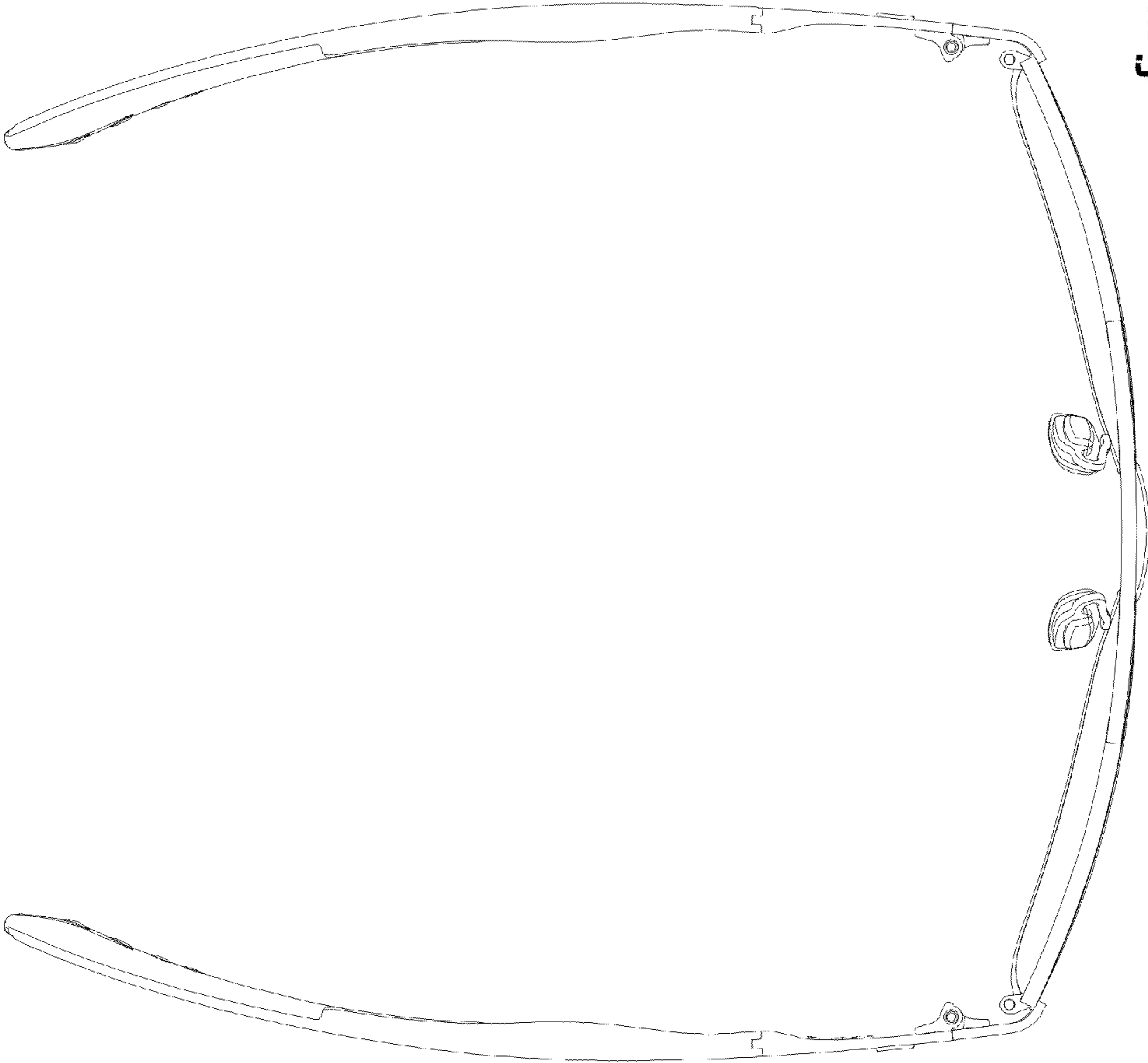


figure 2

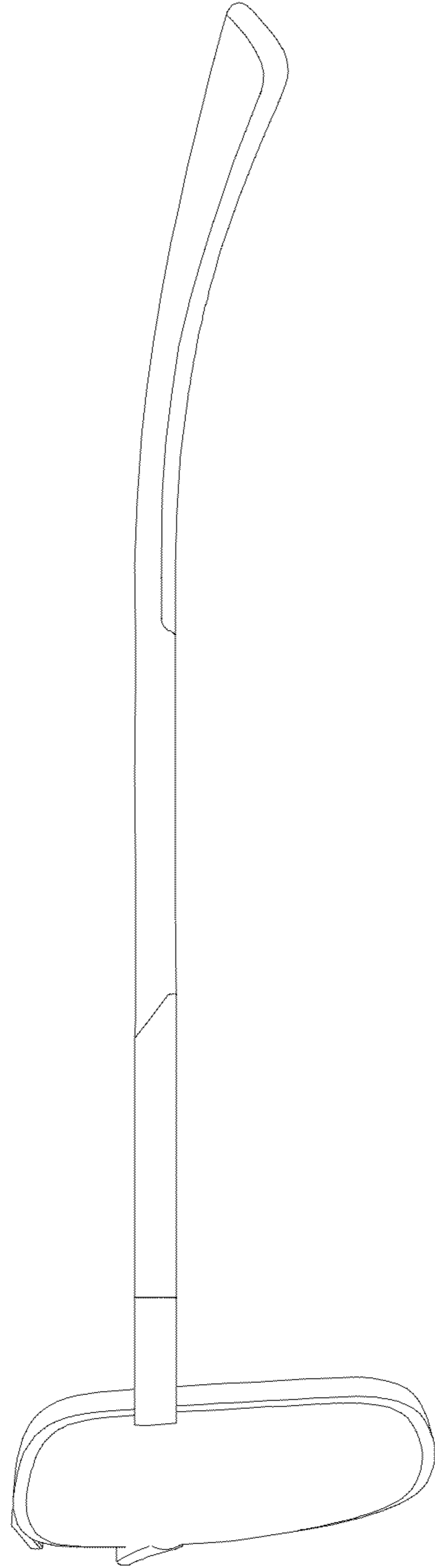


figure 3



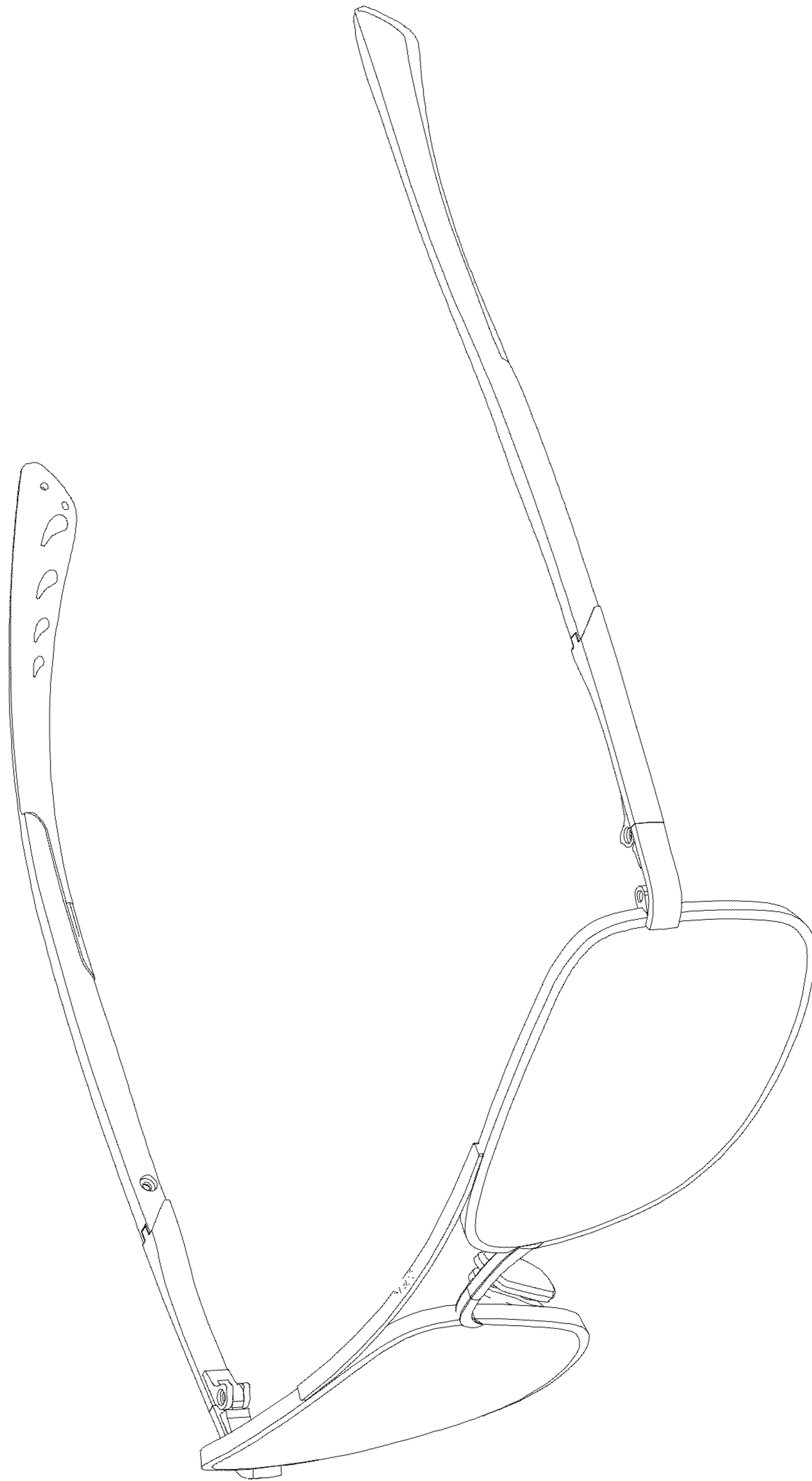


figure 4

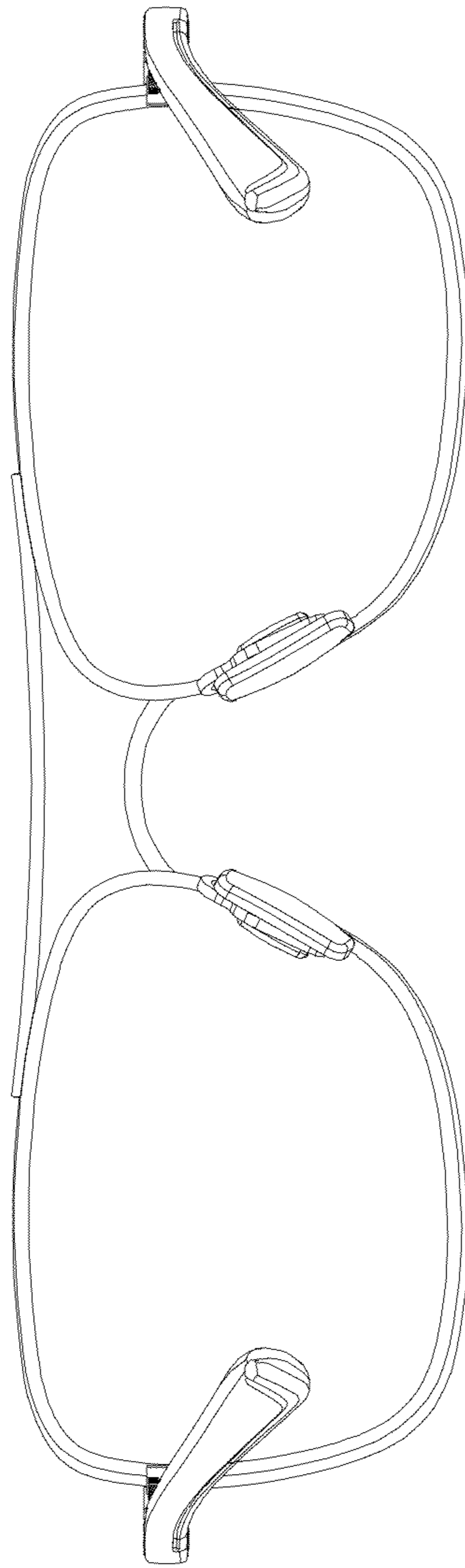


figure 5

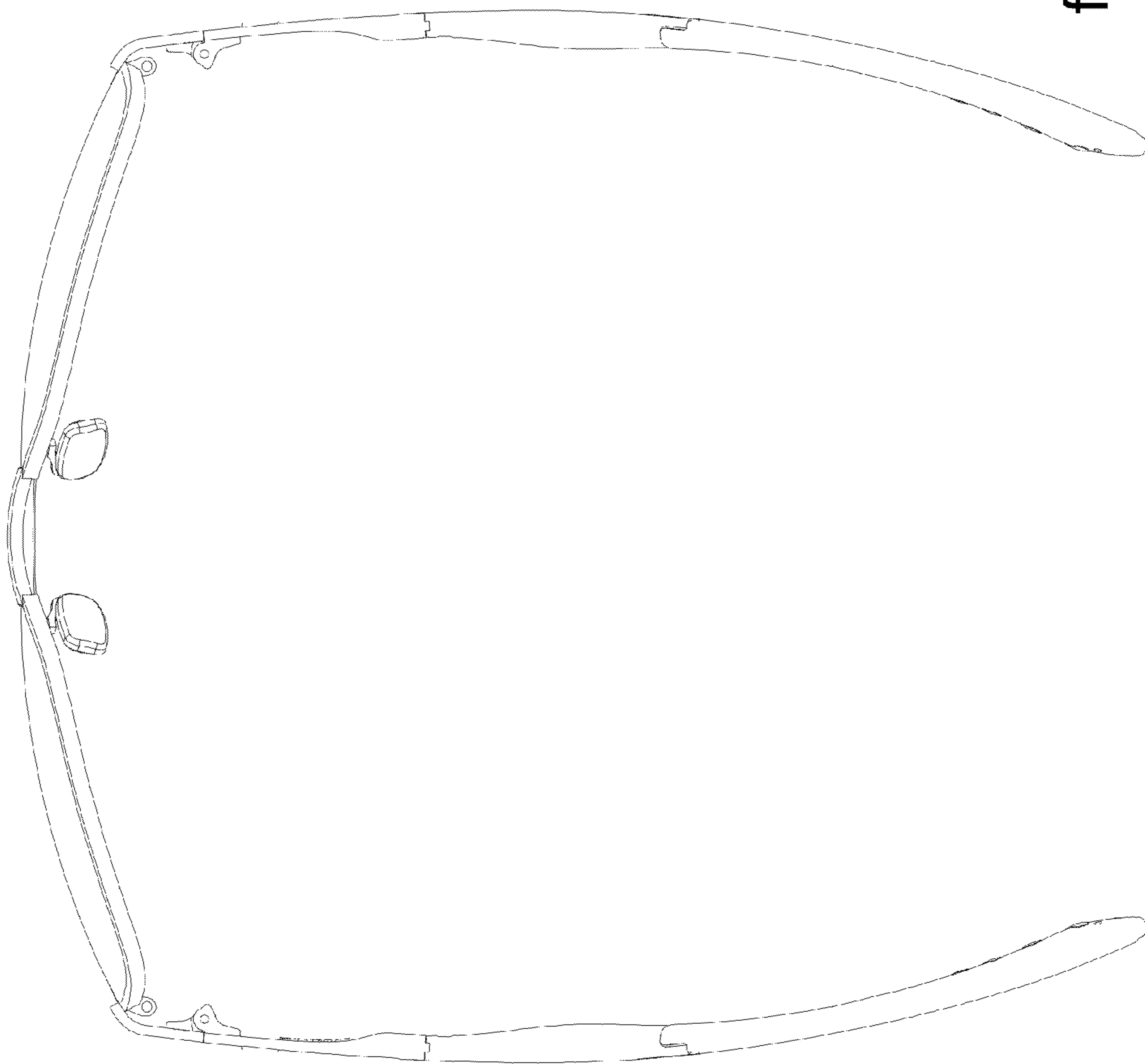


figure 6