



US00D746354S

(12) **United States Design Patent**
Chang

(10) **Patent No.:** **US D746,354 S**

(45) **Date of Patent:** **** Dec. 29, 2015**

(54) **THROUGH-THE-LENS LOUPES WITH IMPROVED DECLINATION ANGLE**

(71) Applicant: **General Scientific Corporation**, Ann Arbor, MI (US)

(72) Inventor: **Byung J. Chang**, Ann Arbor, MI (US)

(73) Assignee: **General Scientific Corporation**, Ann Arbor, MI (US)

(**) Term: **14 Years**

(21) Appl. No.: **29/480,902**

(22) Filed: **Jan. 30, 2014**

(51) **LOC (10) Cl.** **16-06**

(52) **U.S. Cl.**
USPC **D16/309**

(58) **Field of Classification Search**
USPC D16/101, 300-342, 900; D29/109-110;
351/41, 44-46, 51-52, 62, 158, 92,
351/103-123, 140-153, 63, 59, 156; 2/13,
2/15, 426-432, 447-449, 441, 434-437;
D21/483, 659-661

CPC G02C 2200/08; G02C 1/06; G02C 11/02;
G02C 11/04; G02C 7/08; G02C 7/02; G02C
7/14; G02B 25/00; G02B 25/002; G02B
25/004; G02B 7/002

See application file for complete search history.

(56) **References Cited**

U.S. PATENT DOCUMENTS

3,273,456 A 9/1966 Feinbloom
4,834,525 A 5/1989 Vansaghi

5,384,607 A 1/1995 Morris et al.
6,120,145 A 9/2000 Lyst, Jr. et al.
6,513,929 B2 * 2/2003 Chang 351/158
6,667,832 B2 12/2003 Caplan et al.
D592,691 S * 5/2009 Chang D16/309
D592,692 S * 5/2009 Chang D16/309
D592,693 S * 5/2009 Chang D16/309
7,542,204 B2 6/2009 Fante et al.
D617,825 S * 6/2010 Chang D16/309
7,891,808 B2 2/2011 Mazurenko
2012/0250145 A1 10/2012 Feinbloom et al.
2012/0250414 A1 10/2012 Khandelwal et al.

FOREIGN PATENT DOCUMENTS

EP 1073924 3/2008

* cited by examiner

Primary Examiner — Raphael Barkai

(74) *Attorney, Agent, or Firm* — Dinsmore & Shohl LLP

(57) **CLAIM**

The ornamental design for a through-the-lens loupes with improved declination angle, as shown and described.

DESCRIPTION

FIG. 1 is a perspective view of the invention;

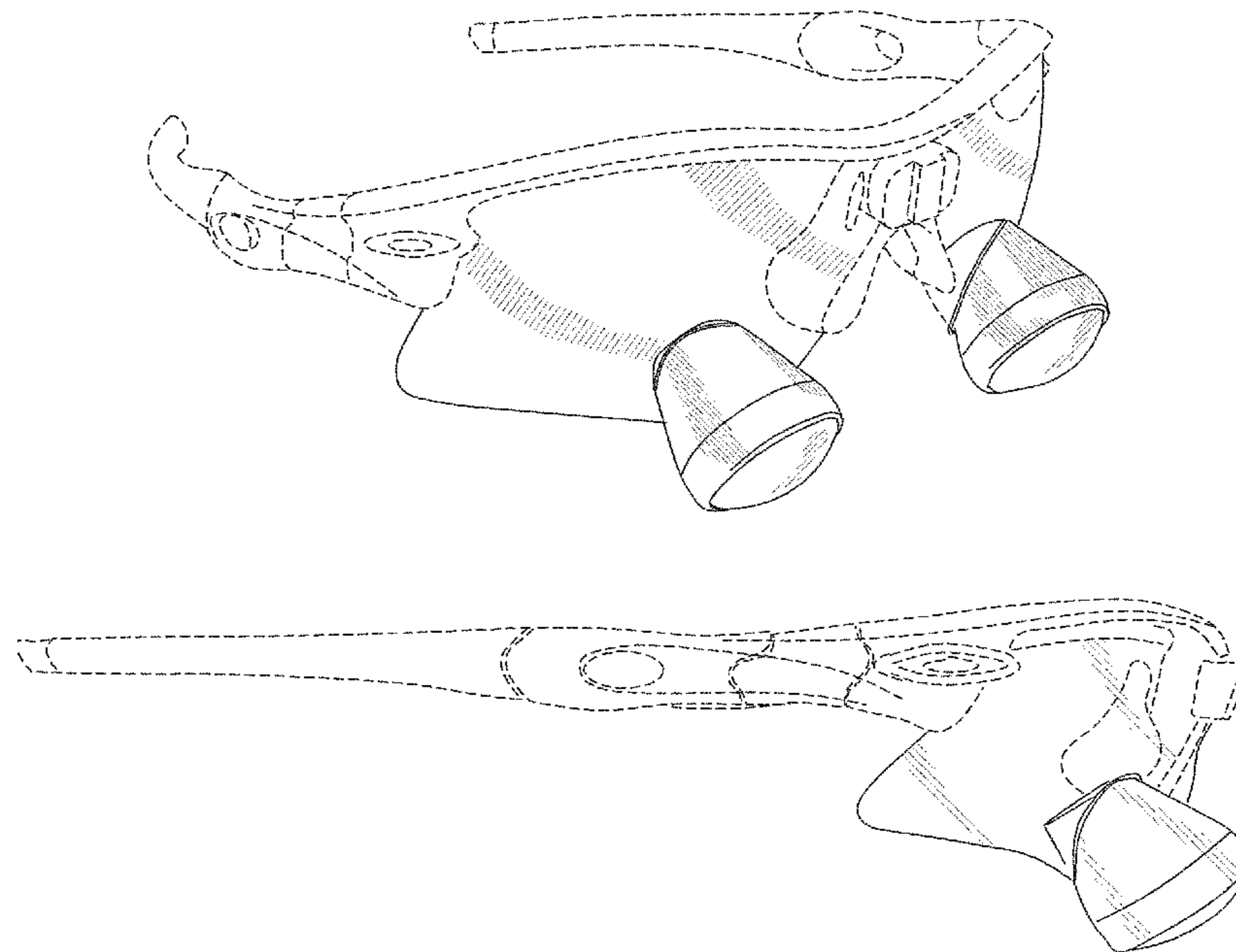
FIG. 2 is a side view of the invention;

FIG. 3 is a front view of the invention; and,

FIG. 4 is a top view of the invention.

The broken line showing of the eyeglass frame is included for the purposes of illustrating environment and forms no part of the claimed design.

1 Claim, 2 Drawing Sheets



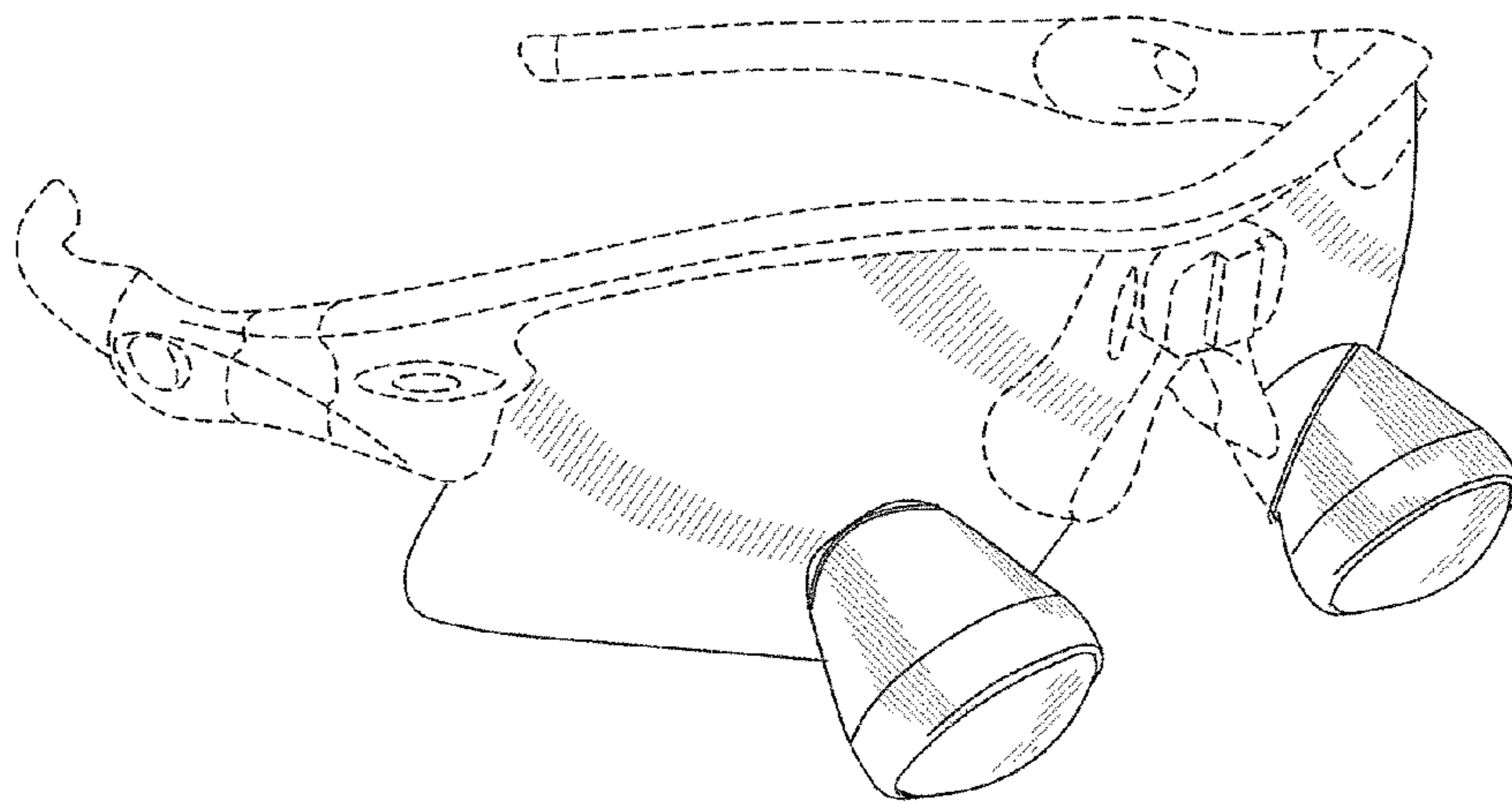


Fig - 1

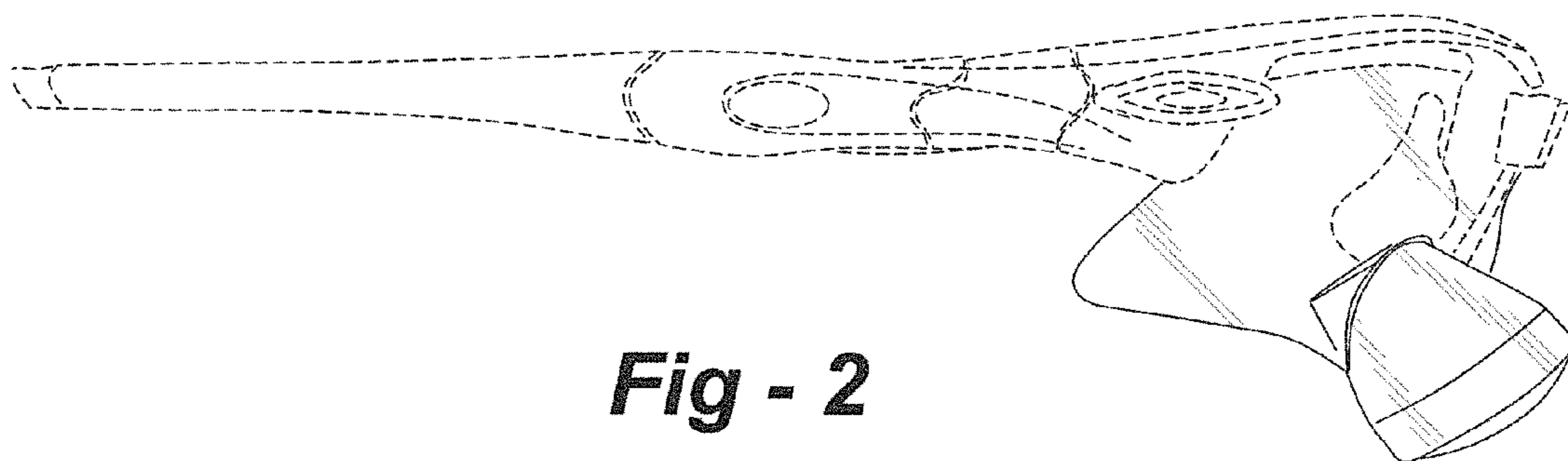


Fig - 2

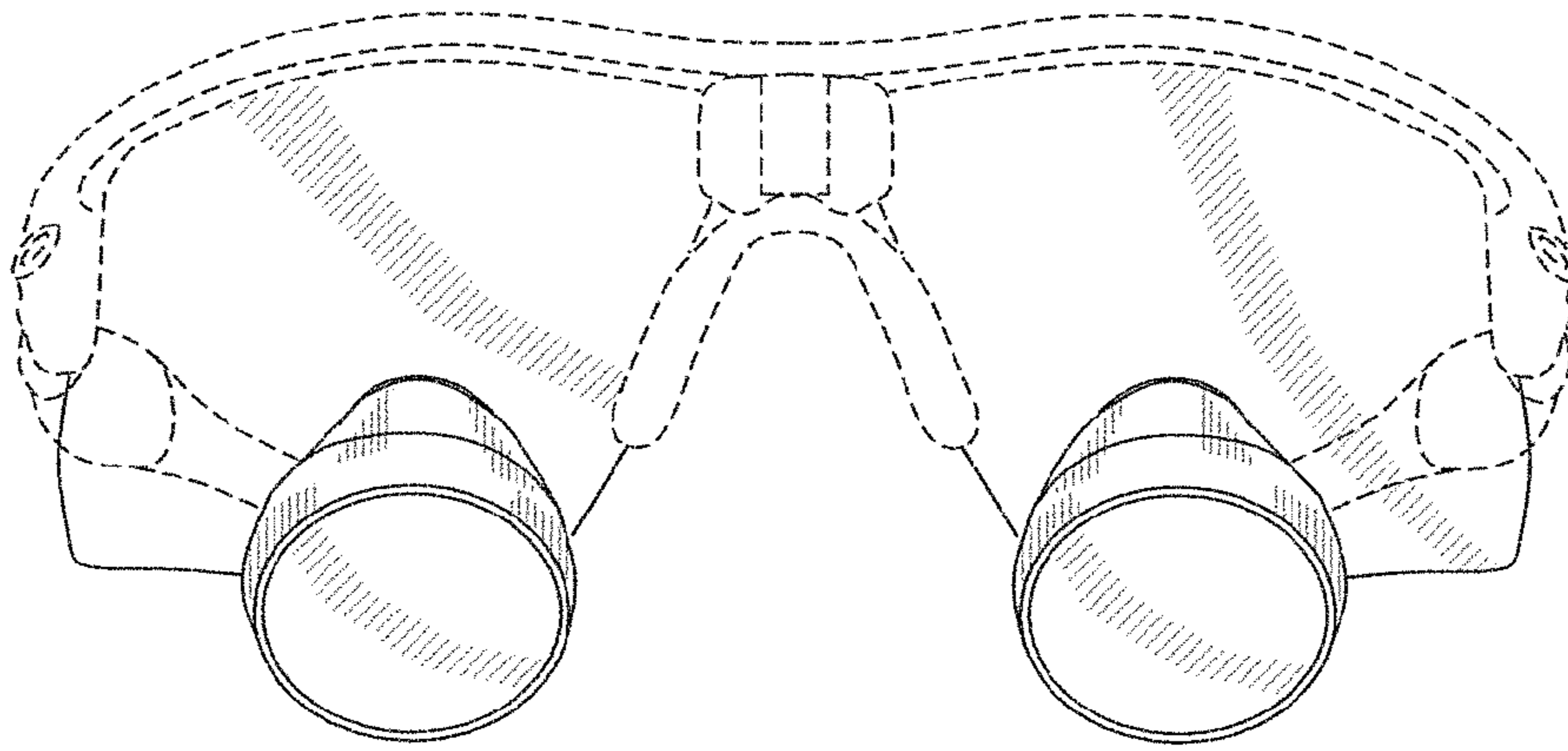


Fig - 3

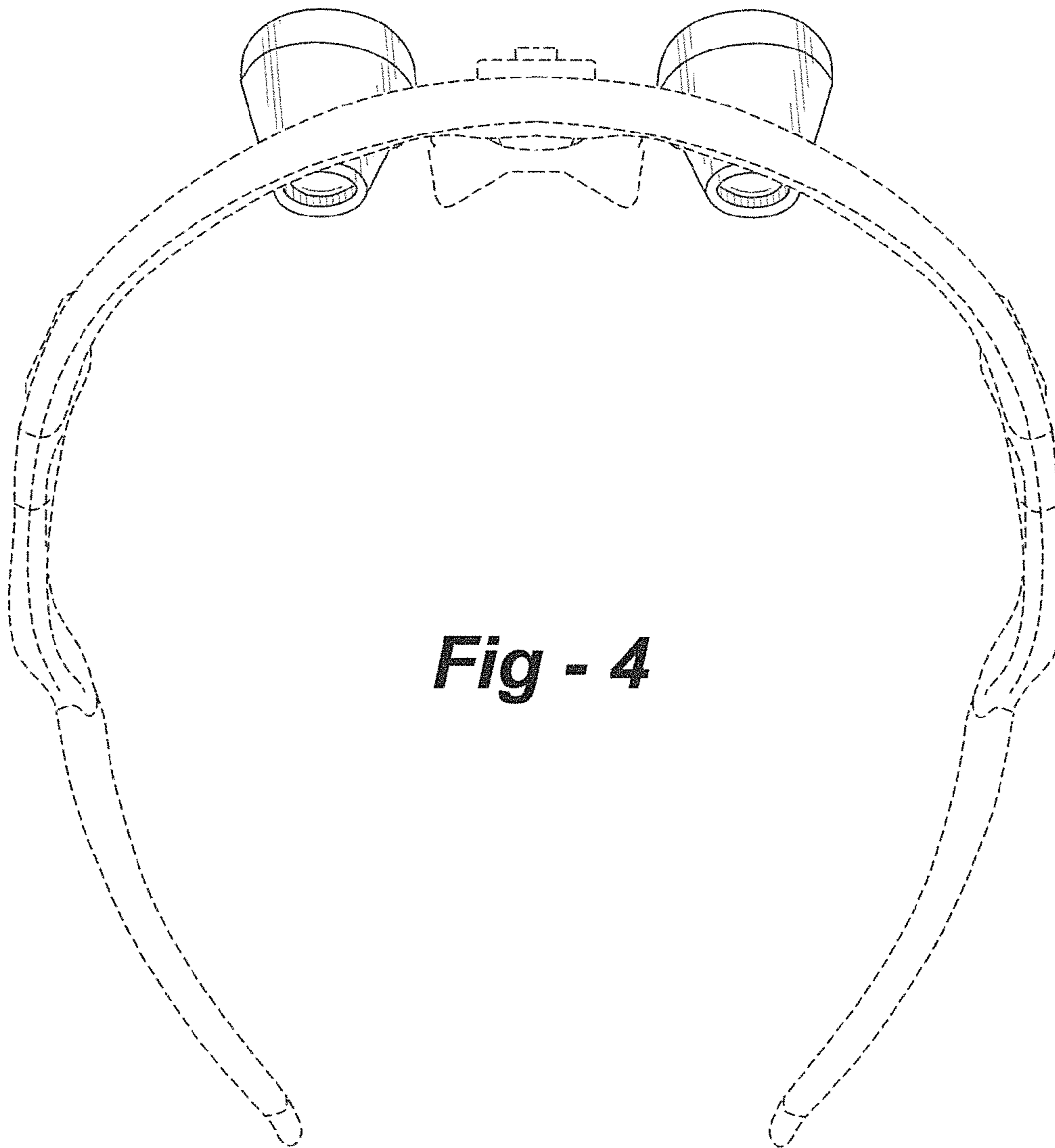


Fig - 4