



US00D746352S

(12) **United States Design Patent**
Ryterski et al.

(10) **Patent No.:** **US D746,352 S**

(45) **Date of Patent:** **** Dec. 29, 2015**

(54) **CAMERA SHROUD**
(71) Applicant: **Intellijoint Surgical Inc.**, Waterloo (CA)
(72) Inventors: **Eric Ryterski**, Louisville, CO (US);
Andre Novomir Hladio, Ottawa (CA);
Richard Tyler Fanson, Kitchener (CA);
Armen Garo Bakirtzian, Kitchener
(CA)

D505,147 S *	5/2005	Koren	D16/136
D552,148 S *	10/2007	Yamakawa	D16/203
D560,247 S *	1/2008	Alm	D16/203
D630,732 S *	1/2011	Lev	D24/129
D637,713 S *	5/2011	Nord	D24/129
D655,017 S *	2/2012	Mosler	D24/129
D681,230 S *	4/2013	Mosler	D24/129
D719,208 S *	12/2014	Mohan	D16/203
D720,792 S *	1/2015	So	D16/219
D730,420 S *	5/2015	Janssen	D16/200
2008/0186584 A1 *	8/2008	Ballard	G02B 23/16 359/611

(73) Assignee: **INTELLIJOINT SURGICAL INC.**,
Waterloo (CA)

* cited by examiner

(**) Term: **14 Years**

Primary Examiner — Adir Aronovich

Assistant Examiner — Ramzi Almatrahi

(21) Appl. No.: **29/512,022**

(74) *Attorney, Agent, or Firm* — **Gowling LaFleur
Henderson LLP**

(22) Filed: **Dec. 16, 2014**

(51) **LOC (10) Cl.** **16-05**

(52) **U.S. Cl.**
USPC **D16/219**

(58) **Field of Classification Search**
USPC D16/134, 136, 200, 202–208, 218, 219,
D16/237, 242; D24/127, 129, 137, 231;
348/143, 148, 151, 373–376; 359/601,
359/611; 396/419, 427, 439, 535, 539–541;
600/109, 167
CPC G03B 17/02; G03B 19/04; G03B 17/56;
G03B 17/04; G03B 15/03; H04N 5/2251;
H04N 5/2252; H04N 5/2253; H04N 5/2254;
H04N 7/181; H04N 7/183; H04N 7/18
See application file for complete search history.

(57) **CLAIM**

The ornamental design for a camera shroud, as shown and described.

DESCRIPTION

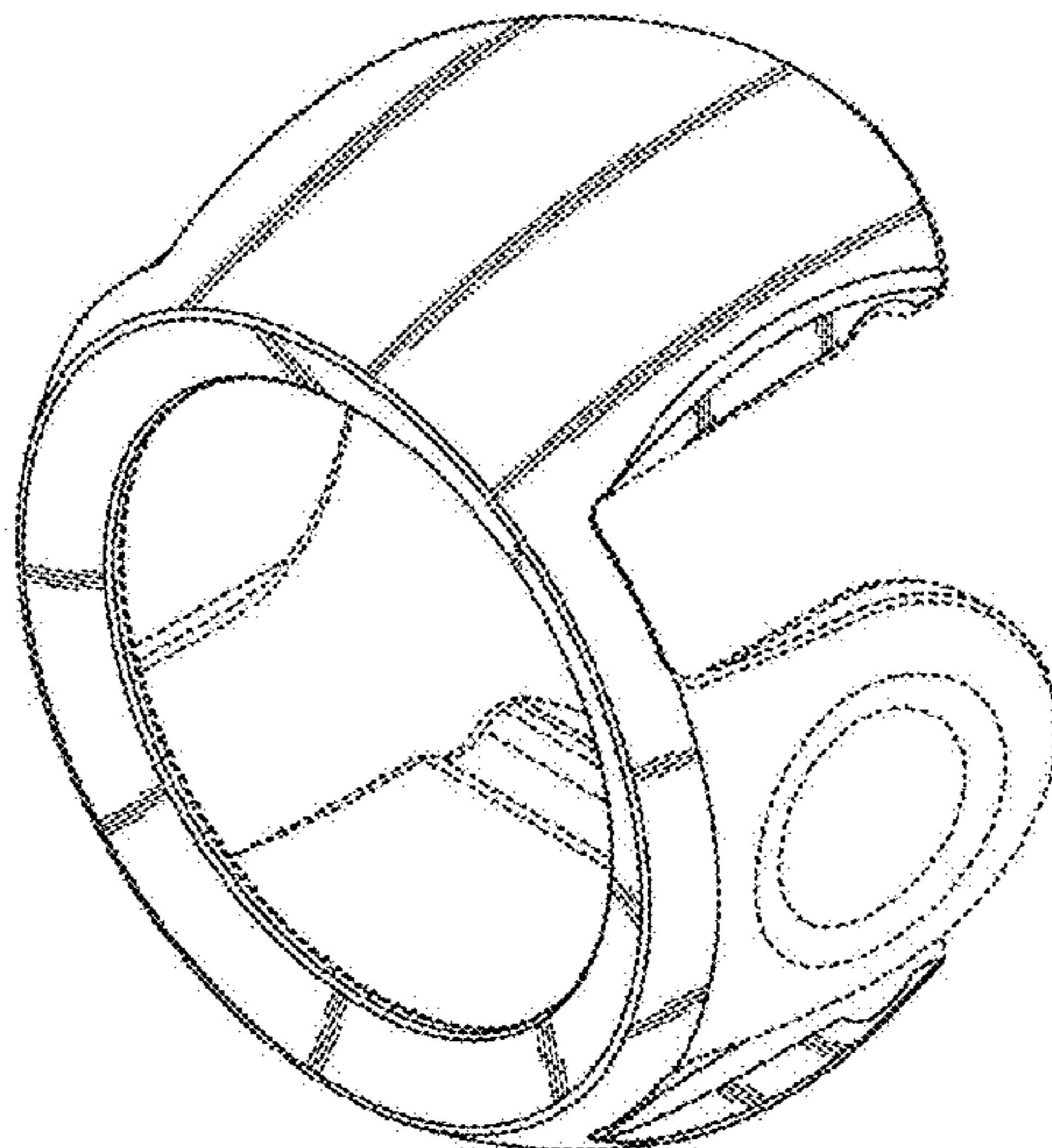
FIG. 1 is a front isometric view of a camera shroud showing our new design;
FIG. 2 is a front elevation view thereof;
FIG. 3 is a top plan view thereof;
FIG. 4 is a rear elevation view thereof;
FIG. 5 is a left side elevation view thereof;
FIG. 6 is a bottom plan view thereof; and,
FIG. 7 is a right side elevation view thereof.
The broken lines depict portions of a camera shroud in which the design is embodied and form no part of the claimed design.

(56) **References Cited**

U.S. PATENT DOCUMENTS

D319,246 S *	8/1991	Shinano	D16/134
6,026,244 A *	2/2000	Tanaka	G02B 7/08 359/699

1 Claim, 7 Drawing Sheets



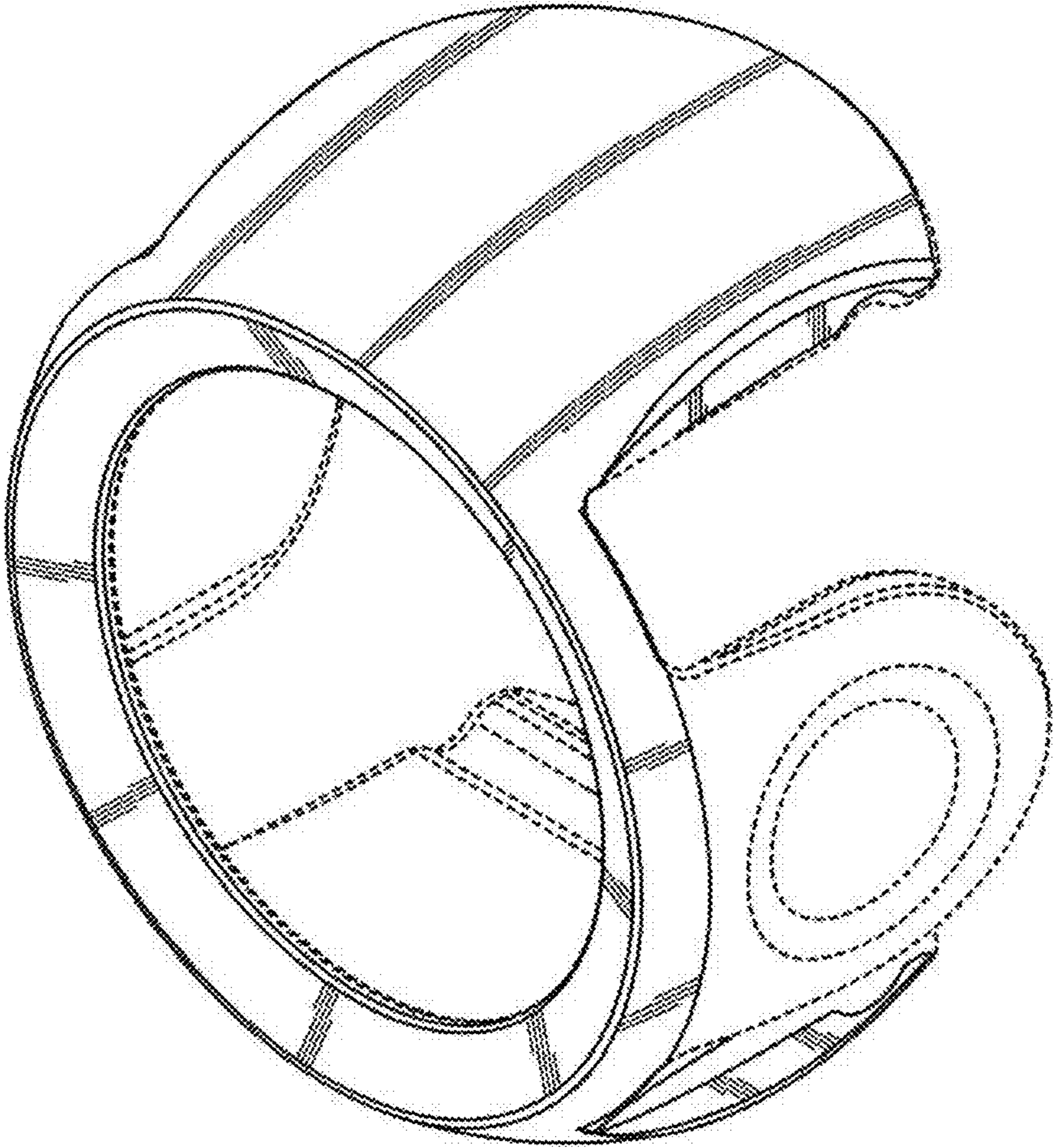


FIG. 1

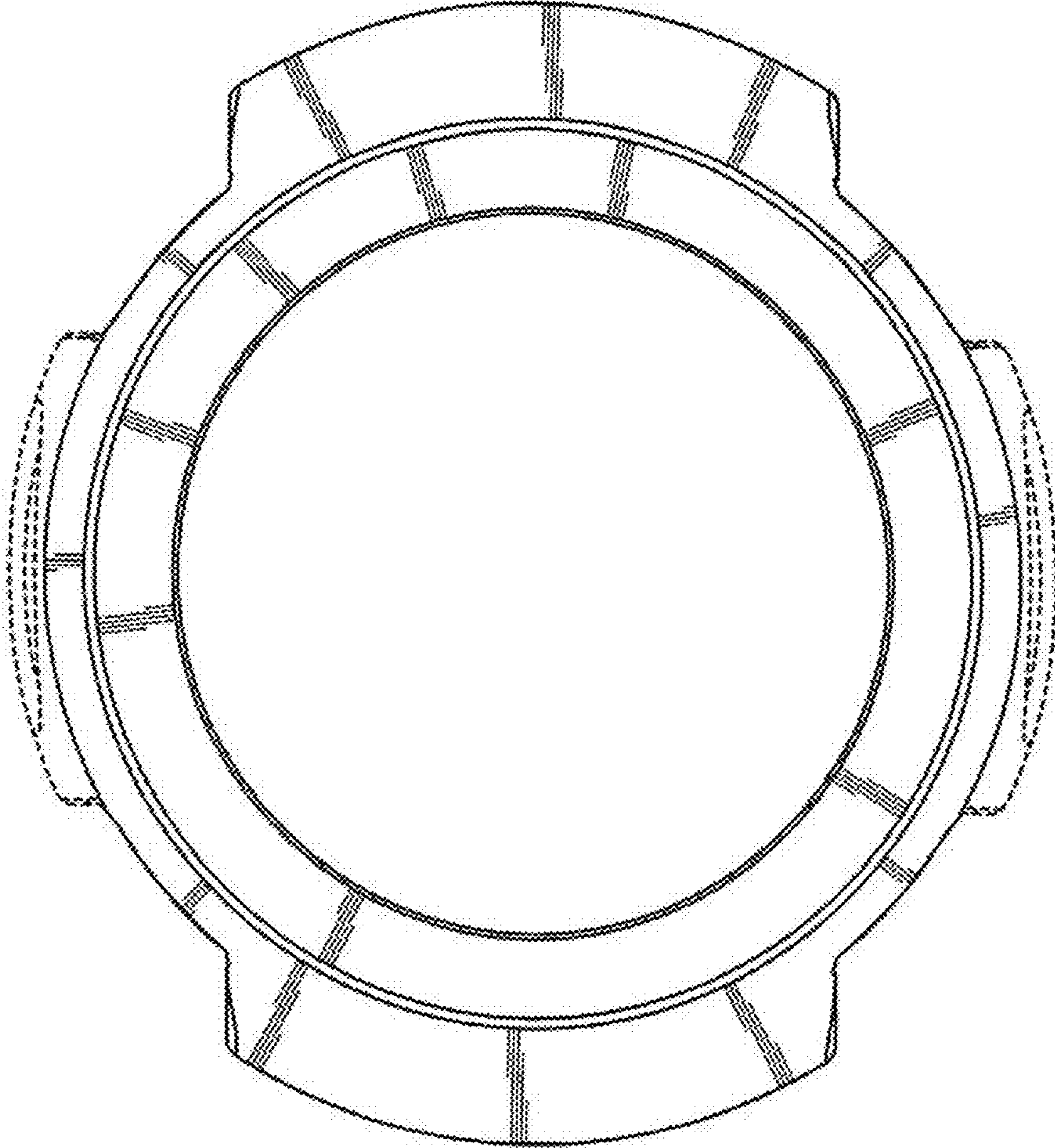


FIG. 2

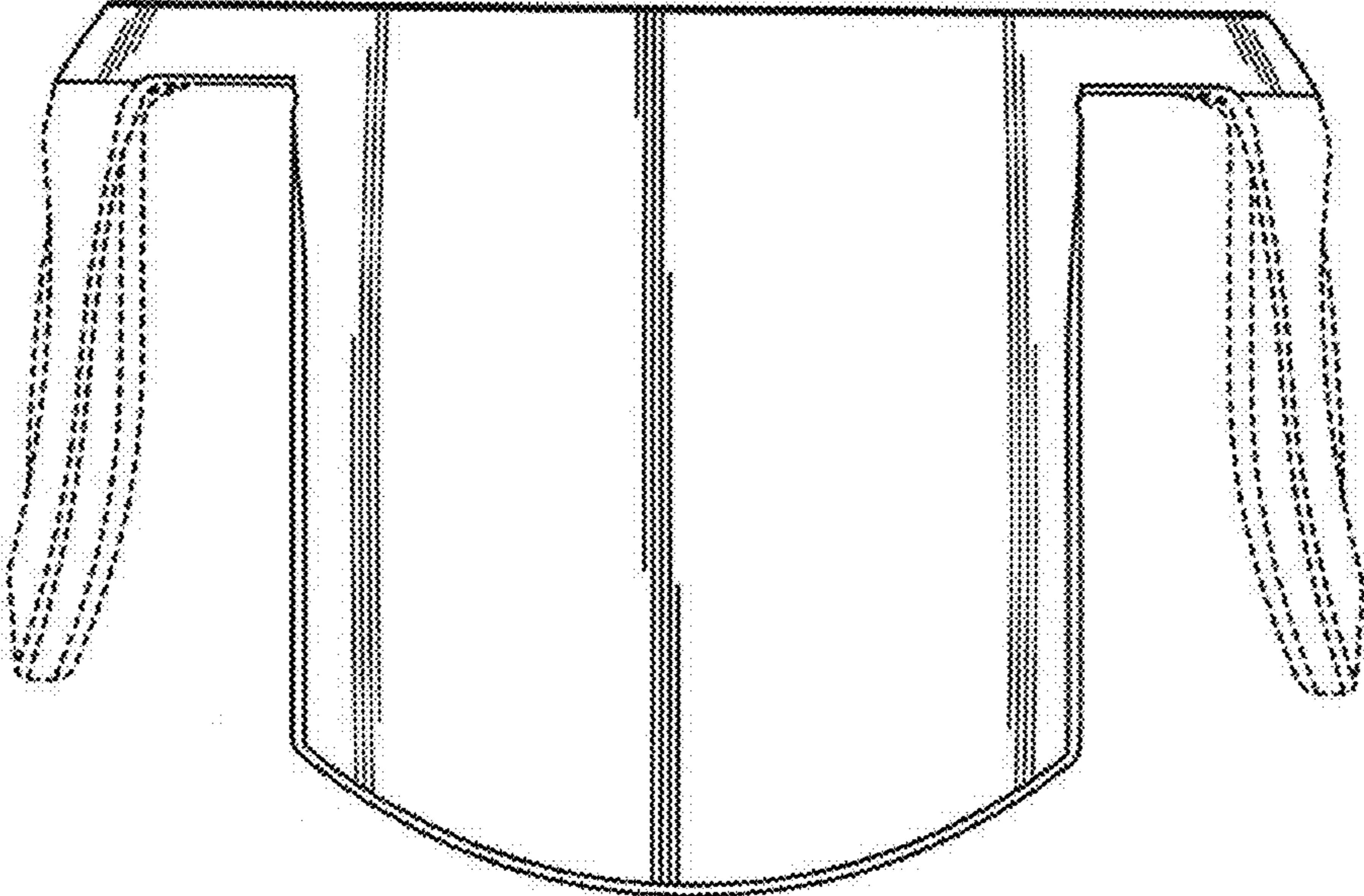


FIG. 3

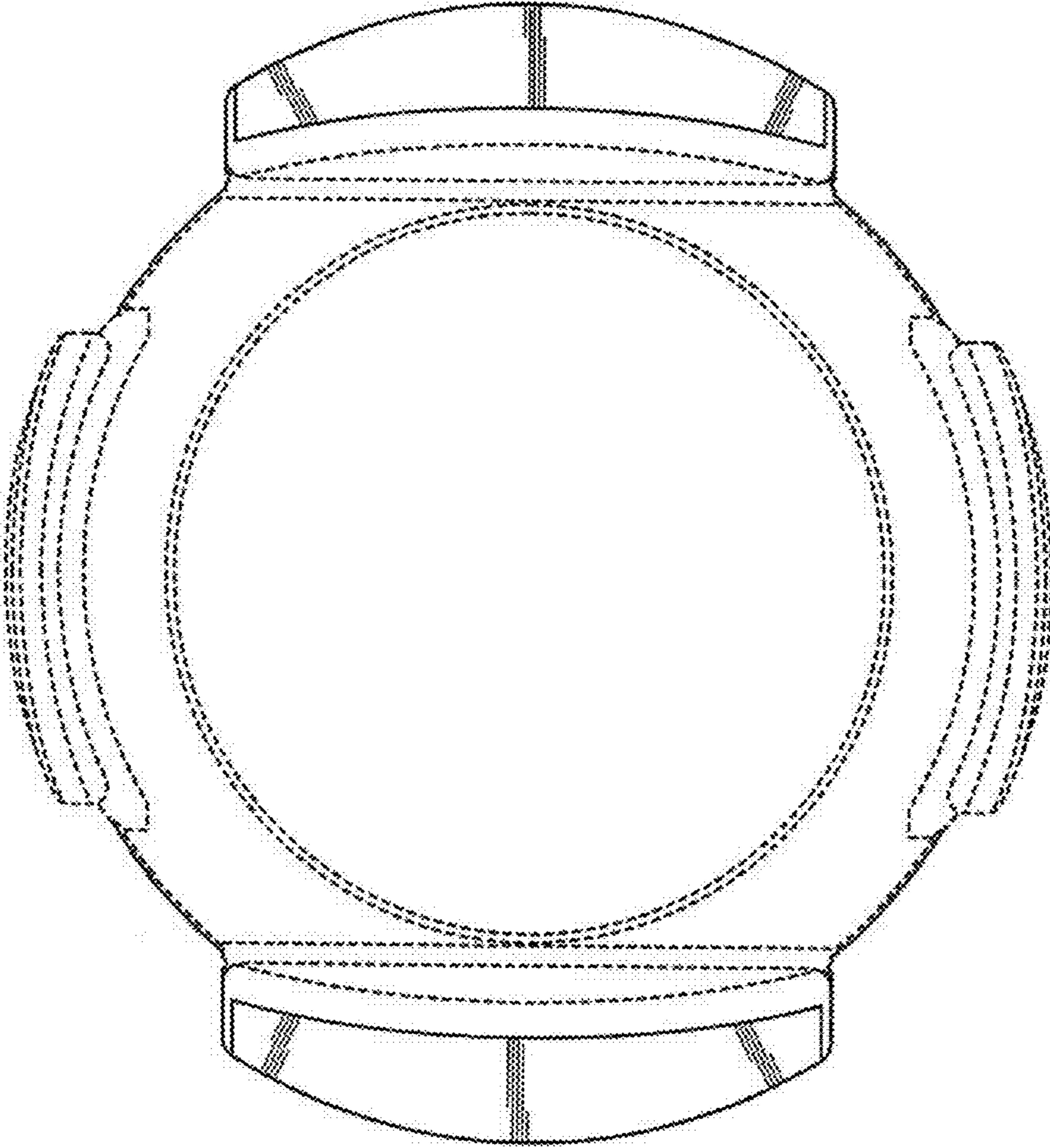


FIG. 4

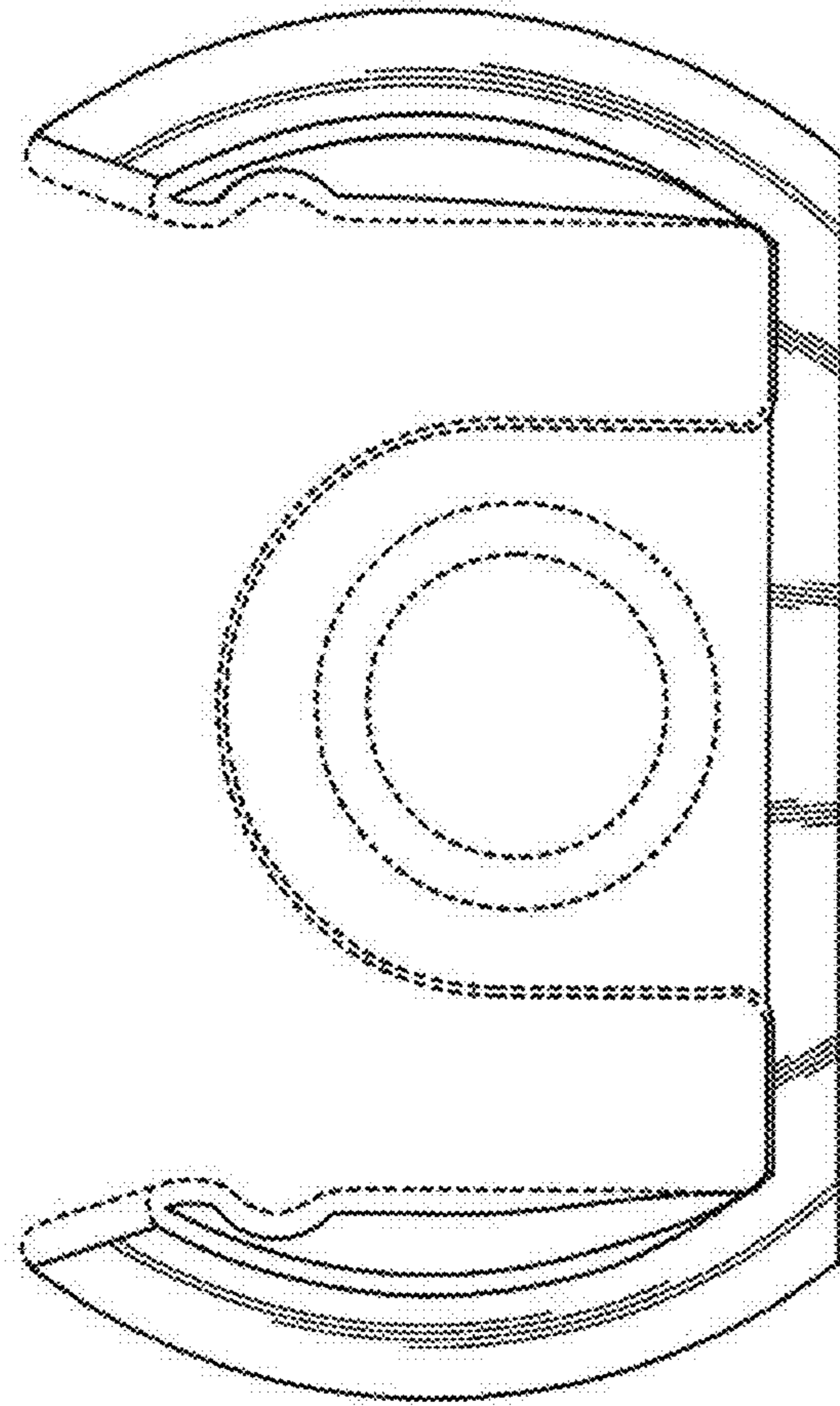


FIG. 5

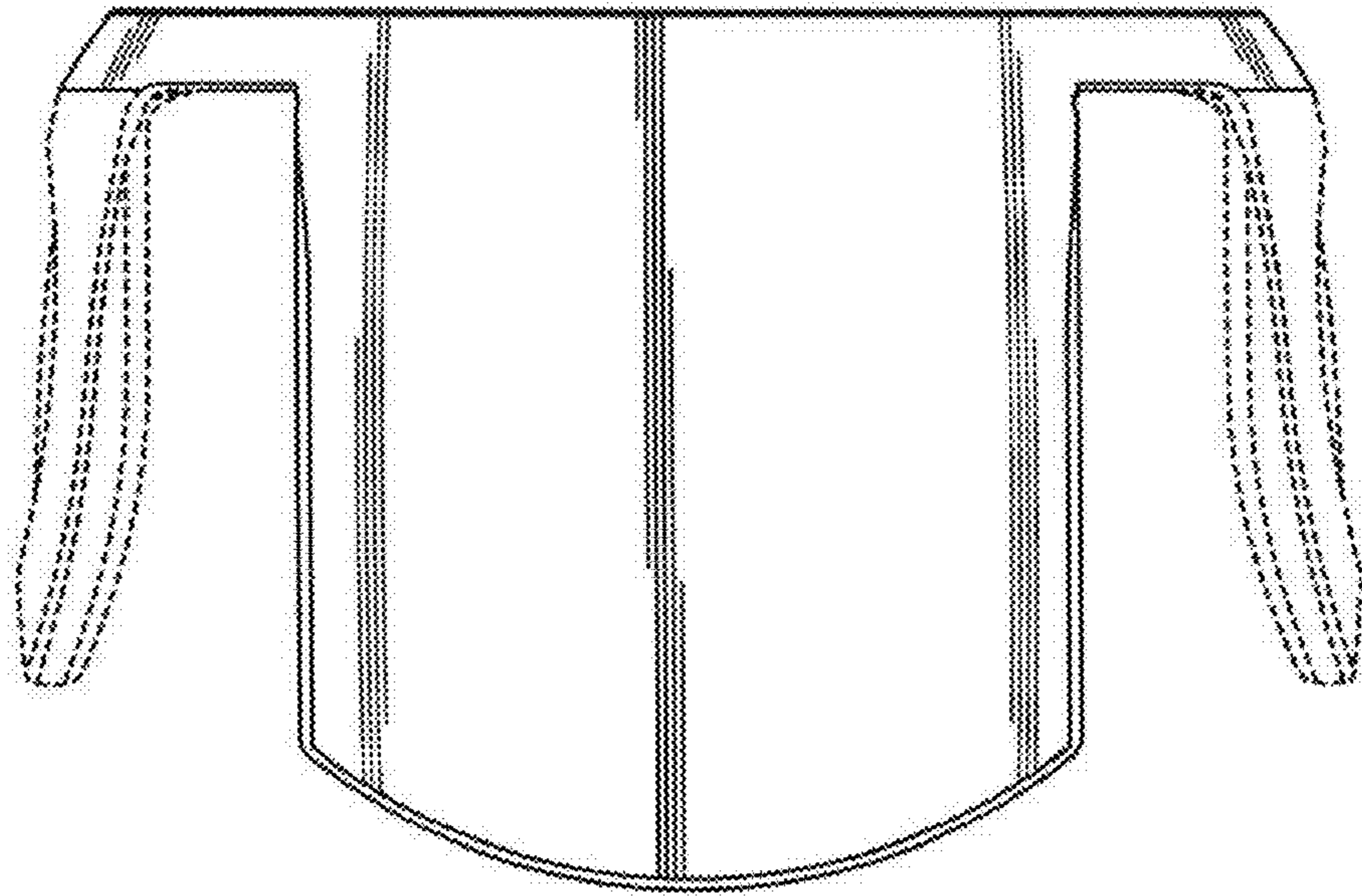


FIG. 6

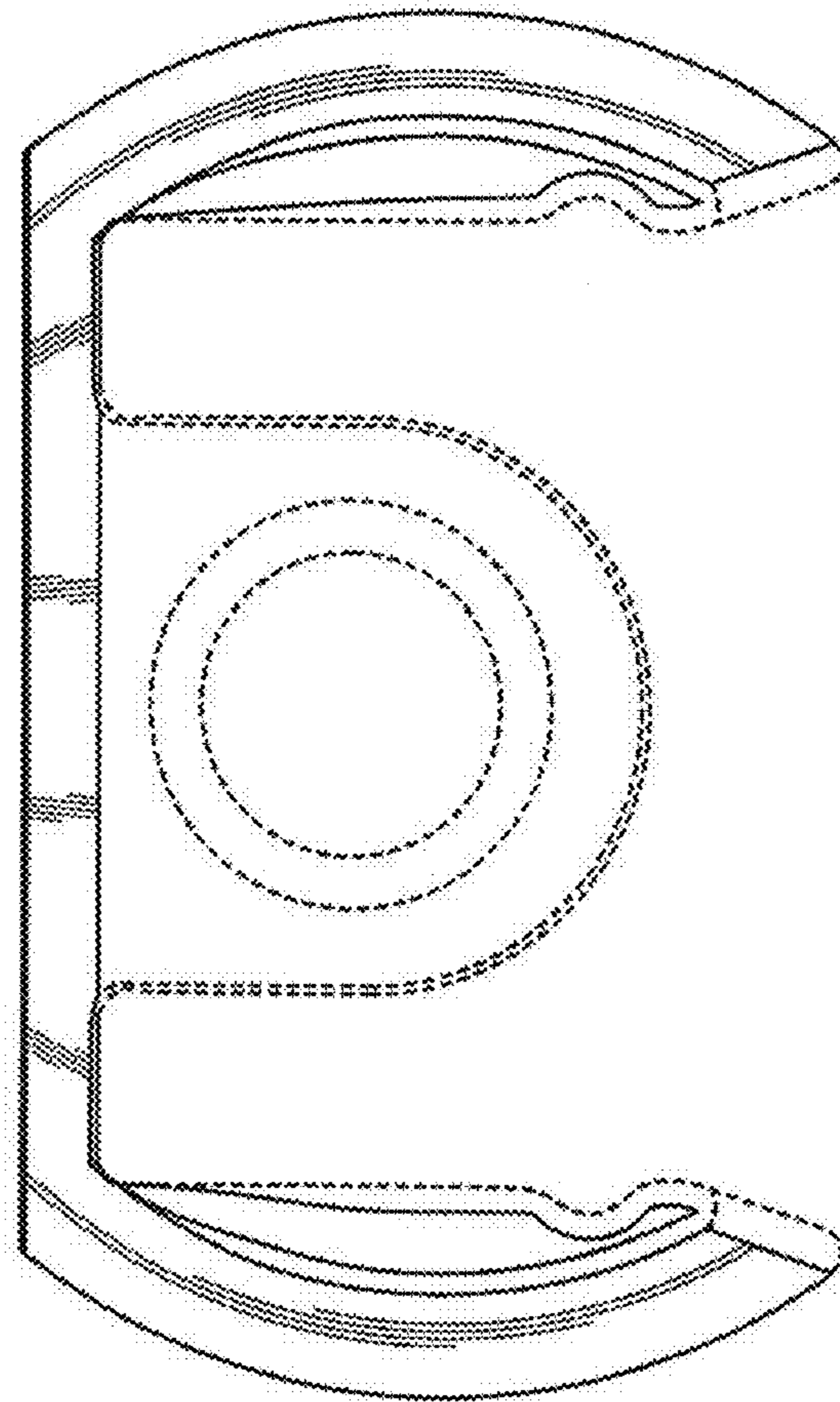


FIG. 7