



US00D746351S

(12) **United States Design Patent**
Sogabe

(10) **Patent No.:** **US D746,351 S**
(45) **Date of Patent:** **** Dec. 29, 2015**

(54) **CAMERA**
(71) Applicant: **Sony Corporation**, Tokyo (JP)
(72) Inventor: **Takashi Sogabe**, Tokyo (JP)
(73) Assignee: **Sony Corporation**, Tokyo (JP)
(**) Term: **14 Years**
(21) Appl. No.: **29/485,011**
(22) Filed: **Mar. 14, 2014**

D528,580 S 9/2006 Sumita
D532,031 S 11/2006 Hayashi
D558,812 S * 1/2008 Takahashi D16/217
D564,561 S * 3/2008 Takahashi D16/217
D567,835 S 4/2008 Sumita
D591,782 S 5/2009 Hayashi
D612,885 S 3/2010 Hayashi
D672,802 S * 12/2012 Nojima et al. D16/219
8,326,138 B2 * 12/2012 Yoshii et al. 396/177
D681,090 S * 4/2013 Tainaka D16/200
D701,550 S * 3/2014 Umehara D16/202
D720,787 S * 1/2015 Tainaka D16/202

* cited by examiner

(30) **Foreign Application Priority Data**
Sep. 25, 2013 (JP) D2013-022200
(51) **LOC (10) Cl.** **16-01**
(52) **U.S. Cl.**
USPC **D16/217; D16/202**
(58) **Field of Classification Search**
USPC D16/200, 202, 204, 206, 217, 218;
348/373, 374, 376; 396/176, 177,
396/535-541
See application file for complete search history.

Primary Examiner — Adir Aronovich
(74) *Attorney, Agent, or Firm* — Michael Best & Friedrich LLP

(57) **CLAIM**
The ornamental design for a camera, as shown.

(56) **References Cited**
U.S. PATENT DOCUMENTS
D272,829 S 2/1984 Kato
D304,729 S 11/1989 Sugiyama et al.
D306,742 S 3/1990 Goto
5,708,896 A * 1/1998 Machida 396/535
D413,346 S * 8/1999 Haga D16/217
D502,483 S * 3/2005 Takahashi D16/217

DESCRIPTION

FIG. 1 is a front, top, right perspective view of a camera showing my new design;
FIG. 2 is a rear perspective view thereof;
FIG. 3 is a front elevational thereof;
FIG. 4 is a rear elevational view thereof;
FIG. 5 is a left side elevational view thereof;
FIG. 6 is a right side elevational view thereof;
FIG. 7 is a top plan view thereof; and,
FIG. 8 is a bottom plan view thereof.
The broken lines illustrate unclaimed portions of the camera and form no part of the claimed invention.

1 Claim, 8 Drawing Sheets

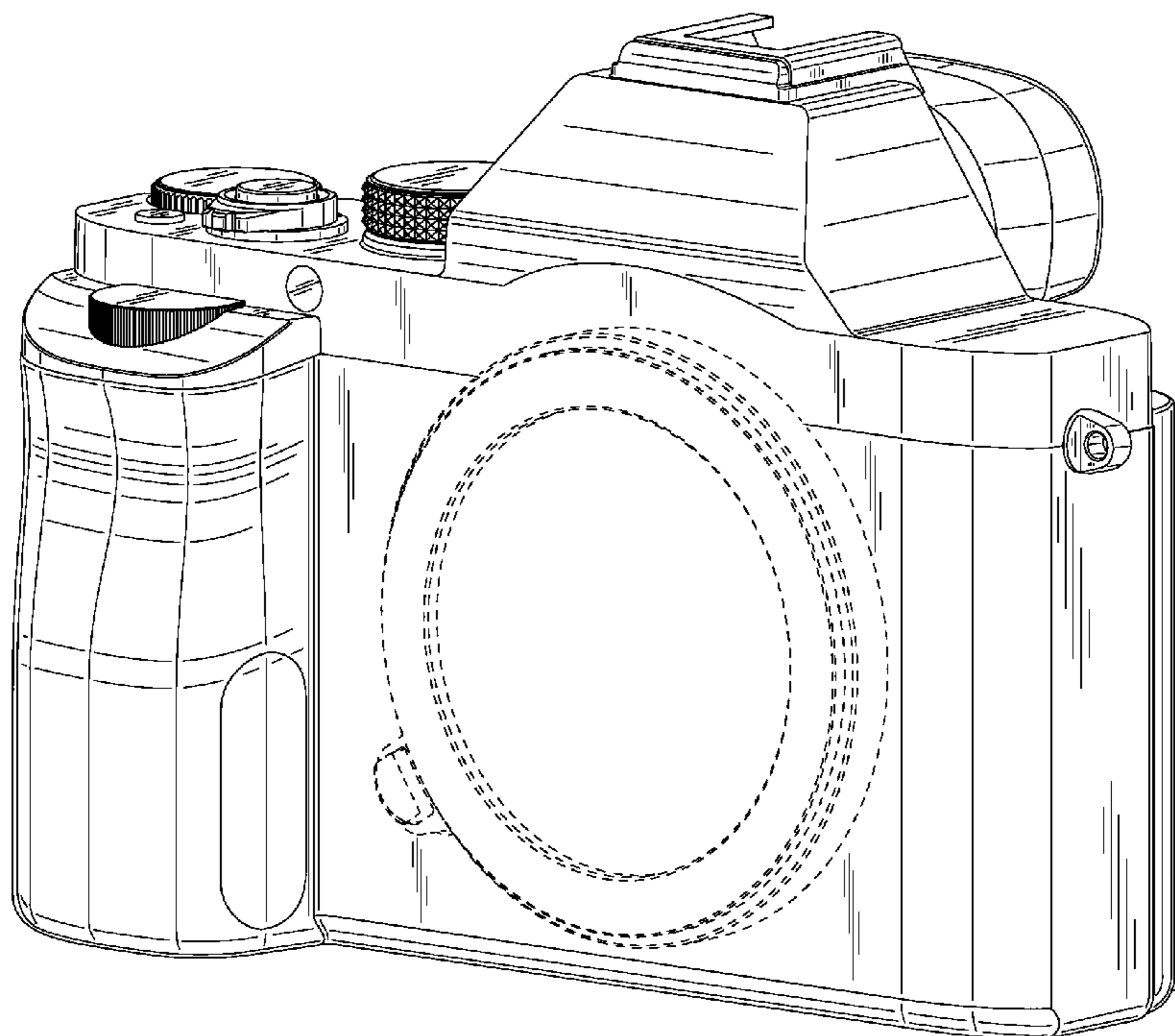


FIG.1

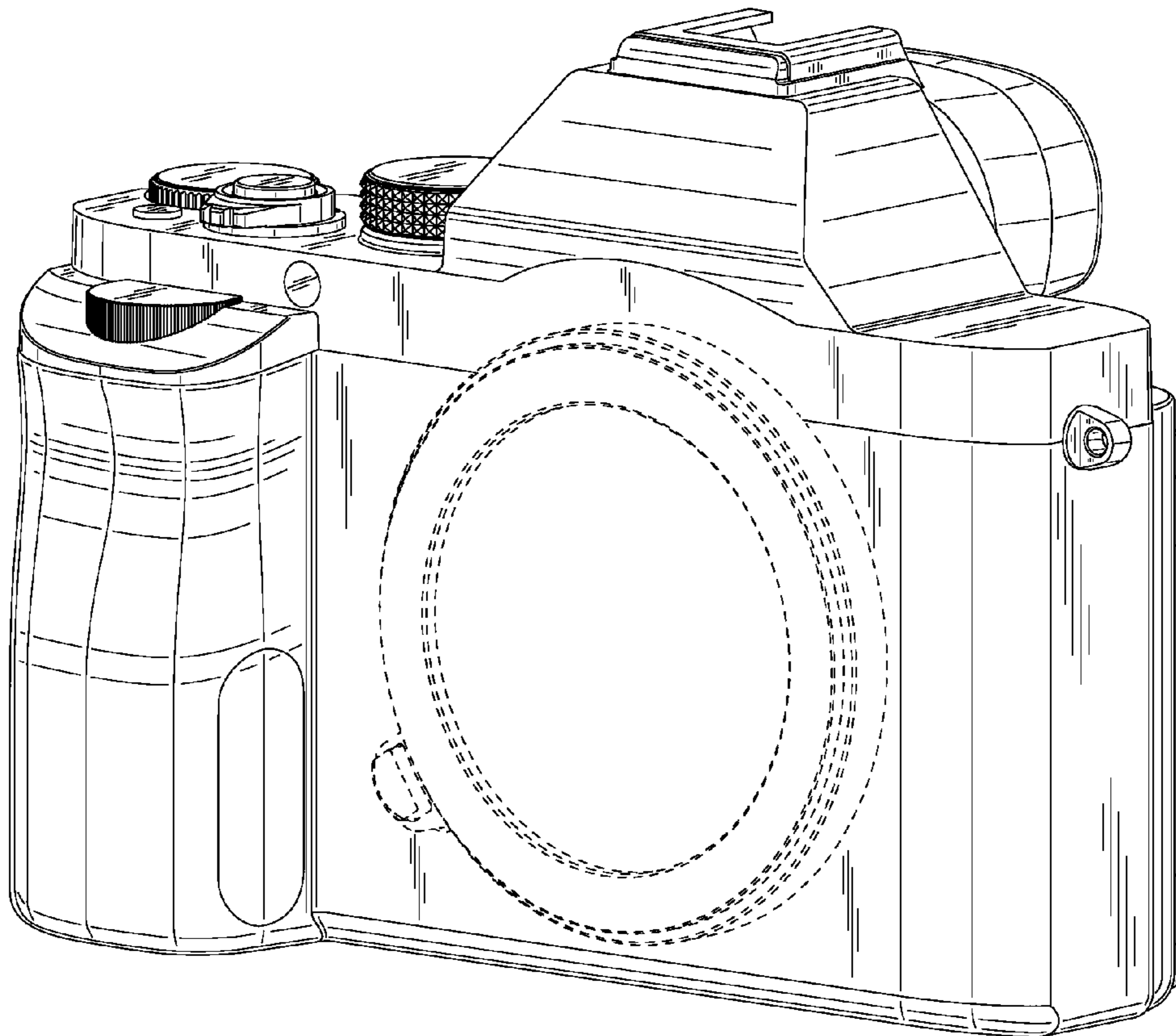


FIG.2

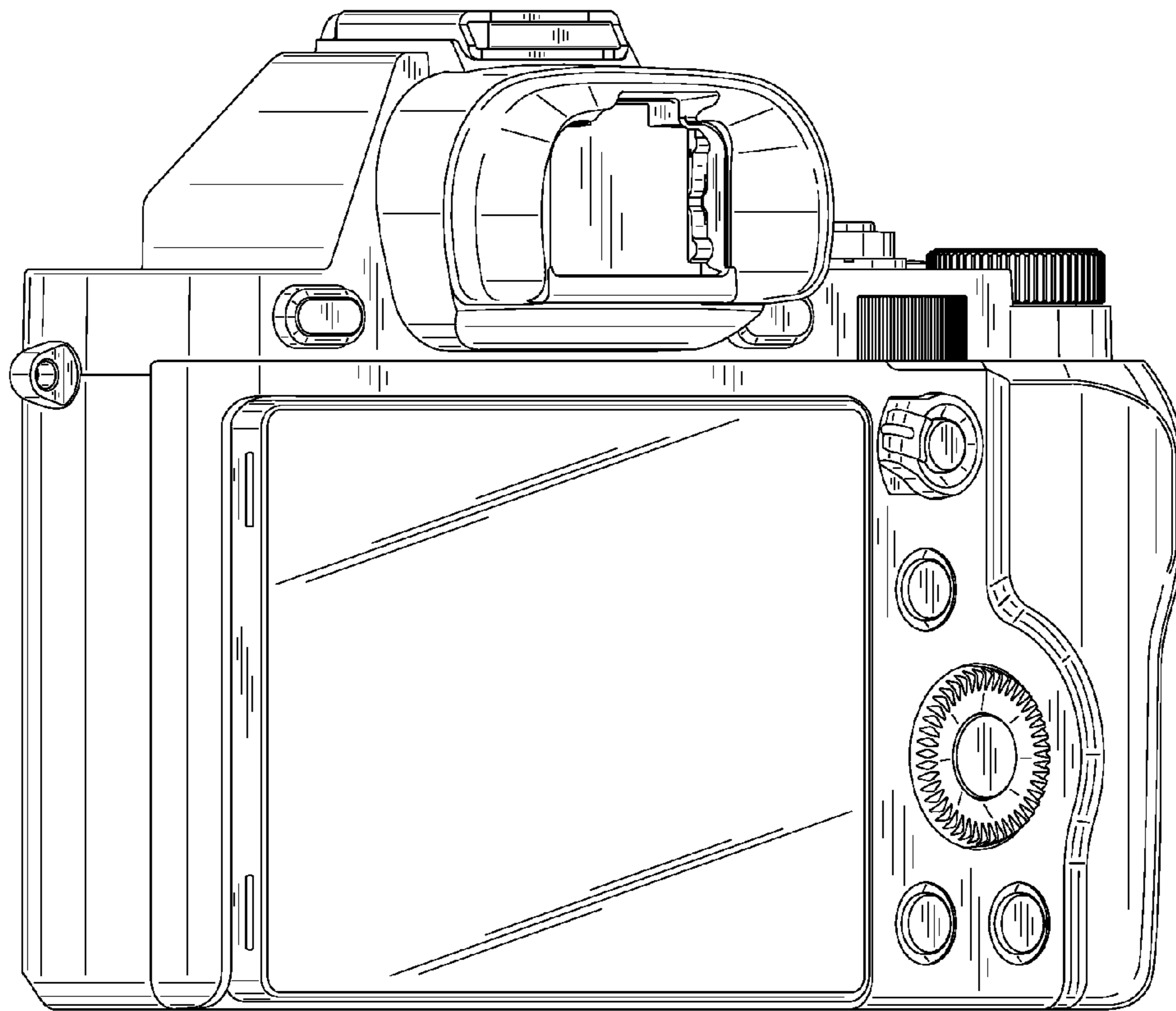


FIG.3

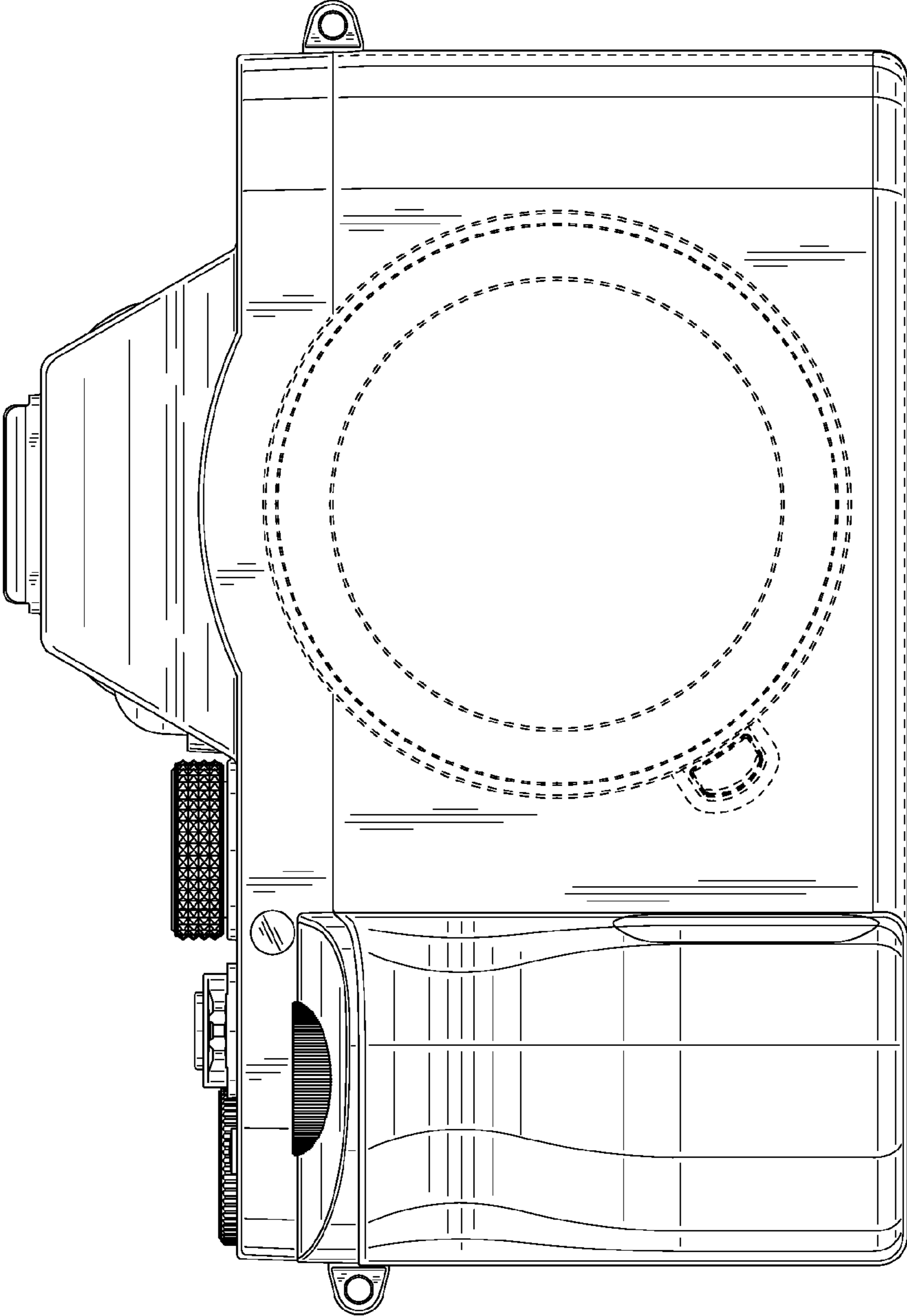


FIG.4

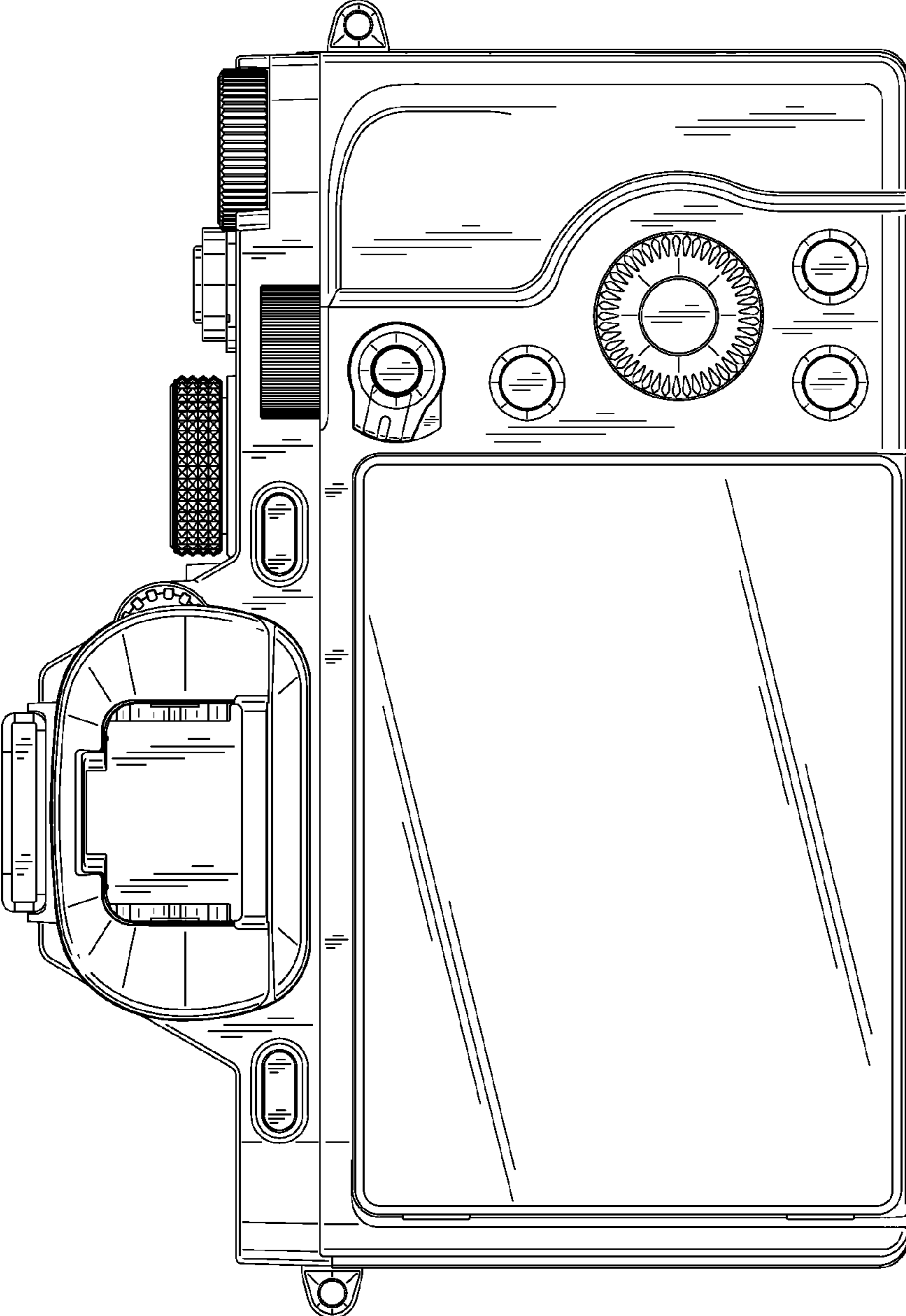


FIG.5

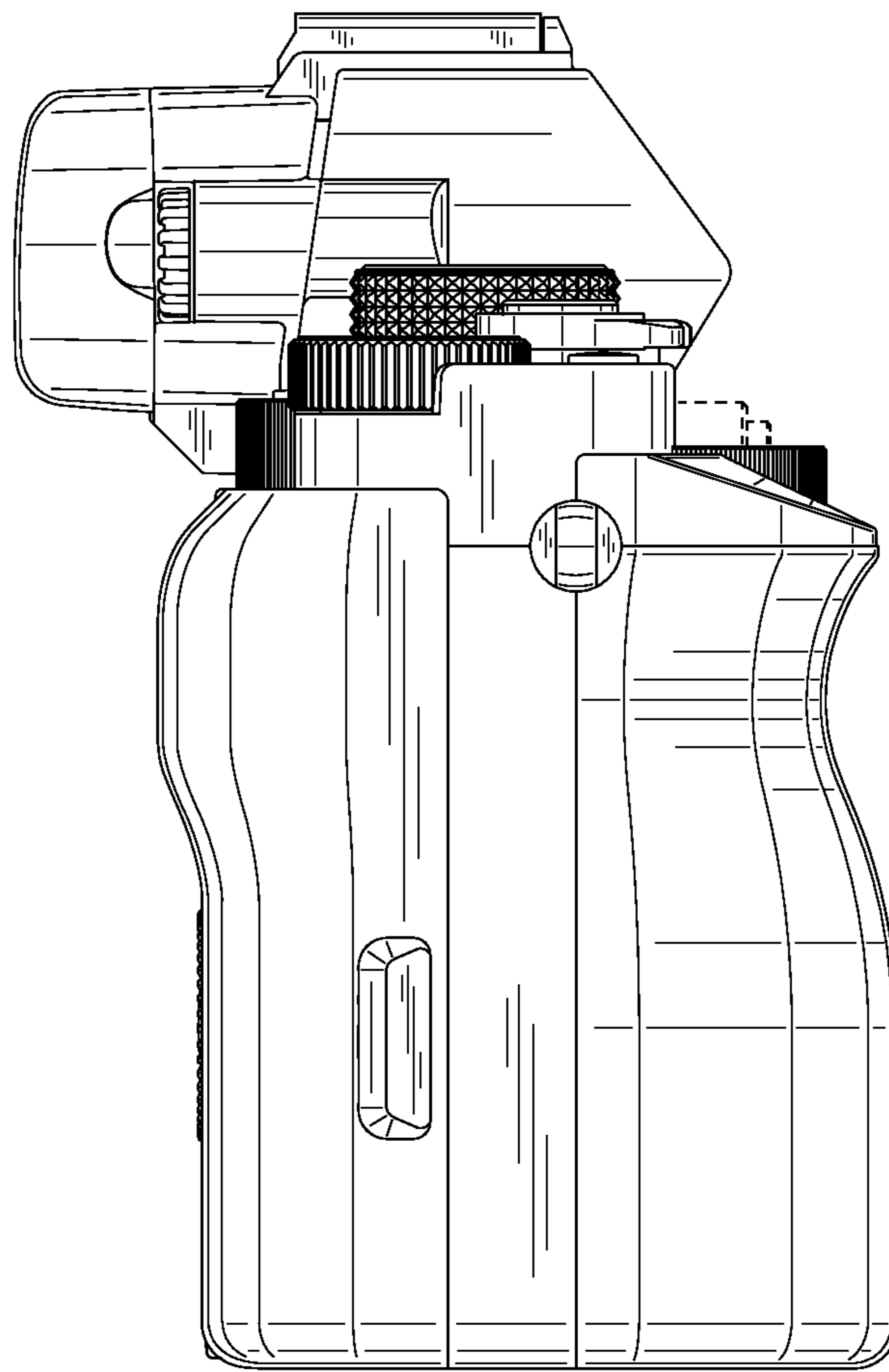


FIG.6

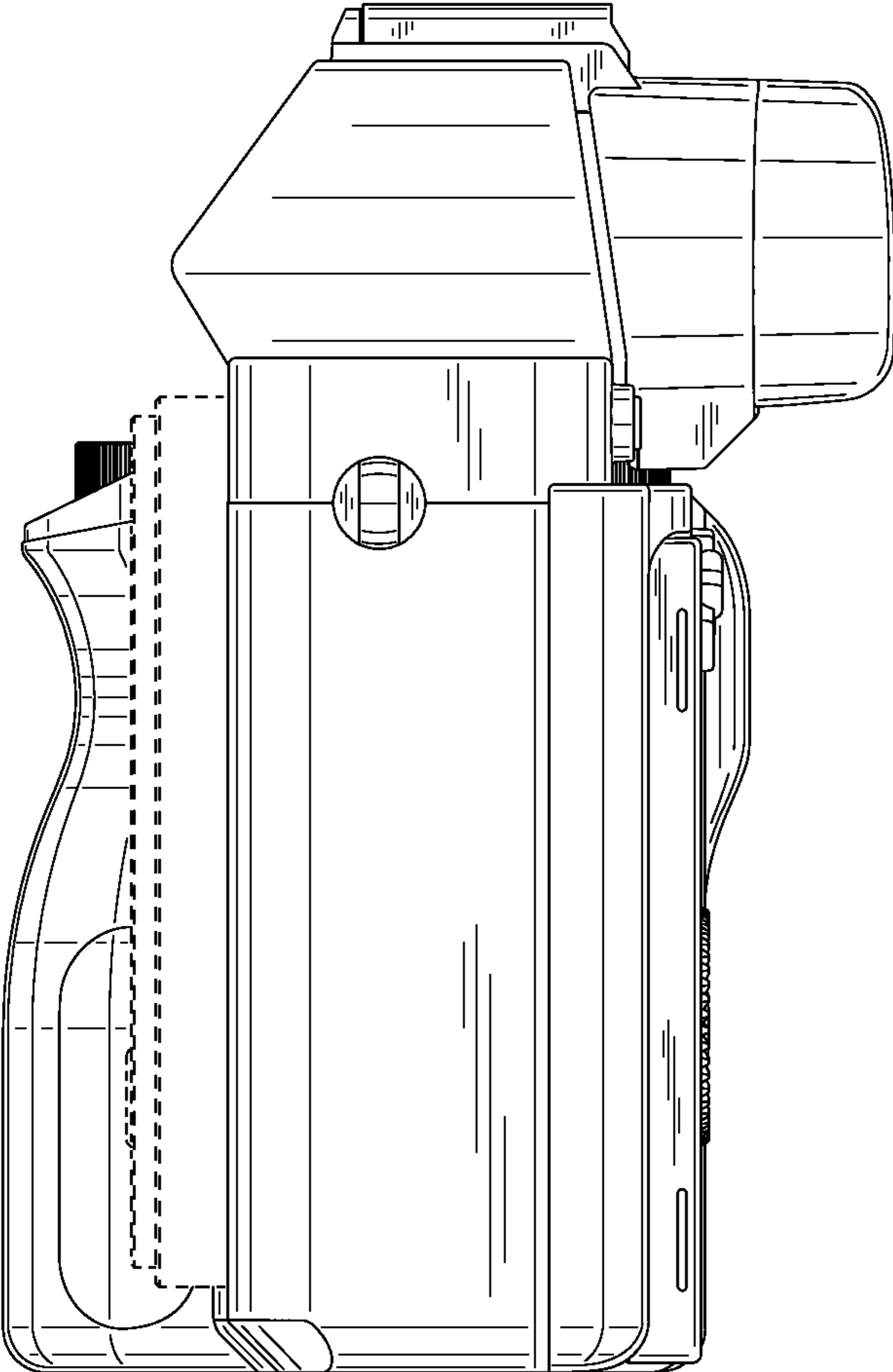


FIG.7

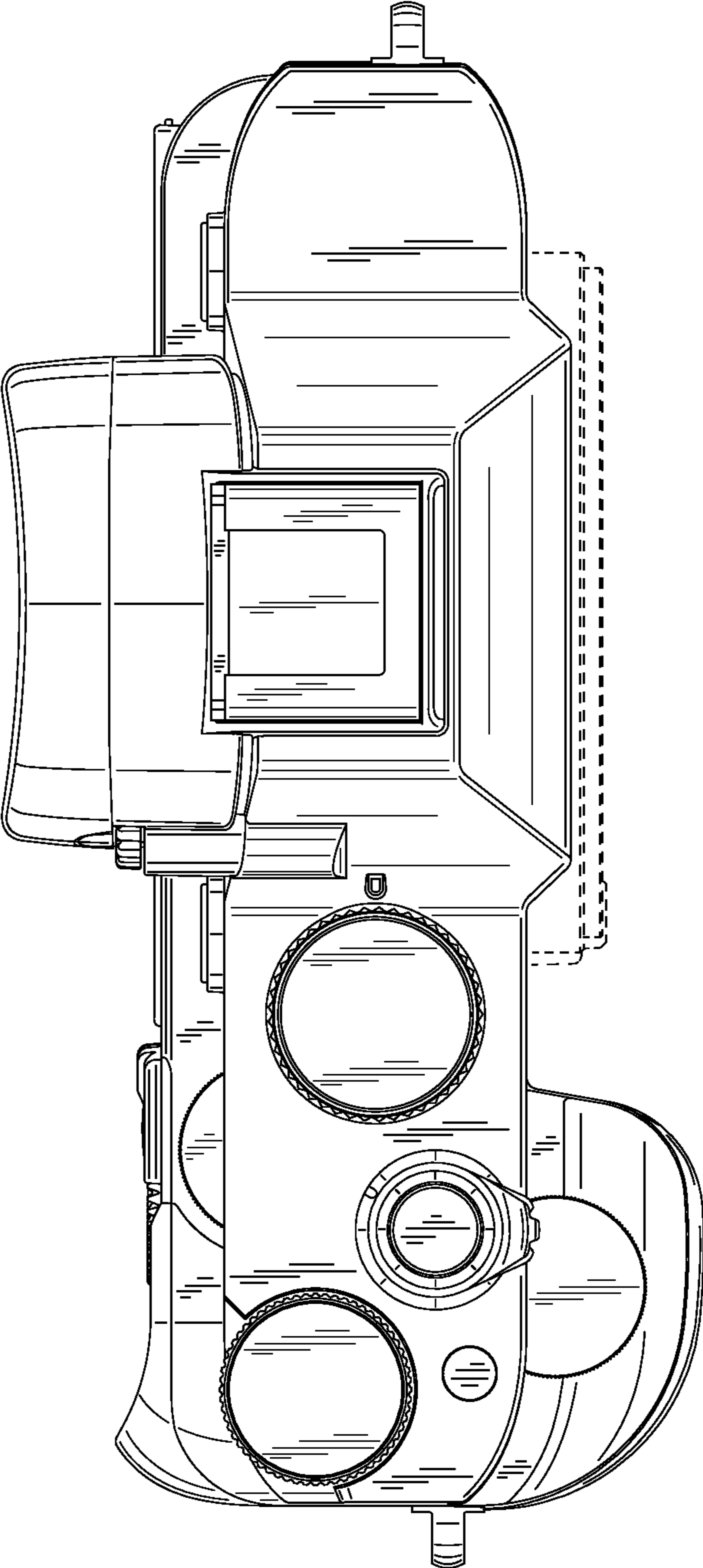


FIG. 8

