



US00D746350S

(12) **United States Design Patent**  
**Li**

(10) **Patent No.:** **US D746,350 S**  
(45) **Date of Patent:** **\*\* Dec. 29, 2015**

(54) **CAMERA**

(71) Applicant: **Chuango Security Technology Corporation, Fuzhou (CN)**

(72) Inventor: **Chen Li, Fuzhou (CN)**

(73) Assignee: **Chuango Security Technology Corporation, Fuzhou (CN)**

(\*\*) Term: **14 Years**

(21) Appl. No.: **29/512,513**

(22) Filed: **Dec. 19, 2014**

(51) **LOC (10) Cl.** ..... **16-01**

(52) **U.S. Cl.**  
USPC ..... **D16/214; D16/203**

(58) **Field of Classification Search**  
USPC ..... D16/200, 201, 202, 203, 208, 214, 218;  
348/143, 373-374; 396/427, 428,  
396/535-541  
CPC . H04N 5/2251; H04N 5/2252; H04N 5/2253;  
H04N 5/2254  
See application file for complete search history.

(56) **References Cited**

**U.S. PATENT DOCUMENTS**

D496,381 S \* 9/2004 McDonald ..... D16/203  
7,113,220 B1 \* 9/2006 Misawa ..... H04N 5/2251  
348/373

D565,081 S \* 3/2008 Ishikawa ..... D16/221  
7,480,005 B2 \* 1/2009 Jeon ..... H04N 5/2252  
348/373  
7,646,425 B2 \* 1/2010 Bohaker ..... H04N 1/00127  
396/428  
D680,143 S \* 4/2013 Henssler ..... D16/214  
D727,388 S \* 4/2015 Huang ..... D16/214  
D728,655 S \* 5/2015 Daniel ..... D16/203  
D732,594 S \* 6/2015 Kawa ..... D16/202

\* cited by examiner

*Primary Examiner* — Adir Aronovich

(74) *Attorney, Agent, or Firm* — Alan D. Kamrath; Kamrath IP Lawfirm, P.A.

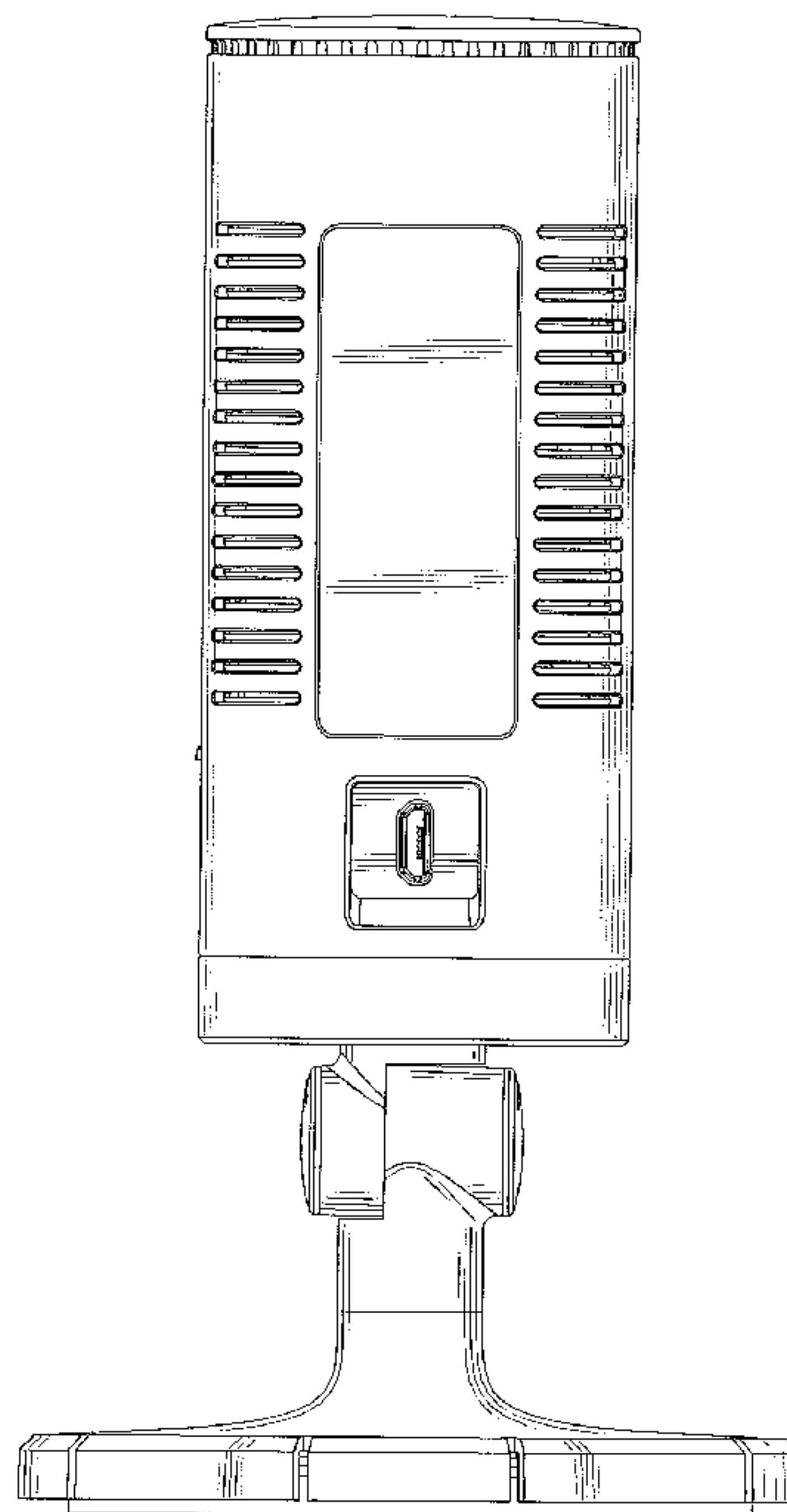
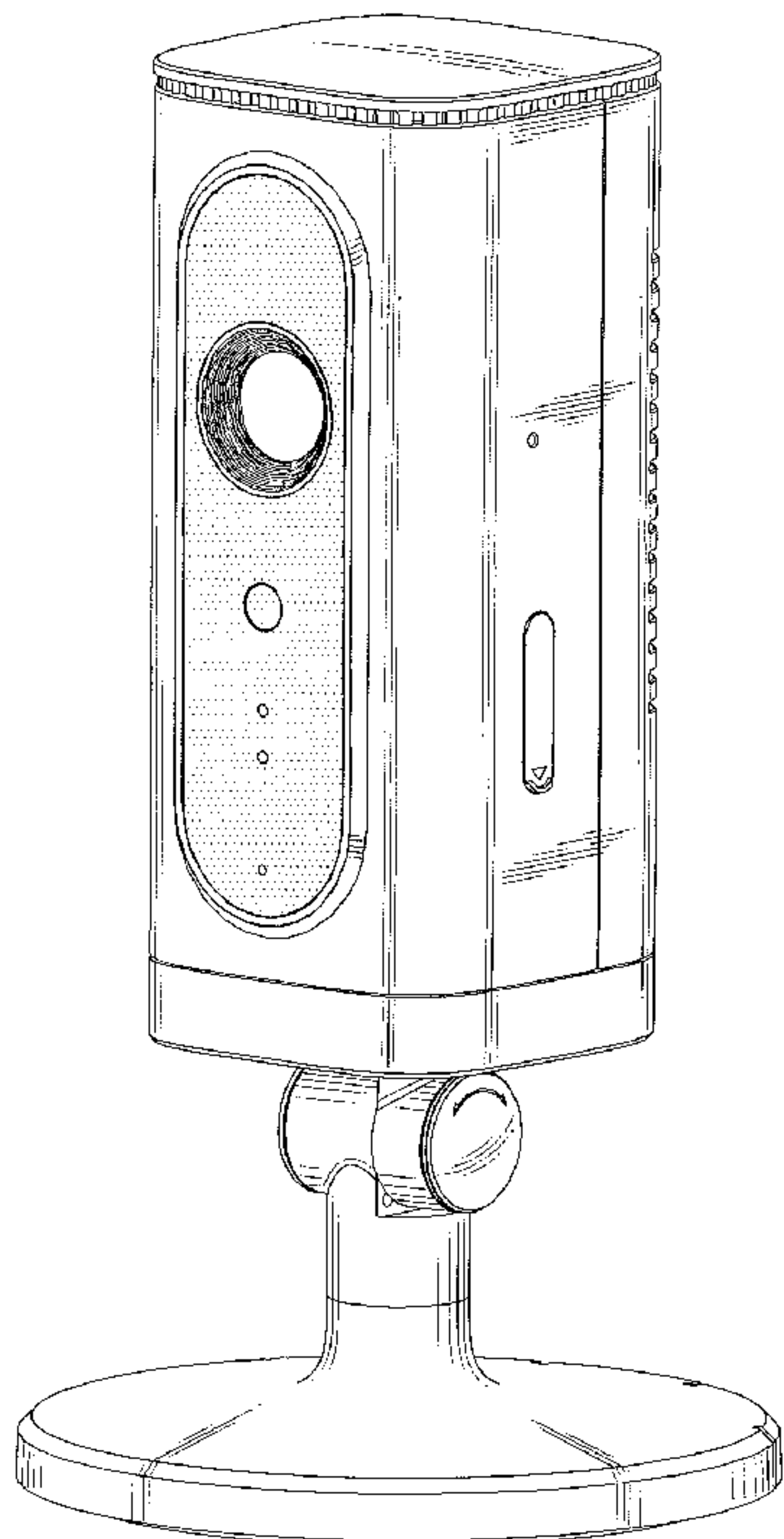
(57) **CLAIM**

The ornamental design for a camera, as shown and described.

**DESCRIPTION**

FIG. 1 is a front and left perspective view of a camera showing my new design;  
FIG. 2 is a front elevational view thereof;  
FIG. 3 is a rear elevational view thereof;  
FIG. 4 is a left side elevational view thereof;  
FIG. 5 is a right side elevational view thereof;  
FIG. 6 is a top plan view thereof; and,  
FIG. 7 is a bottom plan view thereof.

**1 Claim, 6 Drawing Sheets**



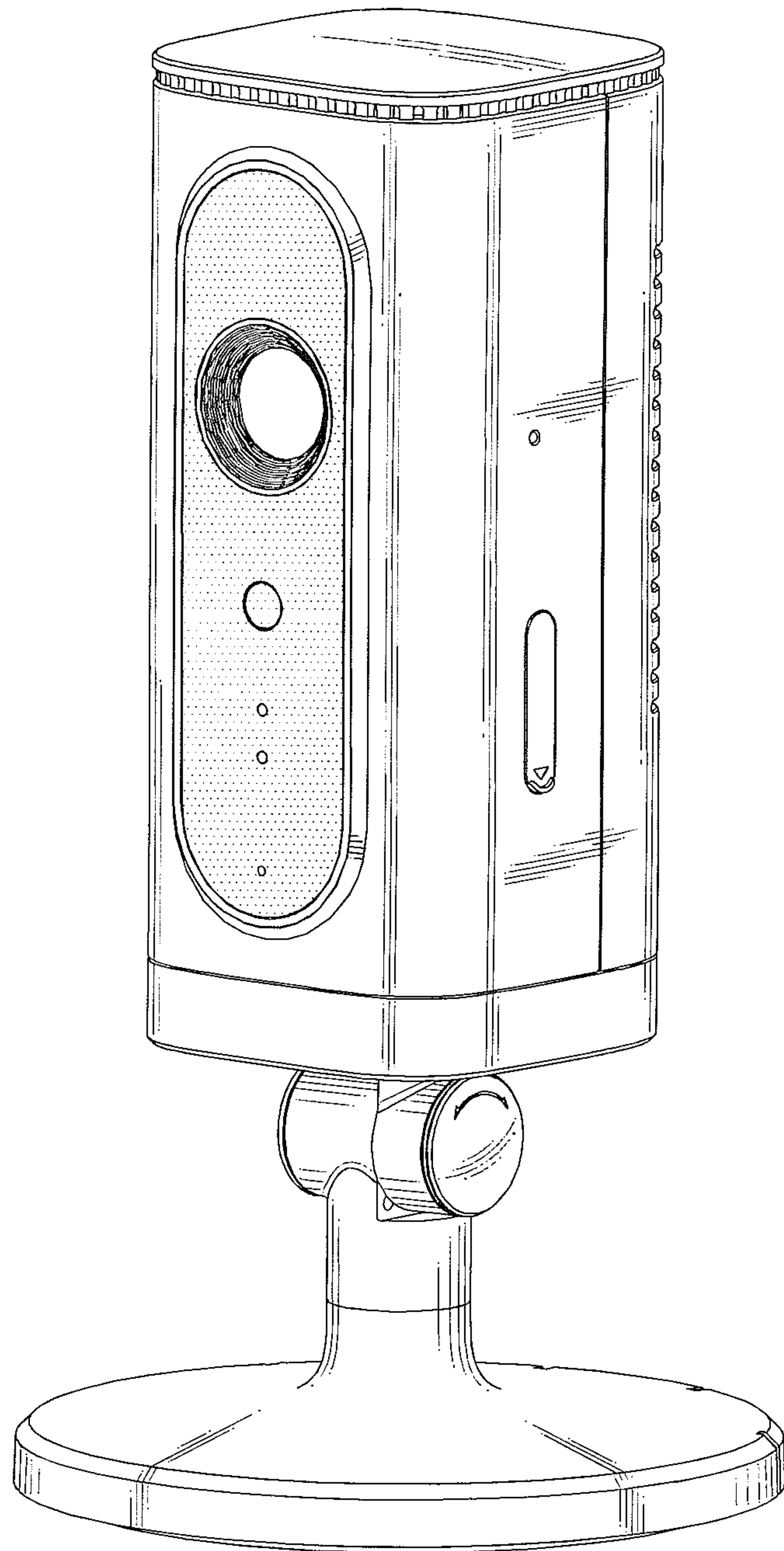


FIG. · 1

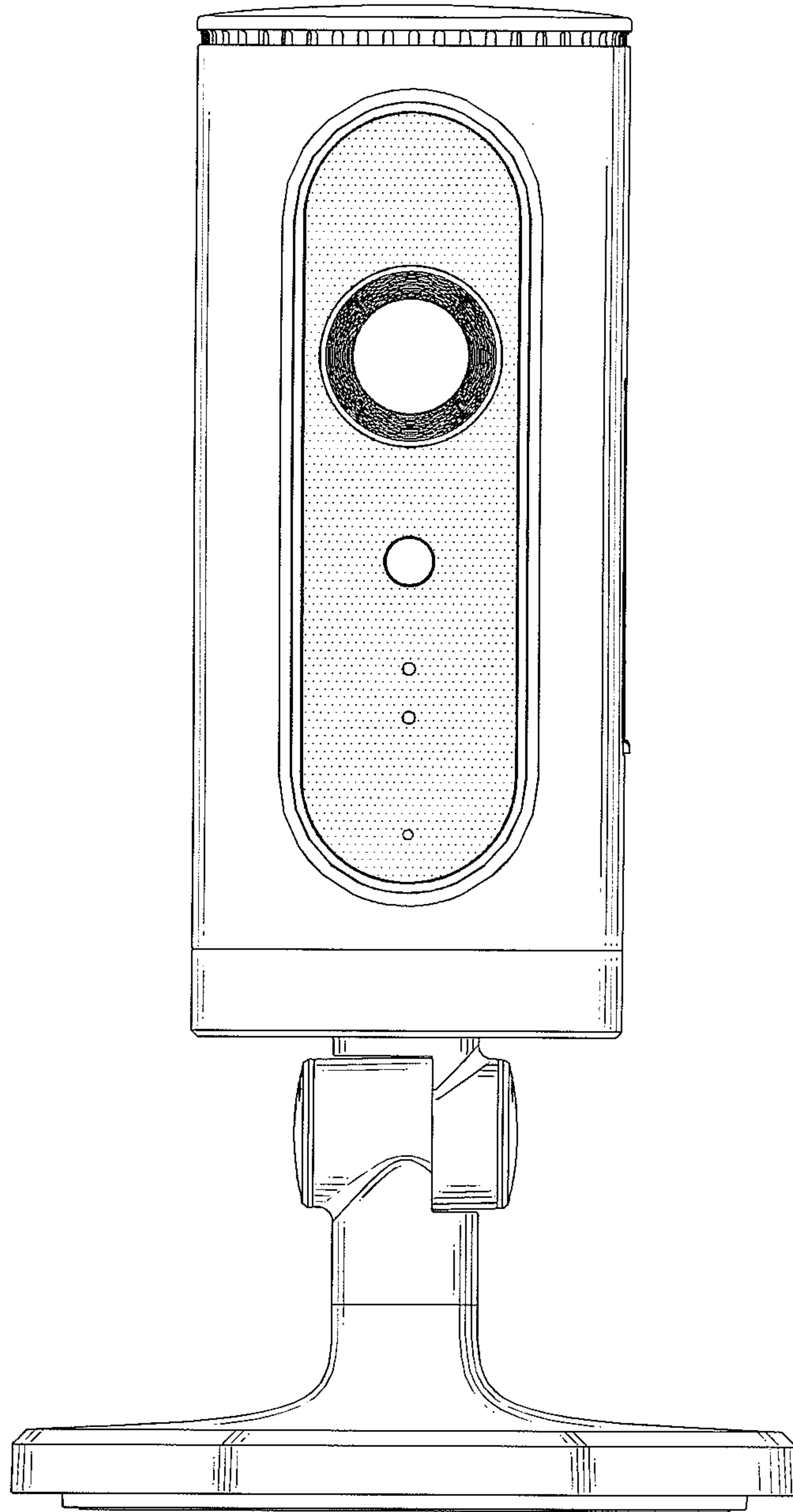


FIG. 2

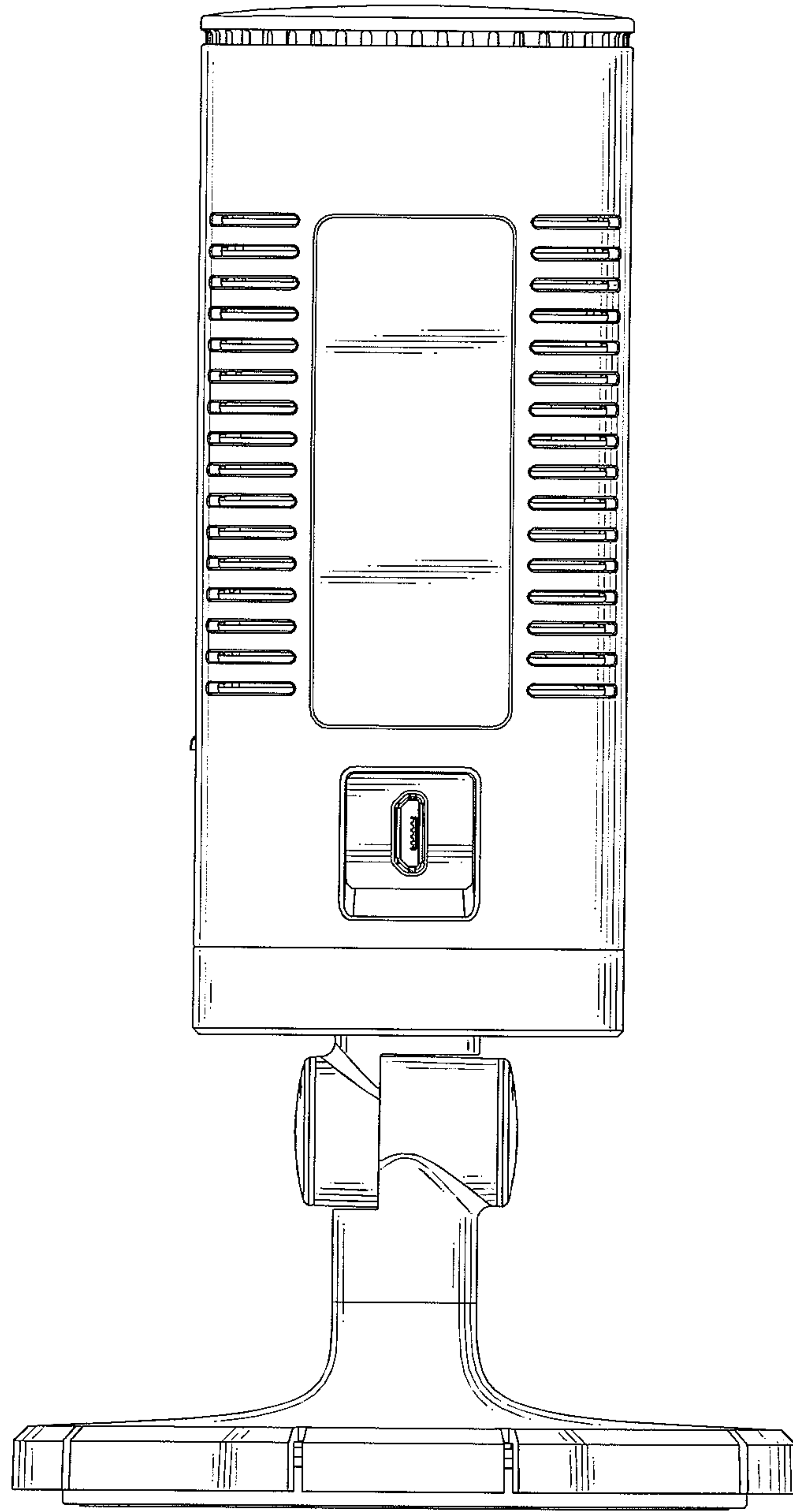


FIG. 3

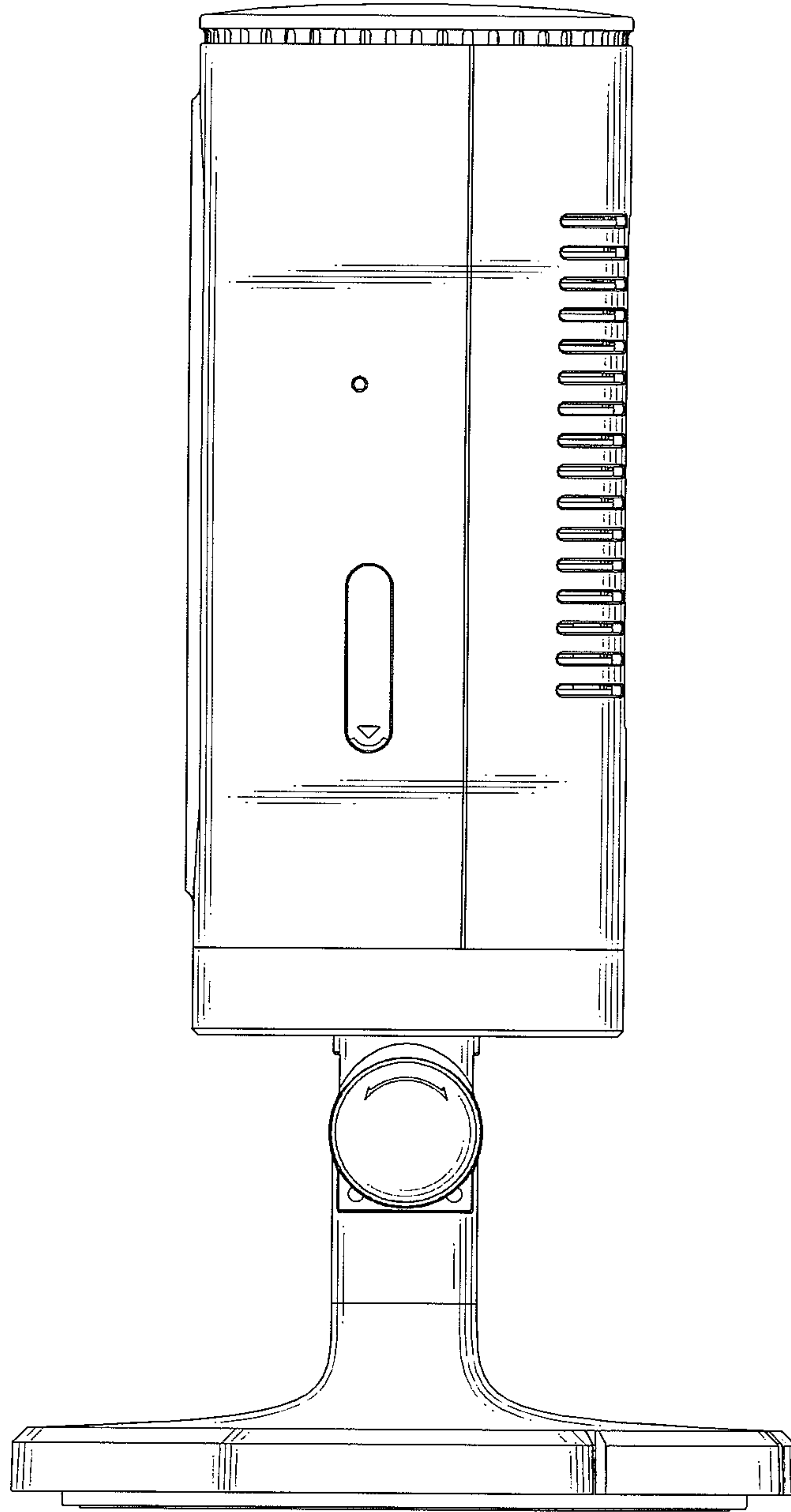


FIG. 4

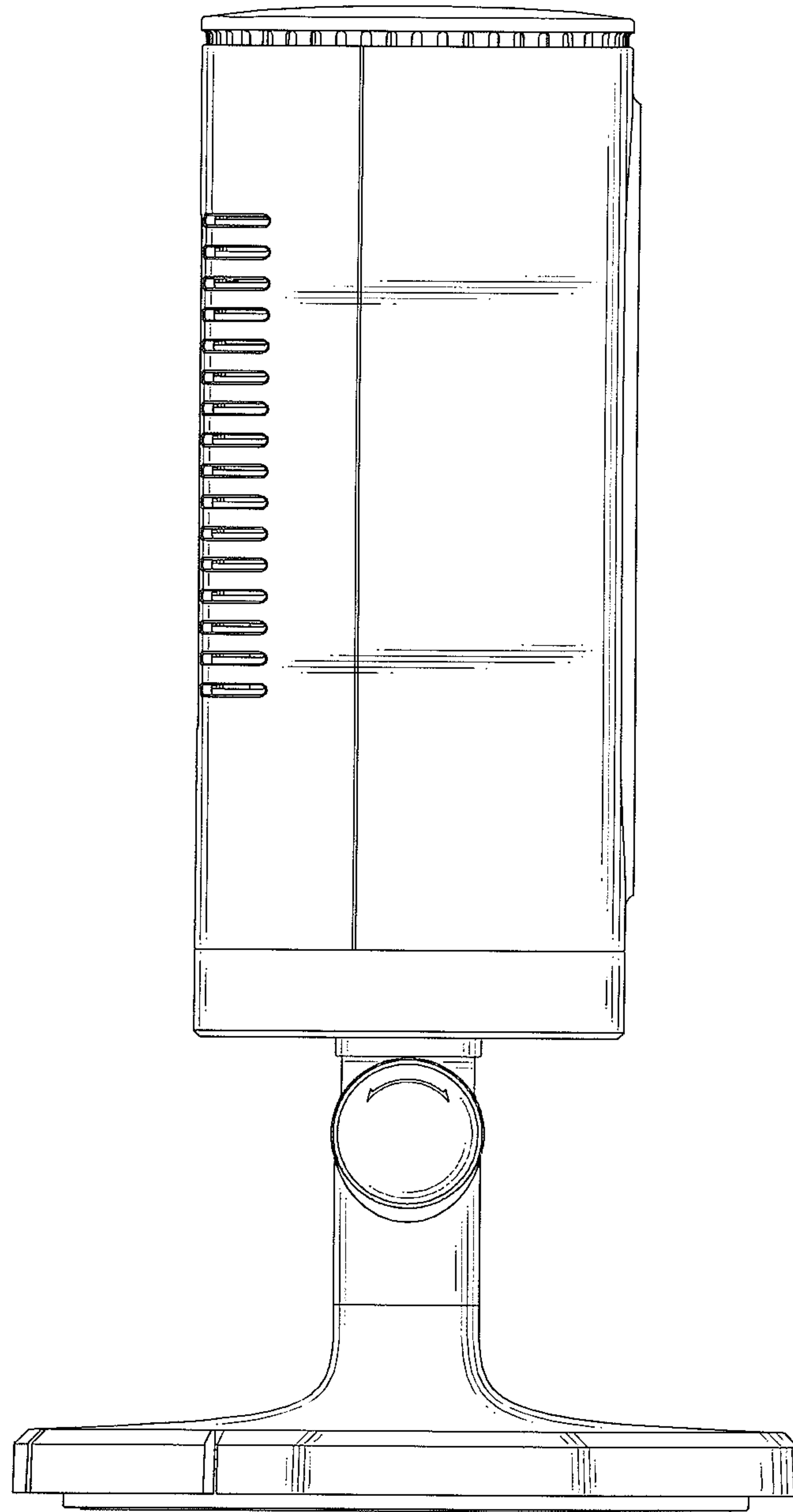


FIG. 5



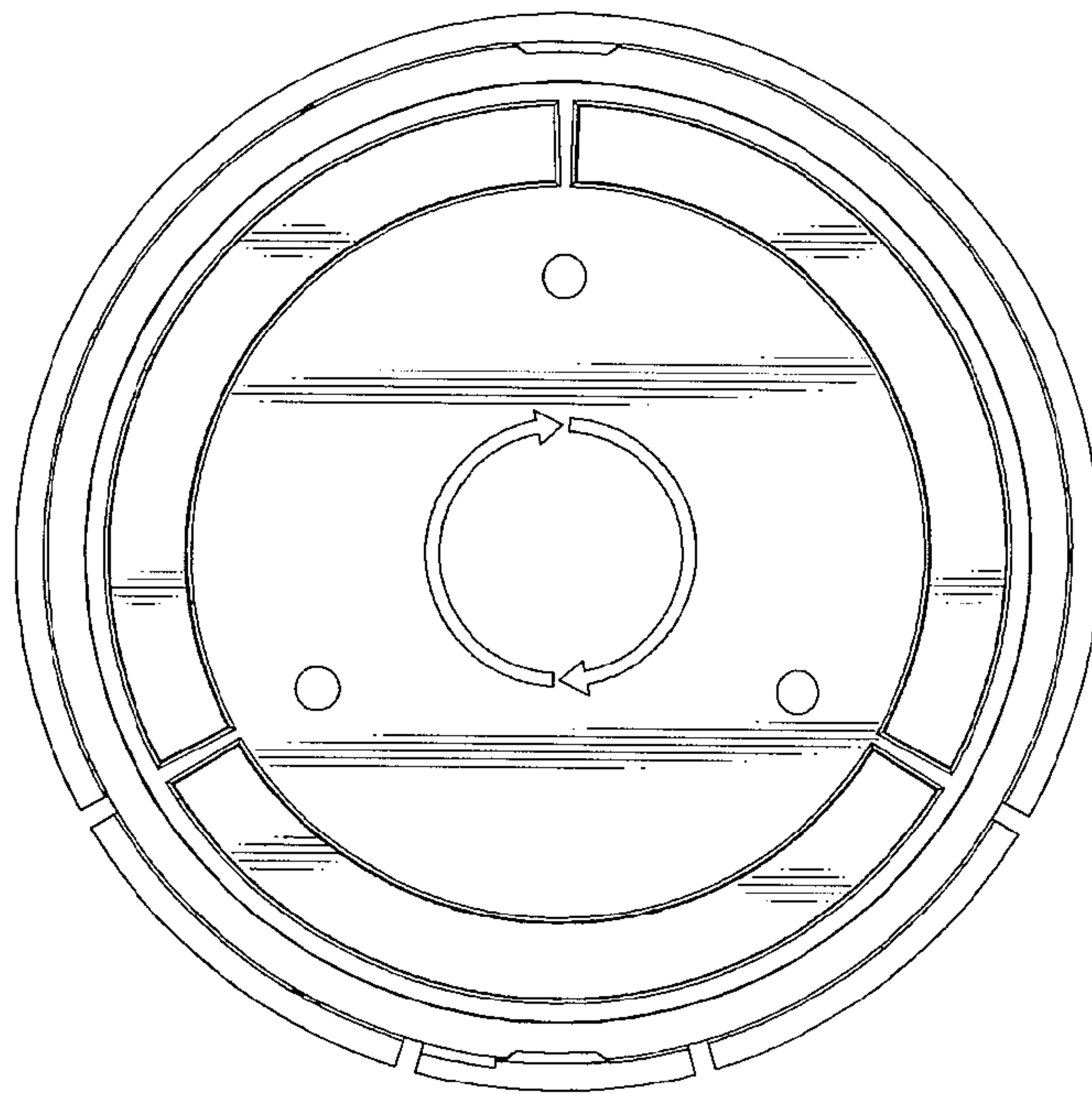


FIG. 6

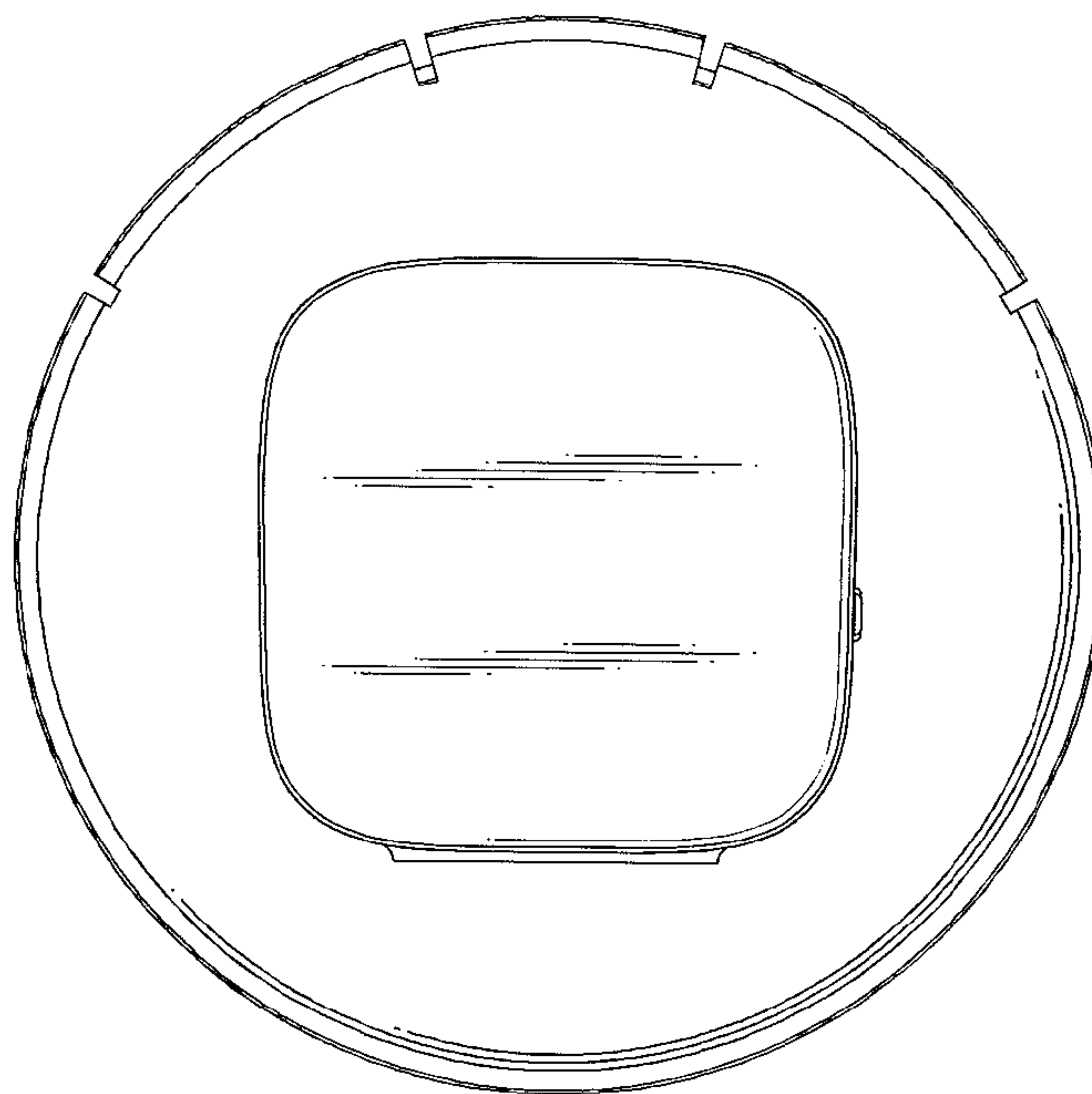


FIG. 7