



US00D746349S

(12) **United States Design Patent**  
**Yung et al.**

(10) **Patent No.:** **US D746,349 S**

(45) **Date of Patent:** **\*\* Dec. 29, 2015**

(54) **SURVEILLANCE SYSTEM ENCLOSURE**

(71) Applicants: **Steven K. Yung**, Newark, CA (US);  
**Mazin Bedwan**, Newark, CA (US)

(72) Inventors: **Steven K. Yung**, Newark, CA (US);  
**Mazin Bedwan**, Newark, CA (US)

(73) Assignee: **V5 SYSTEMS, INC.**, Fremont, CA (US)

(\*\*) Term: **14 Years**

(21) Appl. No.: **29/518,404**

(22) Filed: **Feb. 23, 2015**

(51) **LOC (10) Cl.** ..... **16-01**

(52) **U.S. Cl.**  
USPC ..... **D16/203**

(58) **Field of Classification Search**  
USPC ..... D16/200, 202, 203, 204, 208, 209, 218,  
D16/219; 340/436, 937; 348/143, 151,  
348/373-376; 396/427, 433, 535-541  
See application file for complete search history.

(56) **References Cited**

**U.S. PATENT DOCUMENTS**

D410,480 S *	6/1999	Takagi	.....	D16/202
D577,758 S *	9/2008	Ferris et al.	.....	D16/203
D666,233 S *	8/2012	Carver et al.	.....	D16/200
D706,852 S *	6/2014	Carver et al.	.....	D16/203
2010/0265328 A1 *	10/2010	Chou	.....	348/143

**OTHER PUBLICATIONS**

<http://www.eastbayexpress.com/SevenDays/archives/2015/02/23/bay-area-law-enforcement-agencies-rush-ahead-to-obtain-new-more-powerful-surveillance-systems> Posted Feb. 23, 2015.\*

\* cited by examiner

*Primary Examiner* — Susan Bennett Hattan

*Assistant Examiner* — Leanne Was

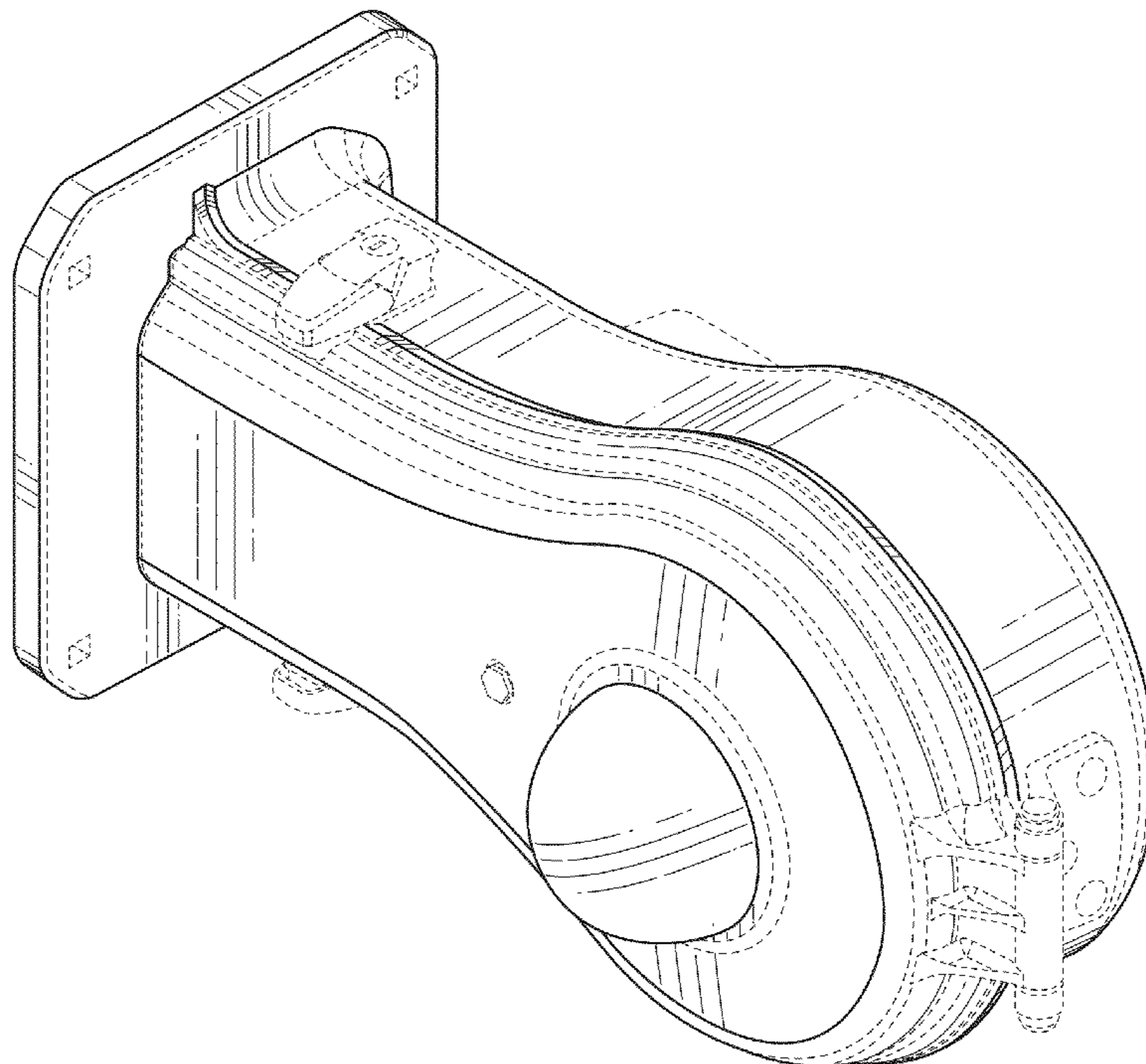
(57) **CLAIM**

The ornamental design for a surveillance system enclosure, as shown and described.

**DESCRIPTION**

FIG. 1 is an angled right bottom perspective view of an surveillance system enclosure;  
FIG. 2 is an angled top right perspective view of the variation of the enclosure shown in FIG. 1;  
FIG. 3 is an angled left bottom perspective view of the variation of the enclosure shown in FIG. 1;  
FIG. 4 is an angled top left perspective view of the variation of the enclosure shown in FIG. 1;  
FIG. 5 is a bottom view of the variation of the enclosure shown in FIG. 1;  
FIG. 6 is a top view of the variation of the enclosure shown in FIG. 1; and,  
FIG. 7 is a left side view of the variation of the enclosure shown in FIG. 1.  
The elements shown in broken lines are to show environment and form no part of the claimed design.

**1 Claim, 7 Drawing Sheets**



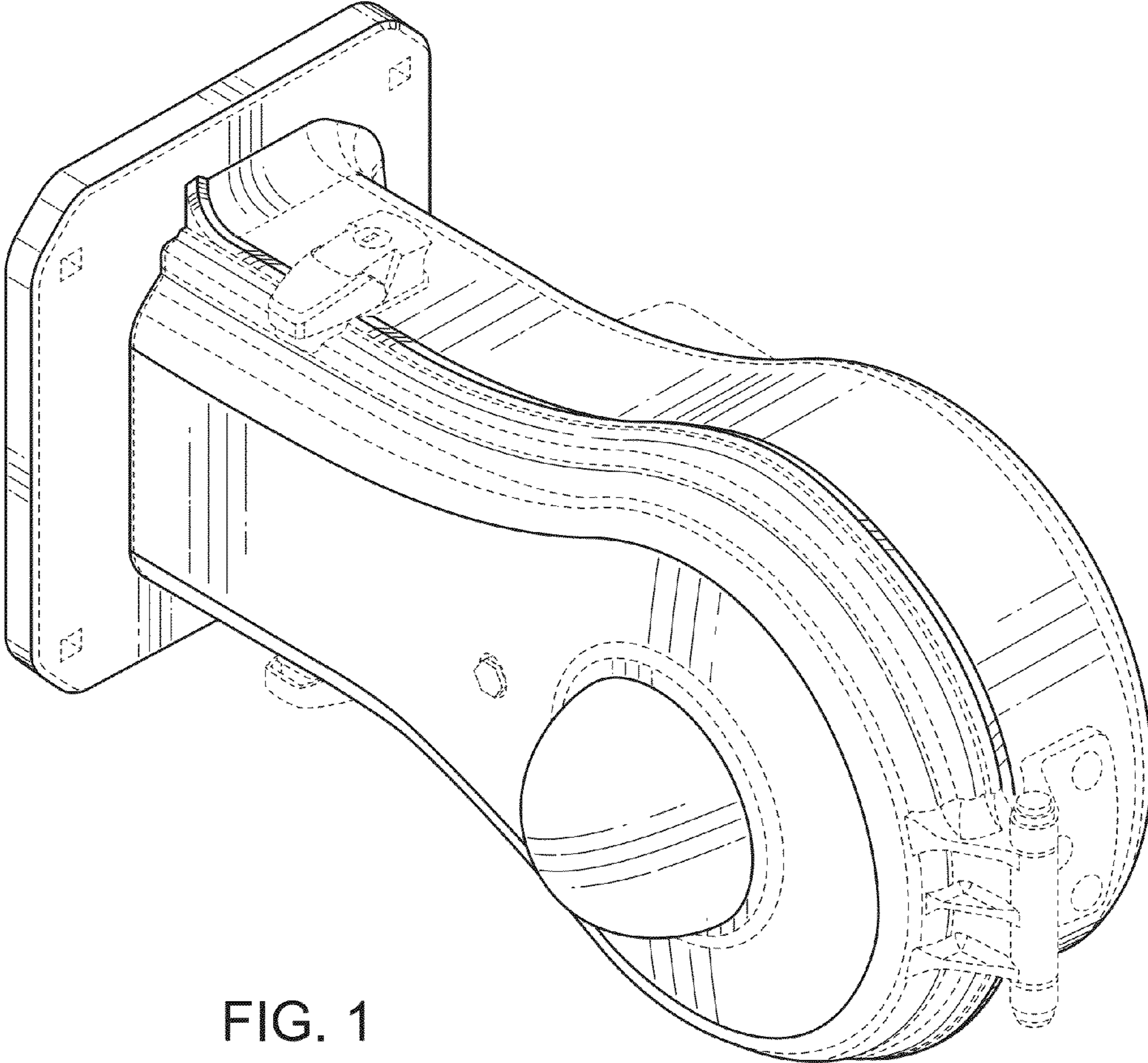


FIG. 1

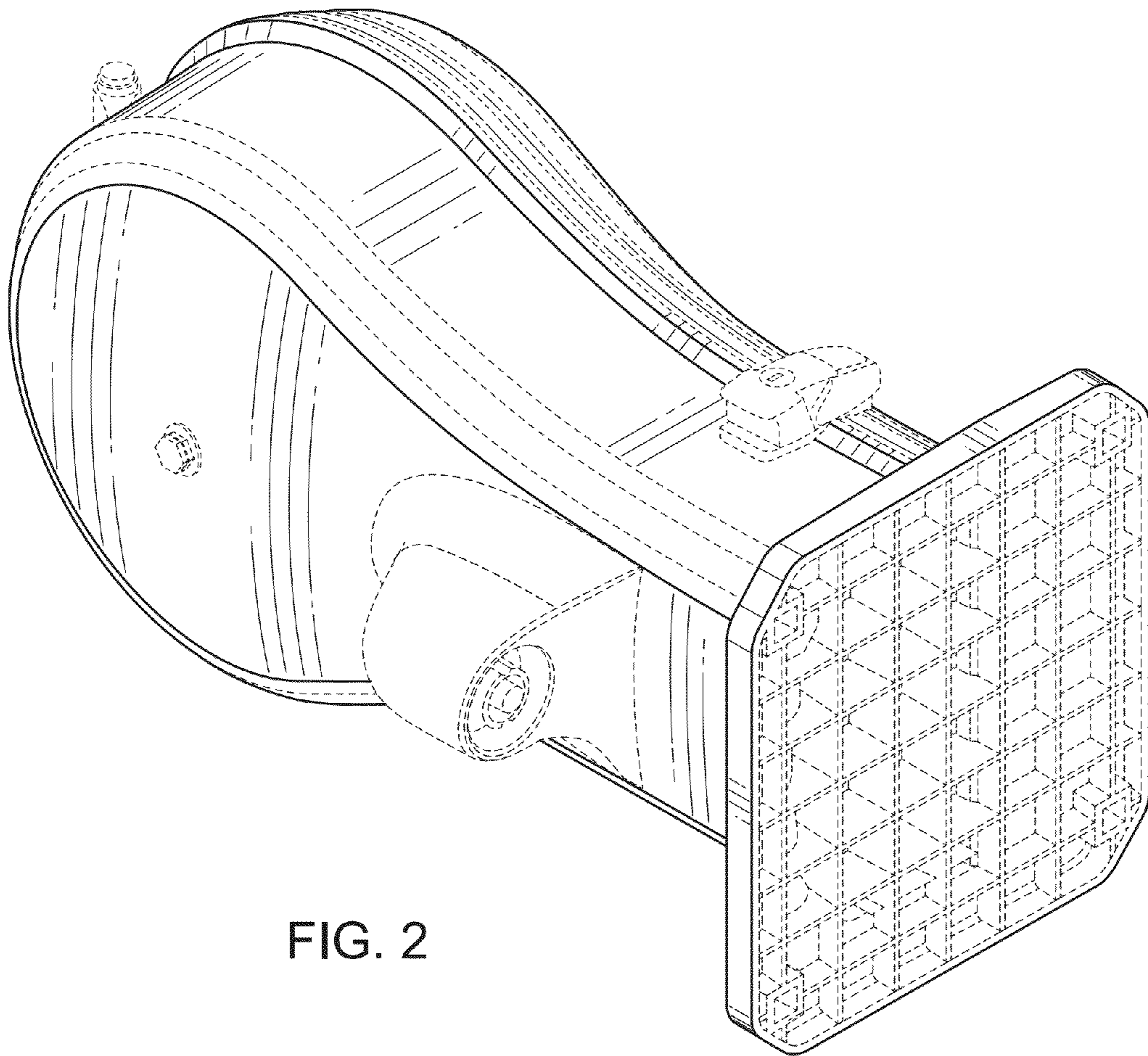


FIG. 2

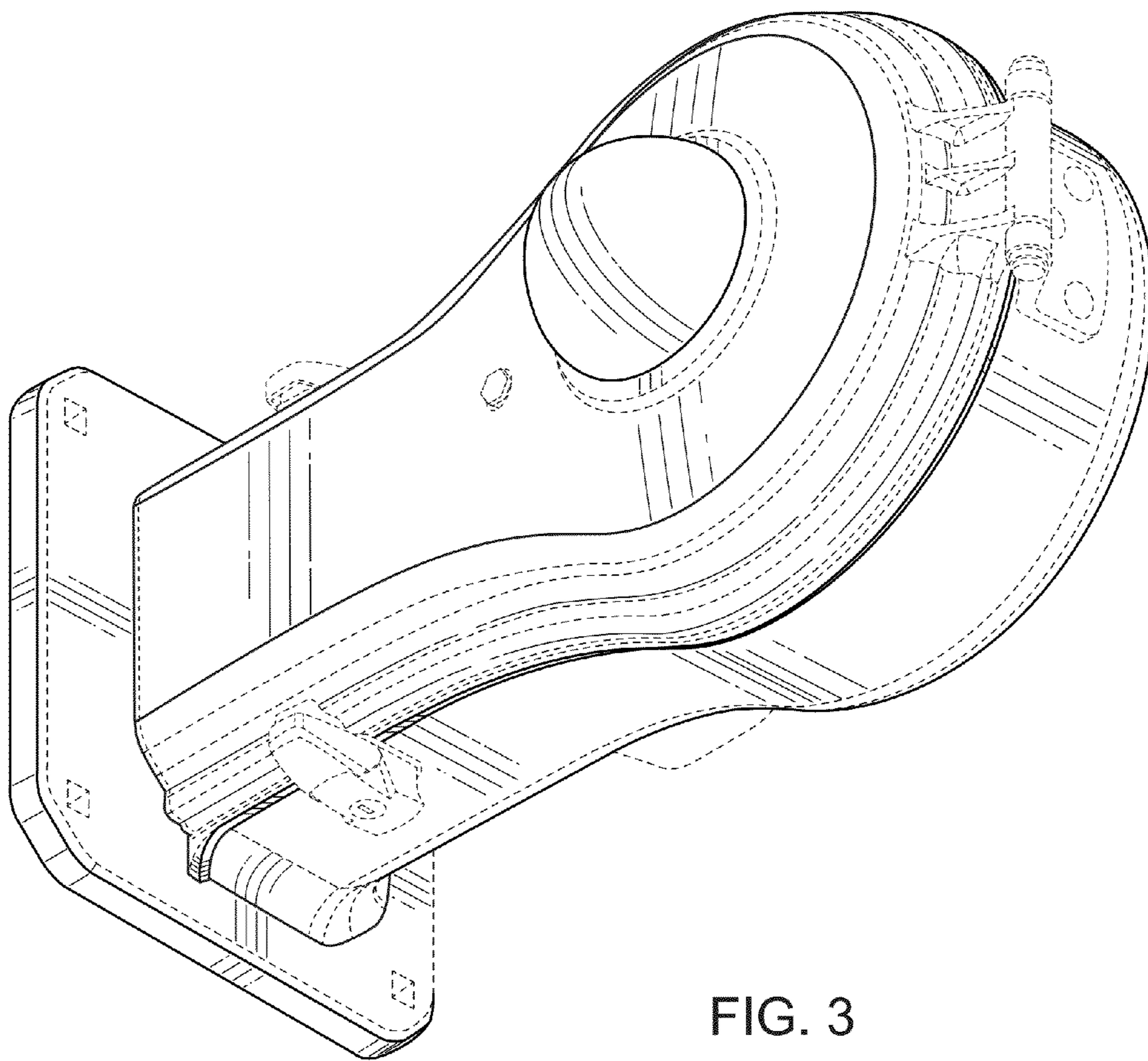


FIG. 3

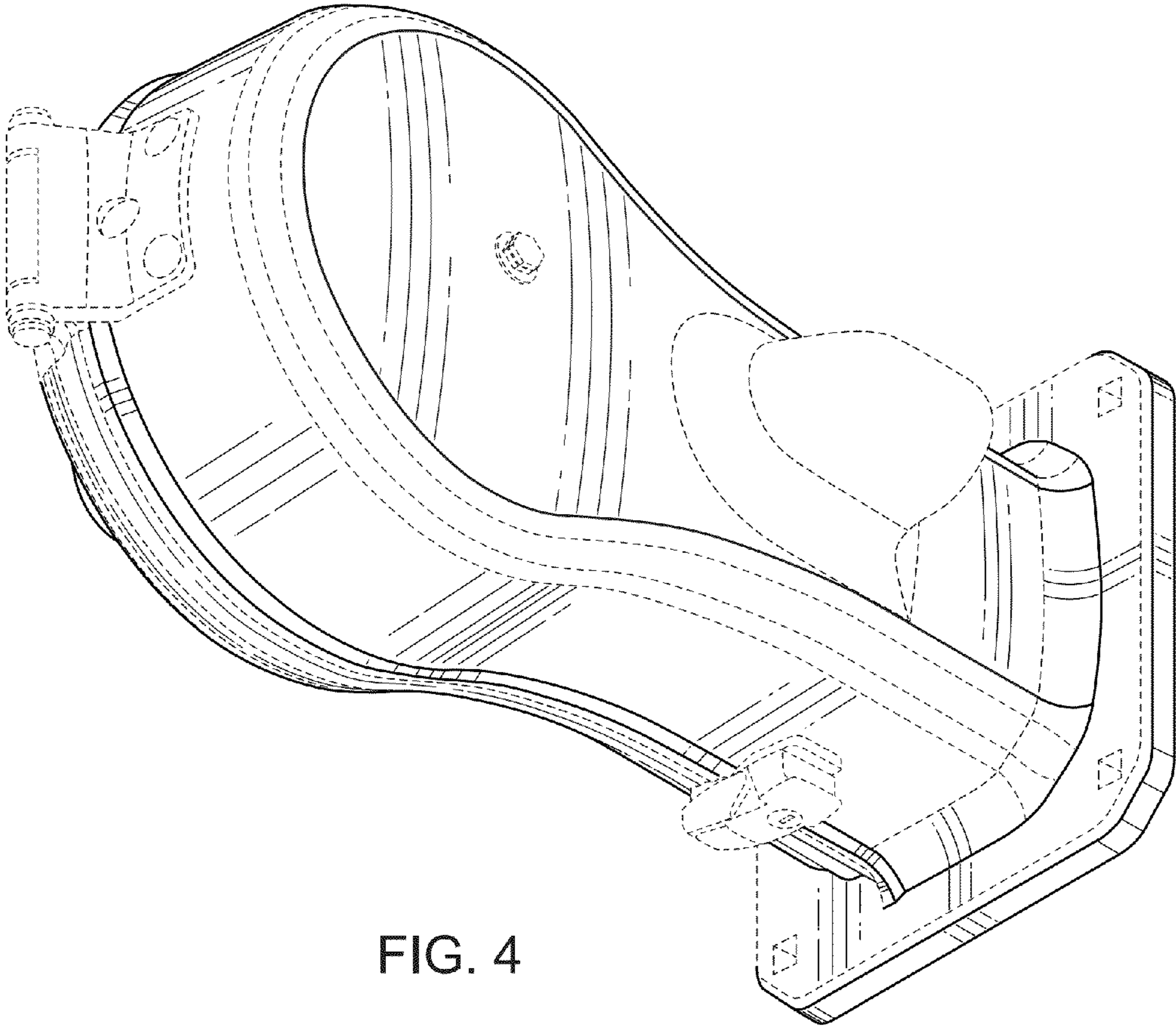


FIG. 4

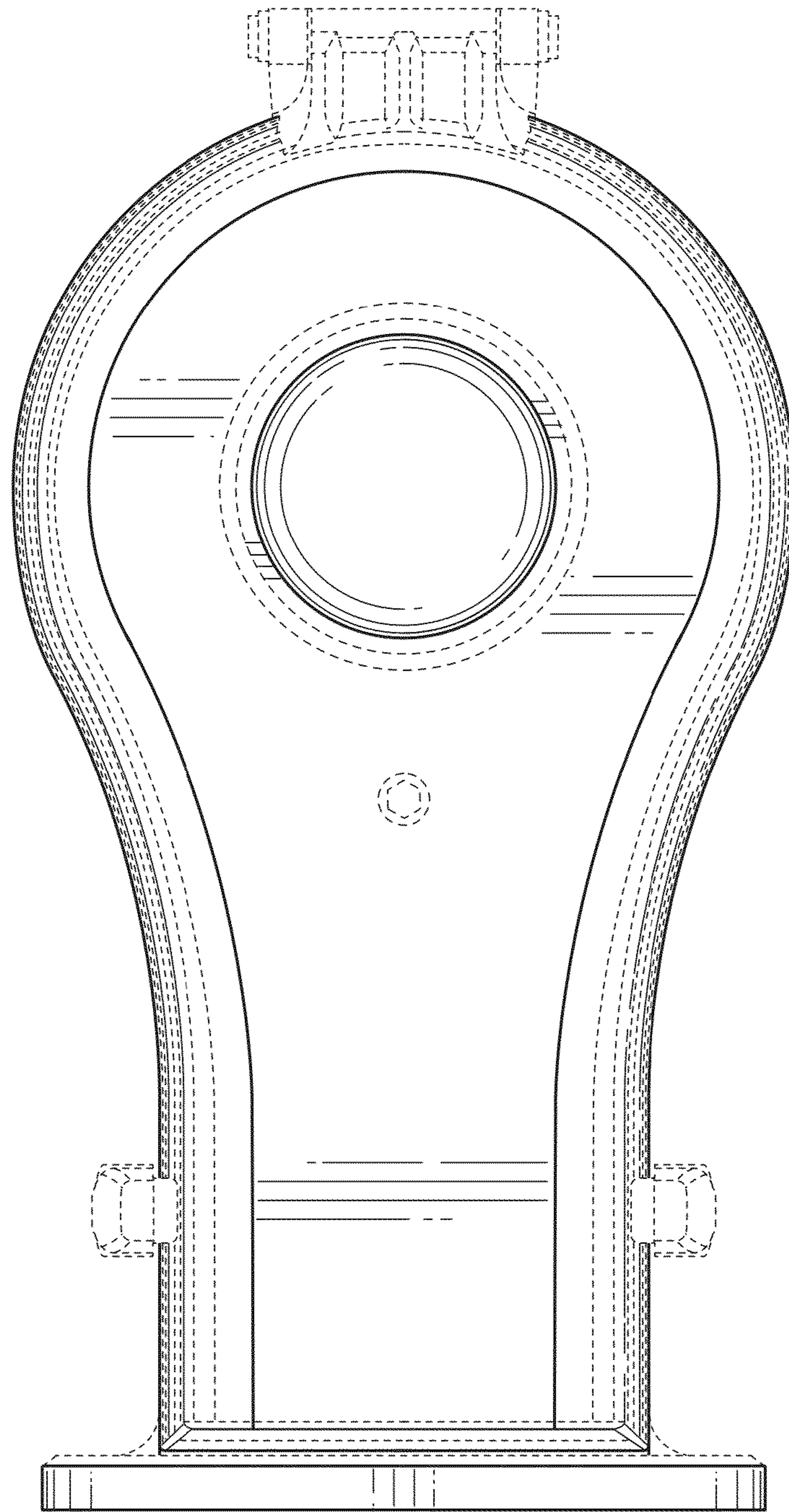


FIG. 5

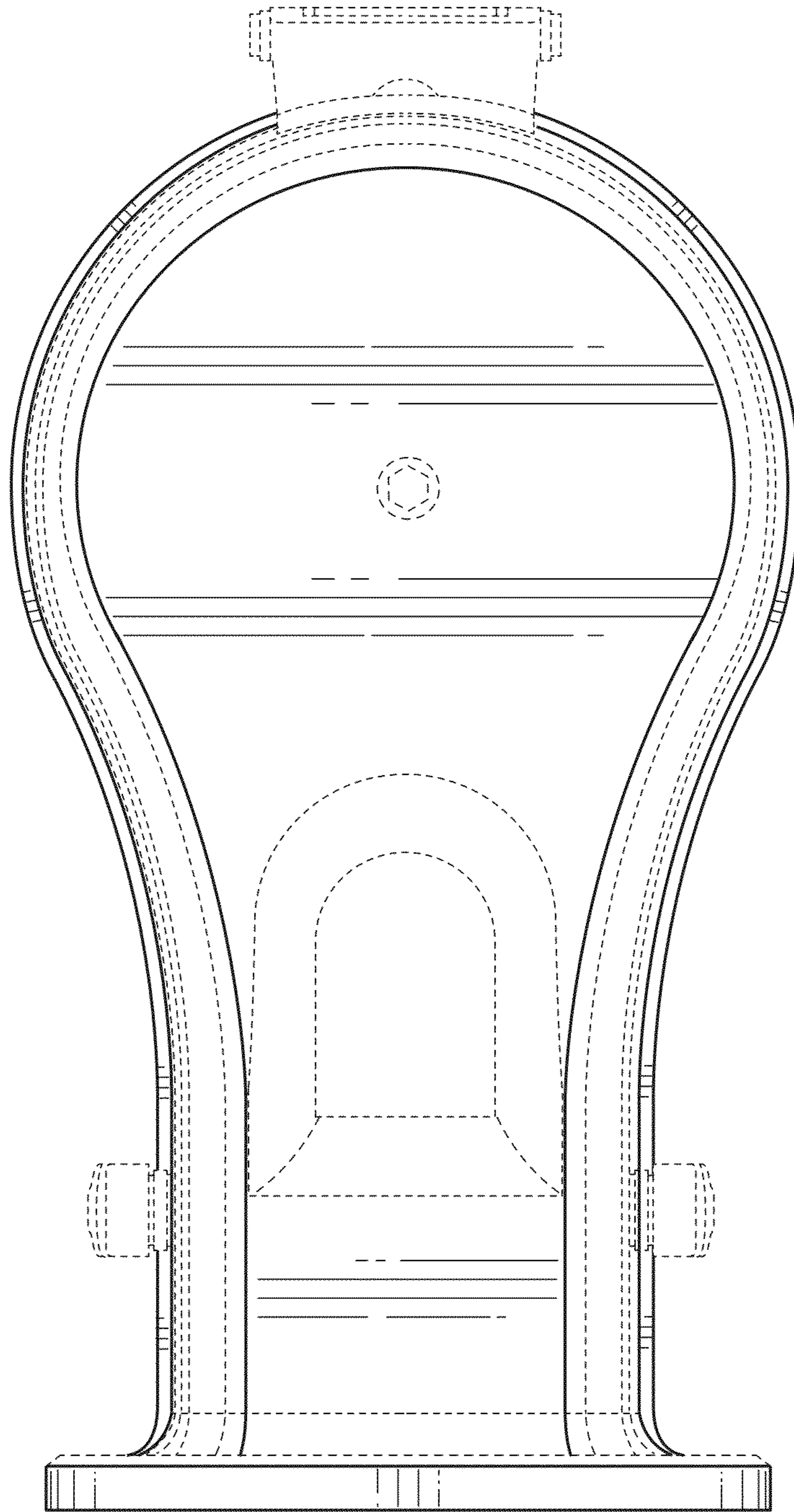


FIG. 6

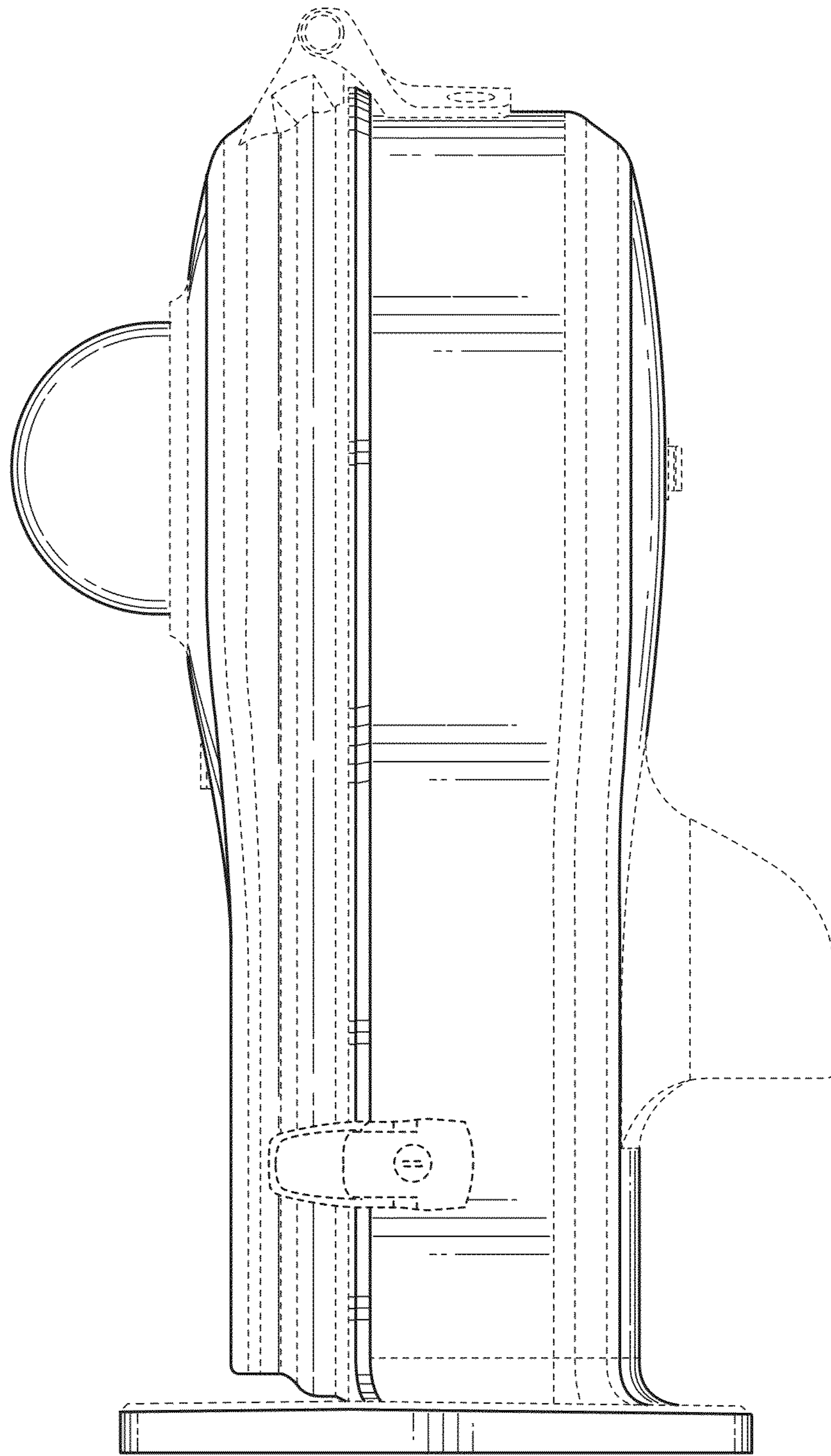


FIG. 7