



US00D746341S

(12) **United States Design Patent**
Talbot

(10) **Patent No.:** **US D746,341 S**

(45) **Date of Patent:** **** Dec. 29, 2015**

(54) **GUARD FOR A SICKLE**

D225,356 S * 12/1972 Neal et al. D15/28
3,978,645 A * 9/1976 Bennett et al. 56/310
D254,548 S * 3/1980 Dowd et al. D15/28

(71) Applicant: **MacDon Industries Ltd.**, Winnipeg
(CA)

(Continued)

(72) Inventor: **Francois R. Talbot**, Winnipeg (CA)

Primary Examiner — Mark Goodwin

(73) Assignee: **MacDon Industries Ltd.**, Winnipeg,
MB (CA)

(74) *Attorney, Agent, or Firm* — Adrian D. Battison; Ade &
Company Inc.

(**) Term: **14 Years**

(57) **CLAIM**

The ornamental design for a guard for a sickle, as shown and
described.

(21) Appl. No.: **29/501,732**

DESCRIPTION

(22) Filed: **Sep. 8, 2014**

FIG. 1 is an isometric view from the top and one side of the
guard for a sickle showing the design.

(51) **LOC (10) Cl.** **15-03**

FIG. 2 is a first side elevational view of the guard for a sickle
showing the design.

(52) **U.S. Cl.**

USPC **D15/28**

FIG. 3 is a top plan view of the guard for a sickle showing the
design.

(58) **Field of Classification Search**

USPC D15/11, 17, 28, 29, 32; 56/298, 310,
56/307, 305, 311, 12.9

FIG. 4 is a second side elevational view of the guard for a
sickle showing the design.

CPC A01D 34/18; A01D 34/02; A01D 34/13;
A01D 34/135; A01D 34/16; A01D 46/00;
Y10T 29/49451

FIG. 5 is a bottom plan view of the guard for a sickle showing
the design.

See application file for complete search history.

FIG. 6 is a rear elevational view of the guard for a sickle
showing the design.

FIG. 7 is a front elevational view of the guard for a sickle
showing the design.

(56) **References Cited**

U.S. PATENT DOCUMENTS

413,116 A * 10/1889 Walker 56/311
D44,224 S * 6/1913 Suhr D15/28
1,728,326 A * 9/1929 Borkhuis 56/311
2,431,663 A * 11/1947 Scranton 56/307
2,484,630 A * 10/1949 Magee 56/309
2,619,787 A * 12/1952 Mills et al. 56/310
2,654,987 A * 10/1953 Mills et al. 56/310
D197,903 S * 4/1964 Scarnato et al. D15/28
3,146,570 A * 9/1964 Otten 56/311
3,171,242 A * 3/1965 Scarnato et al. 56/310
3,401,512 A * 9/1968 Pool et al. 56/298
3,553,948 A * 1/1971 White 56/307
3,566,592 A * 3/1971 Jerman et al. 56/311

FIG. 8 is an isometric view from the top and one side of the
guard for a sickle showing a variant of the design.

FIG. 9 is a top plan view of the guard for a sickle showing the
variant of the design.

FIG. 10 is a first side elevational view of the guard for a sickle
showing the variant of the design.

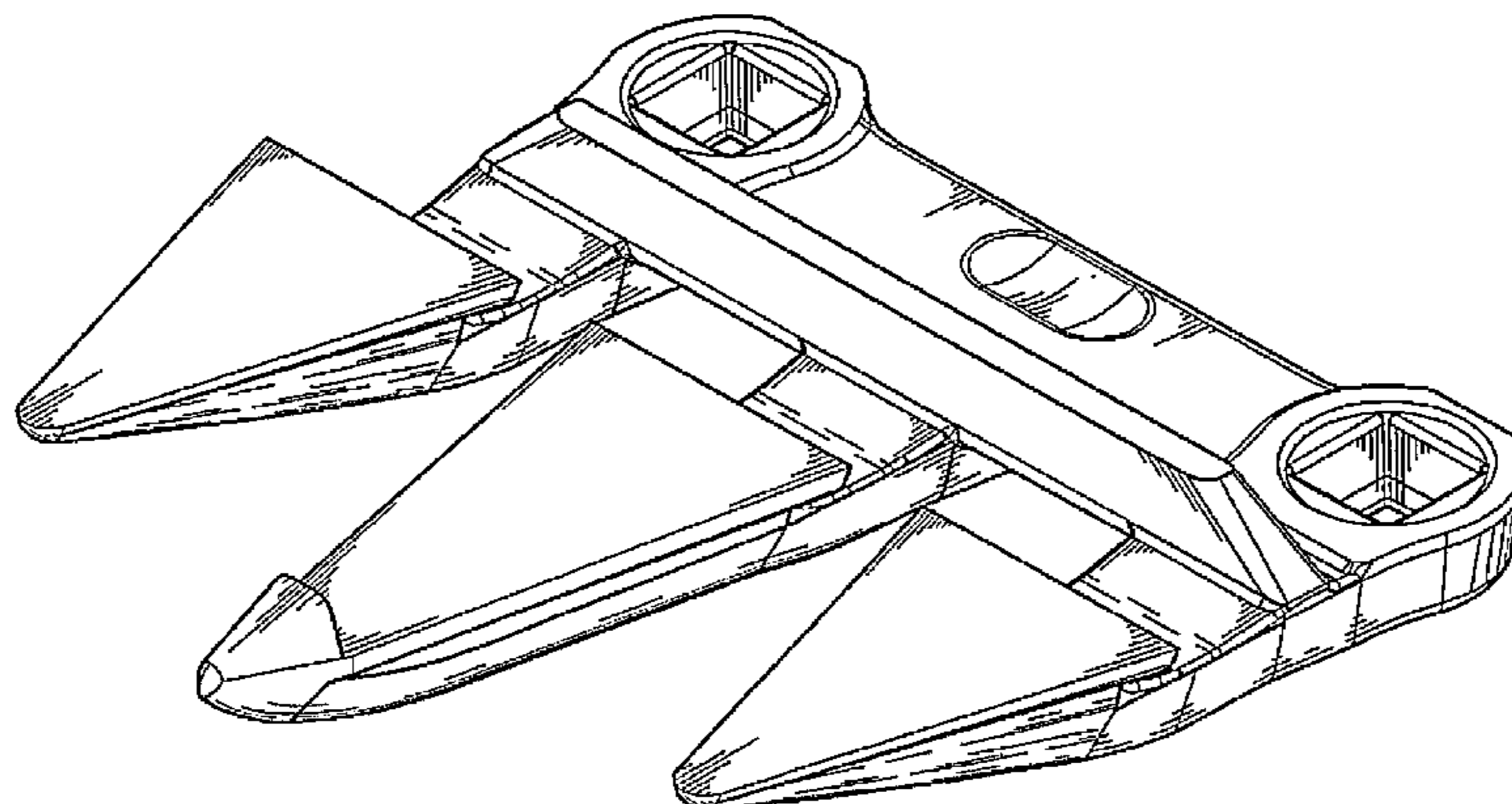
FIG. 11 is a bottom plan view of the guard for a sickle
showing the variant of the design.

FIG. 12 is a second side elevational view of the guard for a
sickle showing the variant of the design.

FIG. 13 is a rear elevational view of the guard for a sickle
showing the variant of the design; and,

FIG. 14 is a front elevational view of the guard for a sickle
showing the variant of the design.

1 Claim, 8 Drawing Sheets



(56)

References Cited

U.S. PATENT DOCUMENTS

4,290,326	A *	9/1981	Ibach et al.	76/101.1	6,510,681	B2 *	1/2003	Yang et al.	56/298
4,519,192	A *	5/1985	Oppenhuisen et al.	56/298	6,543,211	B1 *	4/2003	Talbot	56/296
4,644,738	A *	2/1987	Krambeck et al.	56/259	D494,605	S *	8/2004	Calmer	D15/28
4,651,511	A *	3/1987	Majkrzak	56/310	6,962,040	B2 *	11/2005	Talbot	56/297
4,909,026	A *	3/1990	Molzahn et al.	56/298	7,328,565	B2 *	2/2008	Snider et al.	56/298
5,123,237	A *	6/1992	Lutz	56/298	7,373,769	B2 *	5/2008	Talbot et al.	56/303
5,209,053	A *	5/1993	Verbeek	56/298	7,464,527	B2 *	12/2008	Blakeslee et al.	56/298
5,241,811	A *	9/1993	Bolinger	56/310	D623,671	S *	9/2010	Bolyard	D15/32
5,343,682	A *	9/1994	Puncochar	56/305	7,870,713	B2 *	1/2011	Schroeder	56/298
5,884,465	A *	3/1999	Ibach et al.	56/298	2002/0005035	A1 *	1/2002	Hovsepian	56/298
5,979,152	A *	11/1999	McCredie	56/298	2003/0074875	A1 *	4/2003	Talbot	56/257
6,305,154	B1 *	10/2001	Yang et al.	56/298	2005/0016151	A1 *	1/2005	Lolley	56/307
					2008/0006016	A1 *	1/2008	Snider et al.	56/297
					2009/0199529	A1 *	8/2009	Schroeder	56/12.9

* cited by examiner

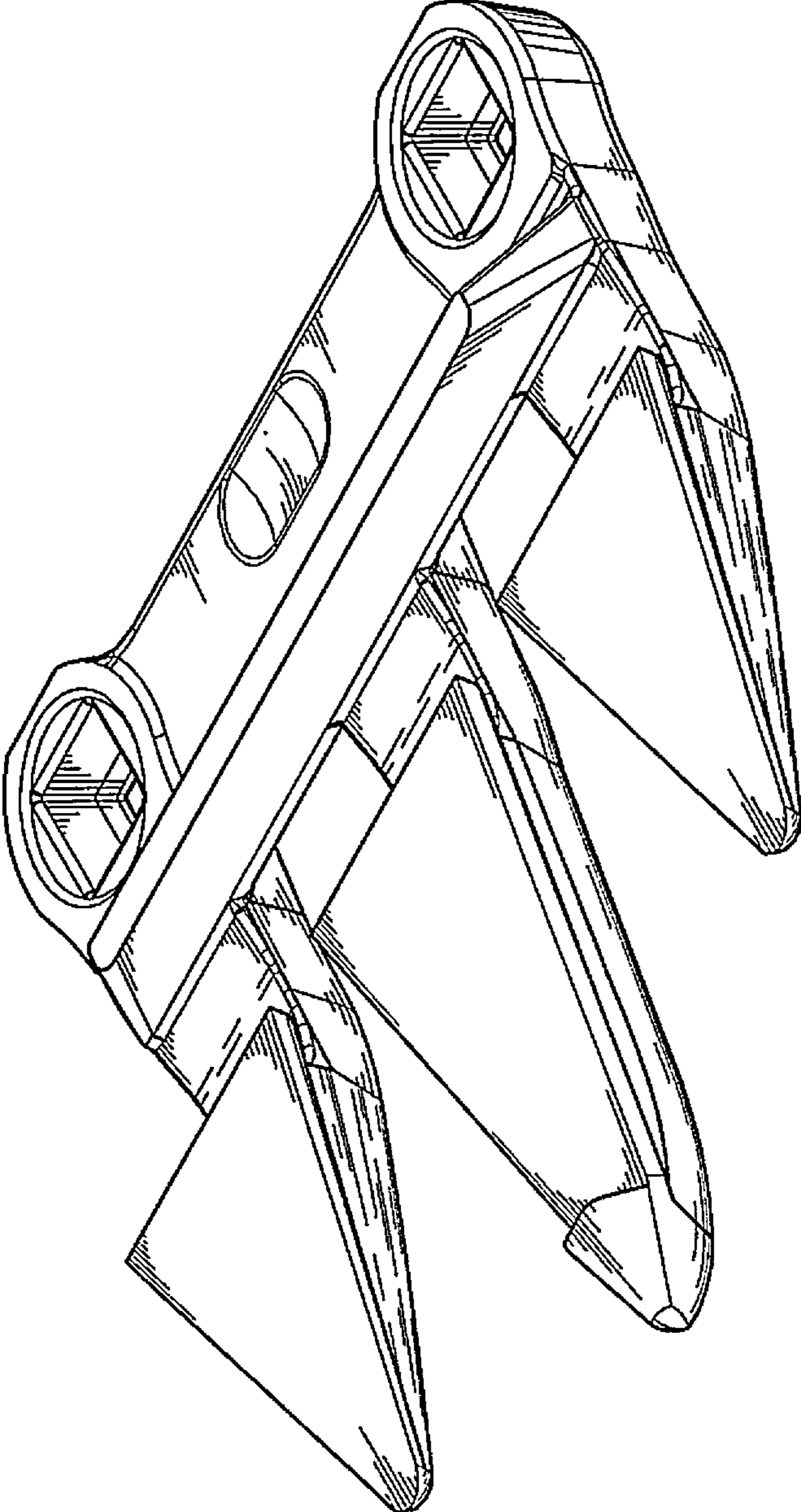


FIG. 1

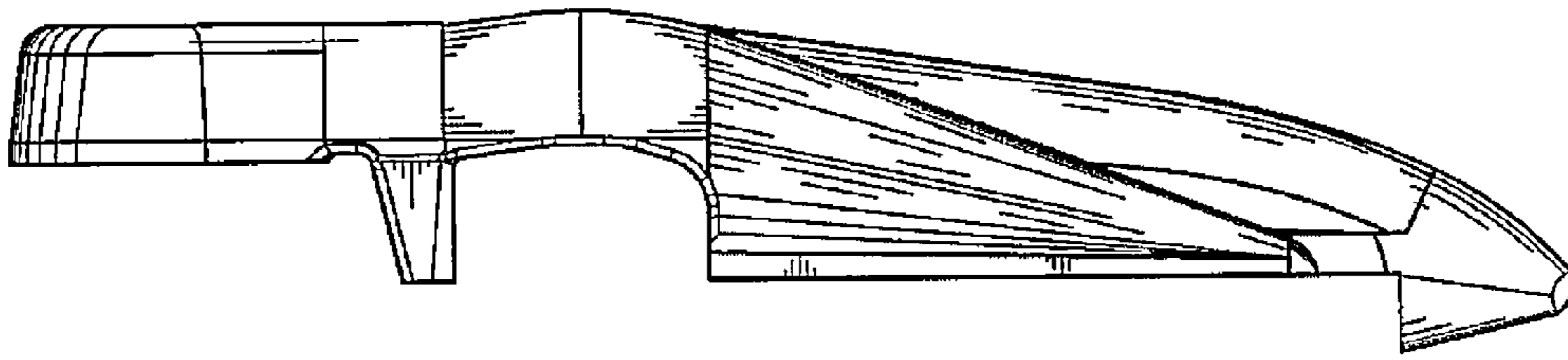


FIG. 2

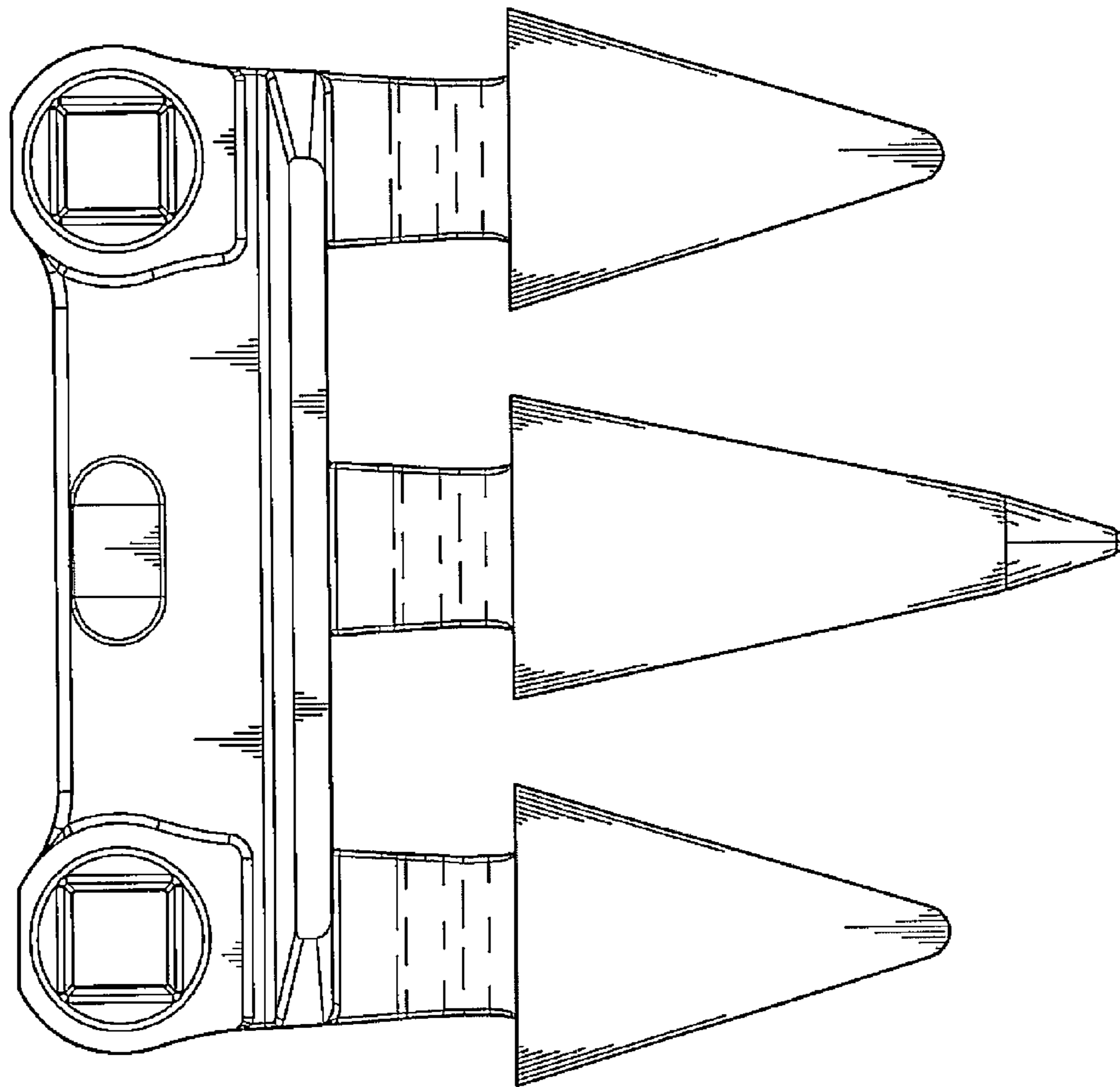


FIG. 3

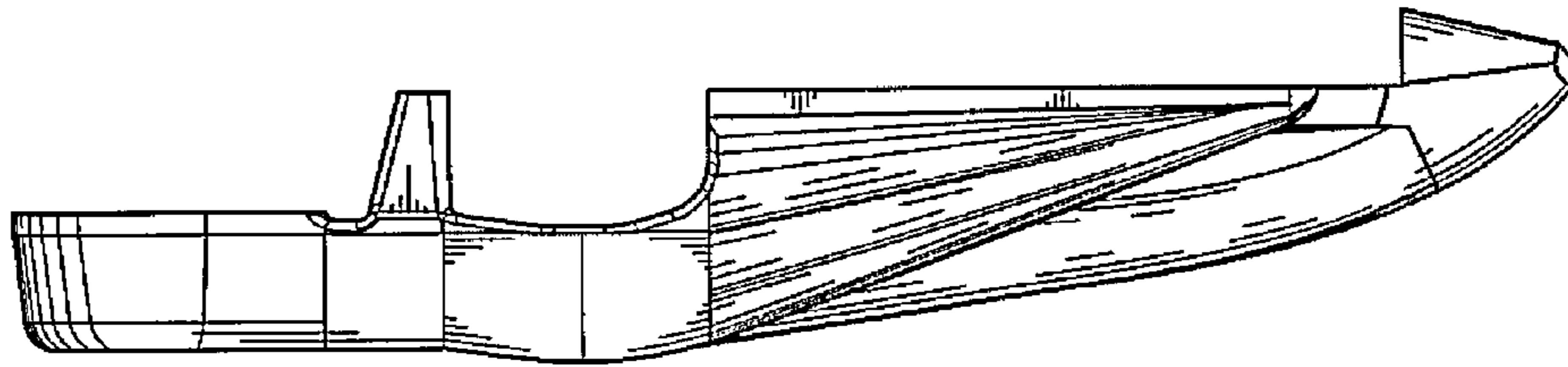


FIG. 4

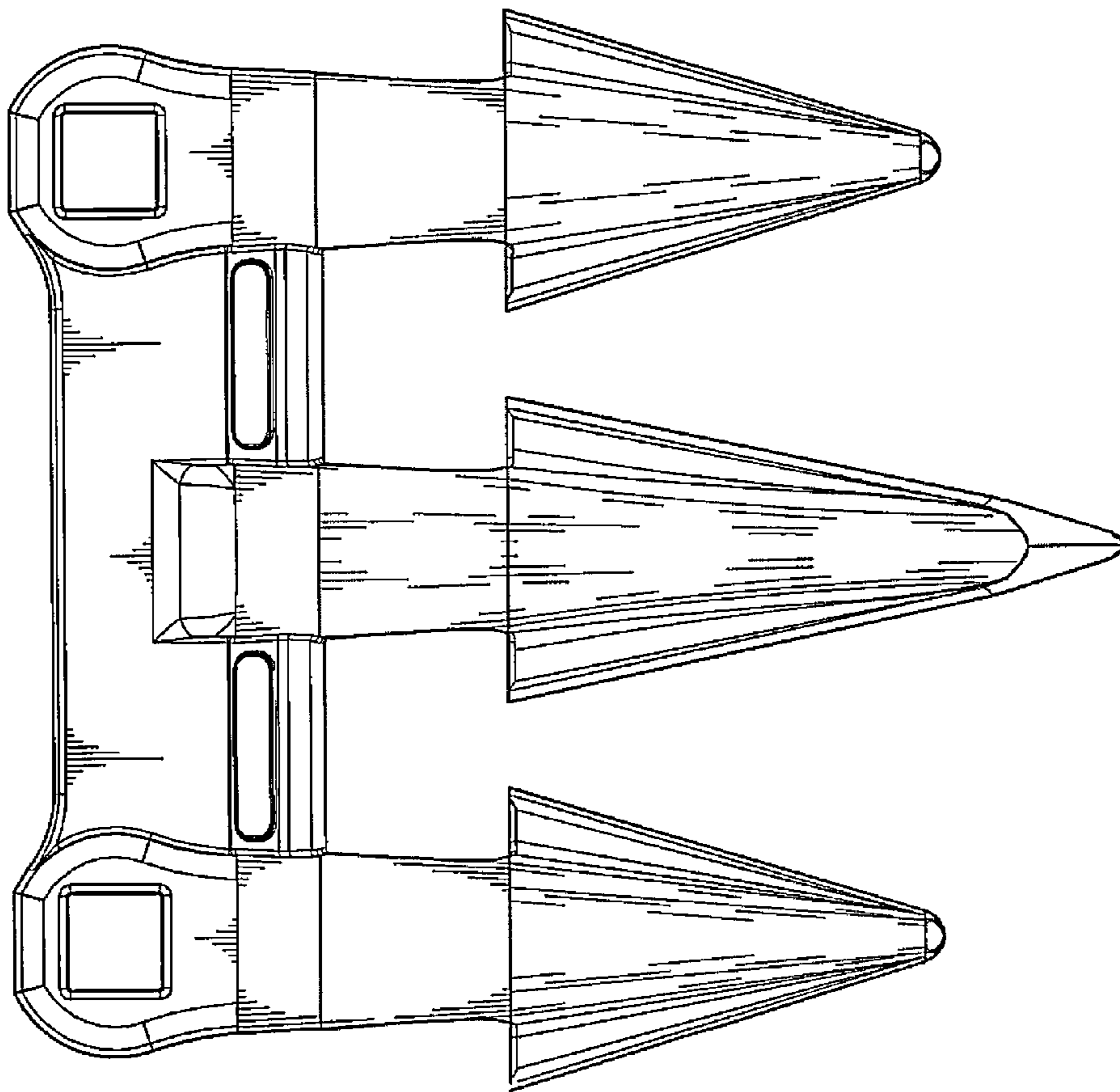


FIG. 5

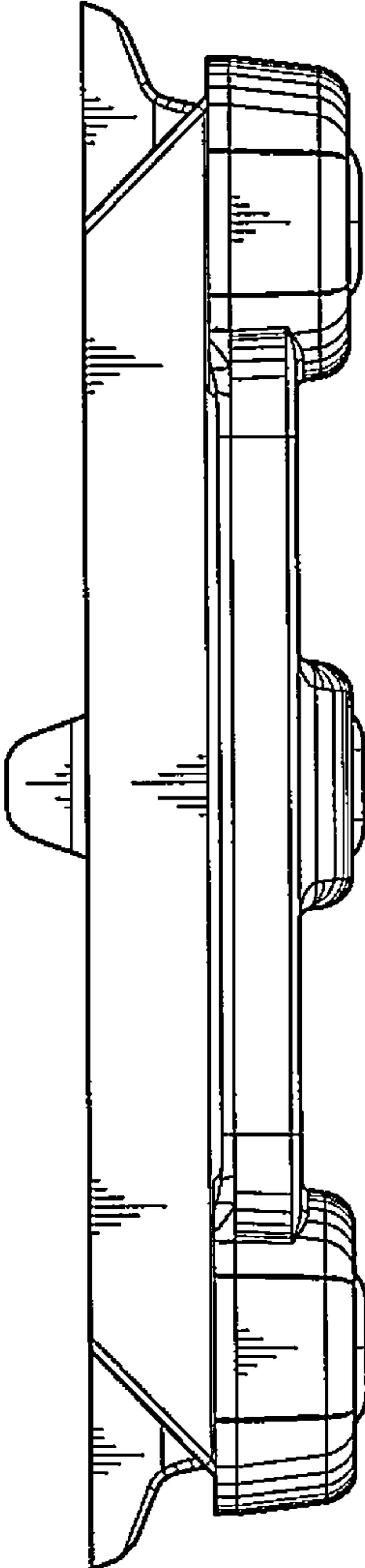


FIG. 6

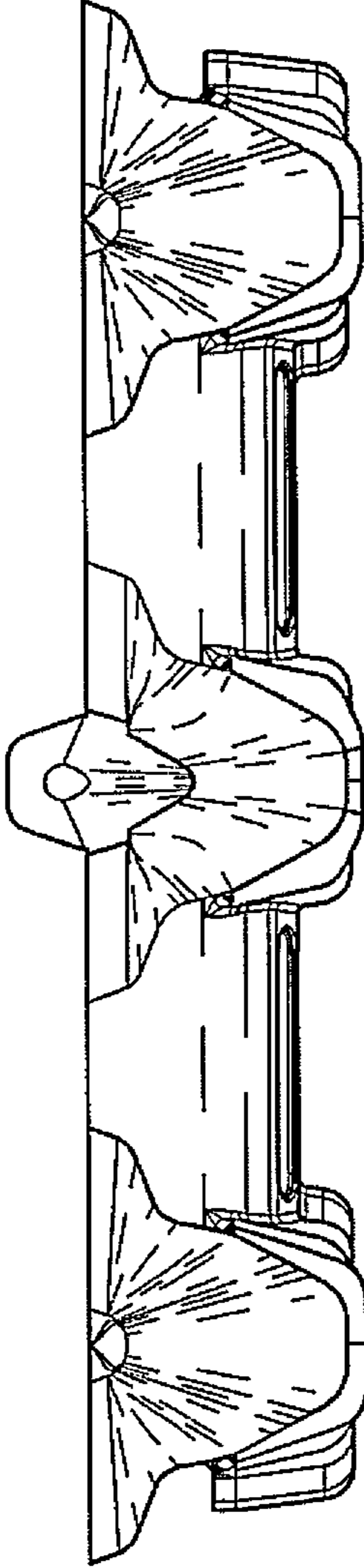


FIG. 7

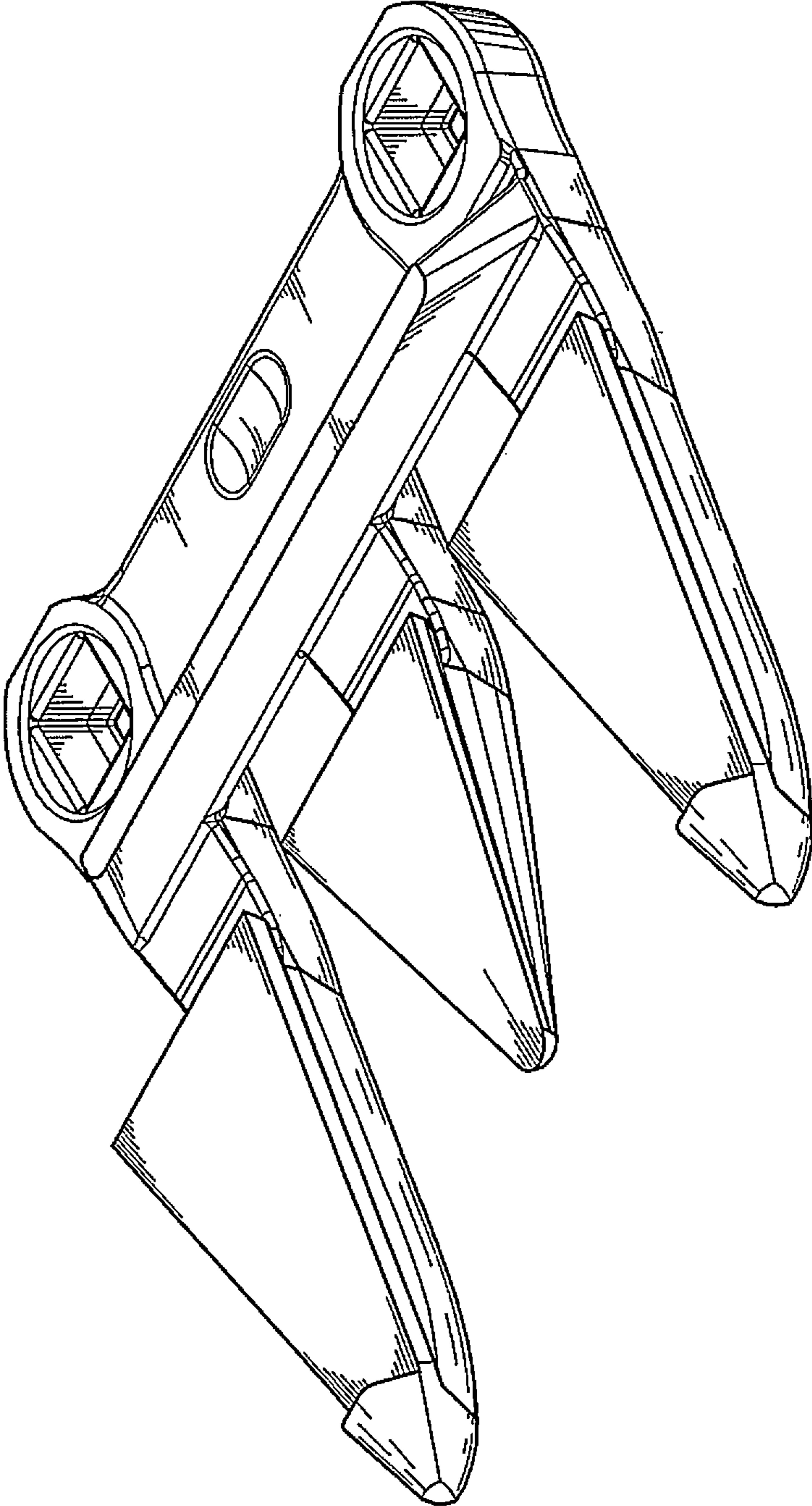


FIG. 8

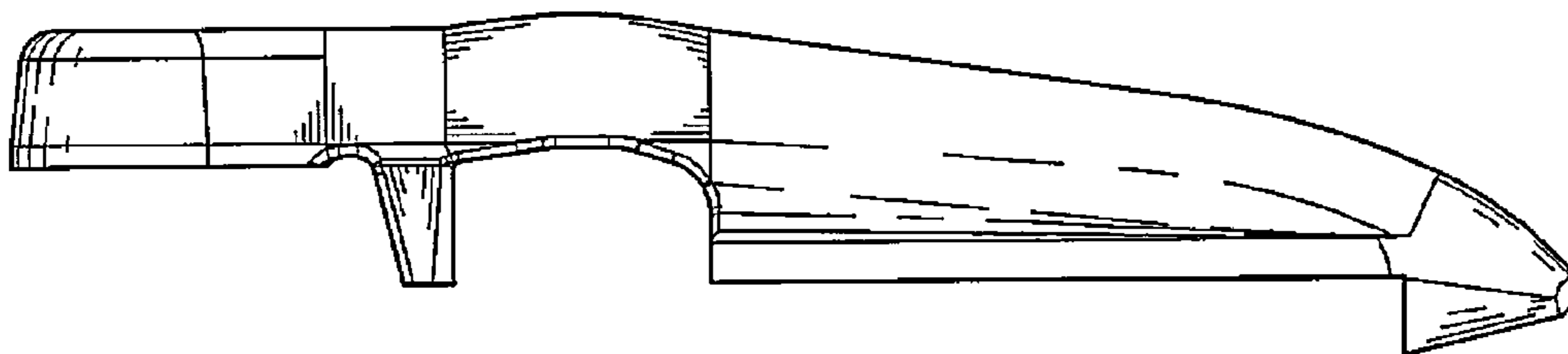


FIG. 10

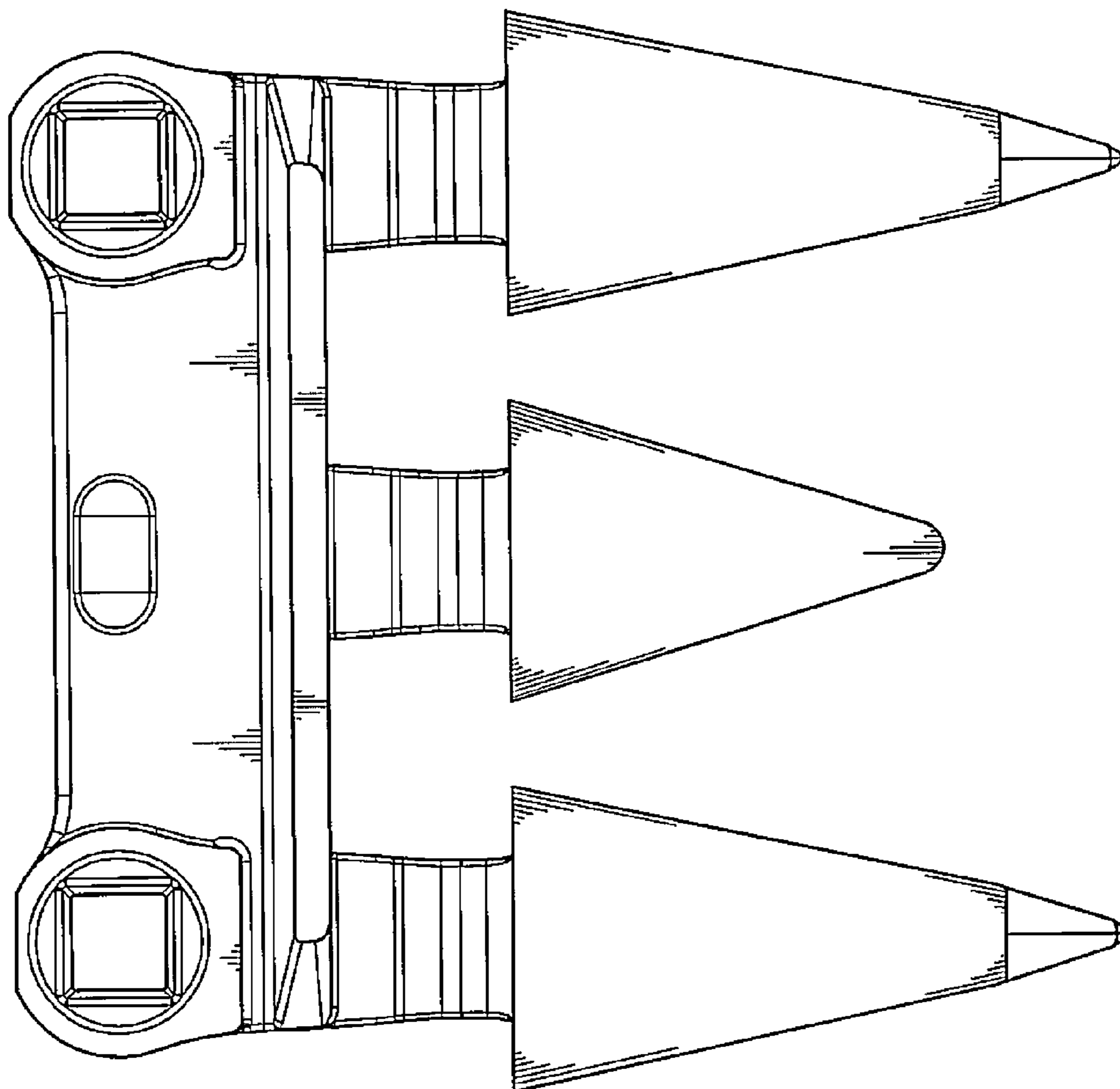


FIG. 9

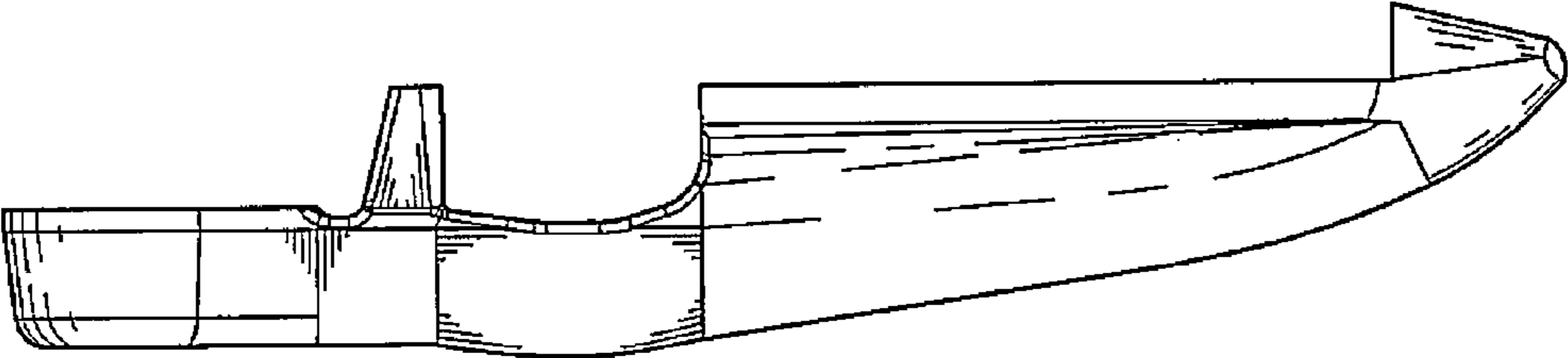


FIG. 12

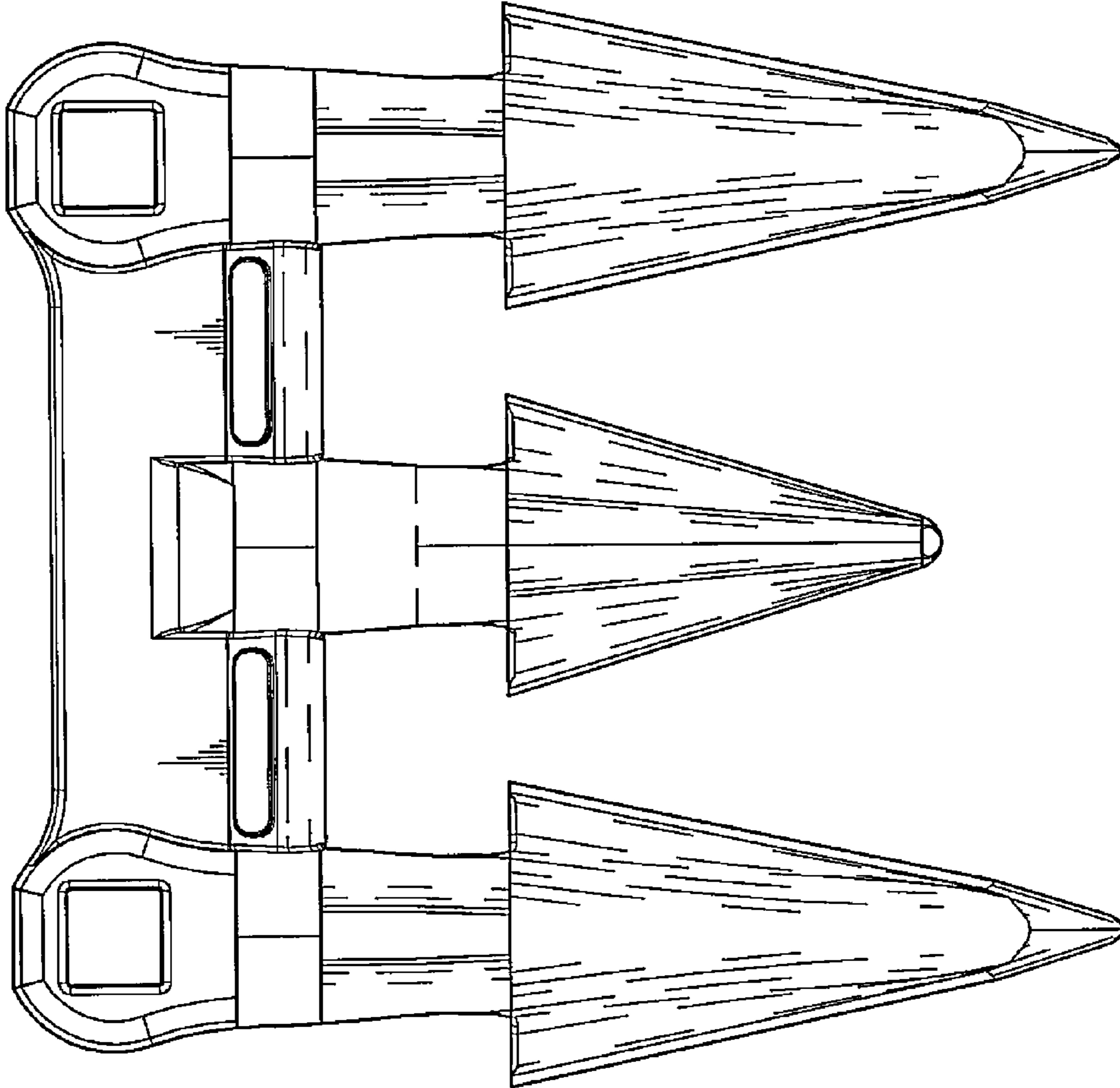


FIG. 11

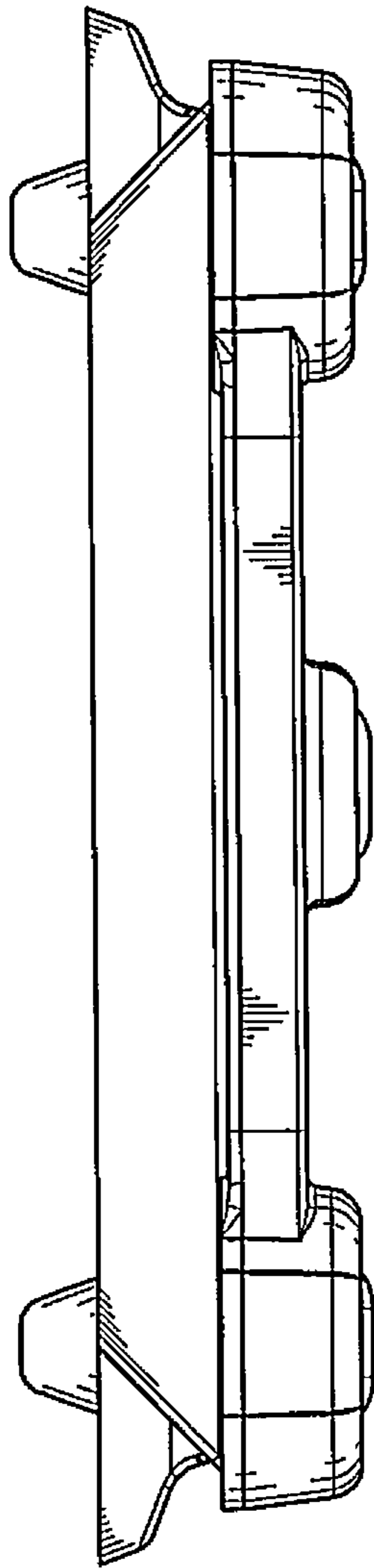


FIG. 13

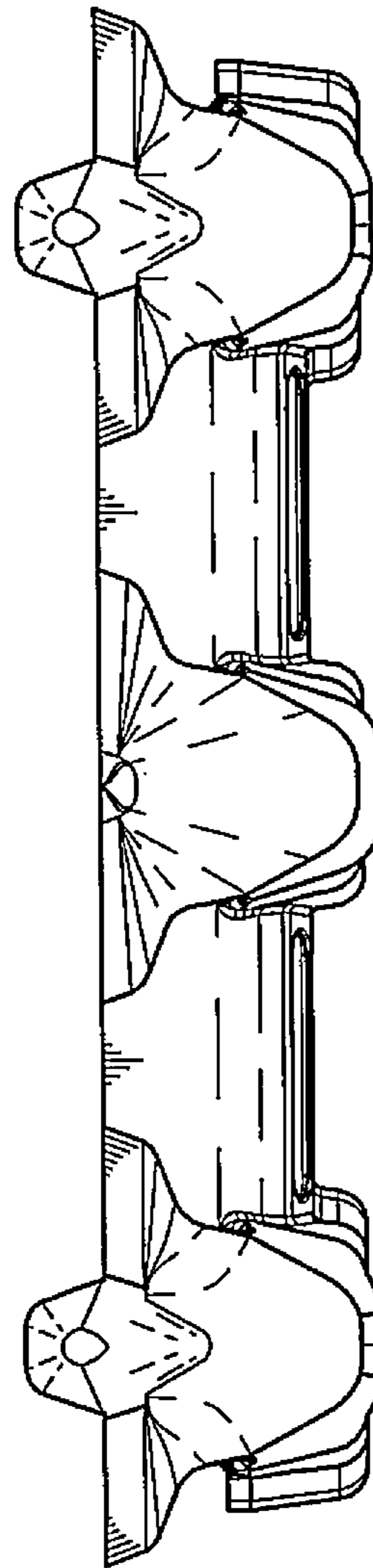


FIG. 14