



US00D746339S

(12) **United States Design Patent**  
**Hodgkiss**

(10) **Patent No.:** **US D746,339 S**

(45) **Date of Patent:** **\*\* Dec. 29, 2015**

(54) **COMBINED SORTING AND CLASSIFYING MACHINE**

(71) Applicant: **BUHLER SORTEX LTD**, London (GB)

(72) Inventor: **Douglas Howard Hodgkiss**, Surrey (GB)

(73) Assignee: **BUHLER SORTEX LTD**, London (GB)

(\*\*) Term: **14 Years**

(21) Appl. No.: **29/479,156**

(22) Filed: **Jan. 13, 2014**

(30) **Foreign Application Priority Data**

Jul. 11, 2013 (GB) ..... 4030731  
Oct. 3, 2013 (GB) ..... 4031953  
Oct. 3, 2013 (GB) ..... 4031954

(51) **LOC (10) Cl.** ..... **15-03**

(52) **U.S. Cl.**  
USPC ..... **D15/10; D15/122**

(58) **Field of Classification Search**  
USPC ..... D15/10, 122, 131, 147, 199; 209/908,  
209/546, 932, 580, 576, 644, 577, 587, 509,  
209/581, 582  
CPC ..... B07C 5/342; B07C 5/366; B07C 5/3416;  
B07C 5/3422; B07C 5/36; B07C 5/3425  
See application file for complete search history.

(56) **References Cited**

**U.S. PATENT DOCUMENTS**

4,718,558 A \* 1/1988 Castaneda ..... 209/546  
4,878,582 A \* 11/1989 Codding ..... 209/580

6,252,188 B1 \* 6/2001 Zapata et al. .... 209/577  
D556,795 S \* 12/2007 Bee ..... D15/122  
D560,233 S \* 1/2008 Bee ..... D15/122  
D651,222 S \* 12/2011 Hodgkiss ..... D15/122  
D681,063 S \* 4/2013 Kanemoto et al. .... D15/10  
2015/0076042 A1 \* 3/2015 Miyamoto et al. .... 209/580

\* cited by examiner

*Primary Examiner* — Cynthia Ramirez

(74) *Attorney, Agent, or Firm* — Renner, Otto, Boisselle & Sklar, LLP

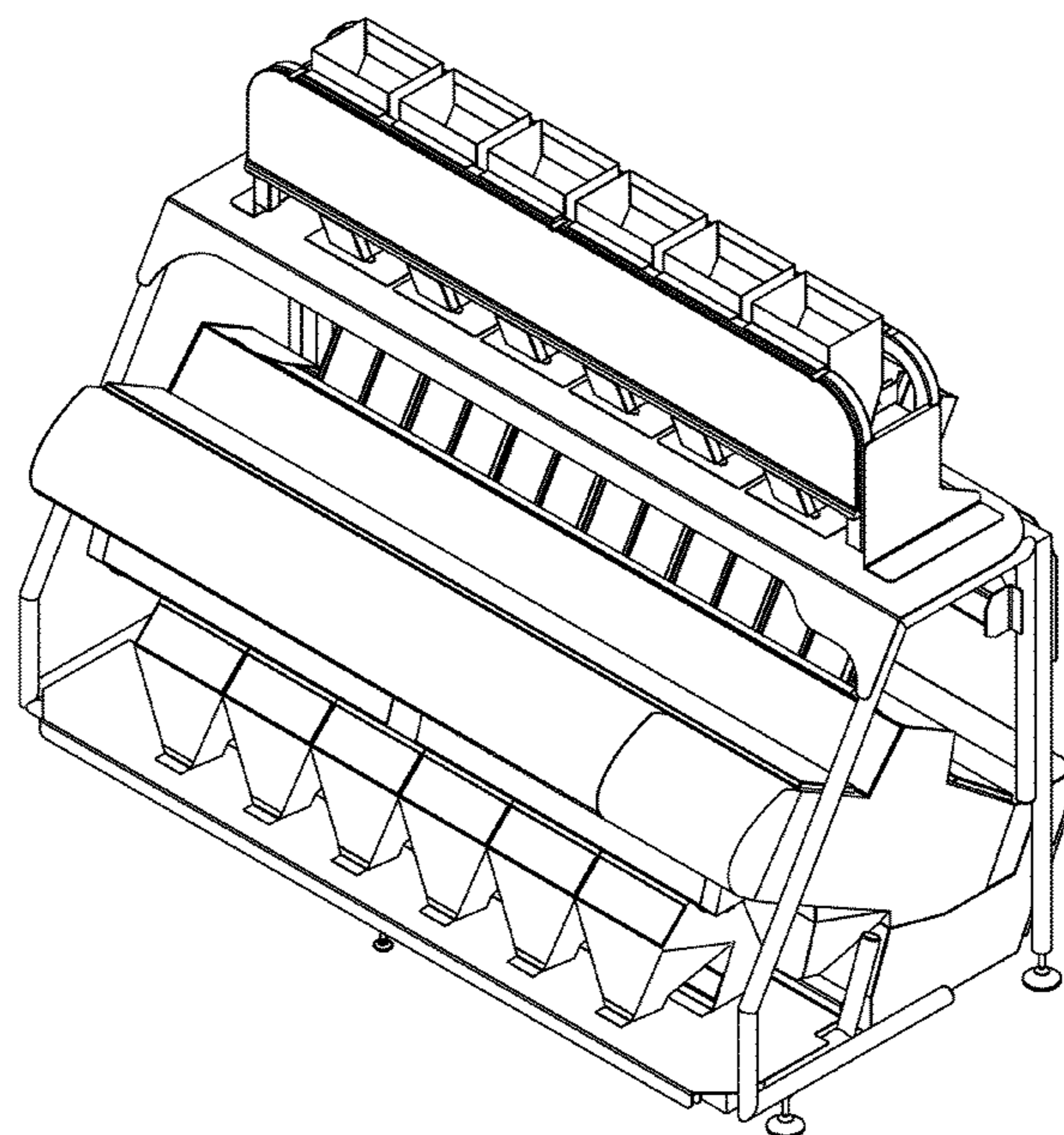
(57) **CLAIM**

The ornamental design for a combined sorting and classifying machine, as shown and described.

**DESCRIPTION**

FIG. 1 is a perspective view of a combined sorting and classifying machine showing my new design;  
FIG. 2 is a front view thereof;  
FIG. 3 is a rear view thereof;  
FIG. 4 is a right side view thereof;  
FIG. 5 is a left side view thereof;  
FIG. 6 is a top view thereof;  
FIG. 7 is a bottom view thereof;  
FIG. 8 is a perspective view of a second embodiment of a combined sorting and classifying machine showing my design;  
FIG. 9 is a front view thereof;  
FIG. 10 is a rear view thereof;  
FIG. 11 is a right side view thereof;  
FIG. 12 is a left side view thereof;  
FIG. 13 is a top view thereof; and,  
FIG. 14 is a bottom view thereof.

**1 Claim, 14 Drawing Sheets**



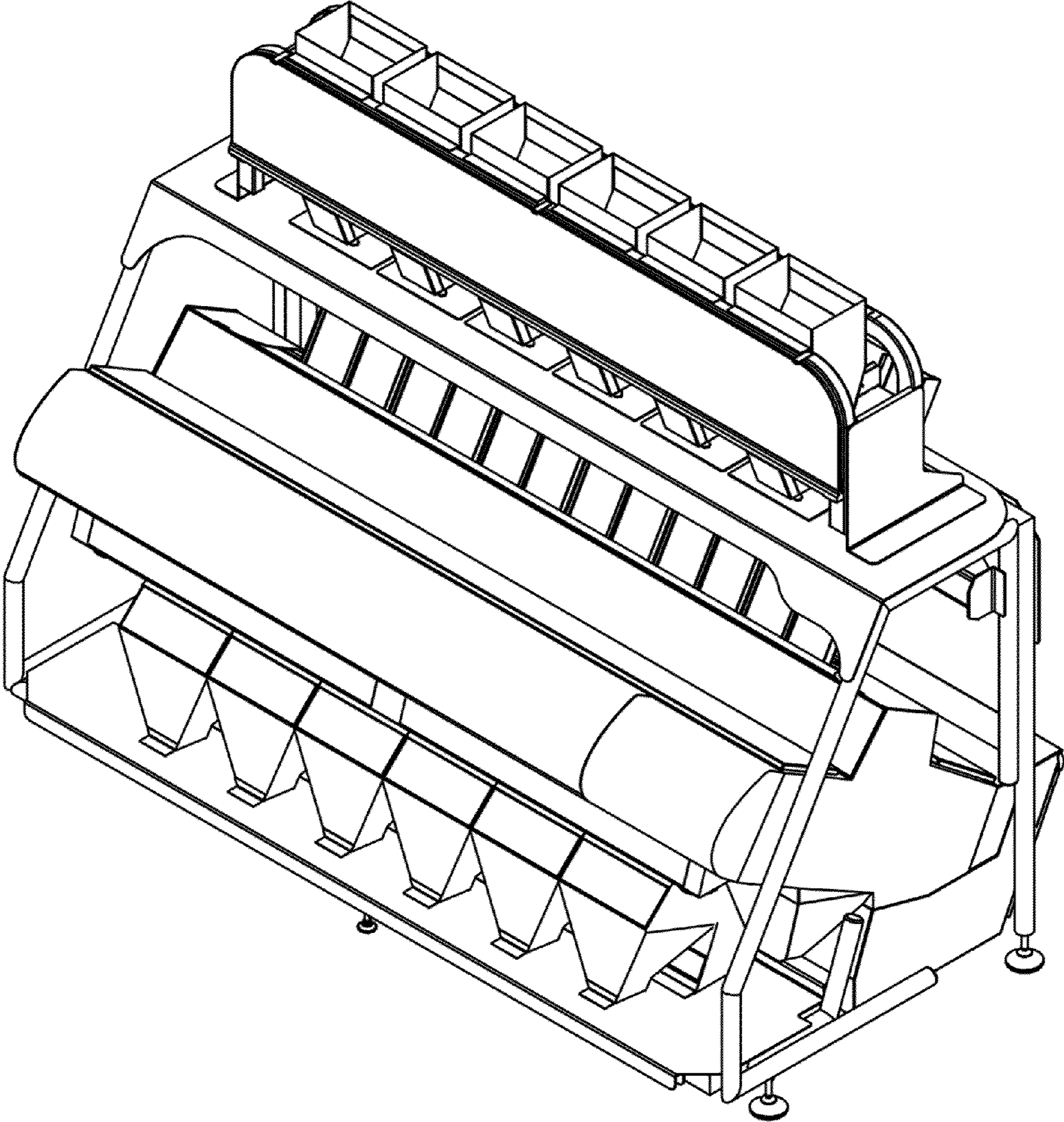


Fig. 1

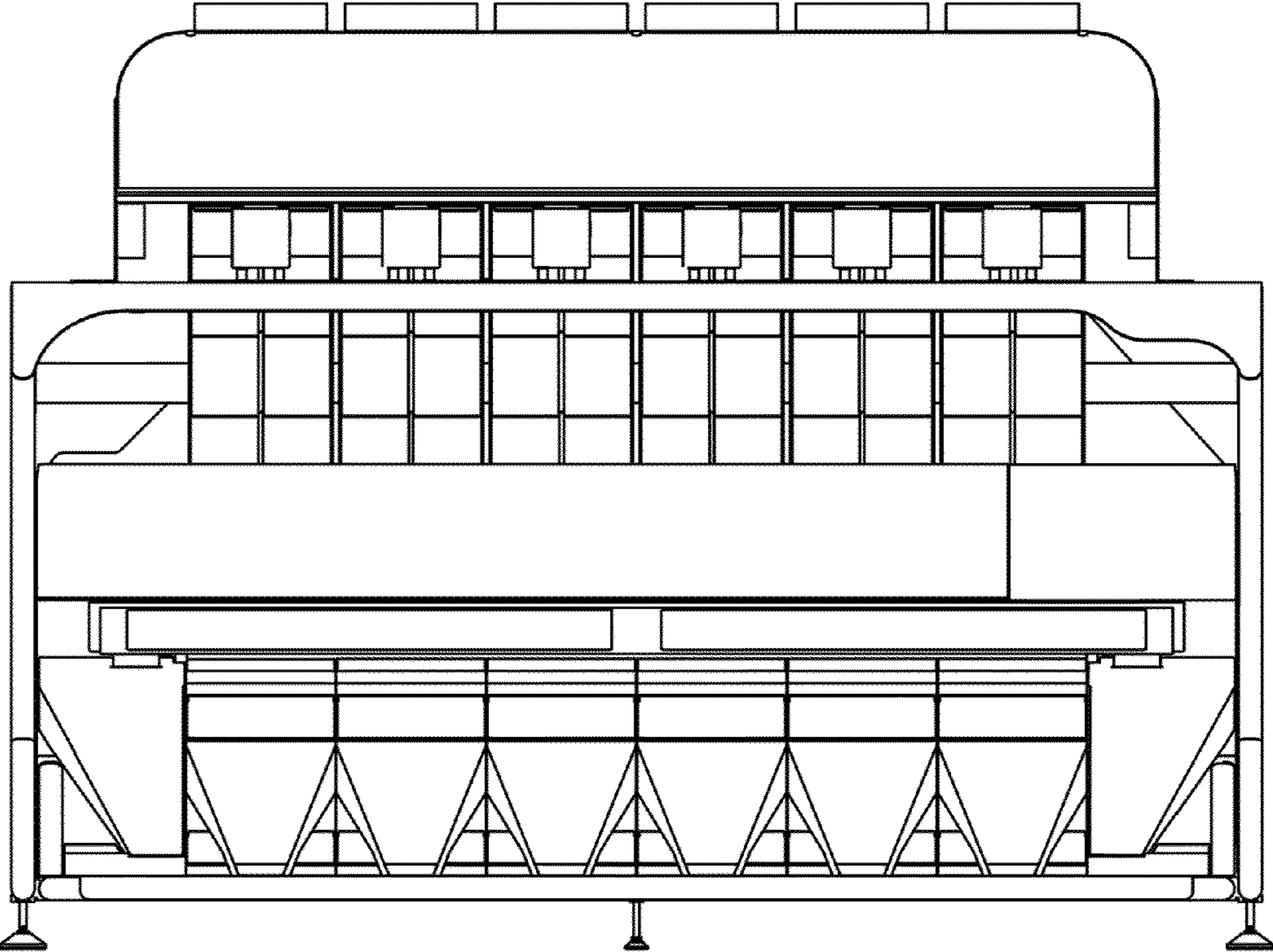


Fig. 2

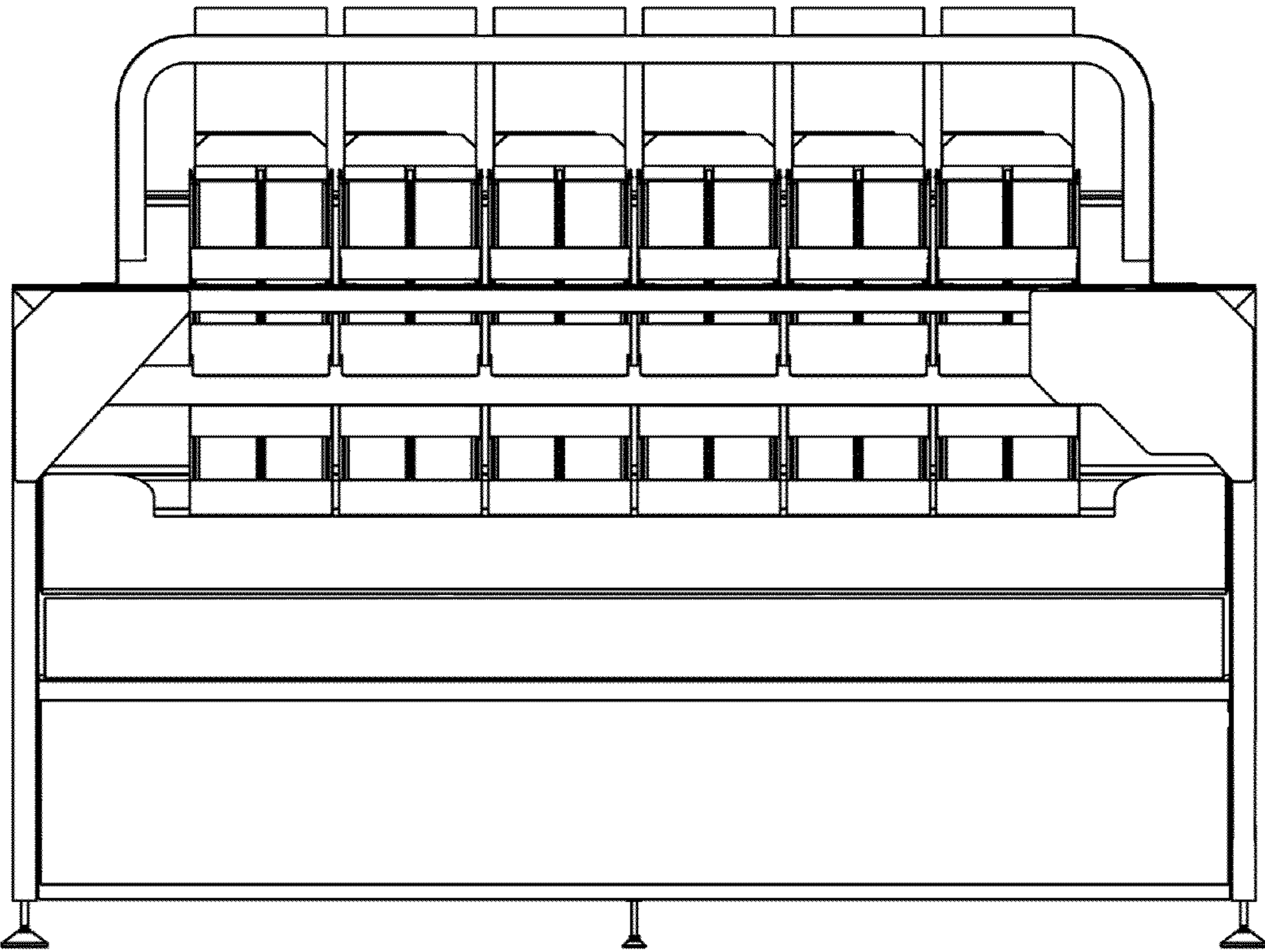


Fig. 3

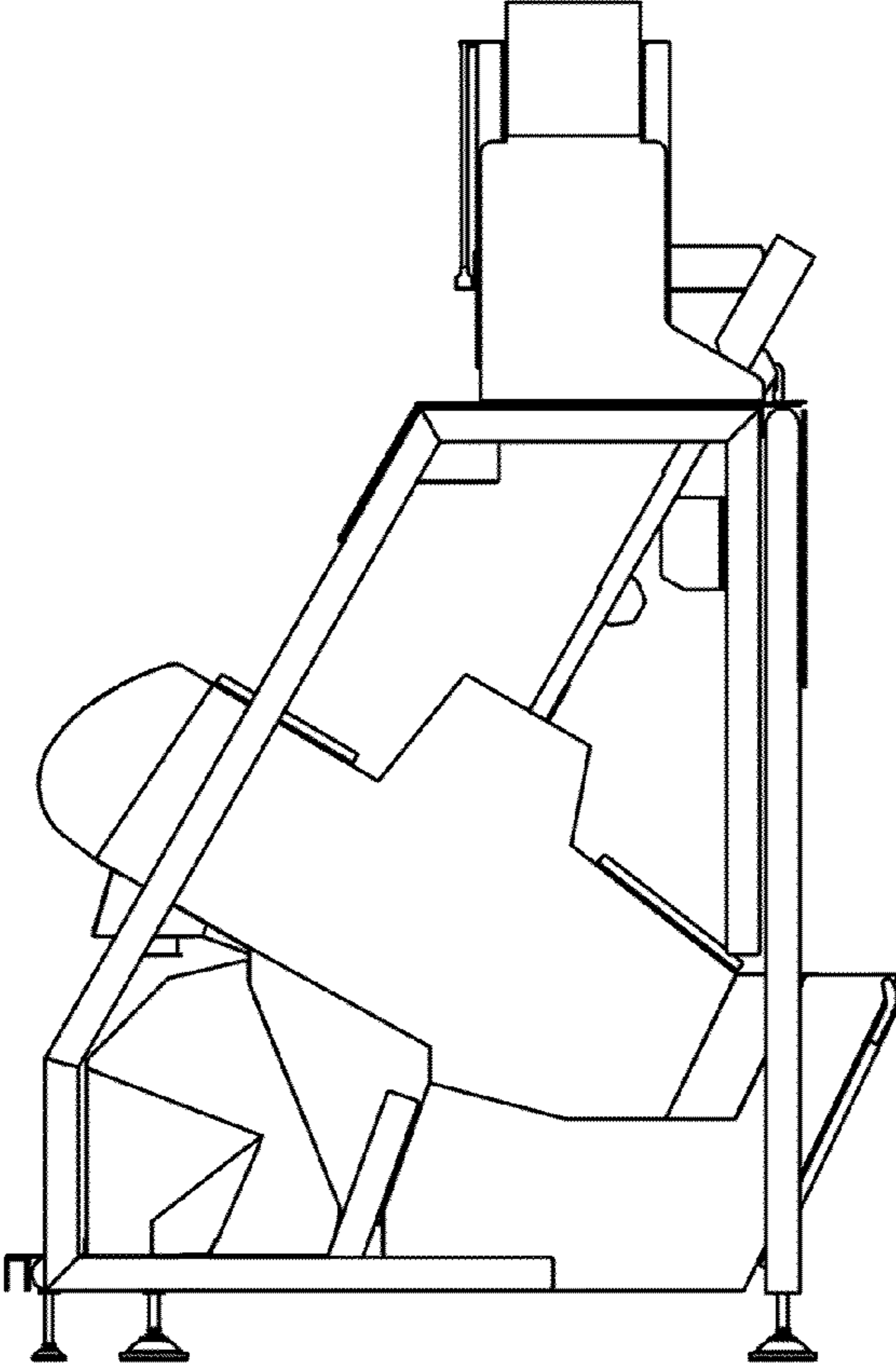


Fig. 4

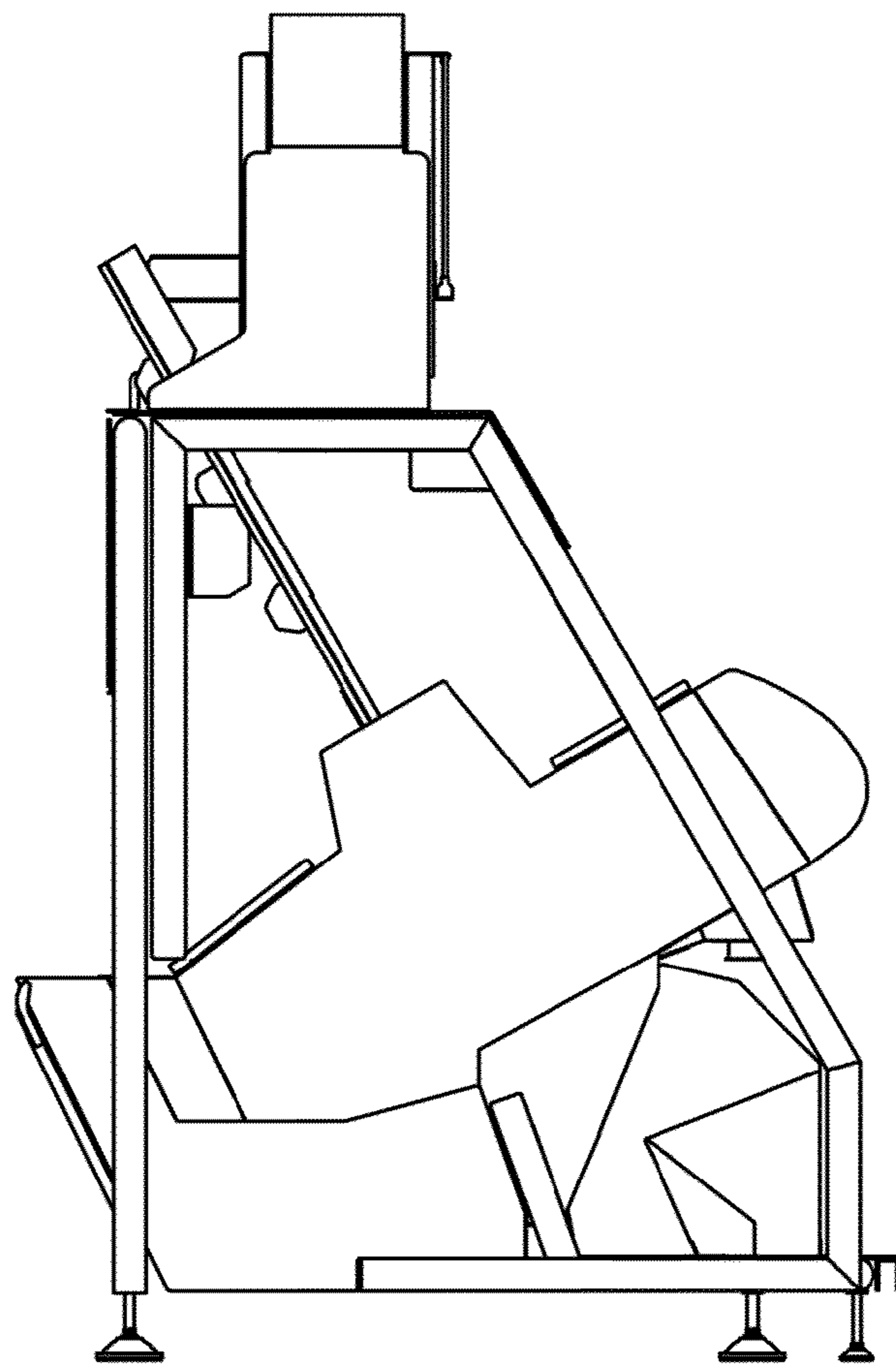


Fig. 5

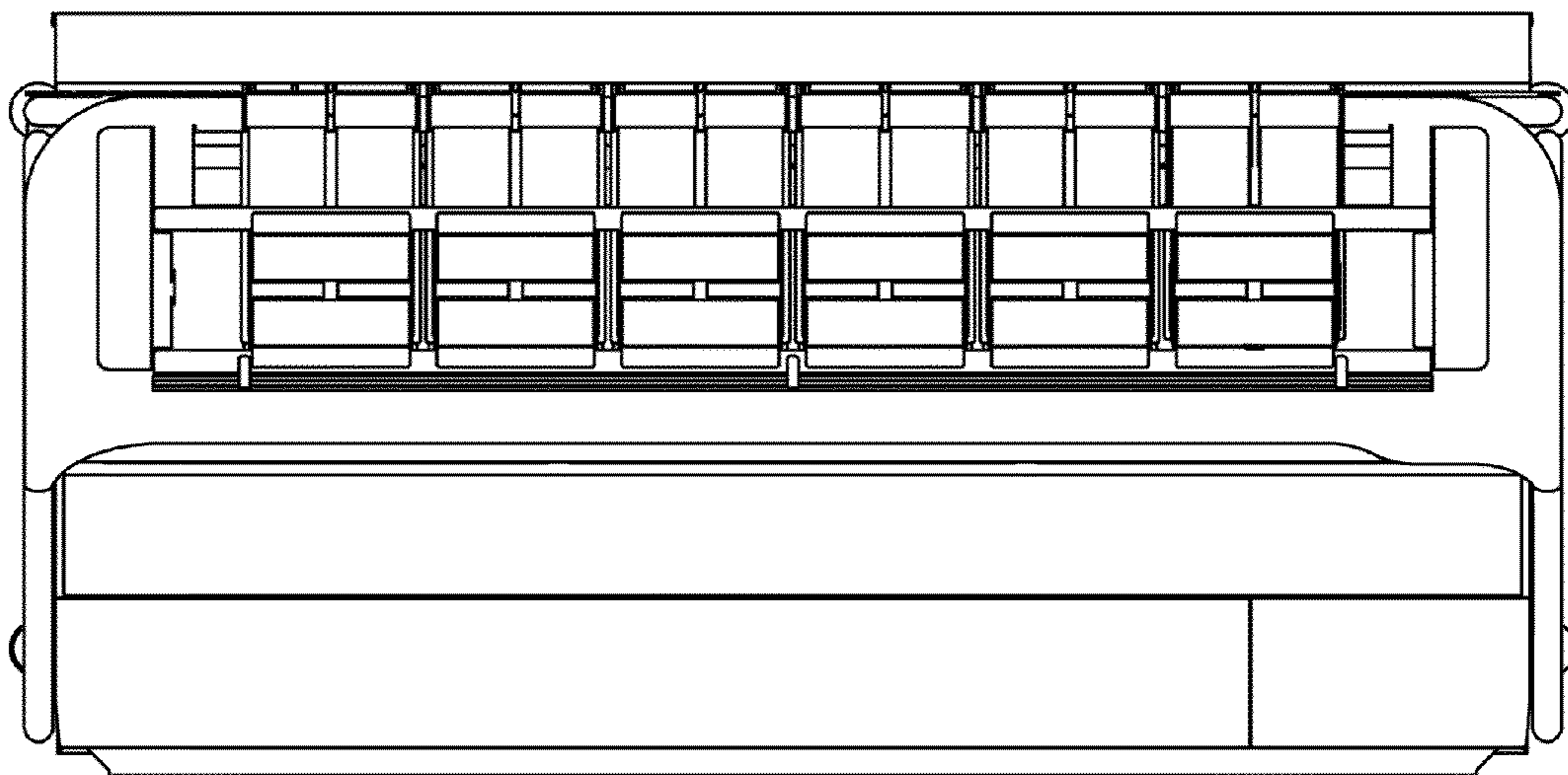


Fig. 6

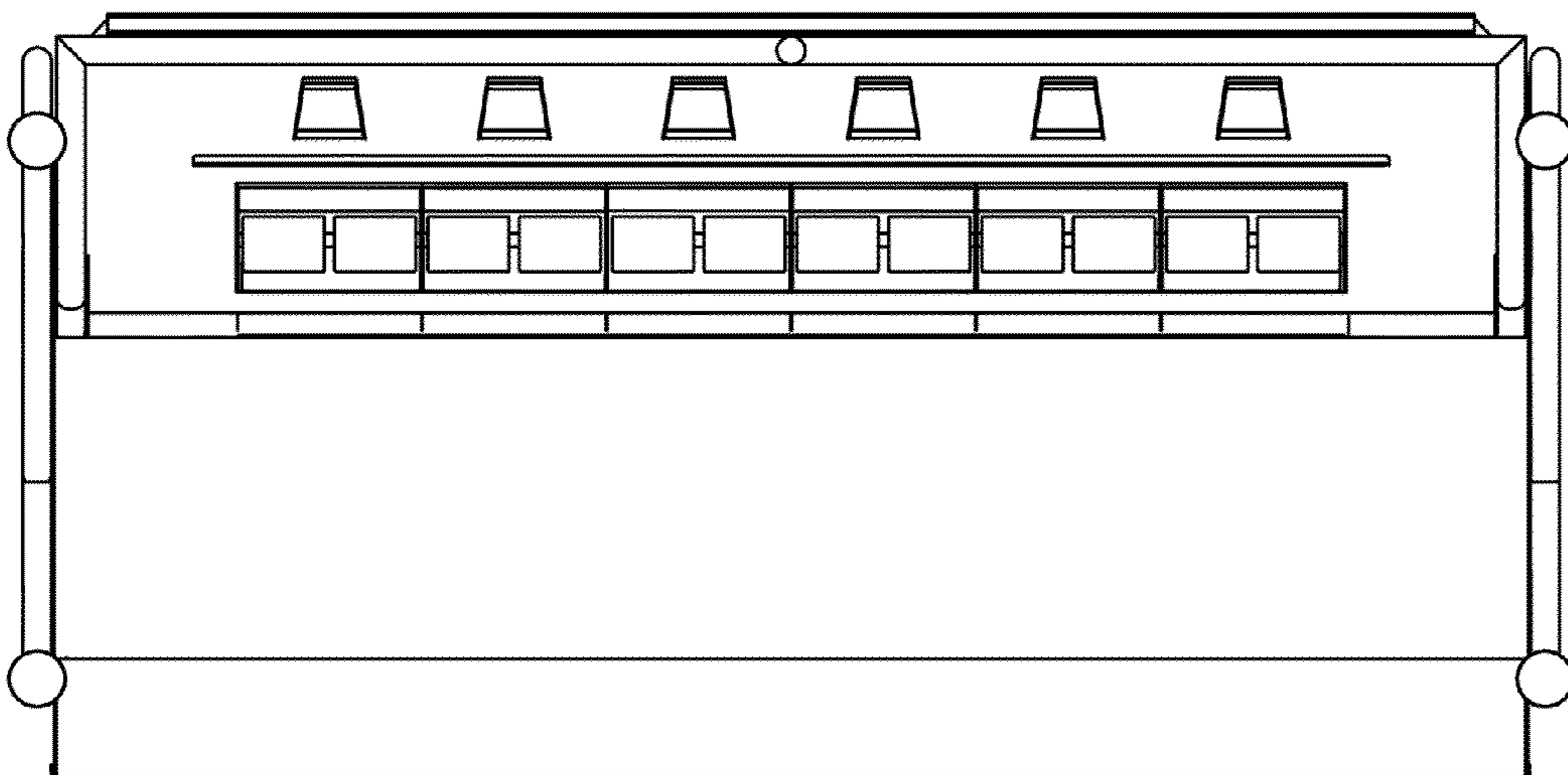


Fig. 7



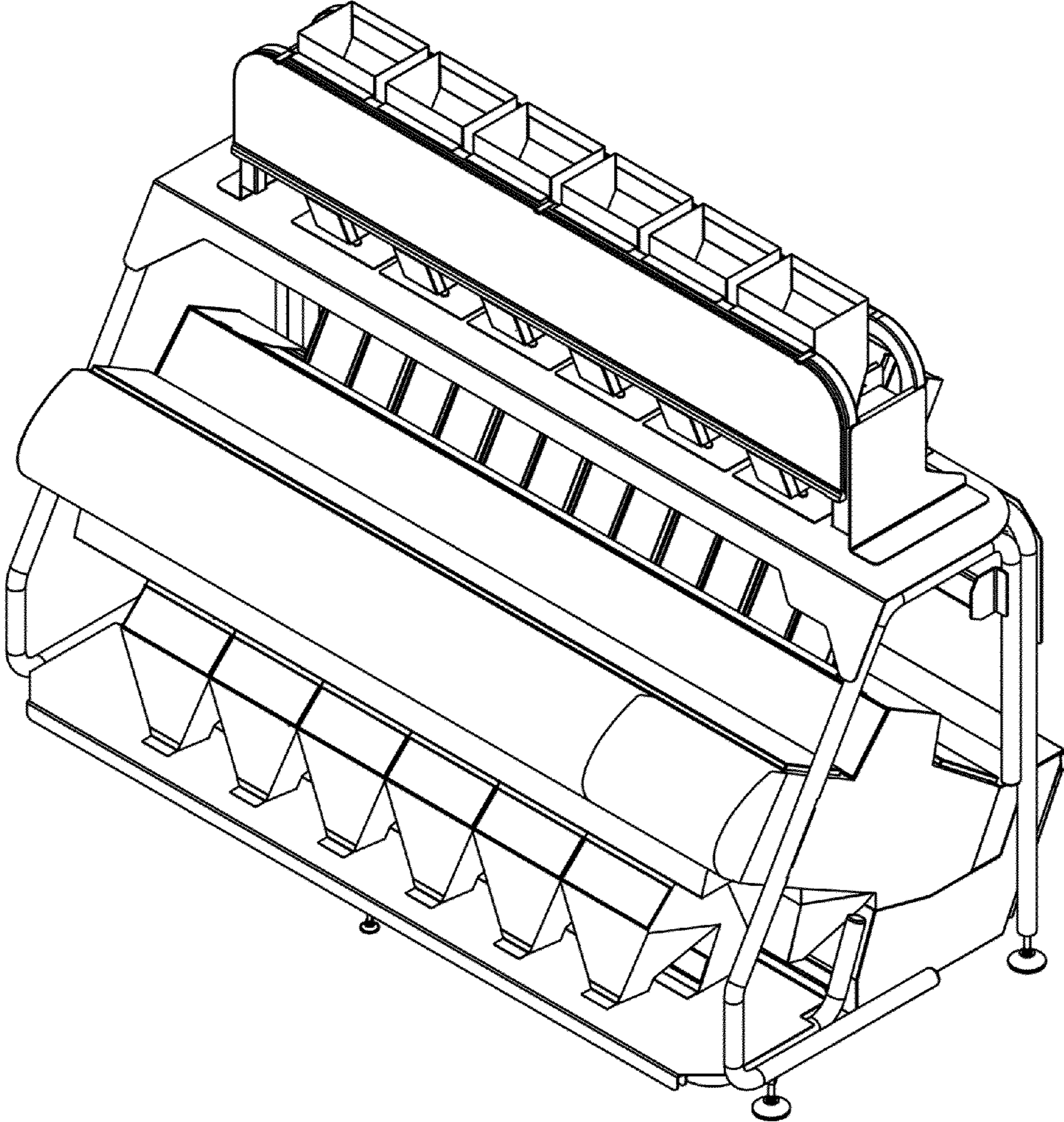


Fig. 8

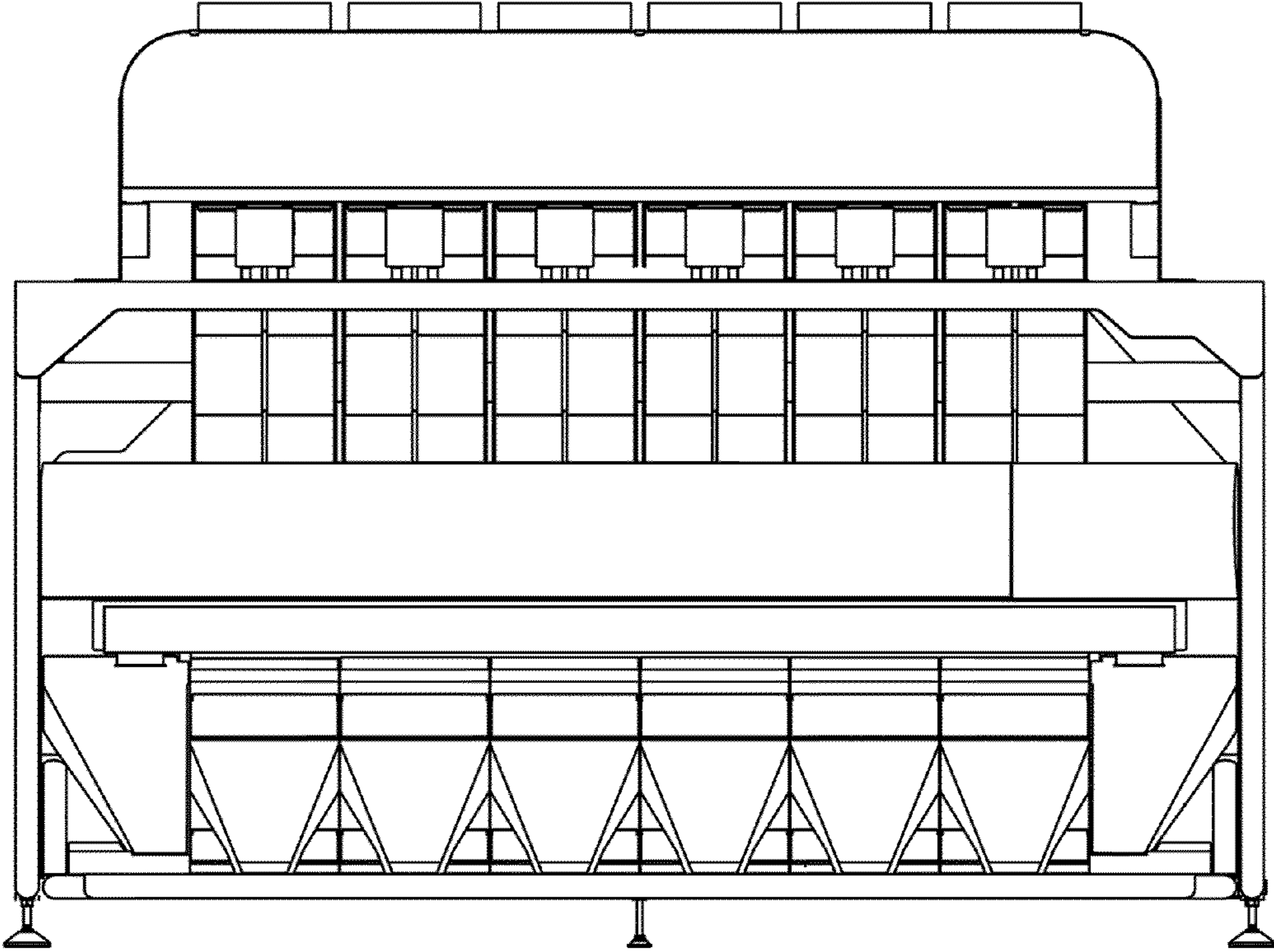


Fig. 9

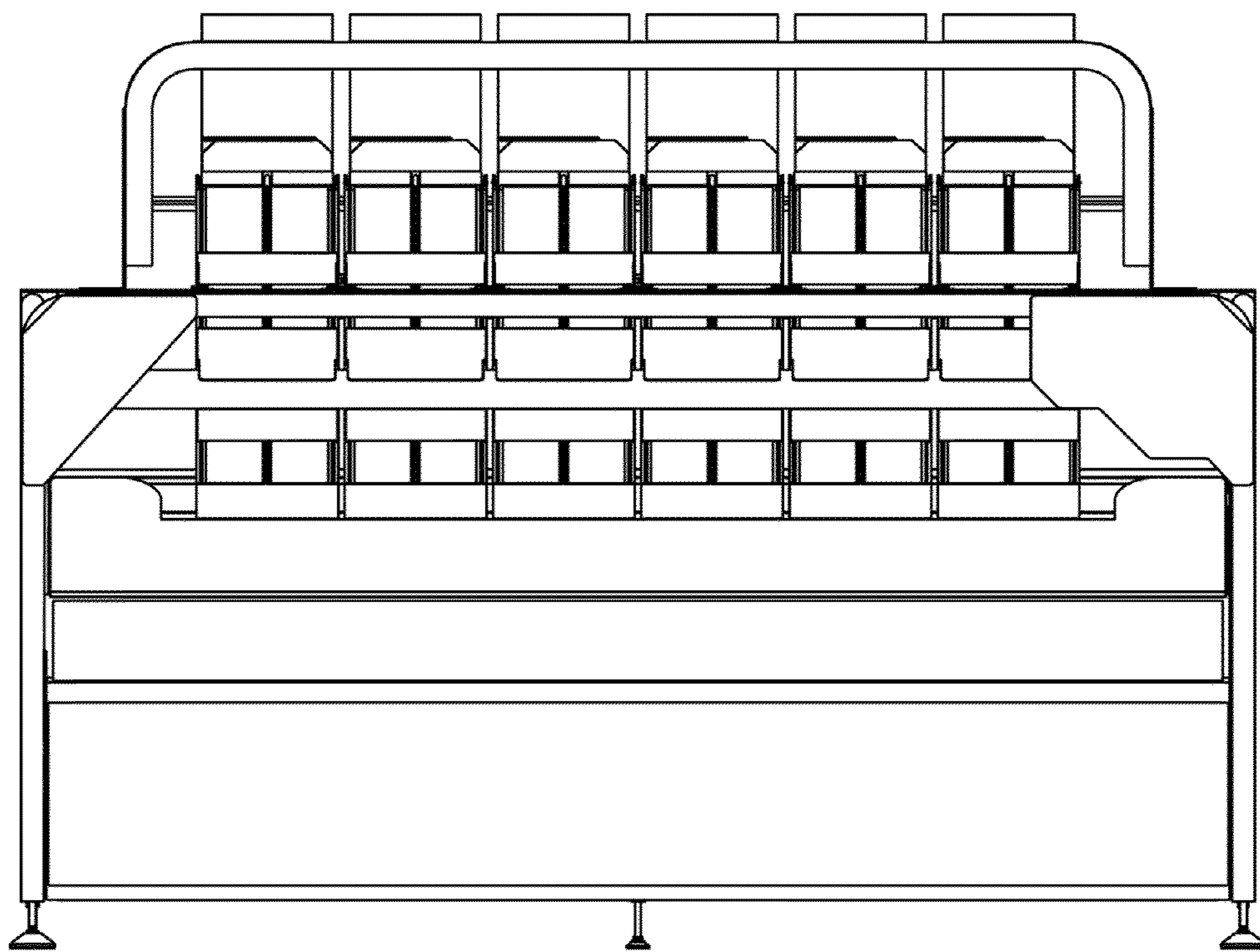


Fig. 10

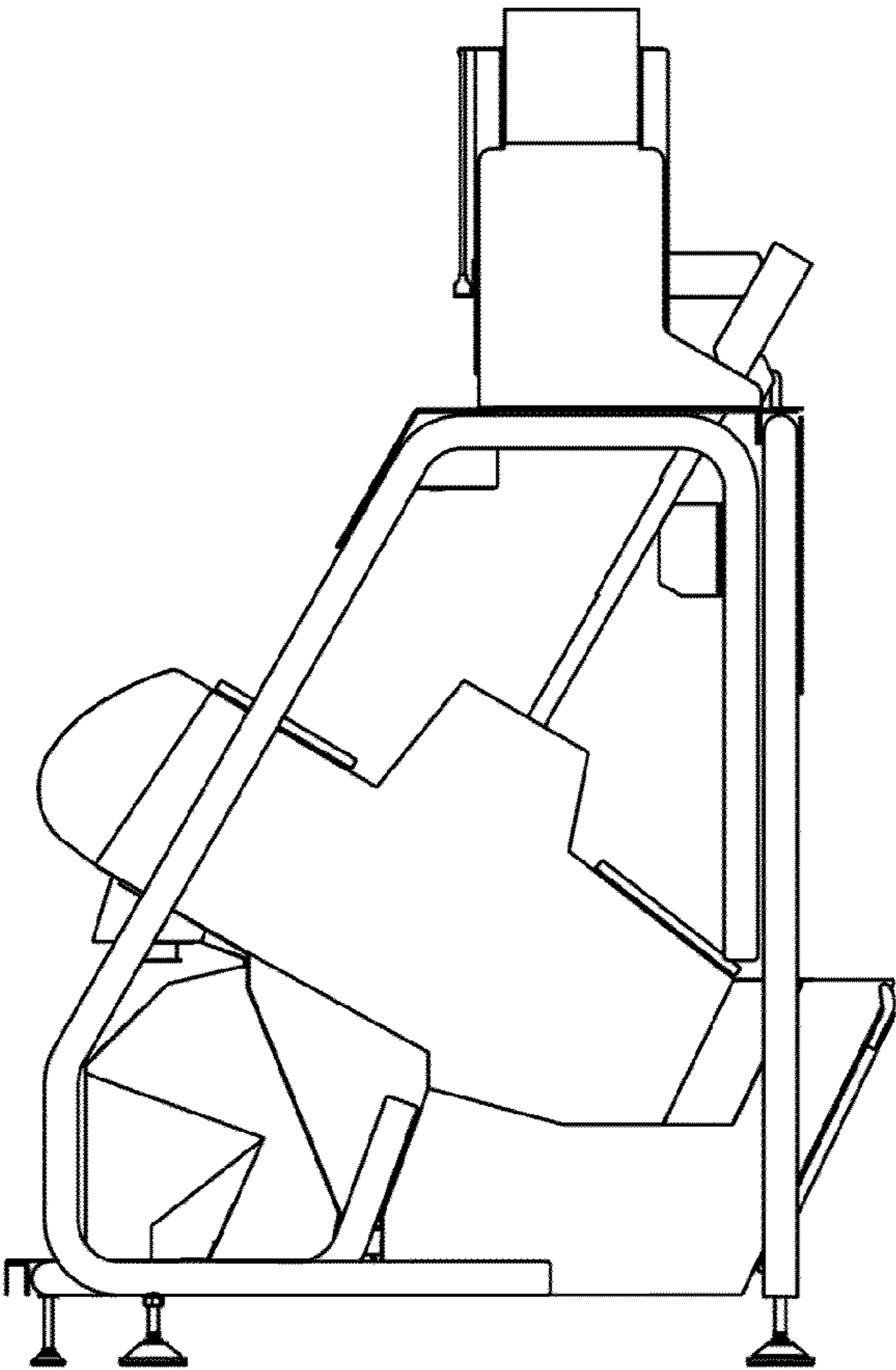


Fig. 11

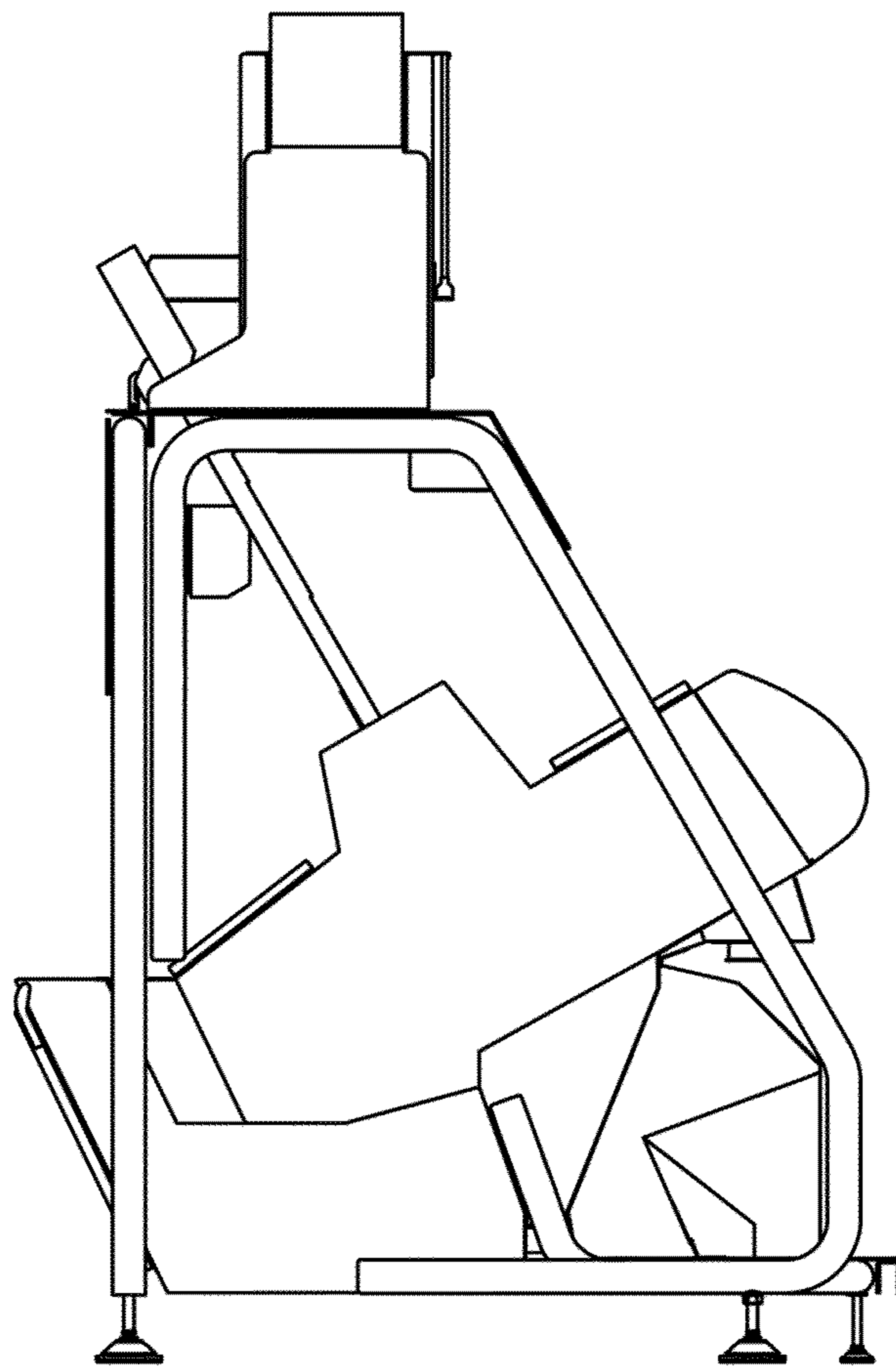


Fig. 12

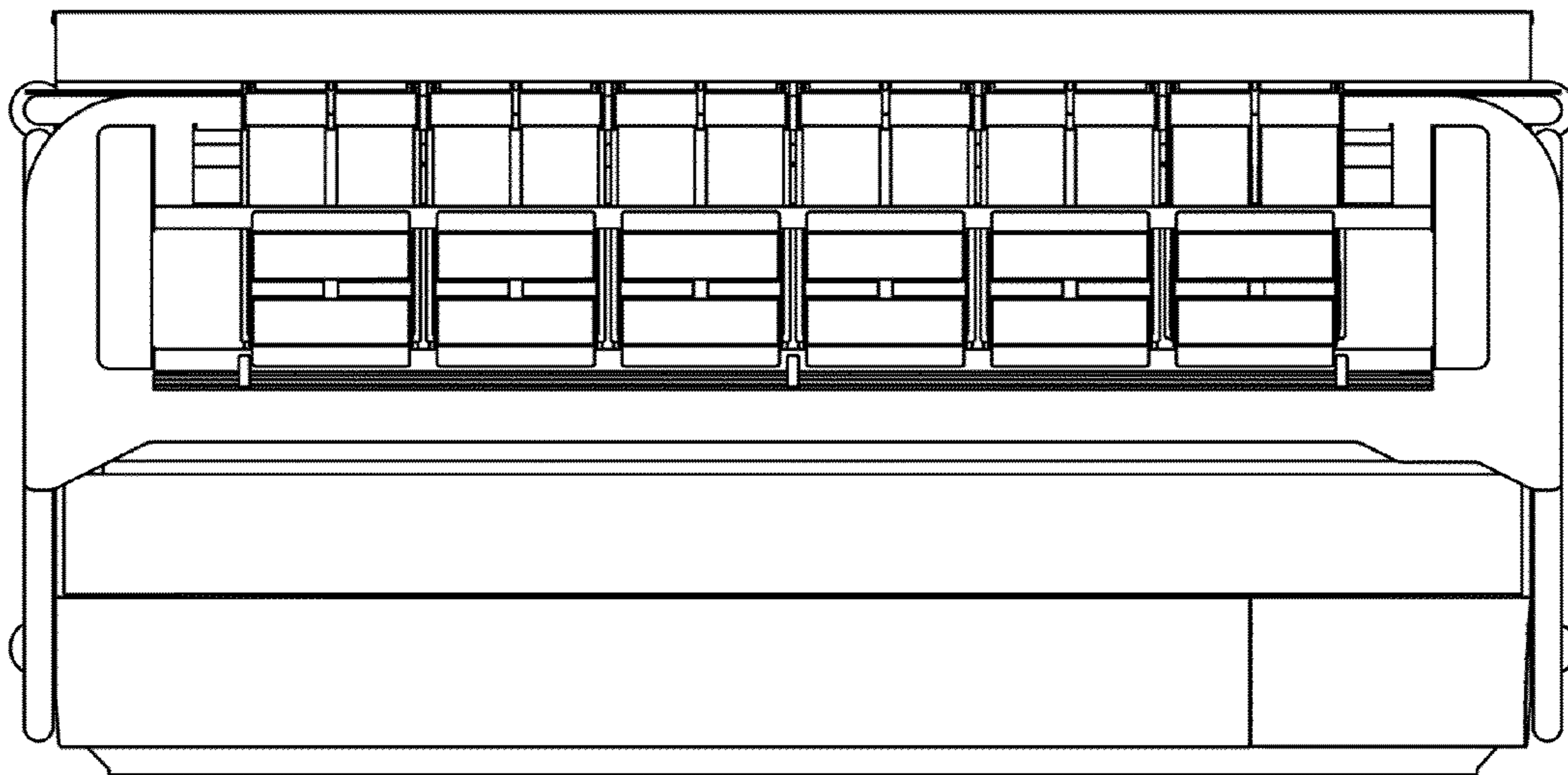


Fig. 13

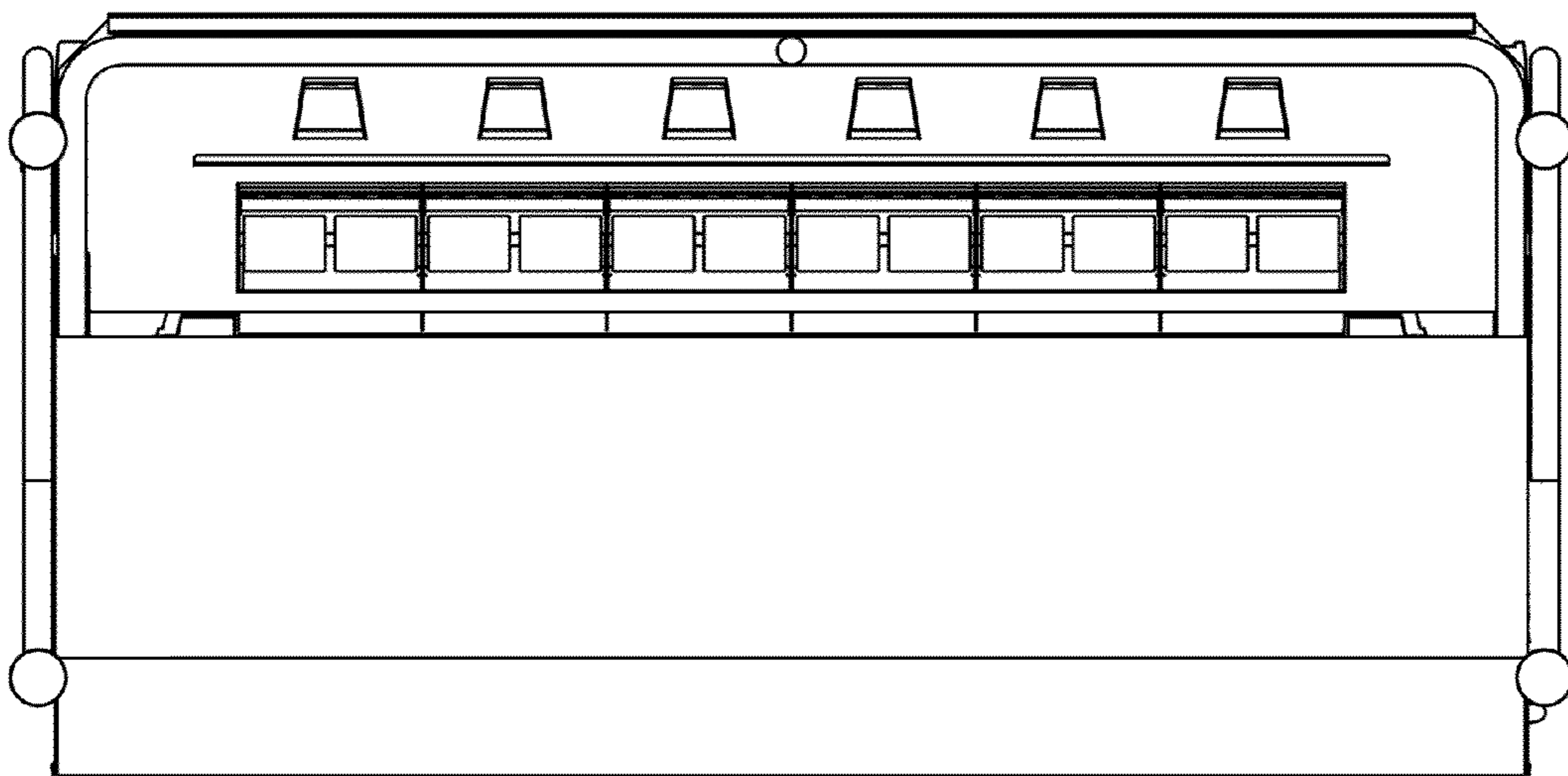


Fig. 14