



US00D746329S

(12) **United States Design Patent**
Boot et al.

(10) **Patent No.:** **US D746,329 S**

(45) **Date of Patent:** **** Dec. 29, 2015**

(54) **DISPLAY SCREEN OR PORTION THEREOF WITH ICON**

D733,751 S * 7/2015 Kim et al. D14/491
2013/0342623 A1 12/2013 Boot et al.
2013/0342856 A1 12/2013 Boot et al.

(71) Applicant: **Sanford, L.P.**, Oak Brook, IL (US)

FOREIGN PATENT DOCUMENTS

(72) Inventors: **Bram Boot**, Borgerhout (BE); **Stephen C. Gohde**, Atlanta, GA (US); **Stephen Spencer**, Atlanta, GA (US); **Robby Carlier**, Bredene (BE)

CN 103543968 1/2014
EP 2 676 798 A1 12/2013
JP 2014004833 1/2014

OTHER PUBLICATIONS

(73) Assignee: **Sanford, L.P.**, Oak Brook, IL (US)

Icons on packaging of Rhino 6000, available as early as Dec. 20, 2013.

(**) Term: **14 Years**

DYMO label software <<http://www.dymo-label-printers.co.uk/news/wp-content/uploads/2011/09/dymo-labelwriter-software-built-in-templates.png>> available as early as Dec. 20, 2013.

(21) Appl. No.: **29/477,348**

DYMO label software <http://www.labelwriter.com/images/how_to/LabelDesigner1.jpg> available as early as Dec. 20, 2013.

(22) Filed: **Dec. 20, 2013**

(Continued)

(51) **LOC (10) Cl.** **14-04**

(52) **U.S. Cl.**
USPC **D14/489**

(58) **Field of Classification Search**
USPC D14/485-495
CPC G06F 3/04815; G06F 3/04817; G06F 3/0483; G06F 3/0482; G06F 3/0484
See application file for complete search history.

Primary Examiner — Angela J Lee

(74) *Attorney, Agent, or Firm* — Saidman DesignLaw Group, LLC

(57) **CLAIM**

The ornamental design for an display screen or portion thereof with icon, as shown and described.

(56) **References Cited**

DESCRIPTION

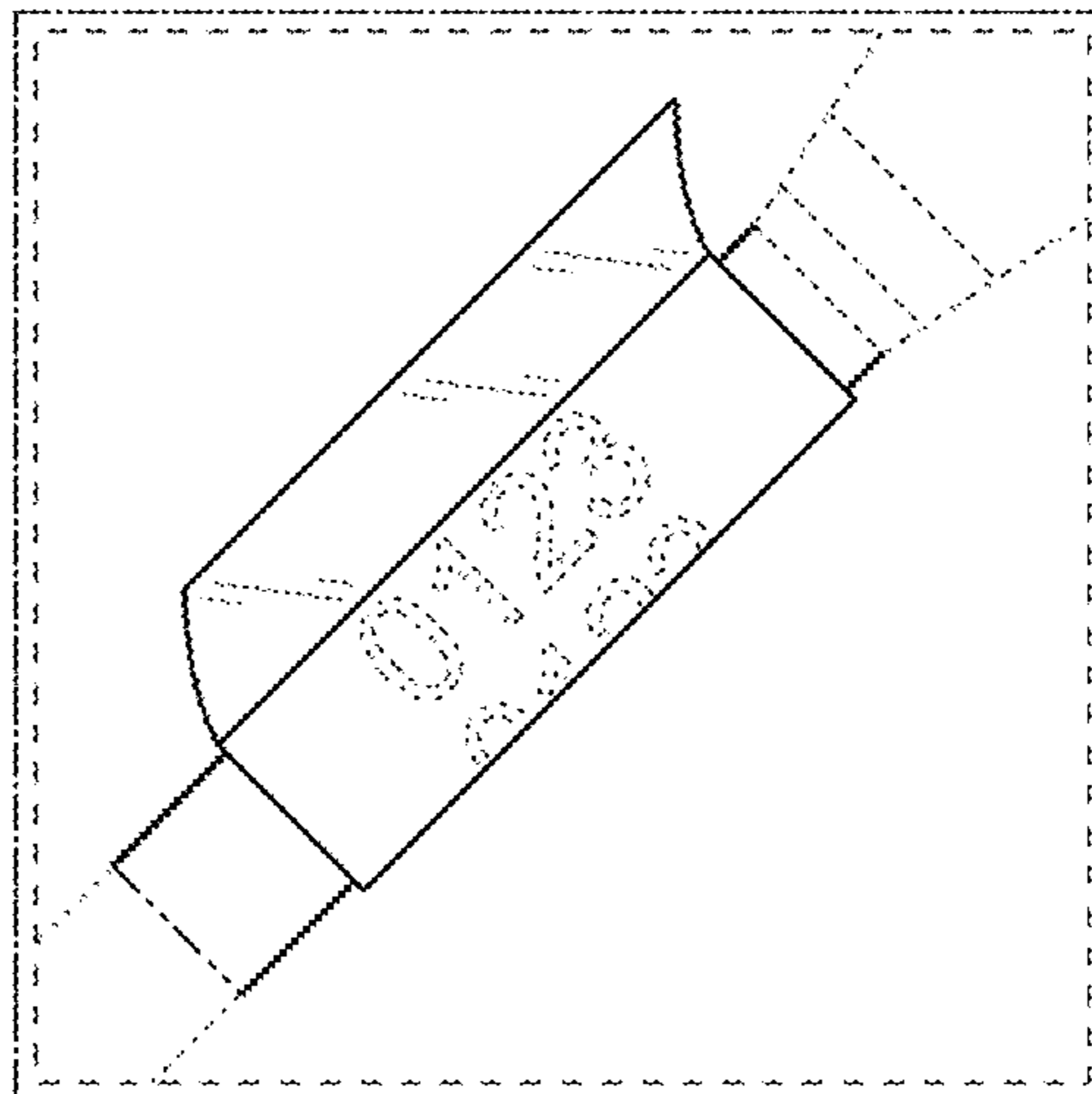
U.S. PATENT DOCUMENTS

D593,108 S * 5/2009 Danton D14/485
D598,028 S * 8/2009 Motouji et al. D14/489
D638,437 S * 5/2011 Cavanaugh et al. D14/488
D653,674 S * 2/2012 Bechtold et al. D14/492
D667,434 S * 9/2012 Phelan D14/491
D667,448 S * 9/2012 Phelan D14/492
D683,761 S * 6/2013 Ridl et al. D14/489
D687,846 S * 8/2013 Jou D14/486
D687,847 S * 8/2013 Jou D14/486
D689,510 S * 9/2013 Rodrigues et al. D14/486
D694,256 S * 11/2013 Beger et al. D14/486
D710,372 S * 8/2014 Dellinger et al. D14/486

The sole FIGURE shows a display screen or portion thereof with icon showing our new design.

The short dashed broken lines represent elements of our design that form no part of the claimed design; the longer dashed broken lines represent unclaimed edges of the icon; the dot-dash broken lines surrounding the edges of the icon represent an unclaimed boundary of the display screen or portion thereof; the dot-dot-dash broken lines within the edges of the icon represent an unclaimed boundary; the broken lines themselves form no part of the claimed design.

1 Claim, 1 Drawing Sheet



(56)

References Cited

OTHER PUBLICATIONS

DYMO label software <http://img.informer.com/screenshots/3641/3641807_1.png> available as early as Dec. 20, 2013.

U.S. Appl. No. 61/787,623 of Ron Jacobs for “User Interface for Label Printer”, filed Mar. 15, 2013.

Design U.S. Appl. No. 29/477,352 of Bram Boot for “Display Screen or Portion Thereof With Icons”, filed Dec. 20, 2013.

Design U.S. Appl. No. 29/477,304 of Bram Boot for “Display Screen or Portion Thereof With Graphical User Interface”, filed Dec. 20, 2013.

Design U.S. Appl. No. 29/477,346 of Bram Boot for “Display Screen or Portion Thereof With Icon”, filed Dec. 20, 2013.

Design U.S. Appl. No. 29/477,349 of Bram Boot for “Display Screen or Portion Thereof With Icon”, filed Dec. 20, 2013.

Design U.S. Appl. No. 29/477,360 of Bram Boot for “Display Screen or Portion Thereof With Icon”, filed Dec. 20, 2013.

Design U.S. Appl. No. 29/477,307 of Bram Boot for “Display Screen or Portion Thereof With Animated Graphical User Interface”, filed Dec. 20, 2013.

Design U.S. Appl. No. 29/477,354 of Bram Boot for “Display Screen or Portion Thereof With Graphical User Interface”, filed Dec. 20, 2013.

Design U.S. Appl. No. 29/477,347 of Bram Boot for “Display Screen or Portion Thereof With Animated Graphical User Interface”, filed Dec. 20, 2013.

* cited by examiner

