



US00D746292S

(12) **United States Design Patent**
Heckler

(10) **Patent No.:** **US D746,292 S**
(45) **Date of Patent:** **** Dec. 29, 2015**

- (54) **TABLET COMPUTER STAND**
- (71) Applicant: **Hecktech, Inc.**, Phoenix, AZ (US)
- (72) Inventor: **Dean Heckler**, Phoenix, AZ (US)
- (73) Assignee: **HECKTECH, INC.**, Phoenix, AZ (US)
- (**) Term: **14 Years**
- (21) Appl. No.: **29/513,999**
- (22) Filed: **Jan. 7, 2015**
- (51) **LOC (10) Cl.** **14-04**
- (52) **U.S. Cl.**
USPC **D14/447**
- (58) **Field of Classification Search**
USPC D14/447, 432, 434, 439, 440, 451, 452,
D14/457, 250, 251, 253; D3/218; D6/406.3,
D6/406.4, 406.5, 406.6
CPC A45C 2011/003; A45C 2011/002;
A45C 13/002; A47B 2023/049; A47B
2097/005; A47B 2097/006; A47B 21/04;
A47B 23/00; A47B 23/043; A47B 2021/0307;
A47B 2023/005; F16M 2200/00; H04B
1/3888; H04M 1/04; H04M 1/185
See application file for complete search history.

- D705,234 S * 5/2014 Guran D14/447
- D707,229 S * 6/2014 Almodova D14/440
- D707,685 S * 6/2014 Johnson D14/447
- D718,770 S * 12/2014 Specht D14/447
- D721,710 S * 1/2015 Messing D14/447
- D726,730 S * 4/2015 Mahmood D14/440

* cited by examiner

Primary Examiner — Angela J Lee

(74) *Attorney, Agent, or Firm* — Hartman Titus PLC; John D. Titus

(57) **CLAIM**

The ornamental design for a tablet computer stand, as shown and described.

DESCRIPTION

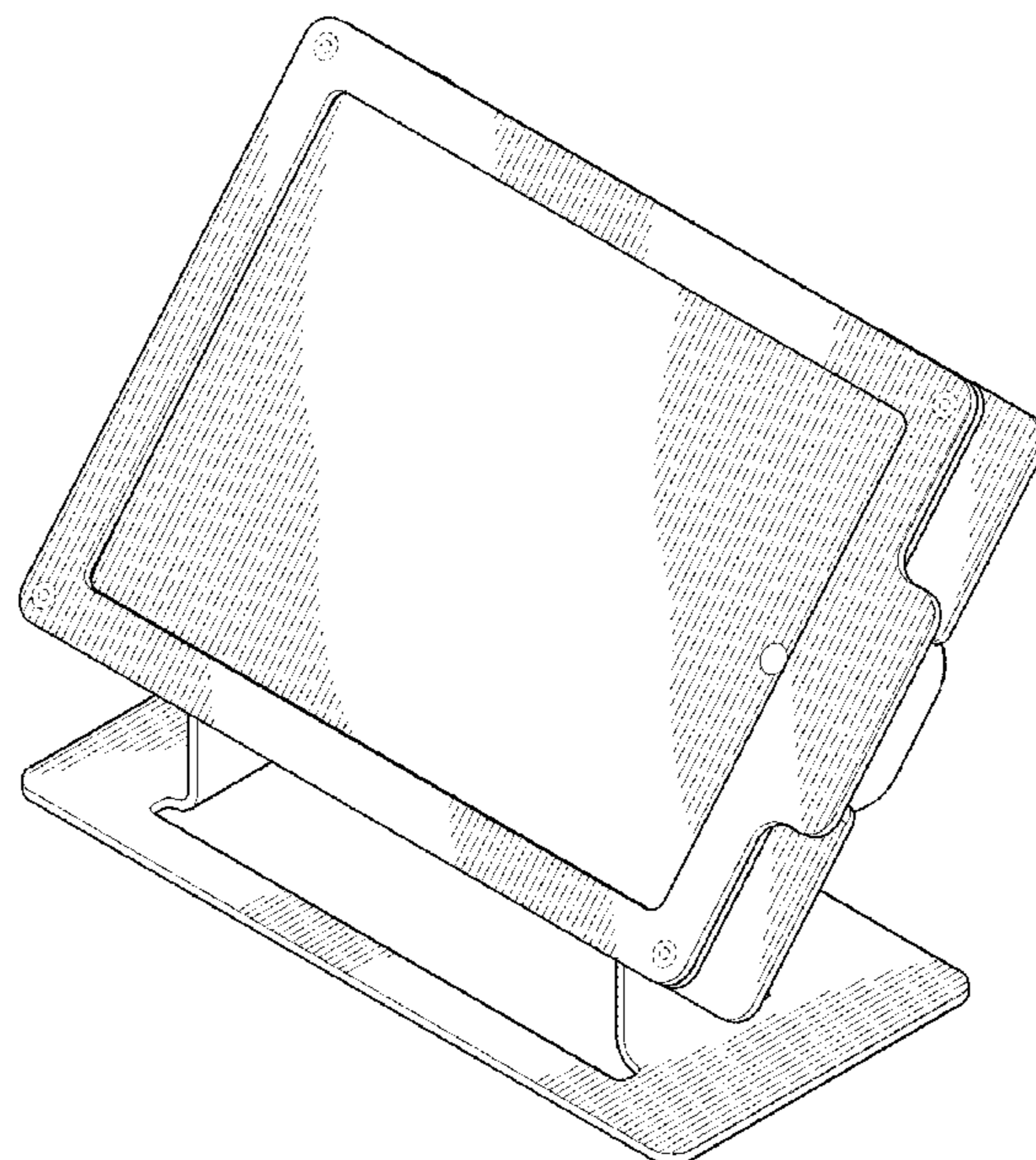
FIG. 1 is a front perspective view of a tablet computer stand showing my new design;
 FIG. 2 is a front view of the tablet computer stand shown in FIG. 1;
 FIG. 3 is a rear view of the tablet computer stand shown in FIG. 1;
 FIG. 4 is a bottom view of the tablet computer stand shown in FIG. 1;
 FIG. 5 is a bottom view of the tablet computer stand shown in FIG. 1;
 FIG. 6 is a left side view of the tablet computer stand shown in FIG. 1; and,
 FIG. 7 is a right side view of the tablet computer stand shown in FIG. 1.
 The broken lines shown in the drawings represent portions of the tablet computer stand that form no part of the claimed design.

1 Claim, 4 Drawing Sheets

(56) **References Cited**

U.S. PATENT DOCUMENTS

- D636,778 S * 4/2011 Corsini D13/107
- D676,449 S * 2/2013 Probst D14/440
- D677,668 S * 3/2013 Phillips D14/440
- D678,886 S * 3/2013 Heckler D14/447
- D687,441 S * 8/2013 Janzen D14/447
- D687,832 S * 8/2013 Edwards D14/447
- D688,673 S * 8/2013 Haller D14/451



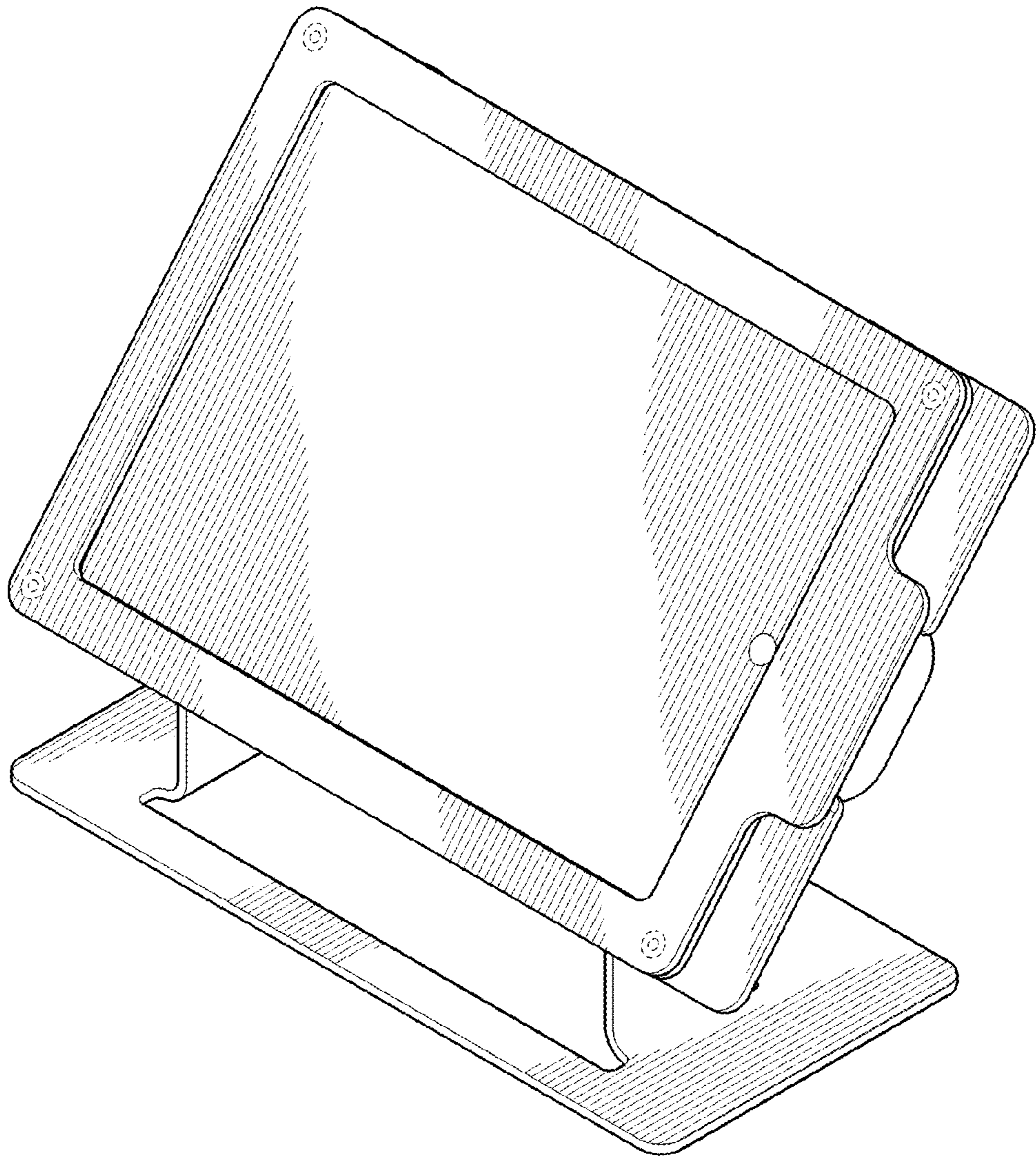


Fig. 1

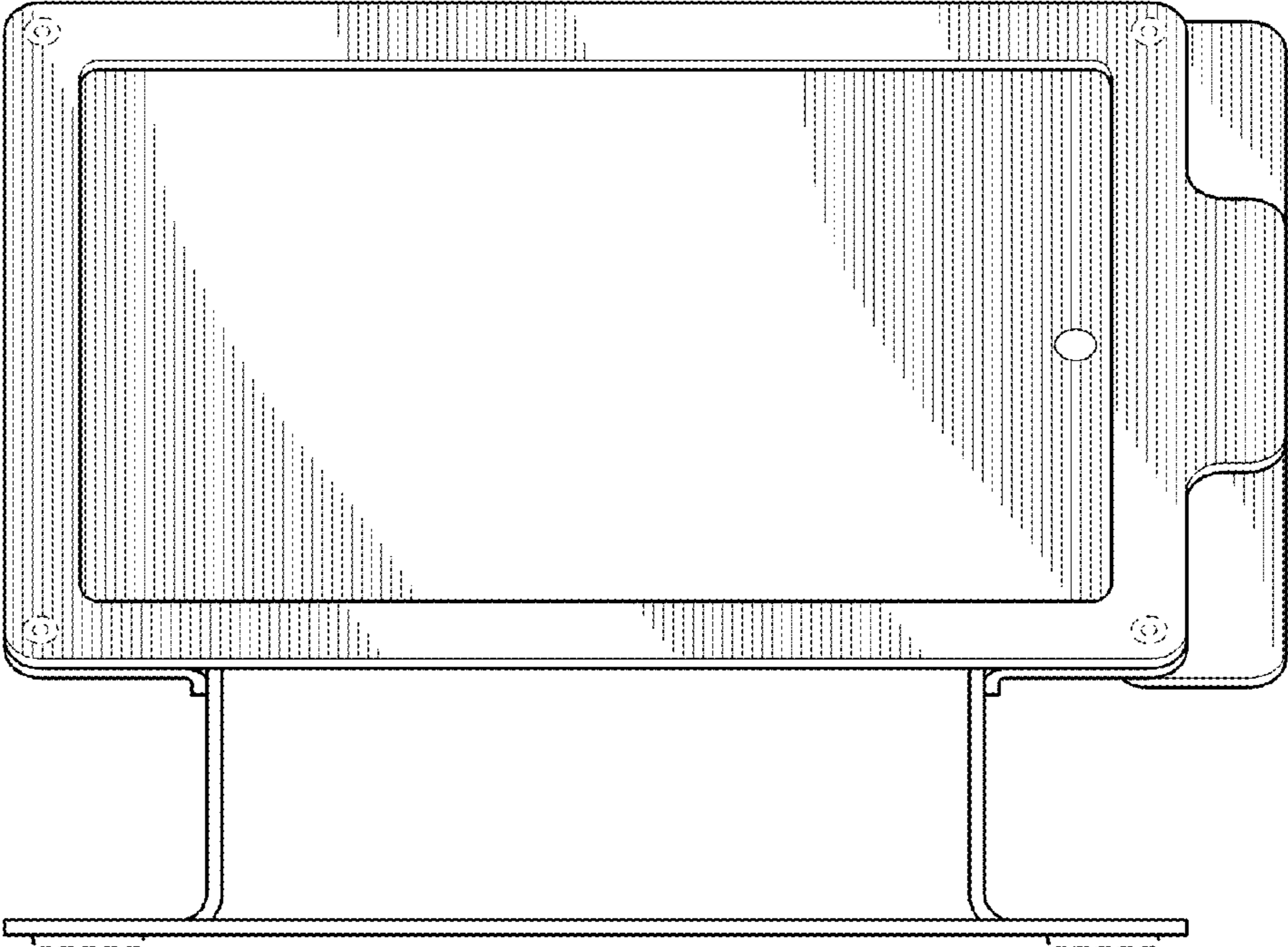
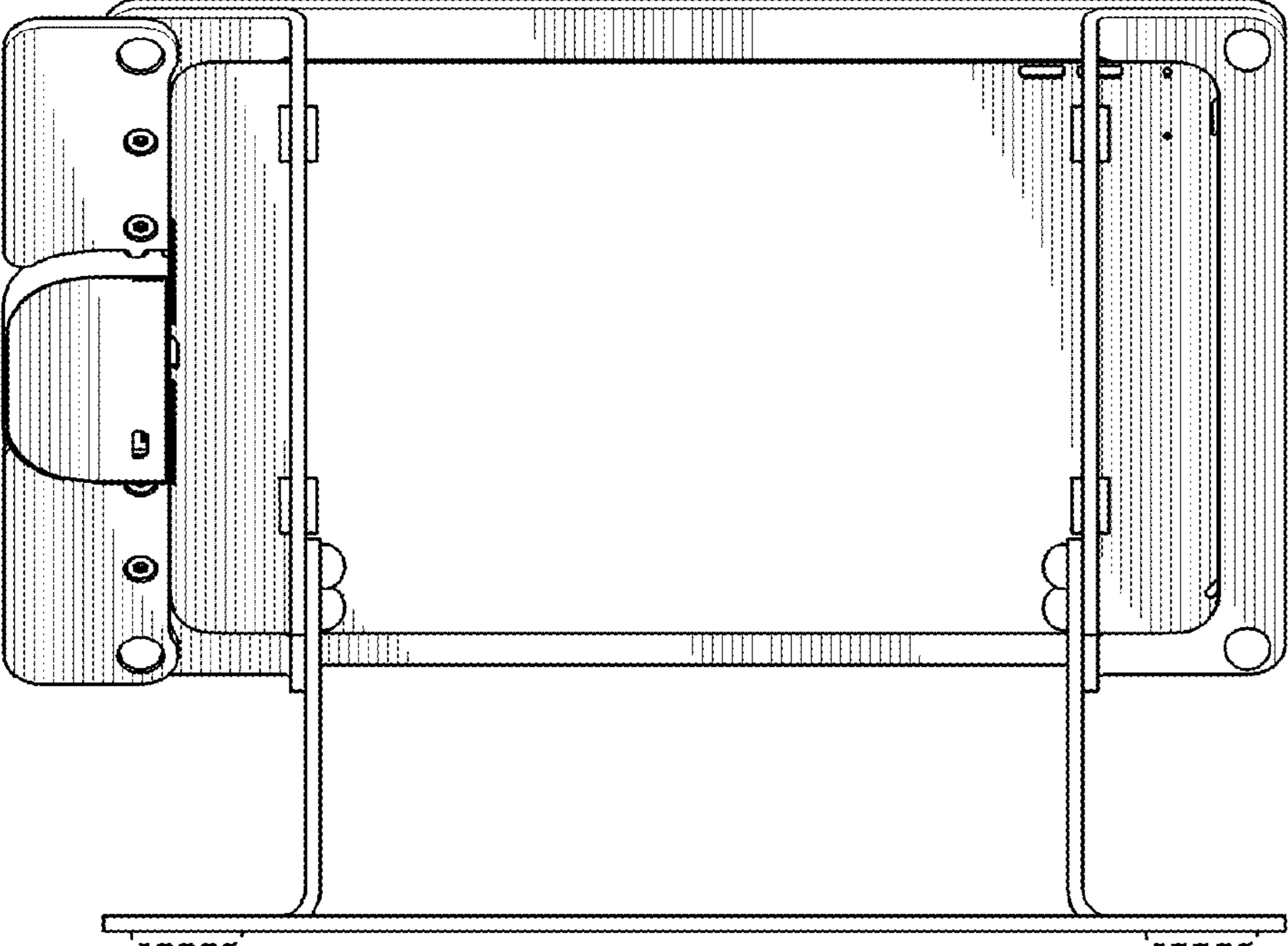


Fig. 2

Fig. 3



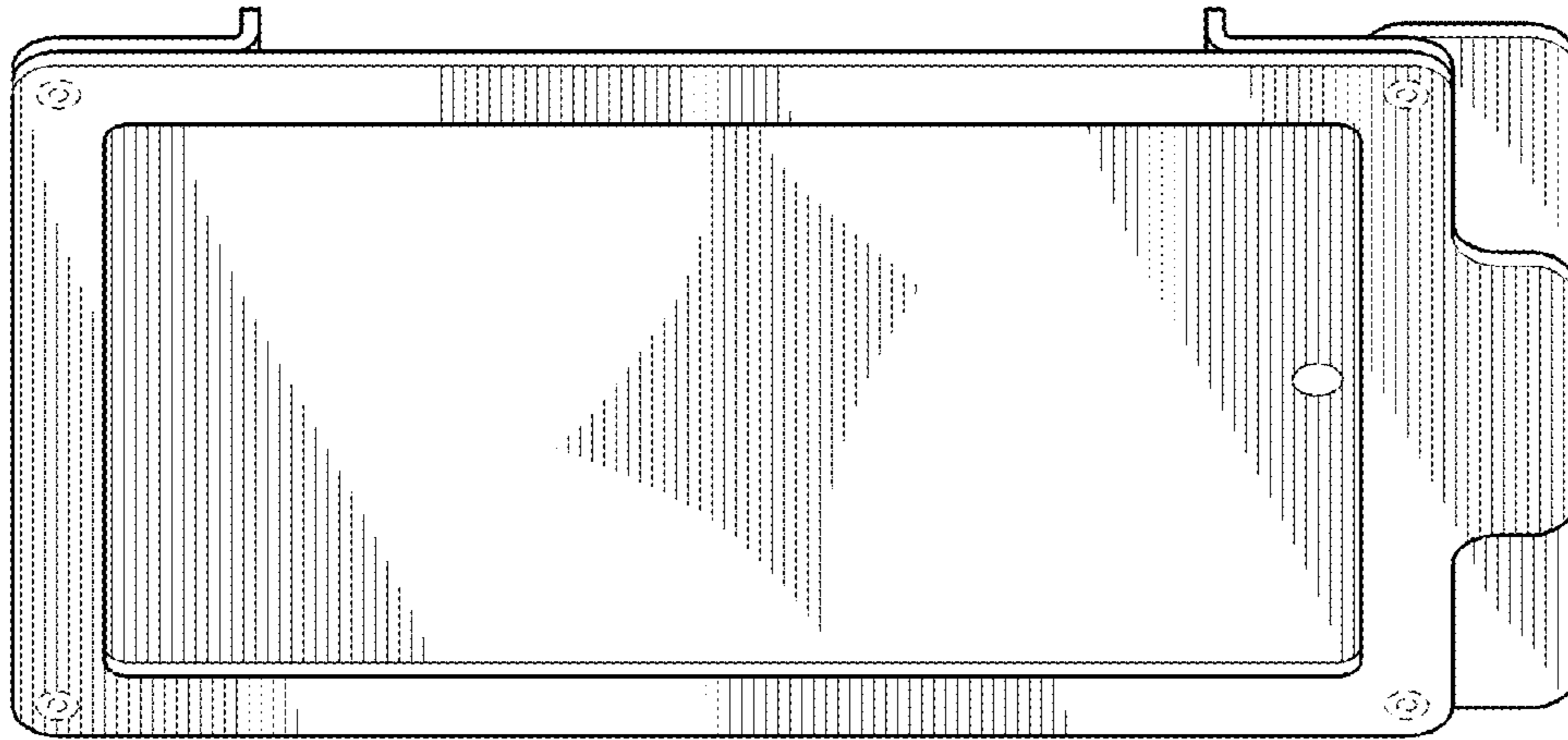


Fig. 4

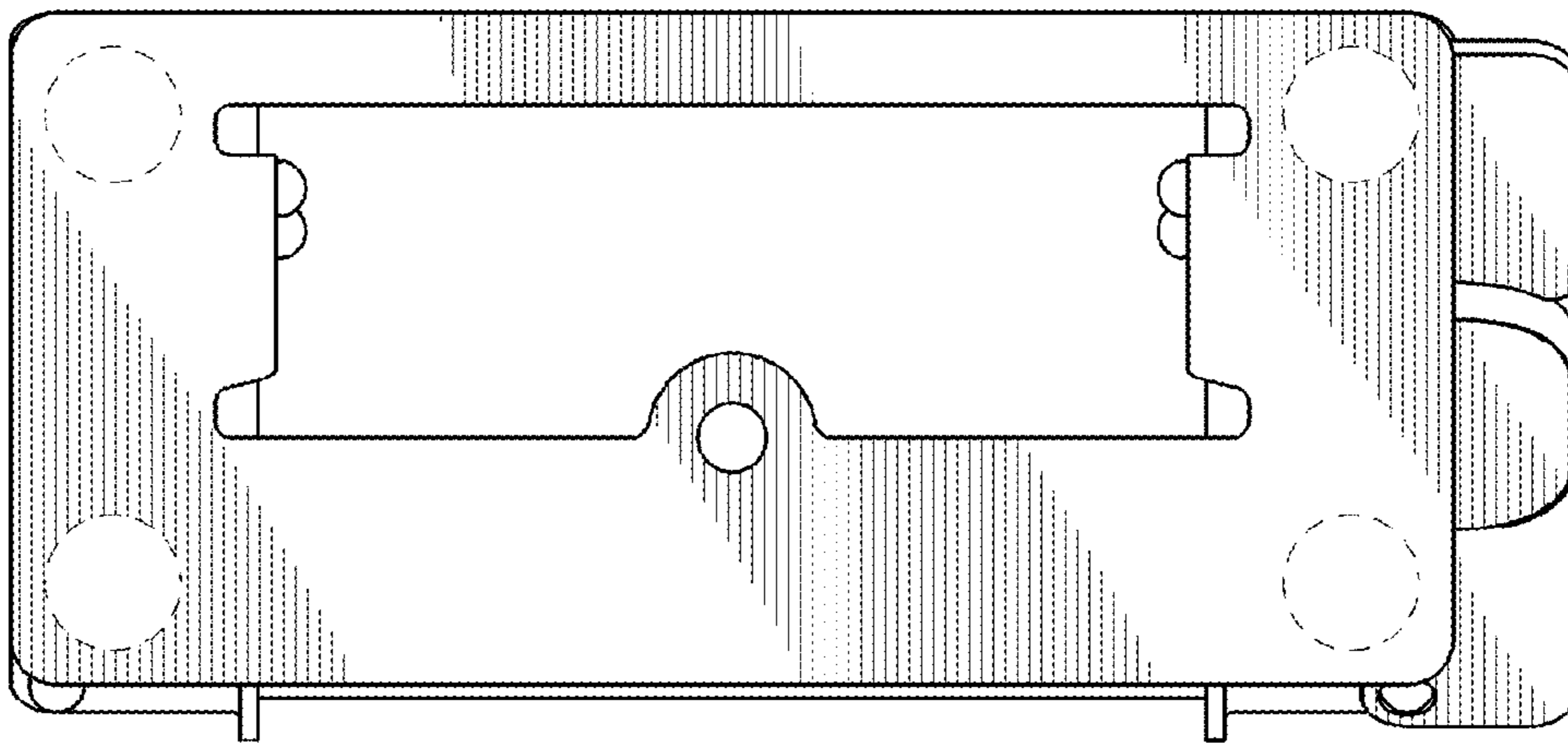


Fig. 5

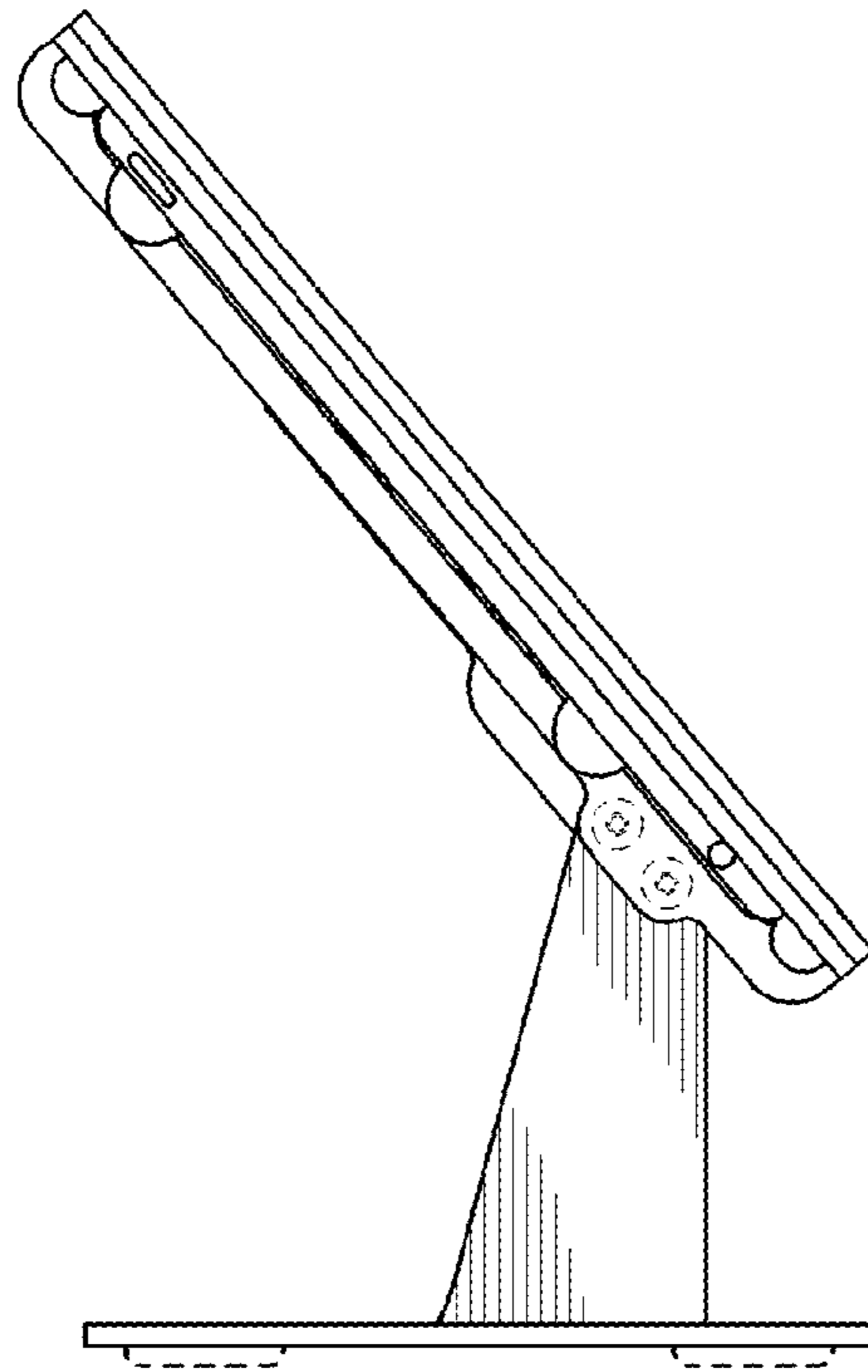


Fig. 6

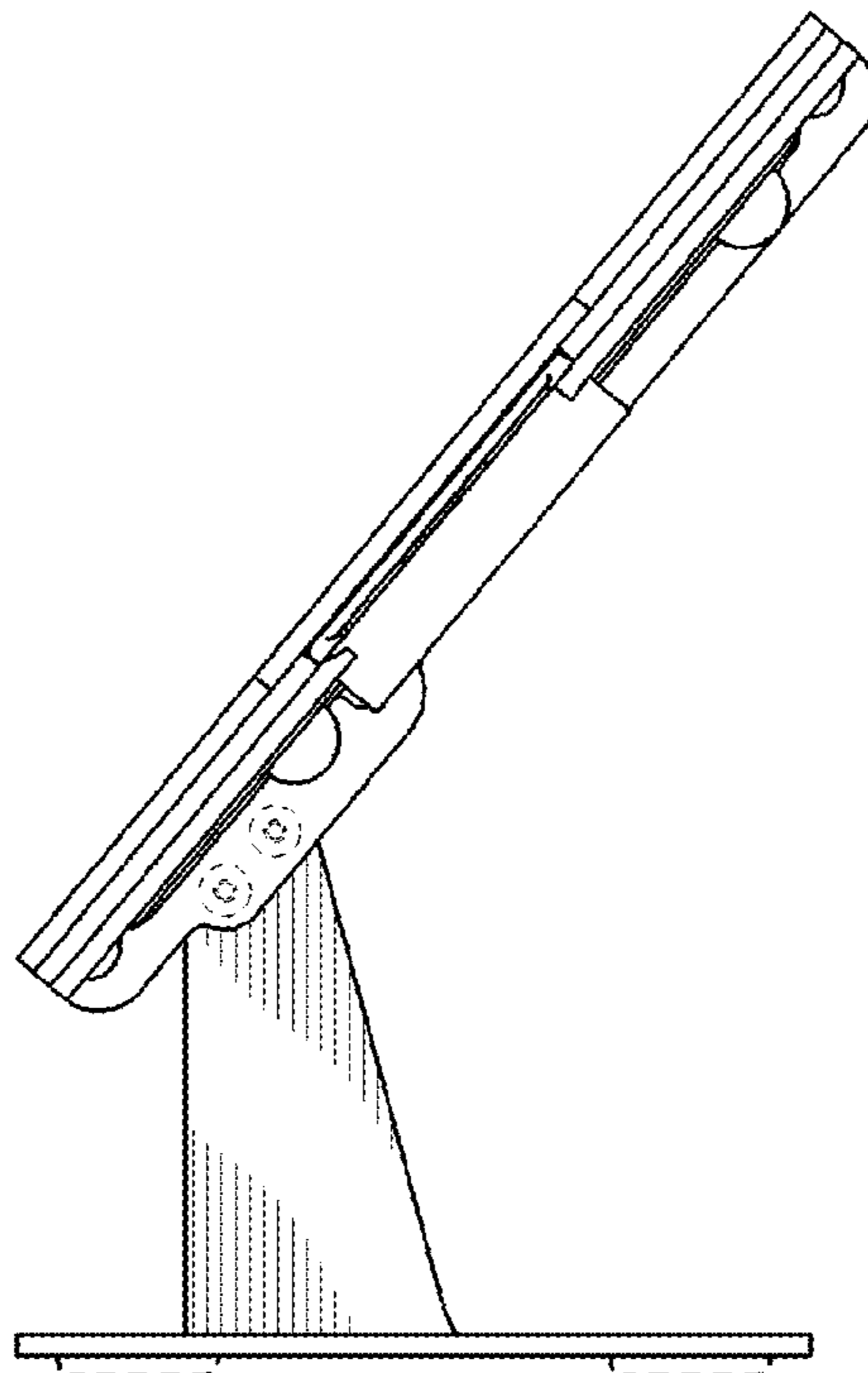


Fig. 7