



US00D746291S

(12) **United States Design Patent**
Solomon et al.

(10) **Patent No.:** **US D746,291 S**

(45) **Date of Patent:** **** Dec. 29, 2015**

(54) **CABLE**

(71) Applicant: **Pebble Technology Corp.**, Palo Alto, CA (US)

(72) Inventors: **Mark Charles Solomon**, San Jose, CA (US); **Christopher Paul Ioffreda**, San Francisco, CA (US); **Andrew James Witte**, Palo Alto, CA (US); **Giovanni Mata Magana**, East Palo Alto, CA (US); **Sean E. Daley**, San Jose, CA (US); **Nicholas Harold Ford**, Kitchener (CA); **Troy Garrett Tye**, San Jose, CA (US)

(73) Assignee: **Pebble Technology, Corp.**, Palo Alto, CA (US)

(**) Term: **15 Years**

(21) Appl. No.: **29/533,833**

(22) Filed: **Jul. 22, 2015**

(51) **LOC (10) Cl.** **14-02**

(52) **U.S. Cl.**
USPC **D14/433**

(58) **Field of Classification Search**
USPC D14/356, 432-434, 453, 454, 511, D14/203.8, 209.1, 238.1, 240, 125; 439/638, 928, 105, 502; 710/303, 304; 361/679.41, 679.55, 679.56; D13/110, D13/133, 146
CPC H01R 24/64; H01R 24/62; H01R 12/714; H01R 13/506; H01R 13/6658
See application file for complete search history.

(56) **References Cited**

U.S. PATENT DOCUMENTS

D298,121 S 10/1988 Furuhashi
D381,629 S 7/1997 Goto

D416,233 S 11/1999 Tsai
D416,542 S 11/1999 Tsai
D416,543 S 11/1999 Tsai
D416,868 S 11/1999 Tsai
D416,869 S 11/1999 Tsai
D447,734 S 9/2001 Nakashima et al.
D447,735 S 9/2001 Nakashima et al.
D447,736 S 9/2001 Nakashima et al.
D448,734 S 10/2001 Nakashima et al.
D449,582 S 10/2001 Nakashima et al.
D450,041 S 11/2001 Nakashima et al.
D454,542 S 3/2002 Nakashima et al.
D454,841 S 3/2002 Nakashima et al.
D513,605 S 1/2006 Lin
D518,791 S 4/2006 Kiely
D525,199 S 7/2006 Lin
D548,700 S 8/2007 Ledbetter et al.
D552,604 S 10/2007 Andre et al.
D553,089 S 10/2007 Victor
D555,105 S 11/2007 Victor
7,311,526 B2 12/2007 Rohrbach et al.
D559,183 S 1/2008 Victor

(Continued)

Primary Examiner — Austin Murphy

(74) *Attorney, Agent, or Firm* — Rutan & Tucker, LLP

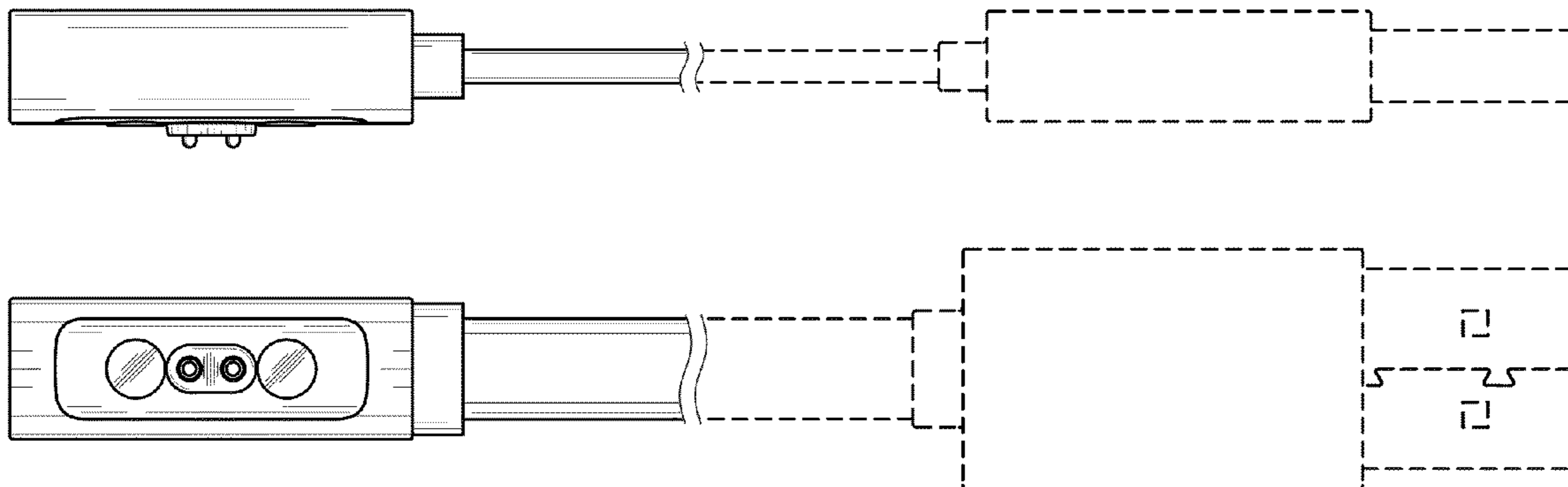
(57) **CLAIM**

The ornamental design for a cable, as shown and described.

DESCRIPTION

FIG. 1 is an elevational view of a left side of a cable according to our new design;
FIG. 2 is an elevational view of a front side of the cable;
FIG. 3 is an elevational view of a back side of the cable;
FIG. 4 is an elevational view of a right side of the cable;
FIG. 5 is an end view of one end of the cable; and,
FIG. 6 is an end view of an opposite end of the cable.
The broken lines showing in FIGS. 1 through 6 are for illustrative purposes only and form no part of the claimed design.

1 Claim, 2 Drawing Sheets



(56)

References Cited

U.S. PATENT DOCUMENTS

D564,971 S	3/2008	Victor	D680,539 S	4/2013	Kim	
D576,105 S	9/2008	Victor	D682,835 S	5/2013	Daniel	
D586,752 S	2/2009	Diamond et al.	D684,976 S	6/2013	Akana et al.	
D586,753 S	2/2009	Diamond et al.	D692,390 S	10/2013	Smith et al.	
D599,800 S	9/2009	Klein et al.	D694,243 S	11/2013	Akana et al.	
D600,652 S	9/2009	Hong et al.	D705,174 S *	5/2014	Wong	D13/147
D604,725 S	11/2009	Chen	D705,175 S *	5/2014	Chu	D13/147
D619,963 S	7/2010	Hou	D706,248 S *	6/2014	Myung et al.	D14/240
D623,144 S	9/2010	Amidon	D716,235 S *	10/2014	Tien	D13/147
D623,146 S	9/2010	Amidon et al.	D730,903 S *	6/2015	Langhammer et al.	D14/433
D636,337 S	4/2011	Smith et al.	D731,488 S *	6/2015	Lee	D14/433
D648,726 S	11/2011	Behar et al.	D731,489 S *	6/2015	Langhammer et al.	D14/433
D676,389 S *	2/2013	Worth et al.	D732,035 S *	6/2015	Akana et al.	D14/433
D680,076 S	4/2013	McManigal	D733,142 S *	6/2015	Solomon et al.	D14/433
			D734,272 S *	7/2015	Dang et al.	D13/153
			D736,704 S *	8/2015	Liu	D13/108

* cited by examiner

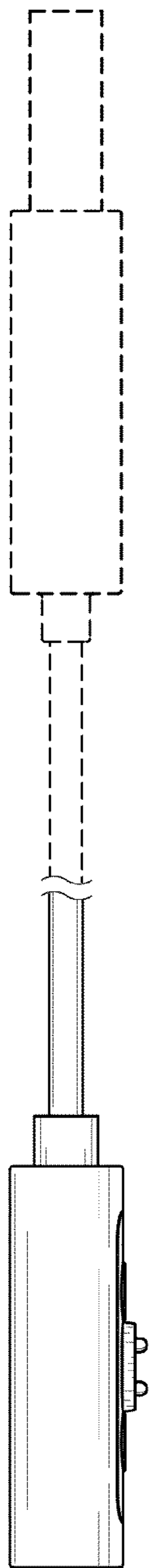


FIG. 1

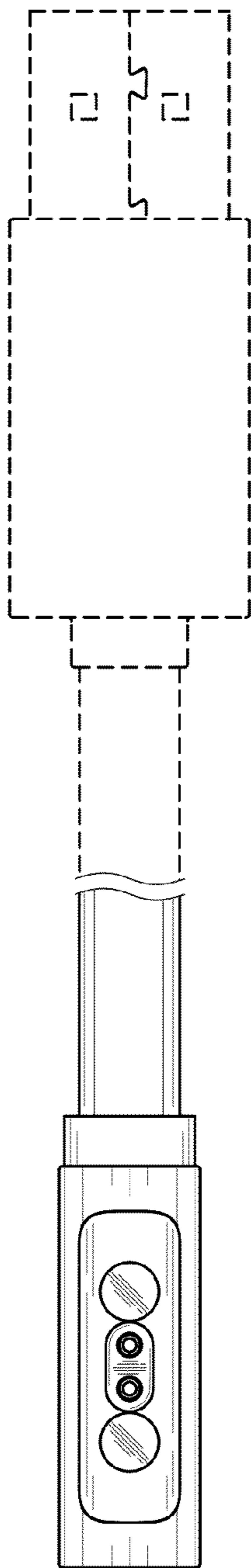


FIG. 2

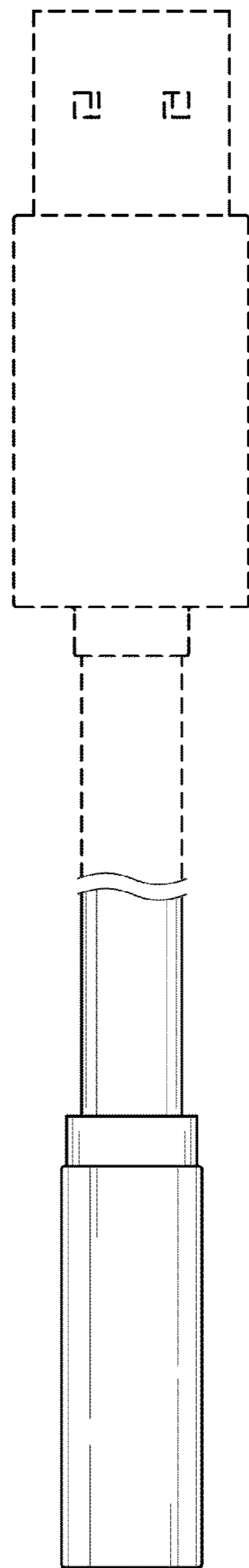


FIG. 3

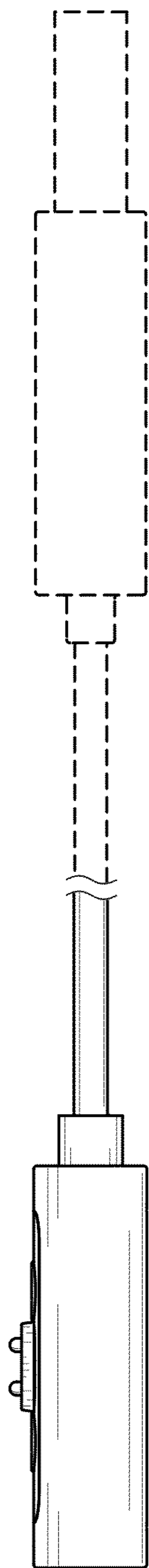


FIG. 4

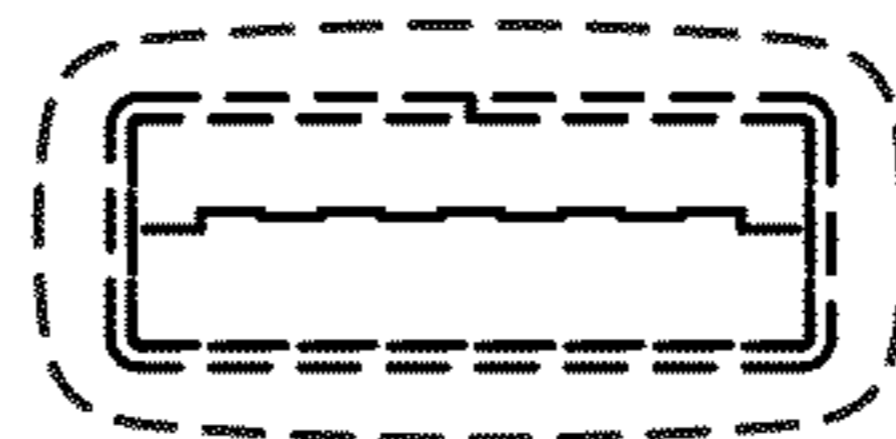


FIG. 6

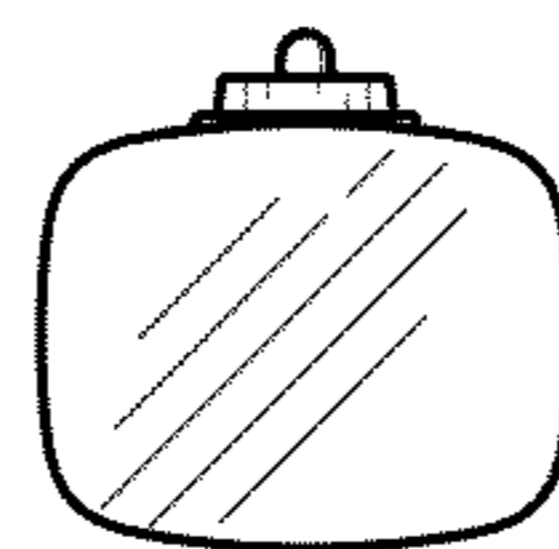


FIG. 5