



US00D746289S

(12) **United States Design Patent**
Binner

(10) **Patent No.:** **US D746,289 S**

(45) **Date of Patent:** **** Dec. 29, 2015**

(54) **INDUSTRIAL ENCLOSURE**

(71) Applicant: **WAGO Verwaltungsgesellschaft mbH**,
Minden (DE)

(72) Inventor: **Lars Binner**, Melle (DE)

(73) Assignee: **WAGO VERWAL**
TUNGSGESELLSCHAFT MBH,
Minden (DE)

(**) Term: **14 Years**

(21) Appl. No.: **29/503,101**

(22) Filed: **Sep. 23, 2014**

Related U.S. Application Data

(62) Division of application No. 29/440,307, filed on Dec.
20, 2012.

(30) **Foreign Application Priority Data**

Jun. 25, 2012 (EM) 002063040

(51) **LOC (10) Cl.** **14-02**

(52) **U.S. Cl.**
USPC **D14/432**

(58) **Field of Classification Search**
USPC D14/300–302, 308–314, 328, 348, 349,
D14/356–370, 432, 439–447, 465, 134;
D13/123, 133, 146, 147, 154, 156, 158,
D13/162, 173, 175, 177, 184, 110; 312/333,
312/332.1, 223.1; 361/683–686, 725–727;
439/372, 116, 157
CPC G11B 33/02; G11B 33/12

See application file for complete search history.

(56) **References Cited**

U.S. PATENT DOCUMENTS

D342,488	S	*	12/1993	Kuzumoto et al.	D14/352
D399,191	S	*	10/1998	Corrington et al.	D14/312
6,000,769	A	*	12/1999	Chen	312/223.2
D477,826	S	*	7/2003	Crisp et al.	D14/444
D481,018	S	*	10/2003	Frank et al.	D14/312
D483,377	S	*	12/2003	Mundt	D14/440
D598,440	S	*	8/2009	Alfonso et al.	D14/300
7,865,326	B2	*	1/2011	Johnson et al.	702/127
8,054,638	B2	*	11/2011	Graybill et al.	361/747
D659,133	S	*	5/2012	Crisp et al.	D14/301
D665,387	S	*	8/2012	Hsiao	D14/301

(Continued)

Primary Examiner — Austin Murphy

(74) *Attorney, Agent, or Firm* — Renner, Otto, Boisselle &
Sklar, LLP

(57) **CLAIM**

The ornamental design for an industrial enclosure, as shown
and described.

DESCRIPTION

FIG. 1 is a side view of an industrial enclosure showing my
new design.

FIG. 2 is a bottom view of the industrial enclosure.

FIG. 3 is an opposite side view of the industrial enclosure.

FIG. 4 is a perspective view of the industrial enclosure.

FIG. 5 is a front view of the industrial enclosure.

FIG. 6 is a rear view of the industrial enclosure.

FIG. 7 is a top view of the industrial enclosure.

FIG. 8 is a side view of a second embodiment of industrial
enclosure showing my design.

FIG. 9 is a bottom view of the second embodiment.

FIG. 10 is an opposite side view of the second embodiment.

FIG. 11 is a perspective view of the second embodiment.

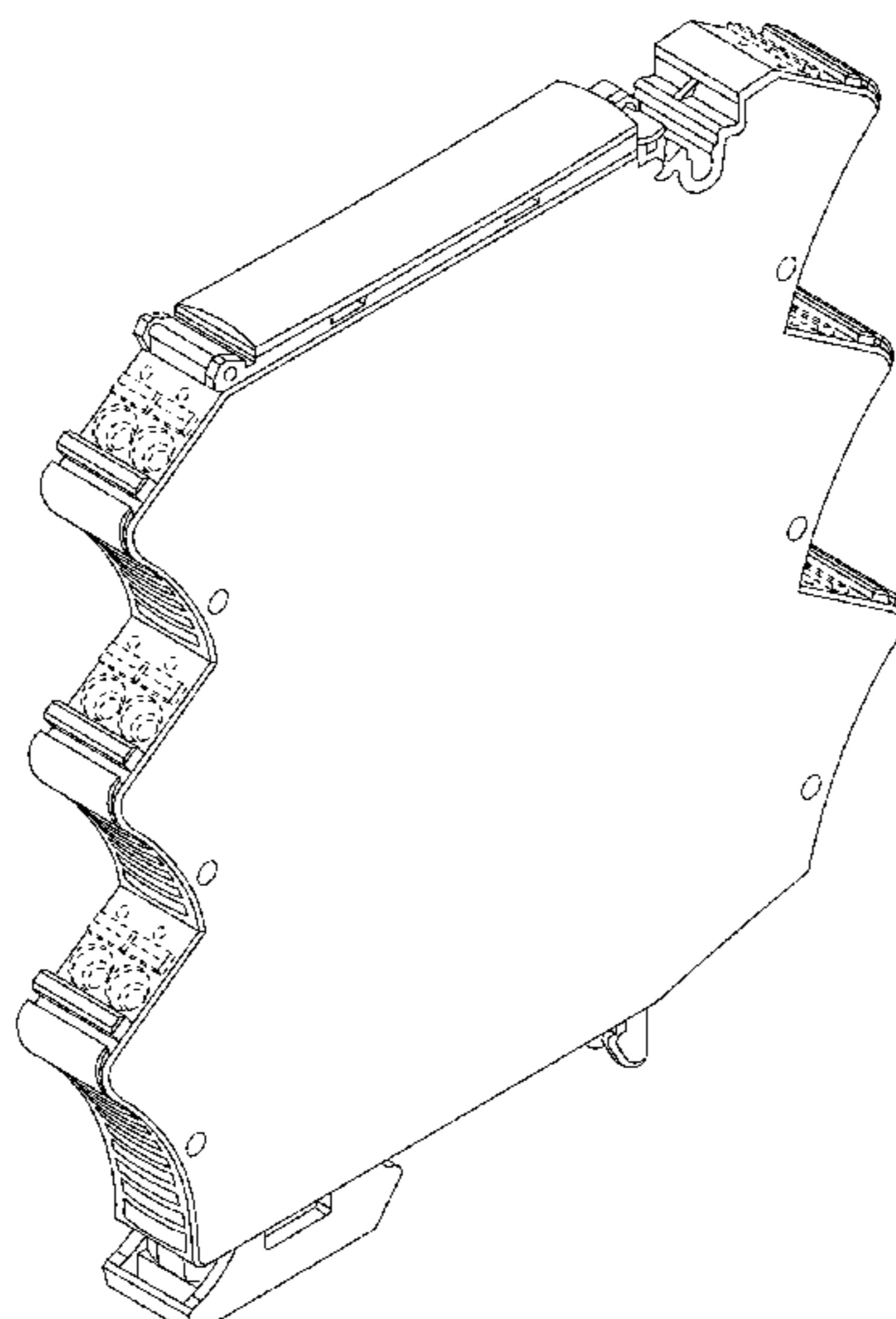
FIG. 12 is a front view of the second embodiment.

FIG. 13 is a rear view of the second embodiment; and,

FIG. 14 is a top view of the second embodiment.

The broken lines shown in the drawings represent portions of
the industrial enclosure that form no part of the claimed
design.

1 Claim, 14 Drawing Sheets



US D746,289 S

Page 2

(56)

References Cited

U.S. PATENT DOCUMENTS

	D690,694 S *	10/2013	Utsuki et al.	D14/364
	2003/0011981 A1 *	1/2003	Curtis et al.	361/685
	2004/0012921 A1 *	1/2004	Hidaka et al.	361/685
8,286,932 B2 *	10/2012	Peng et al.	248/694	* cited by examiner

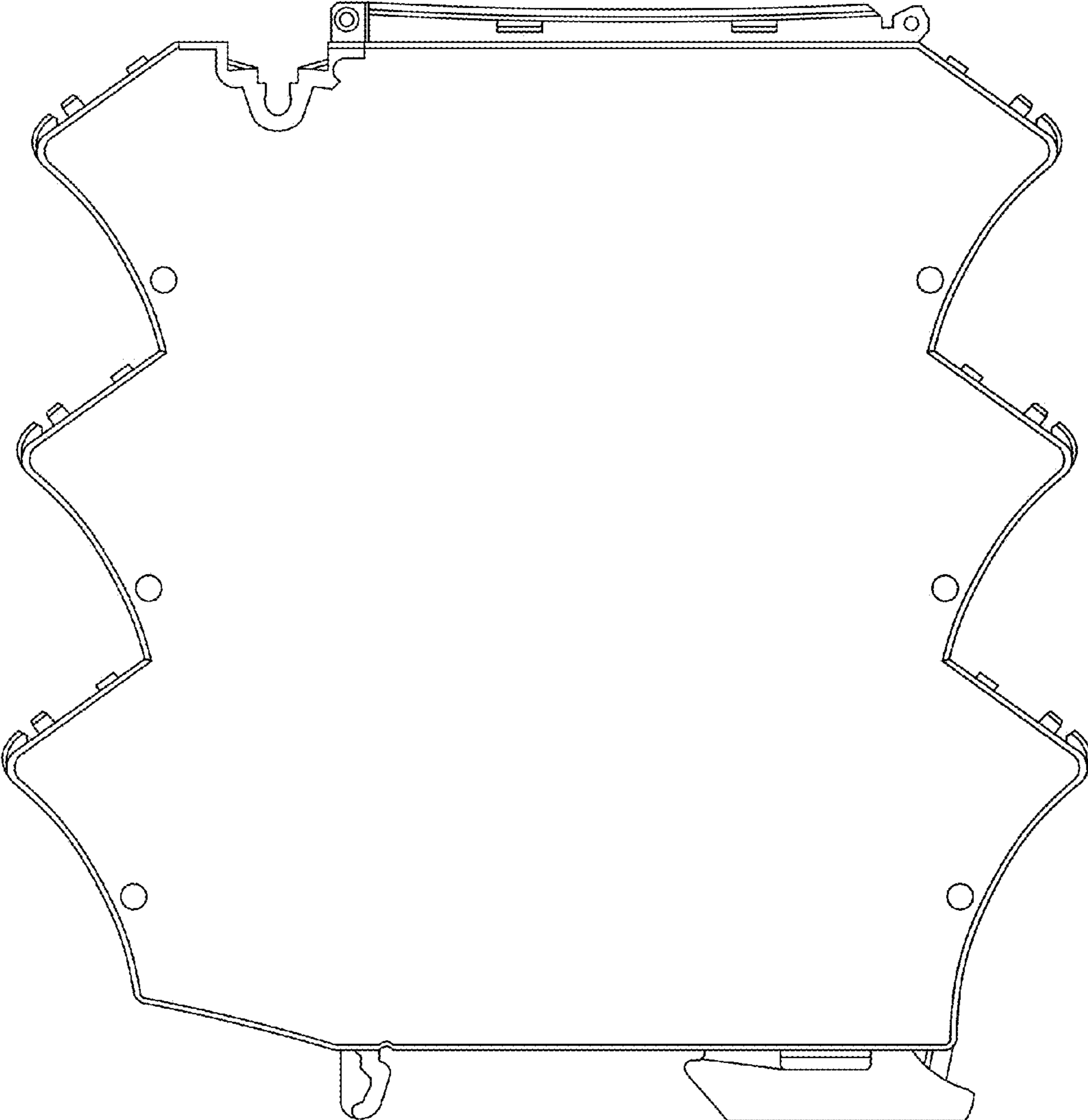


FIG. 1

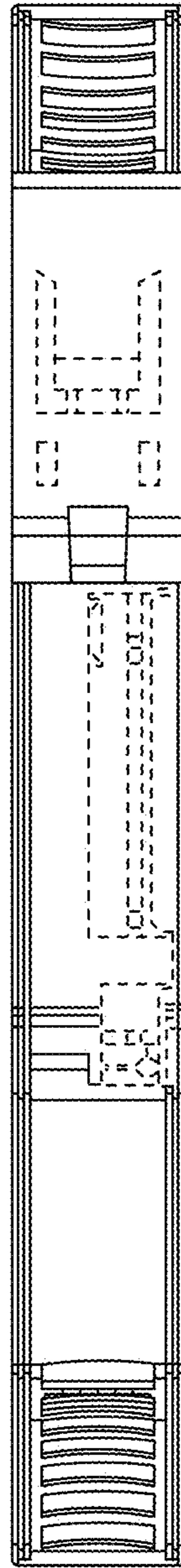


FIG. 2

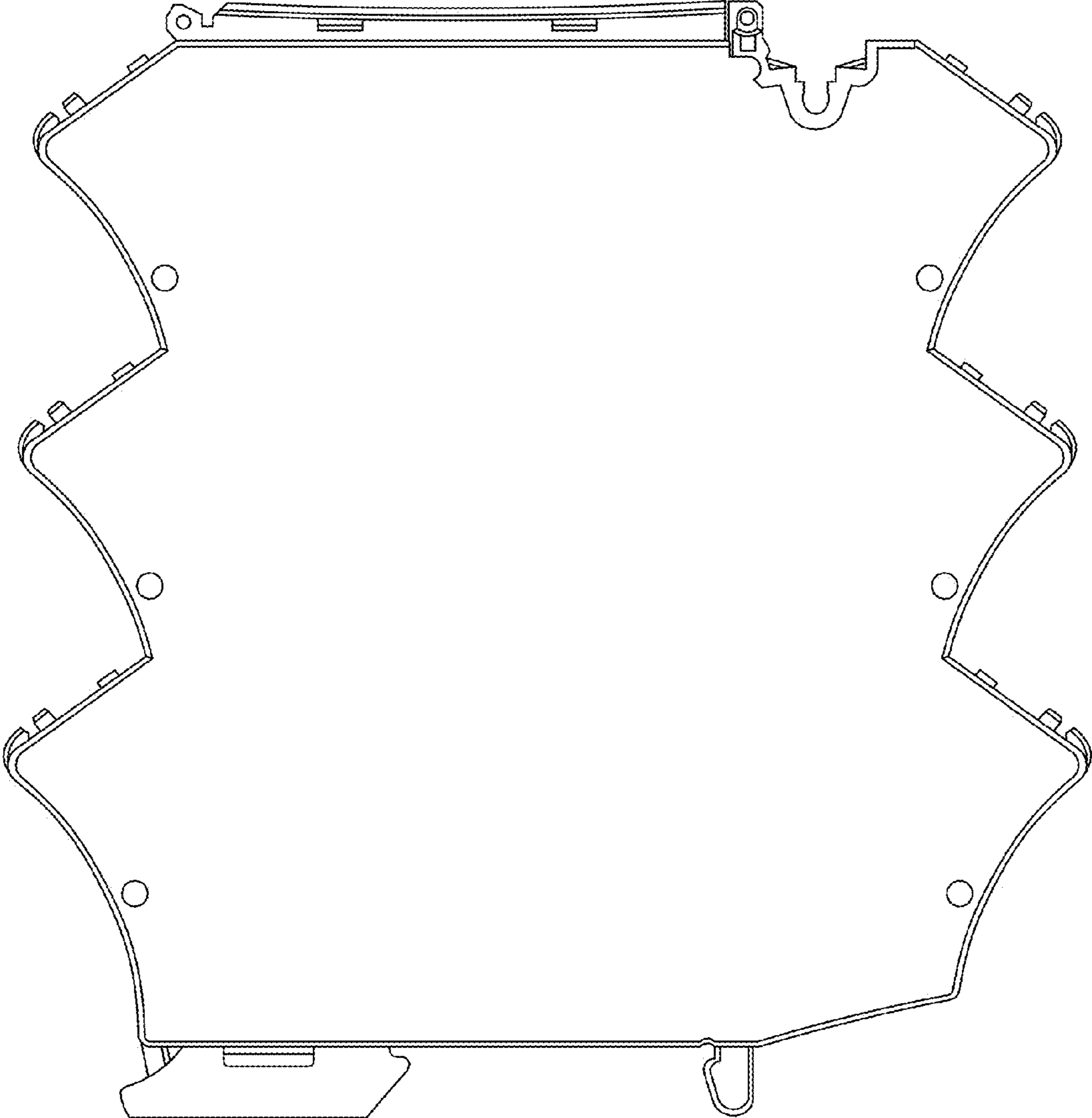


FIG. 3

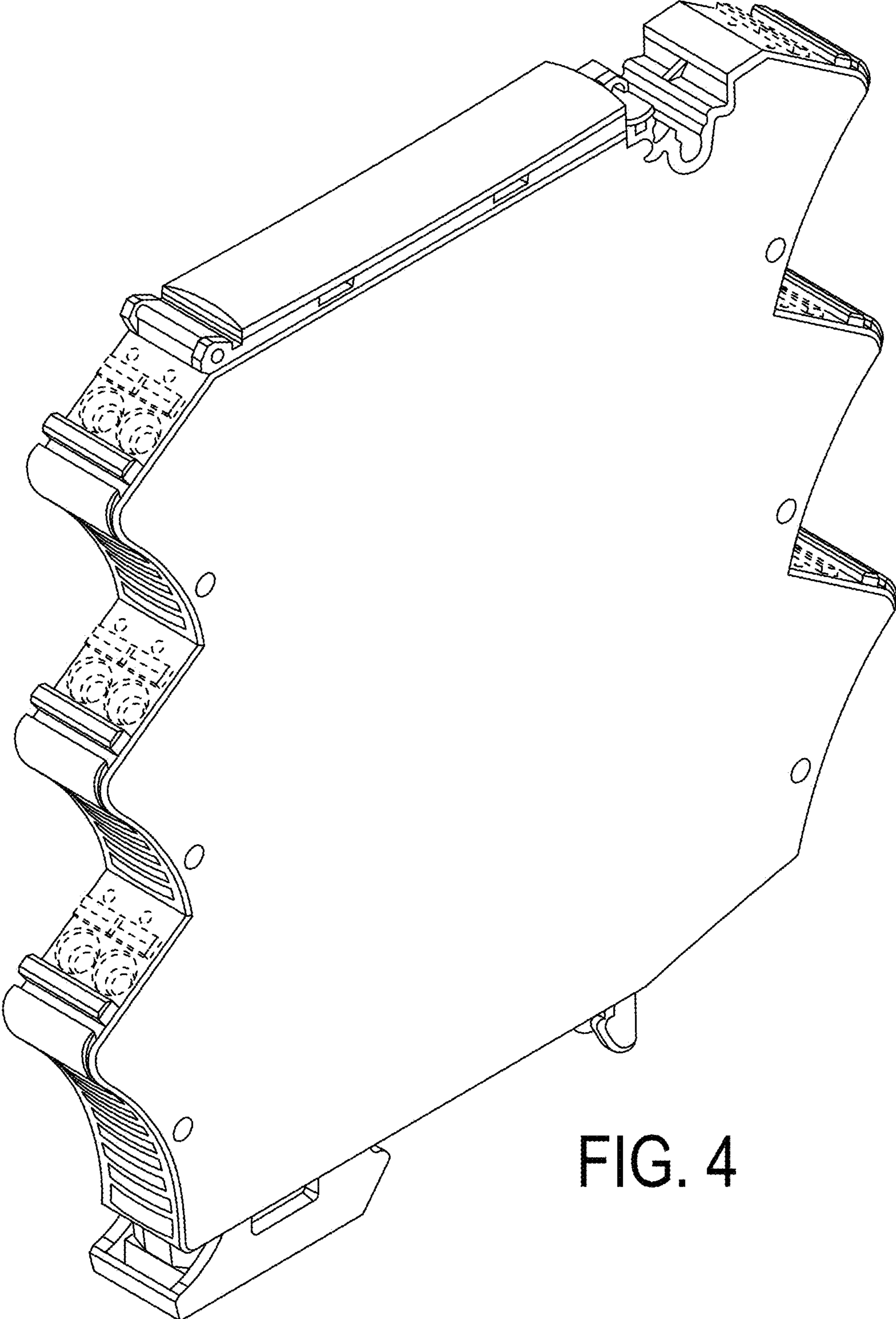


FIG. 4

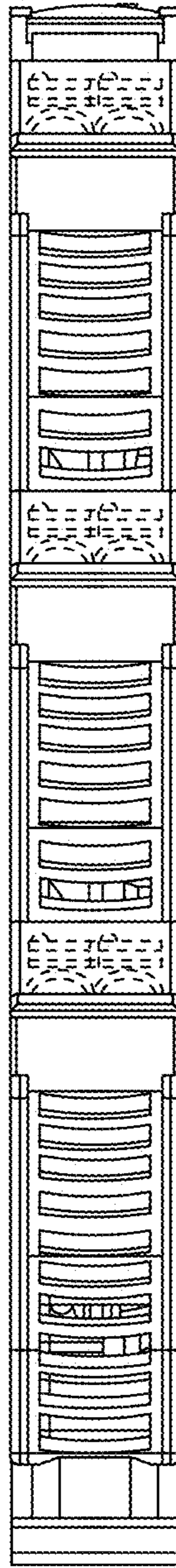


FIG. 5

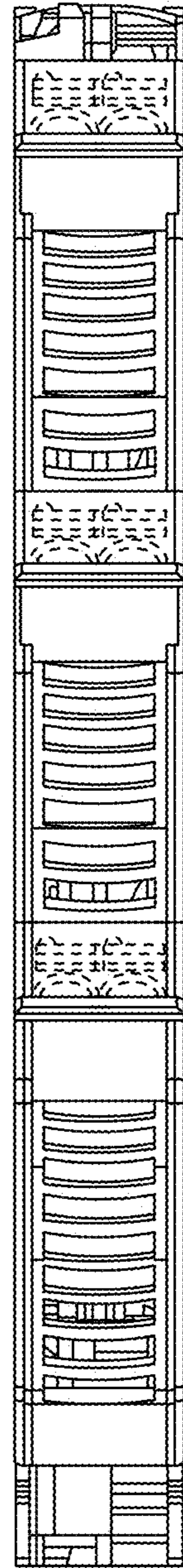


FIG. 6

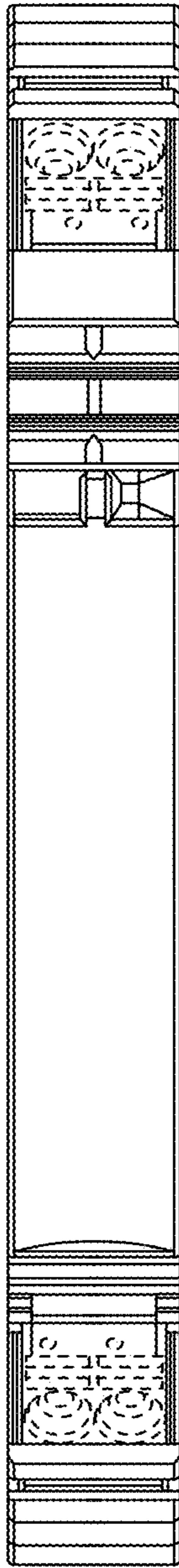


FIG. 7

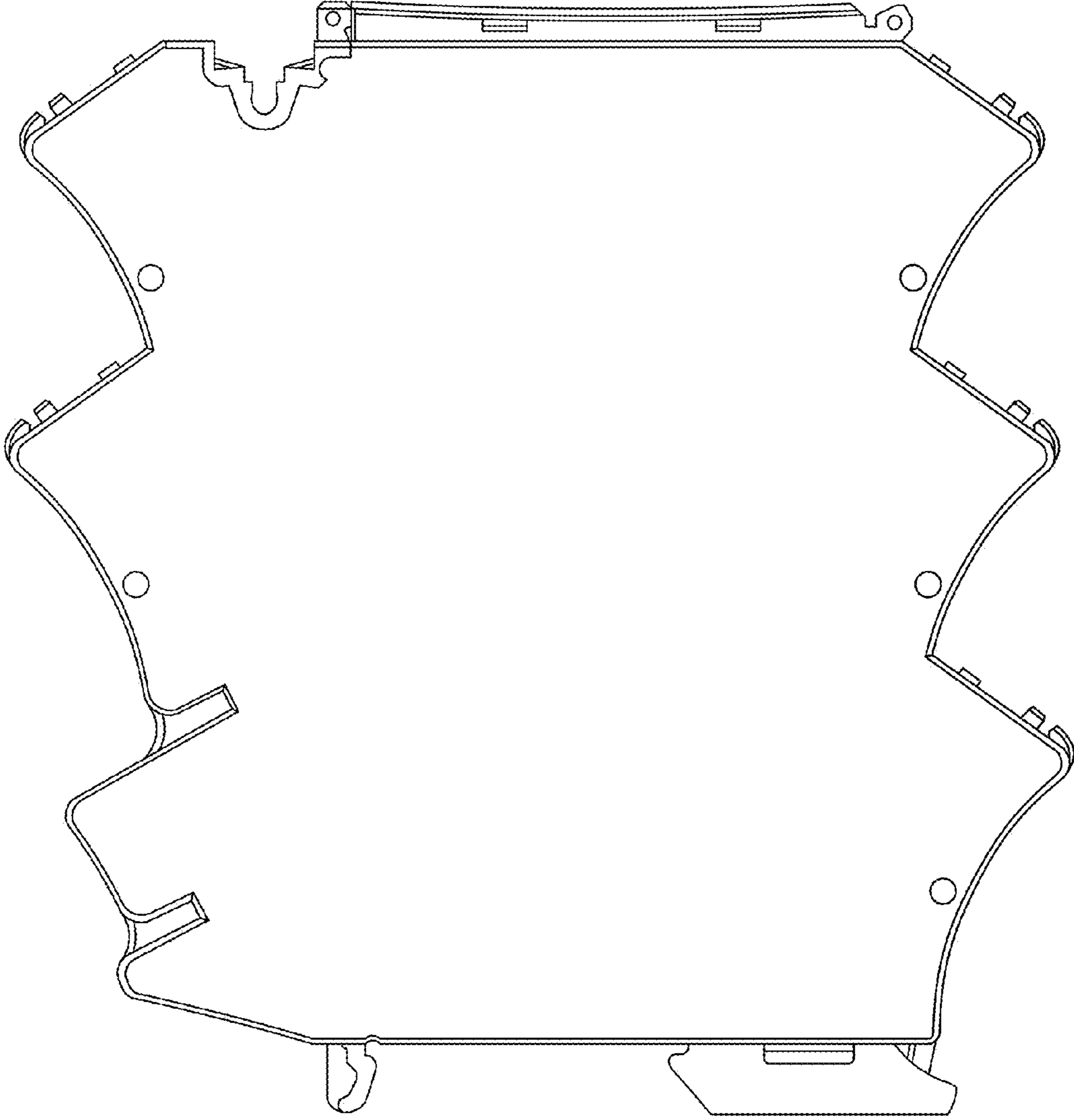


FIG. 8

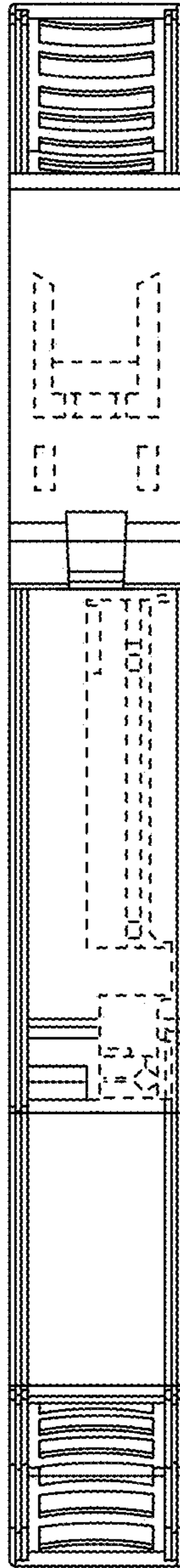


FIG. 9

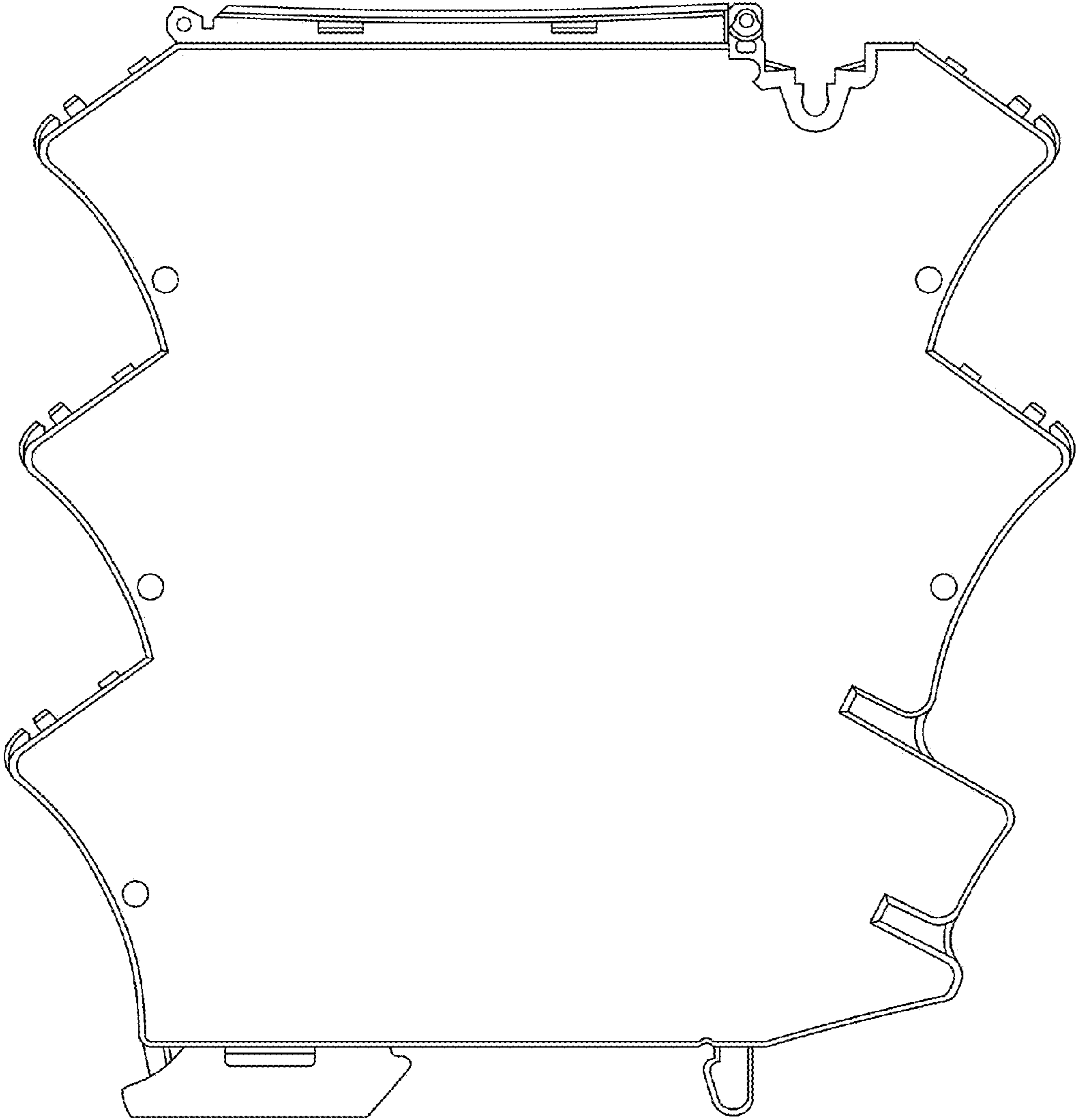


FIG. 10

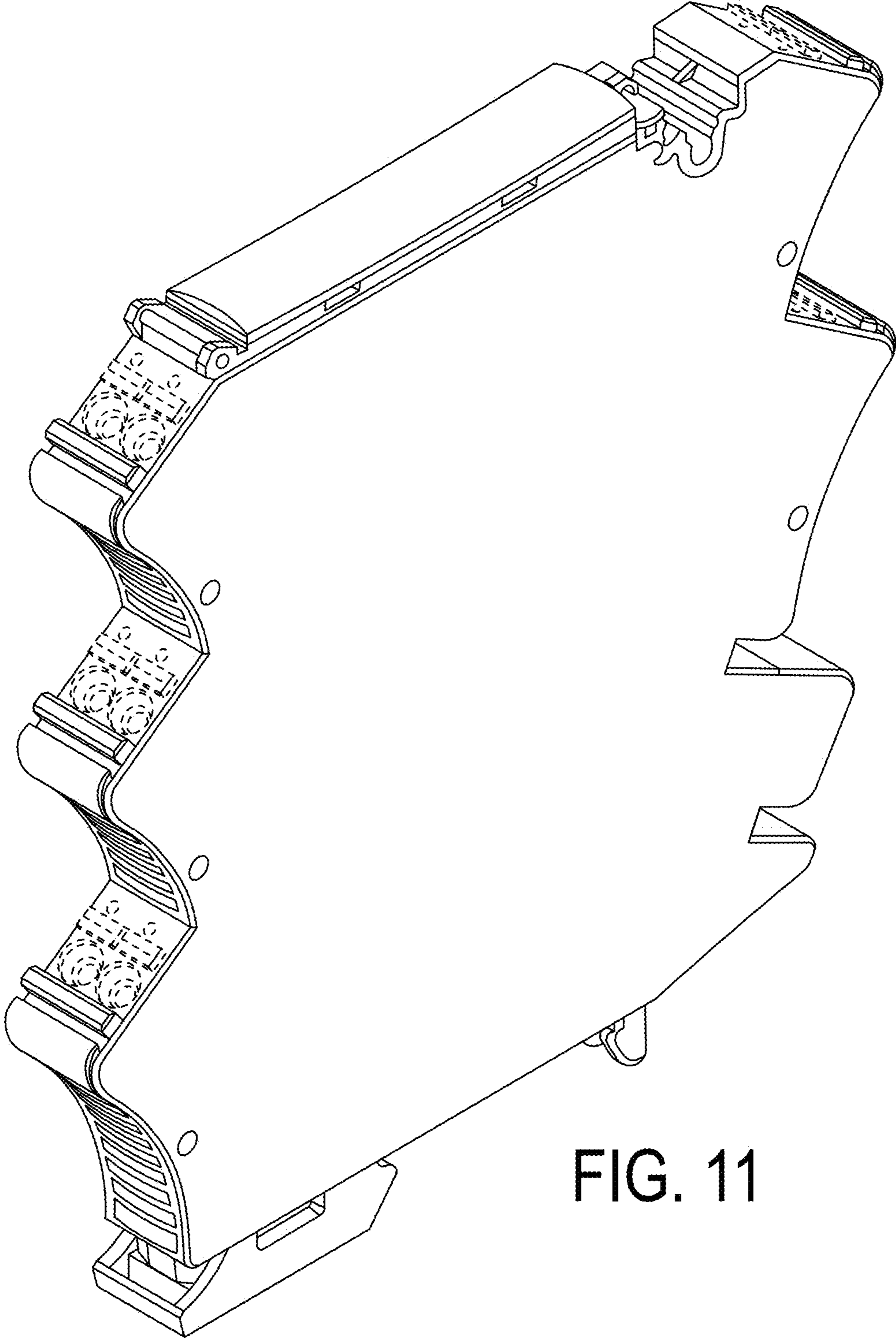


FIG. 11

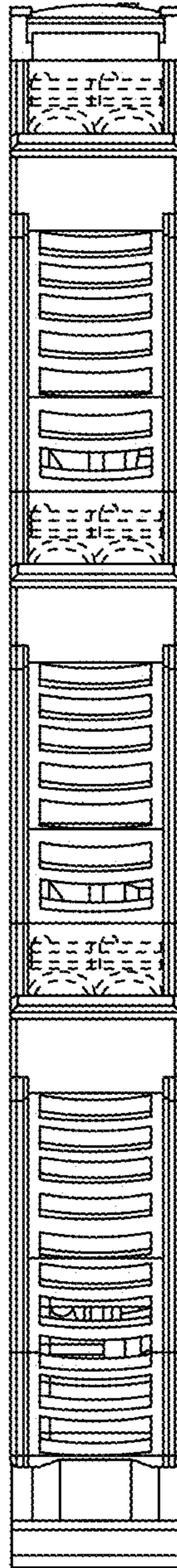


FIG. 12

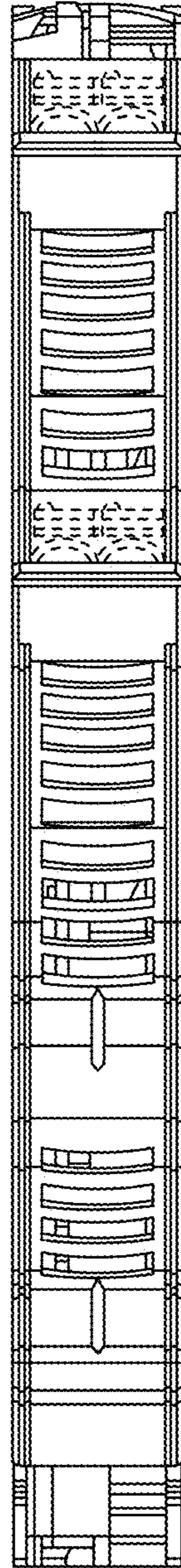


FIG. 13

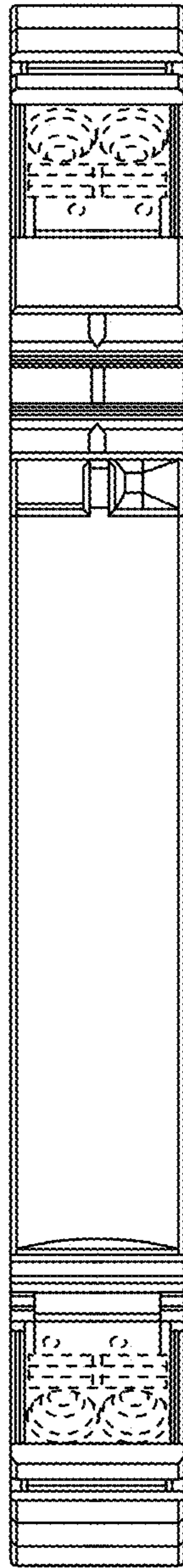


FIG. 14