



US00D746286S

(12) **United States Design Patent**  
**Yoshida et al.**

(10) **Patent No.:** **US D746,286 S**  
(45) **Date of Patent:** **\*\* Dec. 29, 2015**

(54) **WEARABLE PLAYER**

(71) Applicant: **Sony Corporation**, Tokyo (JP)  
(72) Inventors: **Takaaki Yoshida**, Kanagawa (JP);  
**Yasuhide Hosoda**, Kanagawa (JP)  
(73) Assignee: **Sony Corporation**, Tokyo (JP)  
(\*\*) Term: **14 Years**  
(21) Appl. No.: **29/484,465**  
(22) Filed: **Mar. 10, 2014**

D718,305 S \* 11/2014 Olsson et al. .... D14/372  
D719,568 S \* 12/2014 Heinrich et al. .... D14/372  
D719,569 S \* 12/2014 Heinrich et al. .... D14/372  
D719,570 S \* 12/2014 Heinrich et al. .... D14/372  
D719,572 S \* 12/2014 Lee et al. .... D14/372  
D719,952 S \* 12/2014 Kim et al. .... D14/372

(Continued)

*Primary Examiner* — Austin Murphy  
(74) *Attorney, Agent, or Firm* — Michael Best & Friedrich LLP

(30) **Foreign Application Priority Data**

Dec. 27, 2013 (CN) ..... 2013 3 0651424  
Dec. 27, 2013 (JP) ..... D2013-030963  
Dec. 27, 2013 (JP) ..... D2013-030964  
Dec. 27, 2013 (JP) ..... D2013-030965  
Dec. 27, 2013 (JP) ..... D2013-030966  
Dec. 27, 2013 (JP) ..... D2013-030967  
Dec. 27, 2013 (JP) ..... D2013-030968  
Dec. 27, 2013 (JP) ..... D2013-030969  
Dec. 27, 2013 (JP) ..... D2013-030970  
Dec. 27, 2013 (JP) ..... D2013-030971  
Dec. 27, 2013 (JP) ..... D2013-030972

(51) **LOC (10) Cl.** ..... **14-02**

(52) **U.S. Cl.**  
USPC ..... **D14/372**

(58) **Field of Classification Search**  
USPC ..... D14/372, 126, 300, 432, 433, 496;  
D16/300, 309, 314; 345/7, 8, 9;  
351/158; 359/630, 633; D21/483  
CPC ..... G02B 27/017; G02B 27/0158; G02B  
27/0161; G02B 27/0181; G02B 27/0185;  
G02B 27/0189; G02B 2027/0178; G02C  
11/10; G02C 11/00  
See application file for complete search history.

(56) **References Cited**

U.S. PATENT DOCUMENTS

D716,808 S \* 11/2014 Yeom et al. .... D14/372

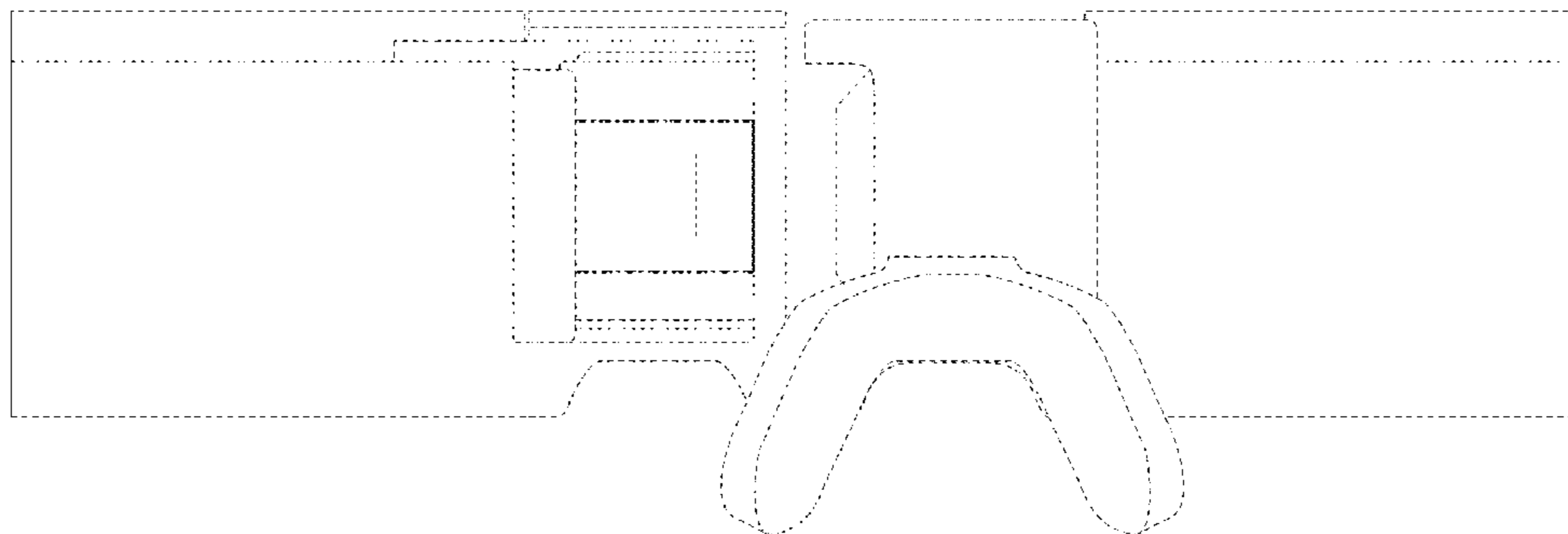
(57) **CLAIM**

The ornamental design for a wearable player, as shown and described.

**DESCRIPTION**

FIG. 1 is a front elevational view of a wearable player showing our new design;  
FIG. 2 is a rear elevational view thereof;  
FIG. 3 is a top plan view thereof;  
FIG. 4 is a cross sectional view thereof cut along the line 4-4 of FIG. 3;  
FIG. 5 is an enlarged cross sectional view thereof cut along the lines 5-5 and 5'-5' of FIG. 3;  
FIG. 6 is an enlarged cross sectional view thereof cut along the lines 6-6 and 6'-6' of FIG. 3;  
FIG. 7 is an enlarged cross sectional view thereof cut along the lines 7-7 and 7'-7' of FIG. 3 showing the left side block thereof;  
FIG. 8 is an enlarged cross sectional view thereof cut along the lines 8-8 and 8'-8' of FIG. 3 showing the right side block thereof; and,  
FIG. 9 is an enlarged cross sectional view thereof cut along the lines 9-9 of FIG. 1 and the line 9'-9' of FIG. 3.  
Portions in broken lines are for illustrative purposes only and form no part of the claimed design. Dot-dash broken lines define the boundaries of, but not included in, the claimed design.

**1 Claim, 5 Drawing Sheets**



(56)

**References Cited**

U.S. PATENT DOCUMENTS

D722,054 S \* 2/2015 Serota ..... D14/372  
D724,082 S \* 3/2015 Olsson et al. .... D14/372  
D724,083 S \* 3/2015 Olsson et al. .... D14/372  
D724,084 S \* 3/2015 Choo et al. .... D14/372

D724,559 S \* 3/2015 Reaux ..... D14/205  
D726,180 S \* 4/2015 Roat et al. .... D14/372  
D727,317 S \* 4/2015 Olsson et al. .... D14/372  
D727,318 S \* 4/2015 Garcia Marin et al. .... D14/372  
D730,352 S \* 5/2015 Chow et al. .... D14/372  
D733,709 S \* 7/2015 Kawai ..... D14/372  
D734,332 S \* 7/2015 Olsson et al. .... D14/372

\* cited by examiner

FIG.1

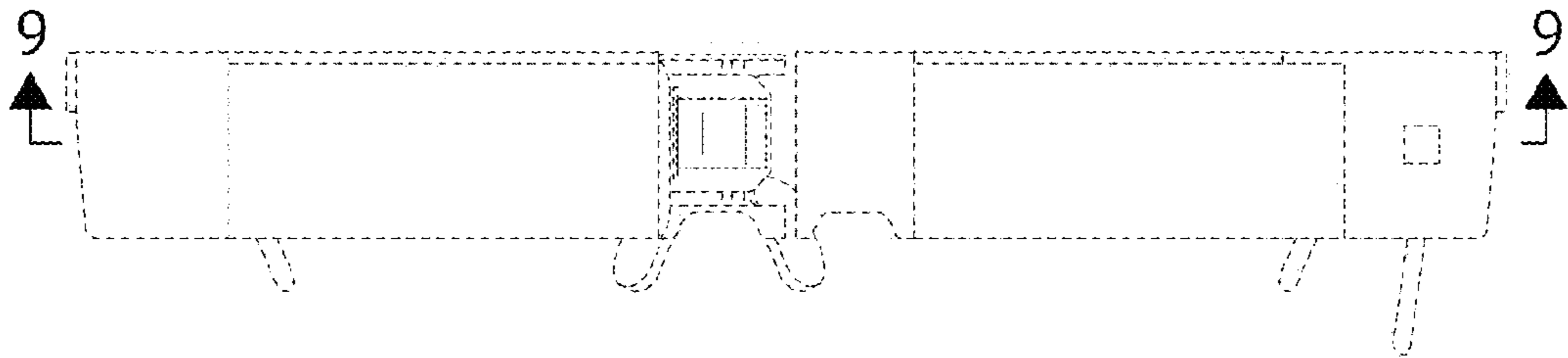


FIG.2

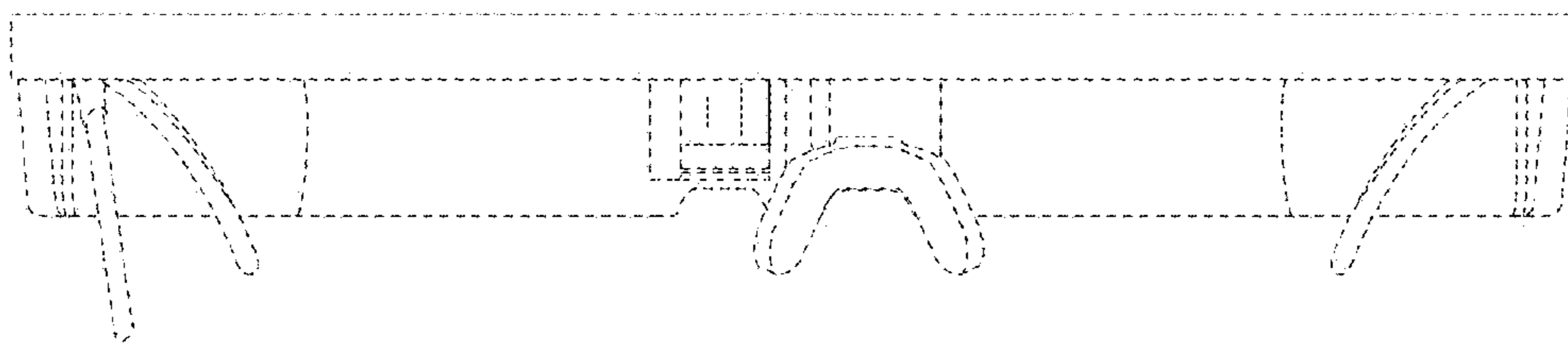


FIG.3

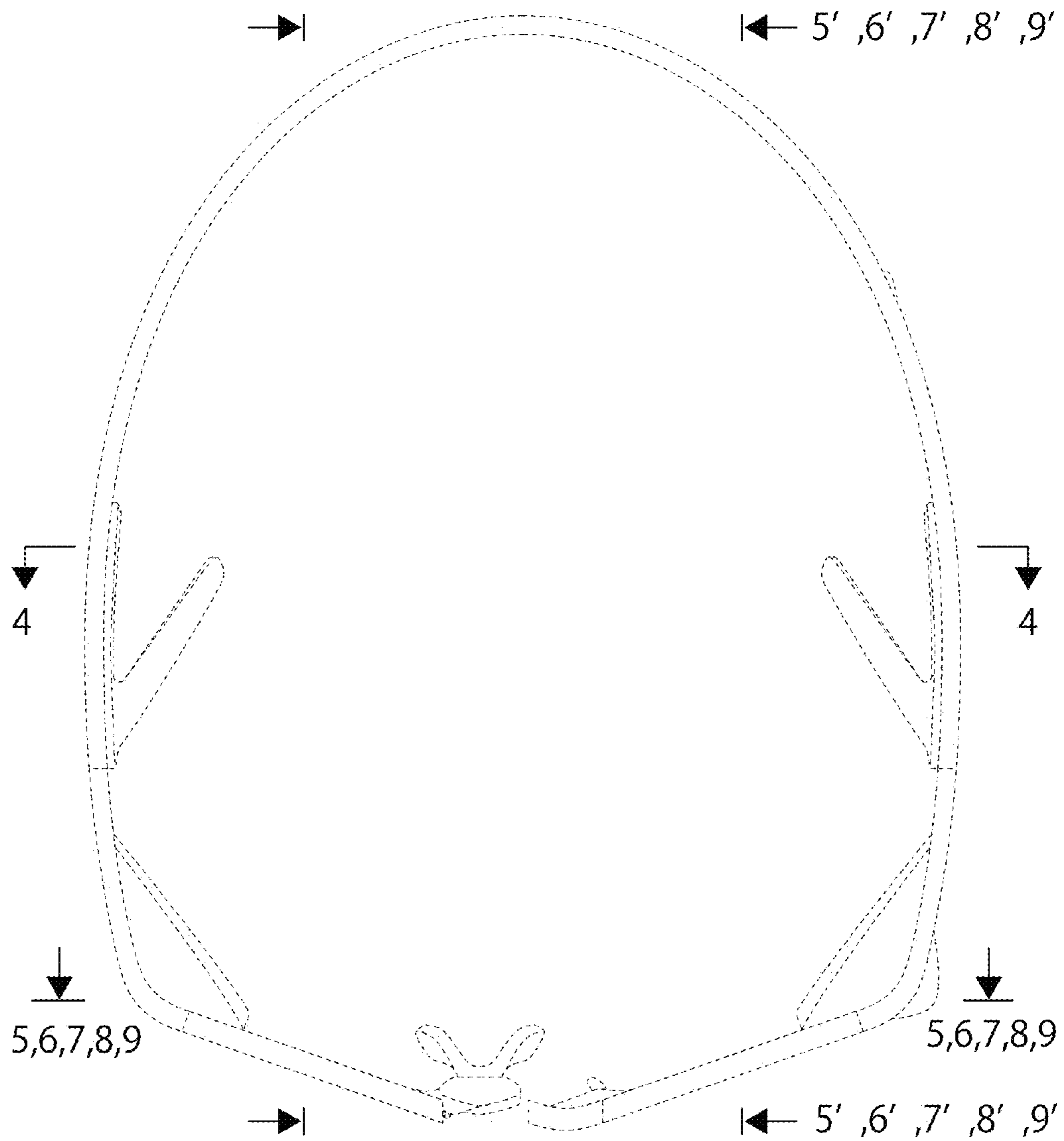


FIG.4

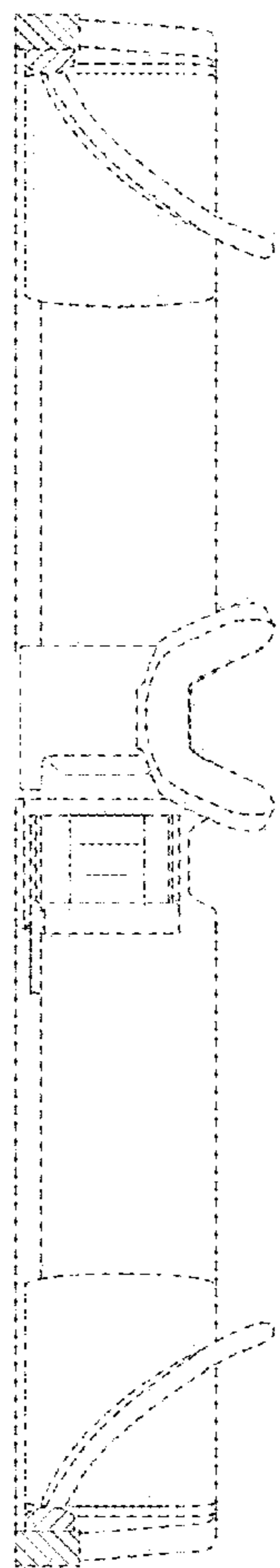


FIG.5

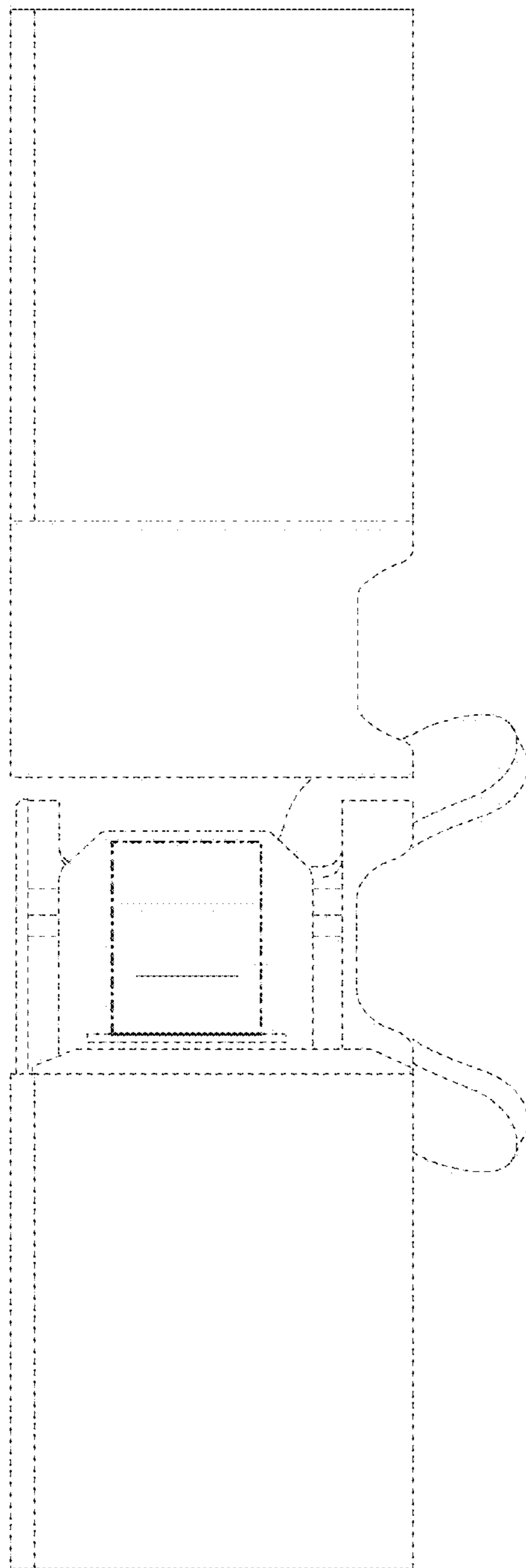


FIG.6

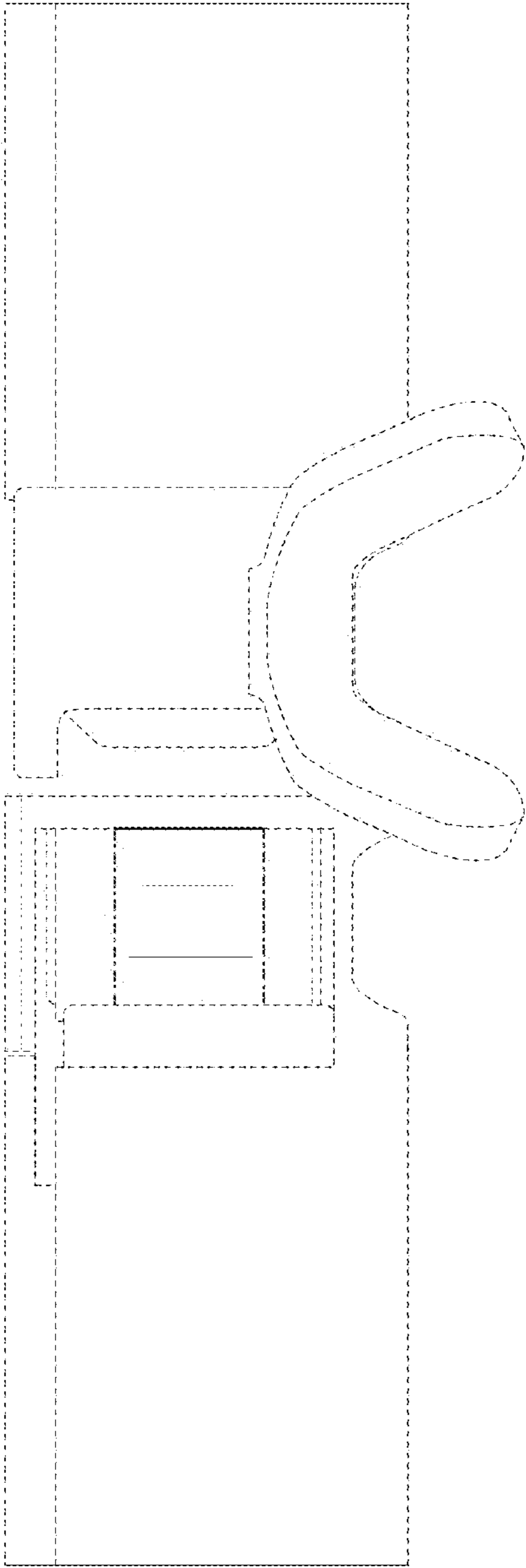


FIG.8

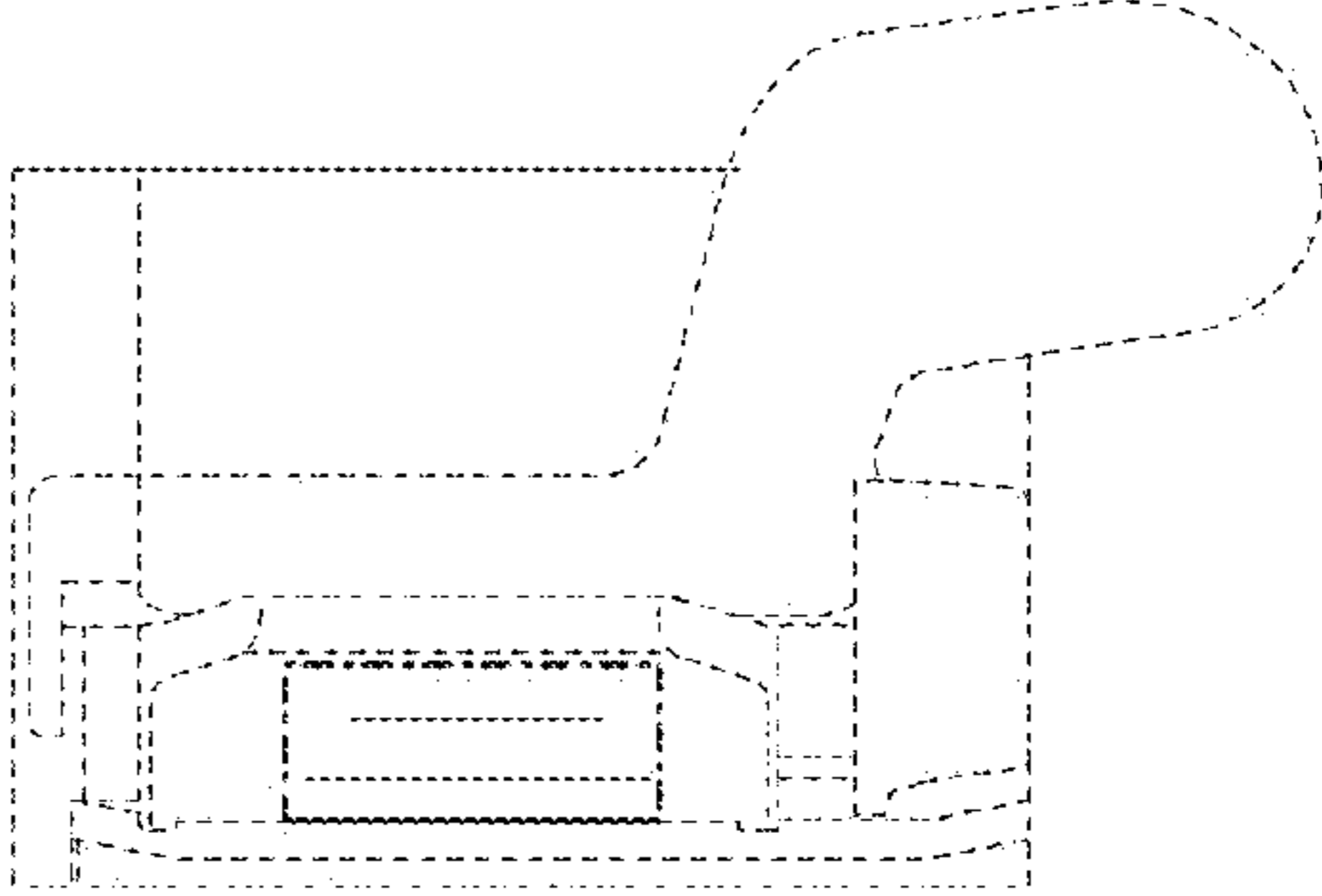


FIG.7

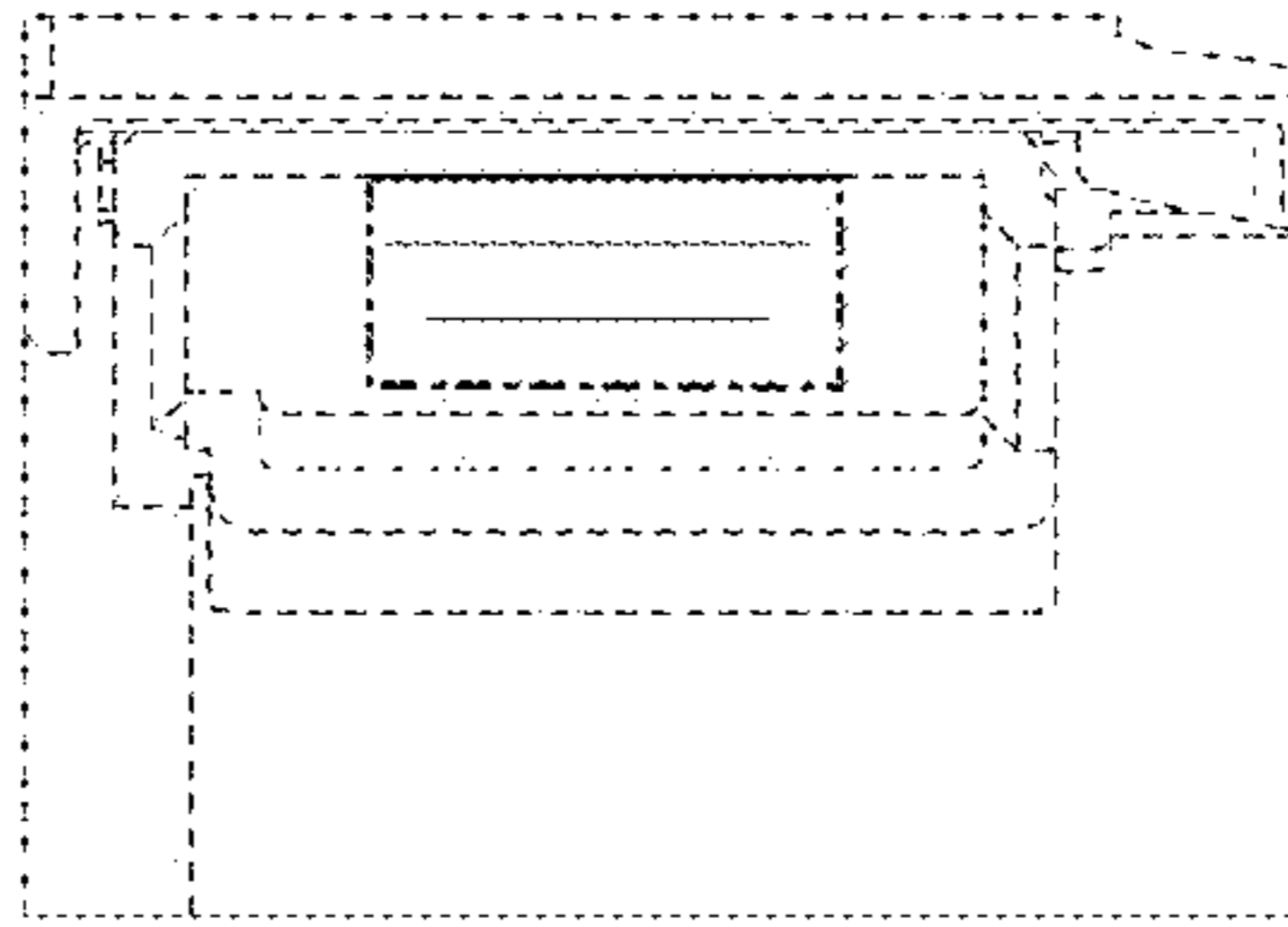


FIG. 9

