



US00D746278S

(12) **United States Design Patent**
Chen

(10) **Patent No.:** **US D746,278 S**
(45) **Date of Patent:** **** Dec. 29, 2015**

(54) **MOBILE COMPUTER**

(71) Applicant: **GETAC TECHNOLOGY CORPORATION**, Hsinchu County (TW)

(72) Inventor: **Ying-Chun Chen**, New Taipei (TW)

(73) Assignee: **Getac Technology Corporation**, Hsinchu County (TW)

(**) Term: **14 Years**

(21) Appl. No.: **29/459,175**

(22) Filed: **Jun. 26, 2013**

(51) **LOC (10) Cl.** **14-02**

(52) **U.S. Cl.**
USPC **D14/341**

(58) **Field of Classification Search**

USPC D14/341–347, 137, 138 R, 138 AA, D14/138 C, 138 G, 496, 203.1, 203.3, 203.4, D14/203.7, 129, 130, 147, 218, 247, 248, D14/250, 374, 385, 388, 389, 315–318, 407, D14/420, 426, 439; D10/50, 104.1; D21/329; D16/200, 202, 208, 219
CPC H04M 1/0202; H04M 1/0264; H04M 1/0214; H04M 1/0279; H04M 1/0281; H04M 1/0283; H04M 1/72544; H04M 1/72552; G06F 1/1613; G06F 1/1624; G06F 1/1626; G06F 1/165; G06F 3/0485; G06F 3/0488
See application file for complete search history.

(56) **References Cited**

U.S. PATENT DOCUMENTS

D494,164 S * 8/2004 Wu et al. D14/341
D533,552 S * 12/2006 Kuroiwa et al. D14/346

(Continued)

OTHER PUBLICATIONS

Where Performance & Mobility Collide, announced 2014 [online], [site visited May 12, 2015] Available from Internet, URL: <<http://us.getac.com/tablets/F110/features.html>>.*

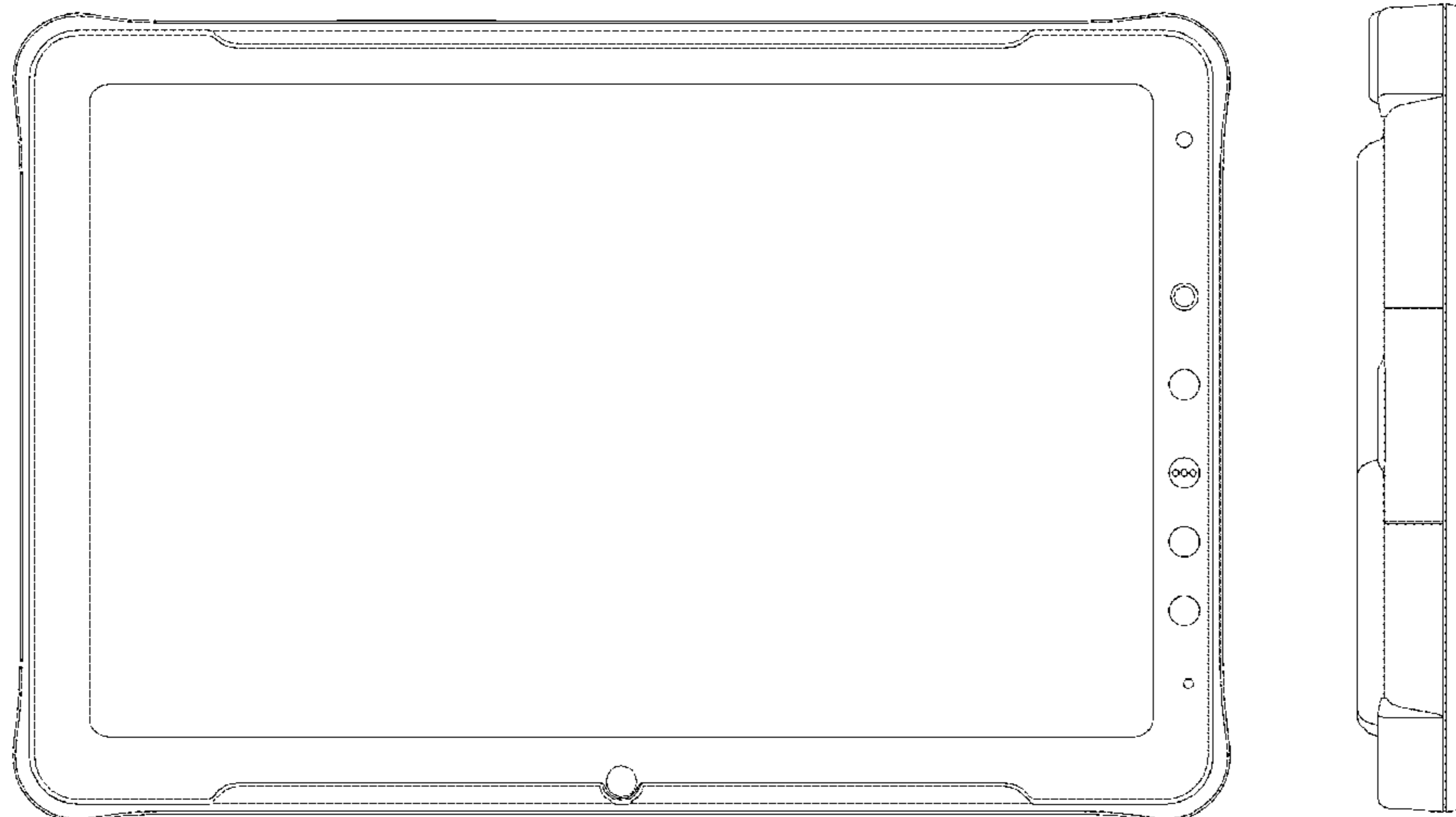
Primary Examiner — Barbara Fox
Assistant Examiner — Dana K Weiland

(57) **CLAIM**
The ornamental design for a mobile computer, as shown and described.

DESCRIPTION

FIG. 1 is a front perspective view showing a first embodiment of my new design;
FIG. 2 is a rear perspective view of the first embodiment of my new design;
FIG. 3 is a front view of the first embodiment of my new design;
FIG. 4 is a rear view of the first embodiment of my new design;
FIG. 5 is a left side view of the first embodiment of my new design;
FIG. 6 is a right side view of the first embodiment of my new design;
FIG. 7 is a top view of the first embodiment of my new design;
FIG. 8 is a bottom view of the first embodiment of my new design;
FIG. 9 is a front perspective view showing a second embodiment of my new design;
FIG. 10 is a rear perspective view of the second embodiment of my new design;
FIG. 11 is a front view of the second embodiment of my new design;
FIG. 12 is a rear view of the second embodiment of my new design;
FIG. 13 is a left side view of the second embodiment of my new design;
FIG. 14 is a right side view of the second embodiment of my new design;
FIG. 15 is a top view of the second embodiment of my new design; and,
FIG. 16 is a bottom view of the second embodiment of my new design.

1 Claim, 12 Drawing Sheets



(56)

References Cited

U.S. PATENT DOCUMENTS

D608,358 S *	1/2010	Ong	D14/345	D694,751 S *	12/2013	Ju	D14/341
D636,391 S *	4/2011	Shen et al.	D14/341	D694,752 S *	12/2013	Li	D14/341
D641,018 S *	7/2011	Lee et al.	D14/341	D701,203 S *	3/2014	Katori et al.	D14/341
D667,398 S *	9/2012	Koh	D14/341	D703,665 S *	4/2014	Suzuki et al.	D14/341
D672,767 S *	12/2012	Yoneya et al.	D14/341	D705,747 S *	5/2014	Boucquey et al.	D14/138 G
D676,043 S *	2/2013	Hirose	D14/341	D707,644 S *	6/2014	Asano et al.	D14/138 G
D688,221 S *	8/2013	Zuffo et al.	D14/138 G	D710,351 S *	8/2014	Park et al.	D14/341
D688,240 S *	8/2013	Wesolek	D14/341	D710,844 S *	8/2014	Lee et al.	D14/341
					D712,864 S *	9/2014	Hirota	D14/138 G
					D719,151 S *	12/2014	Hirayama et al.	D14/341
					2013/0271897 A1 *	10/2013	Limber et al.	361/679.01

* cited by examiner

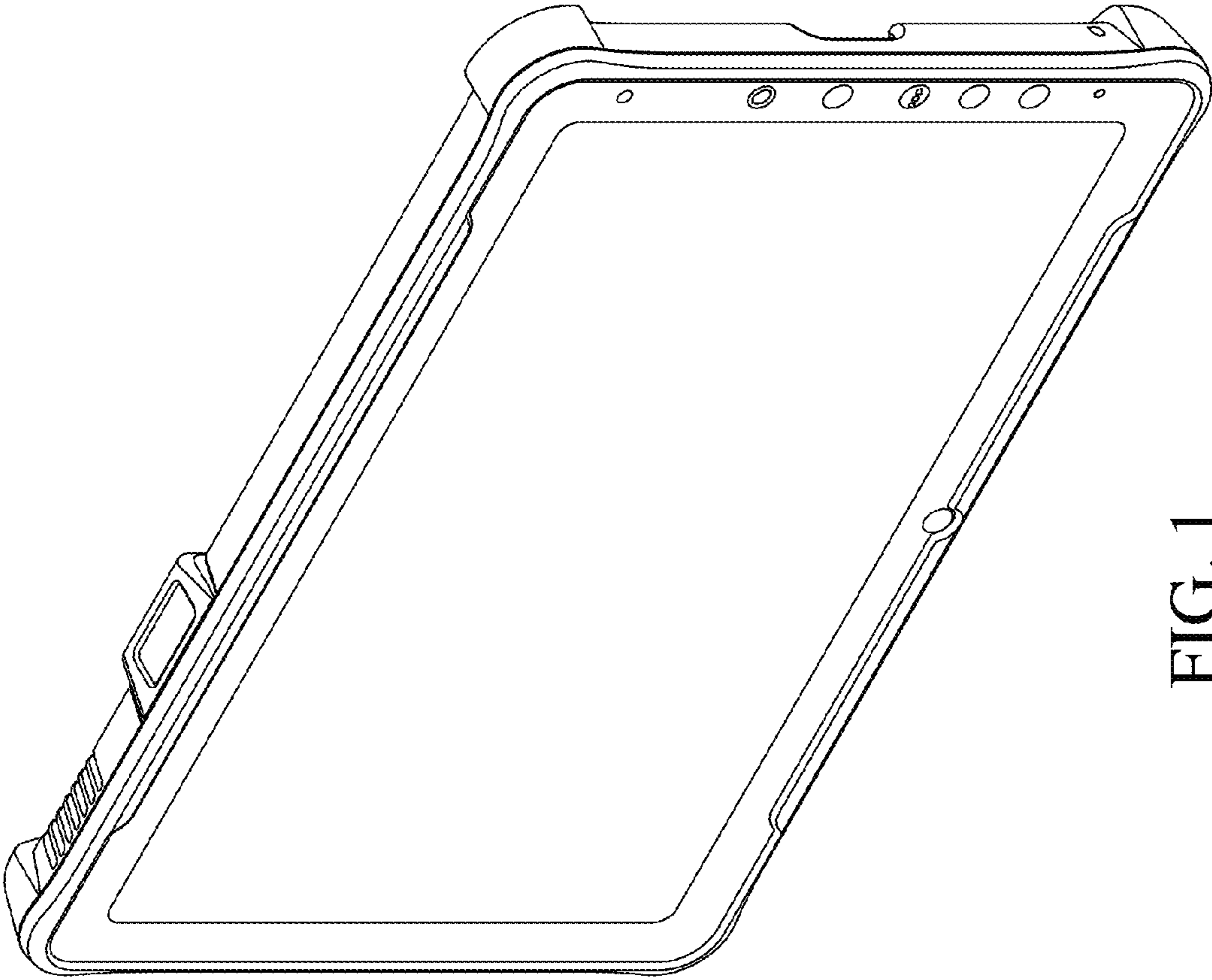


FIG. 1

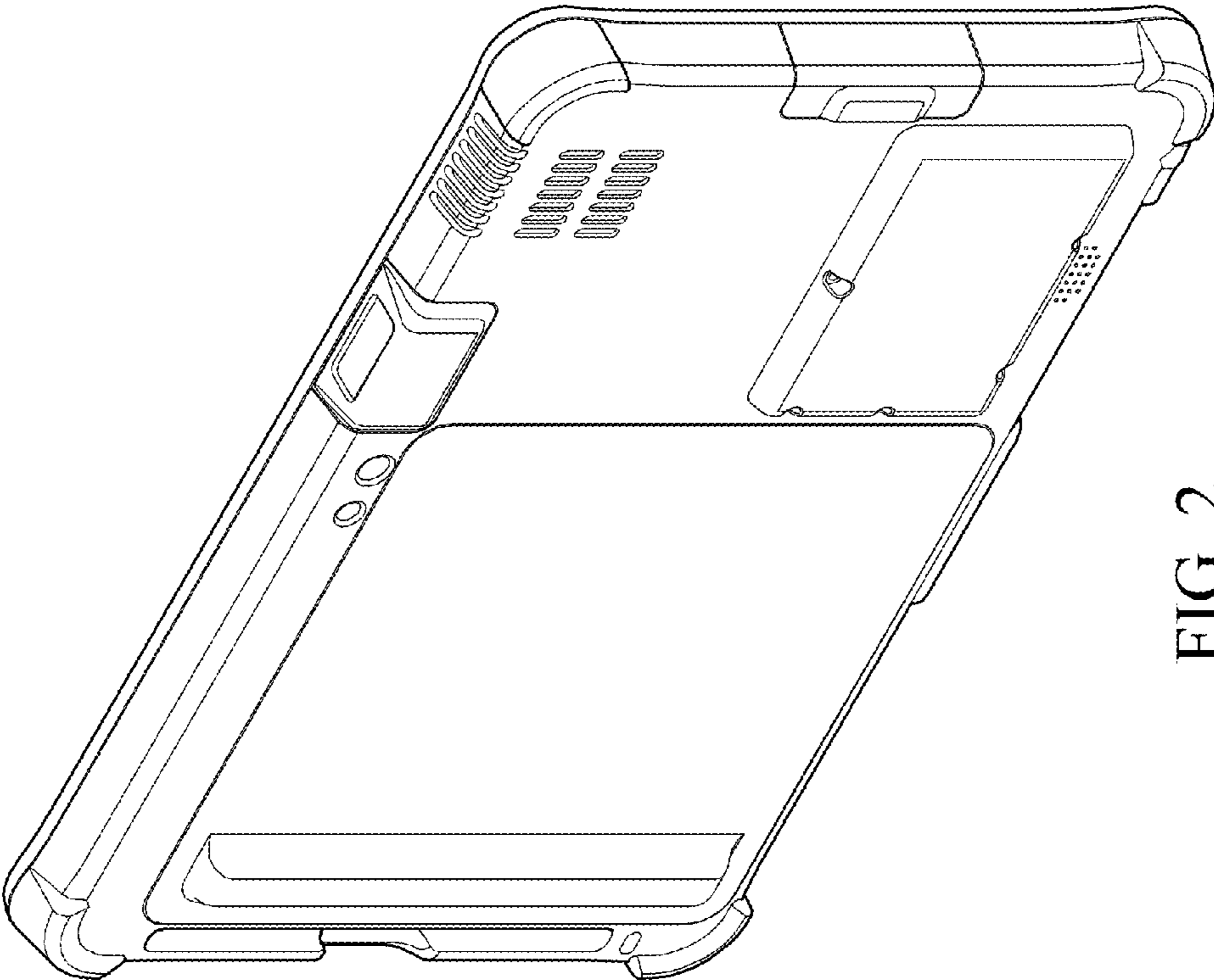


FIG. 2

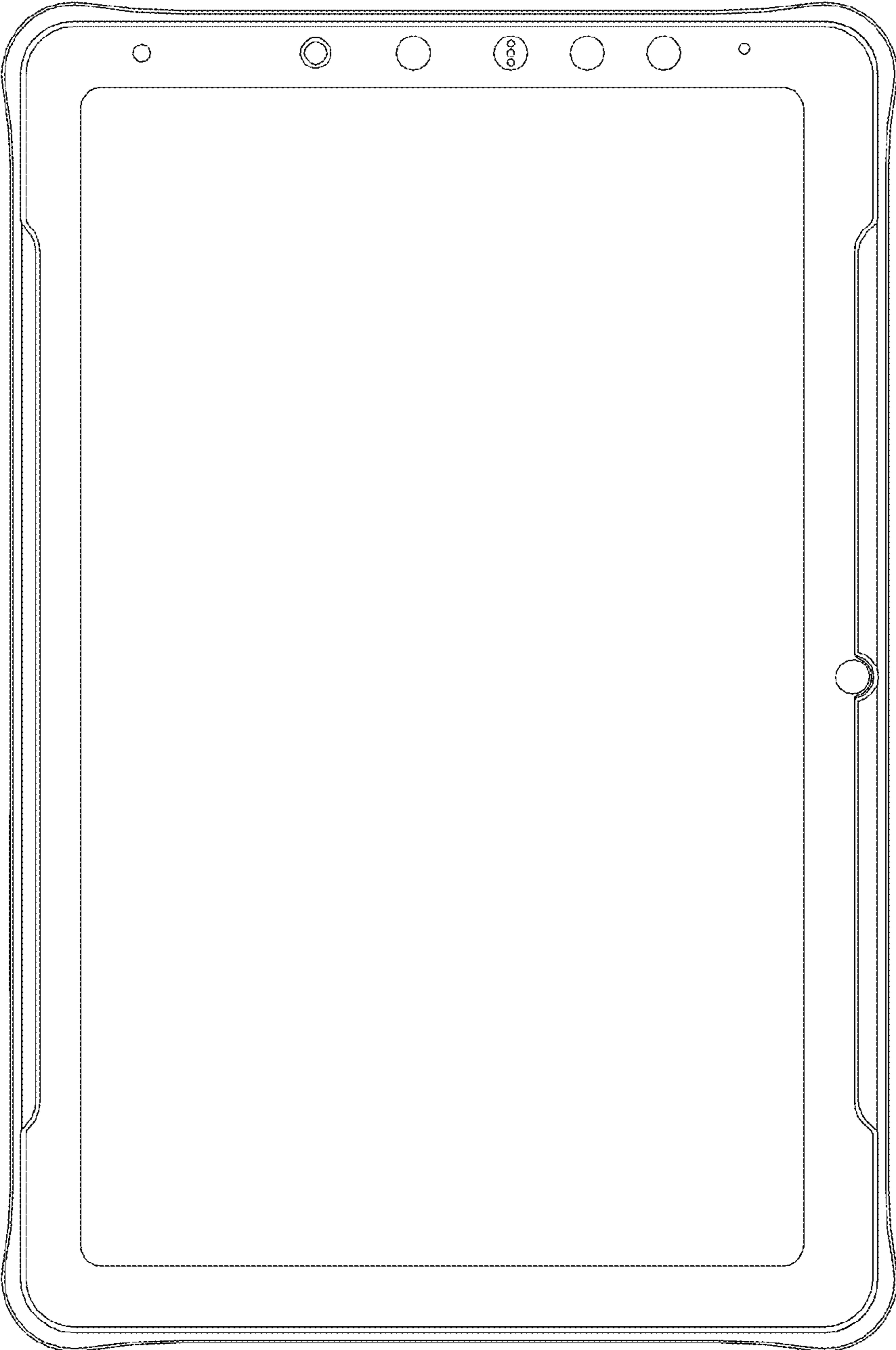


FIG. 3

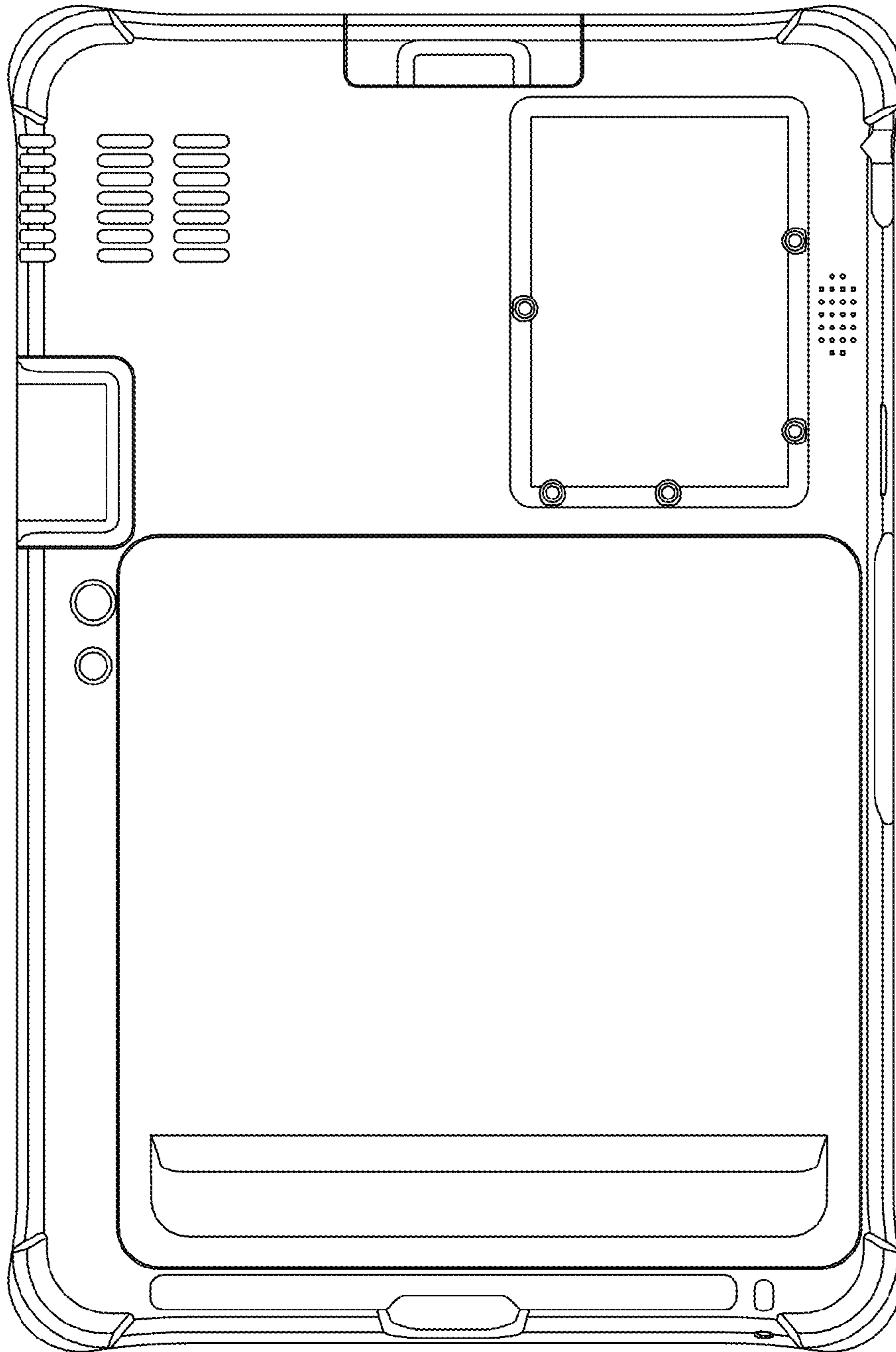


FIG. 4

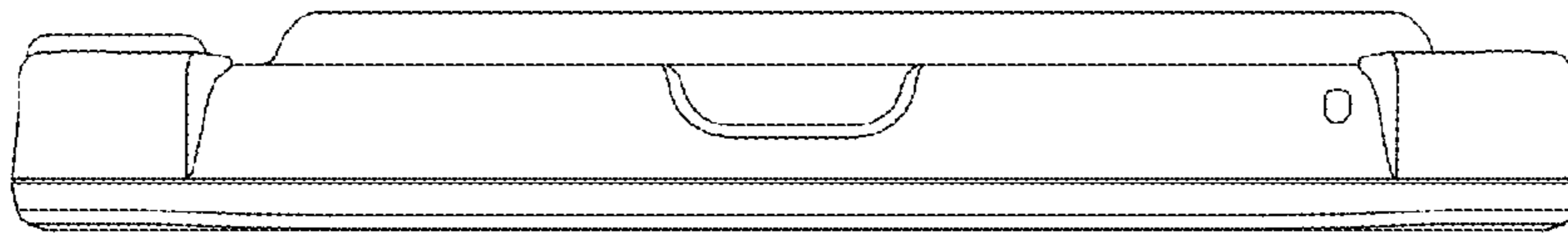


FIG. 6

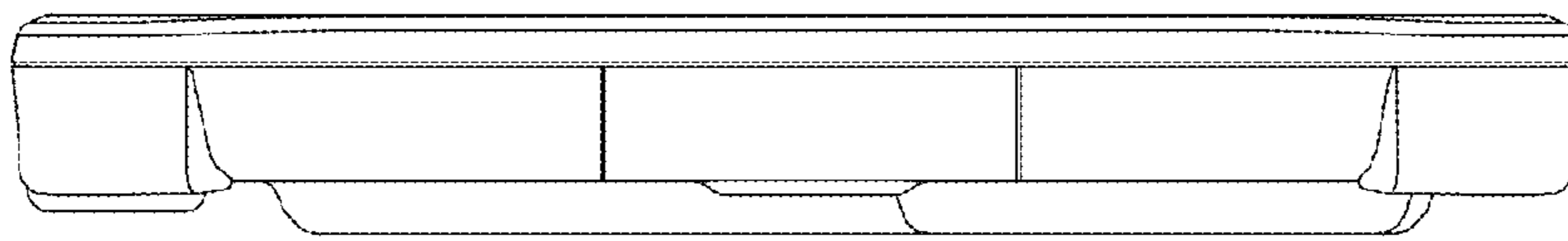


FIG. 5

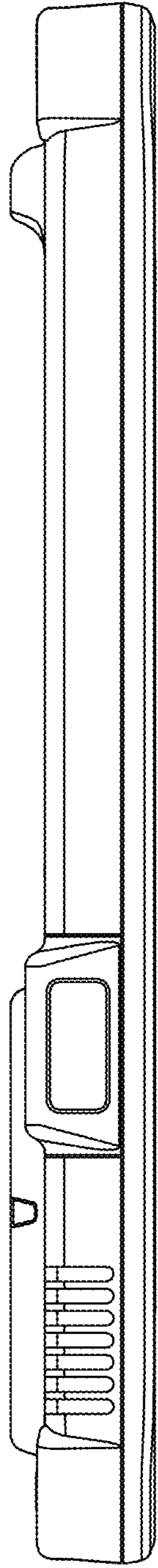


FIG. 7

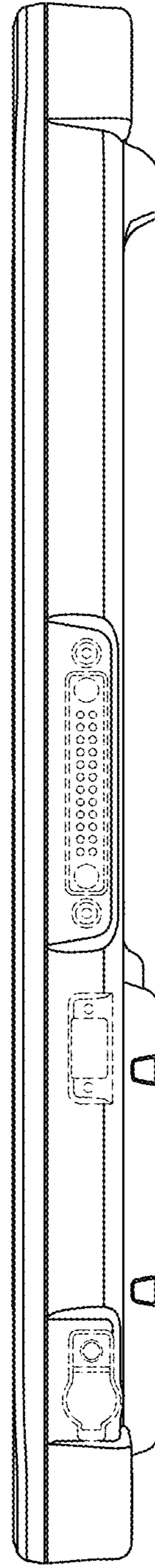


FIG. 8

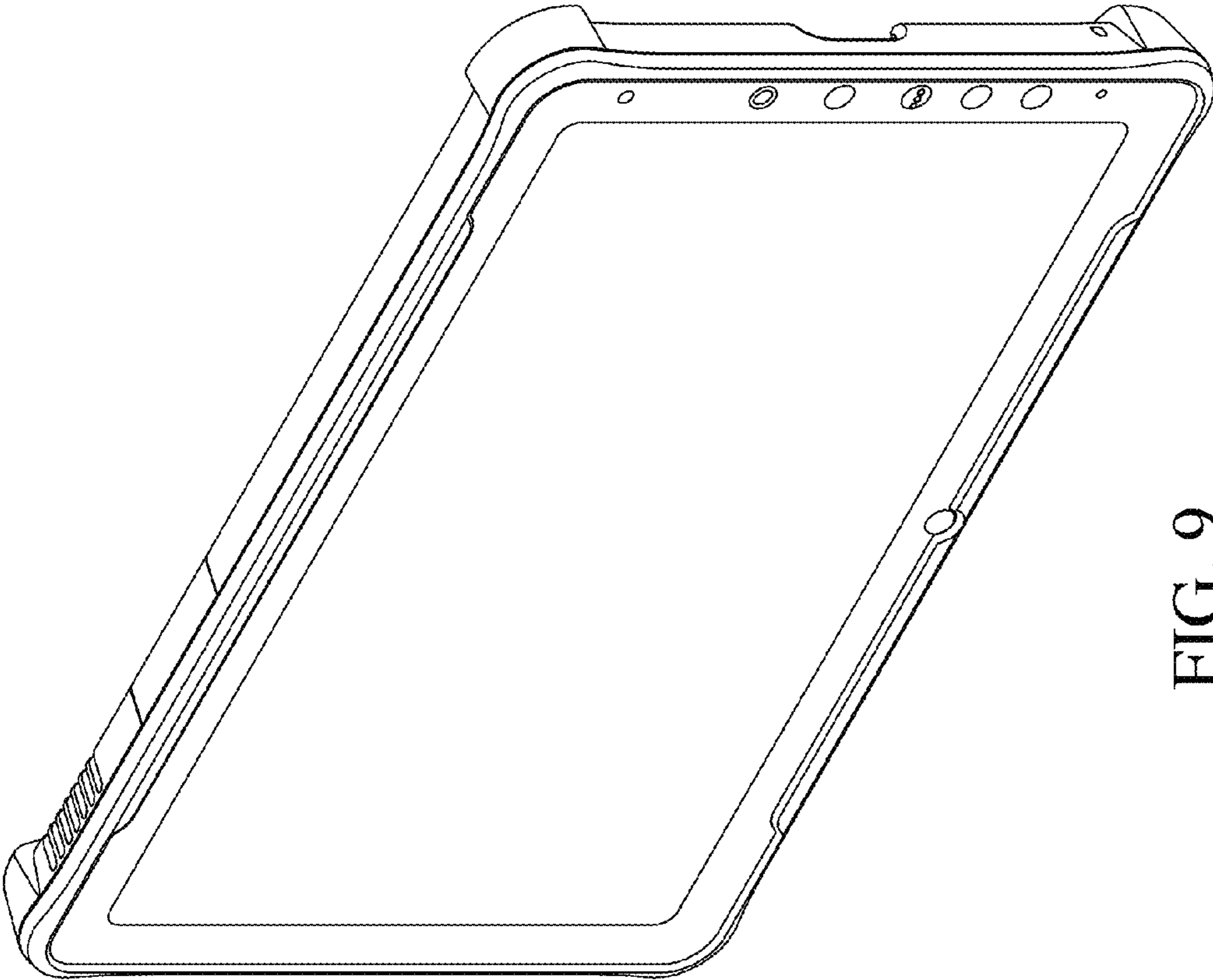


FIG. 9

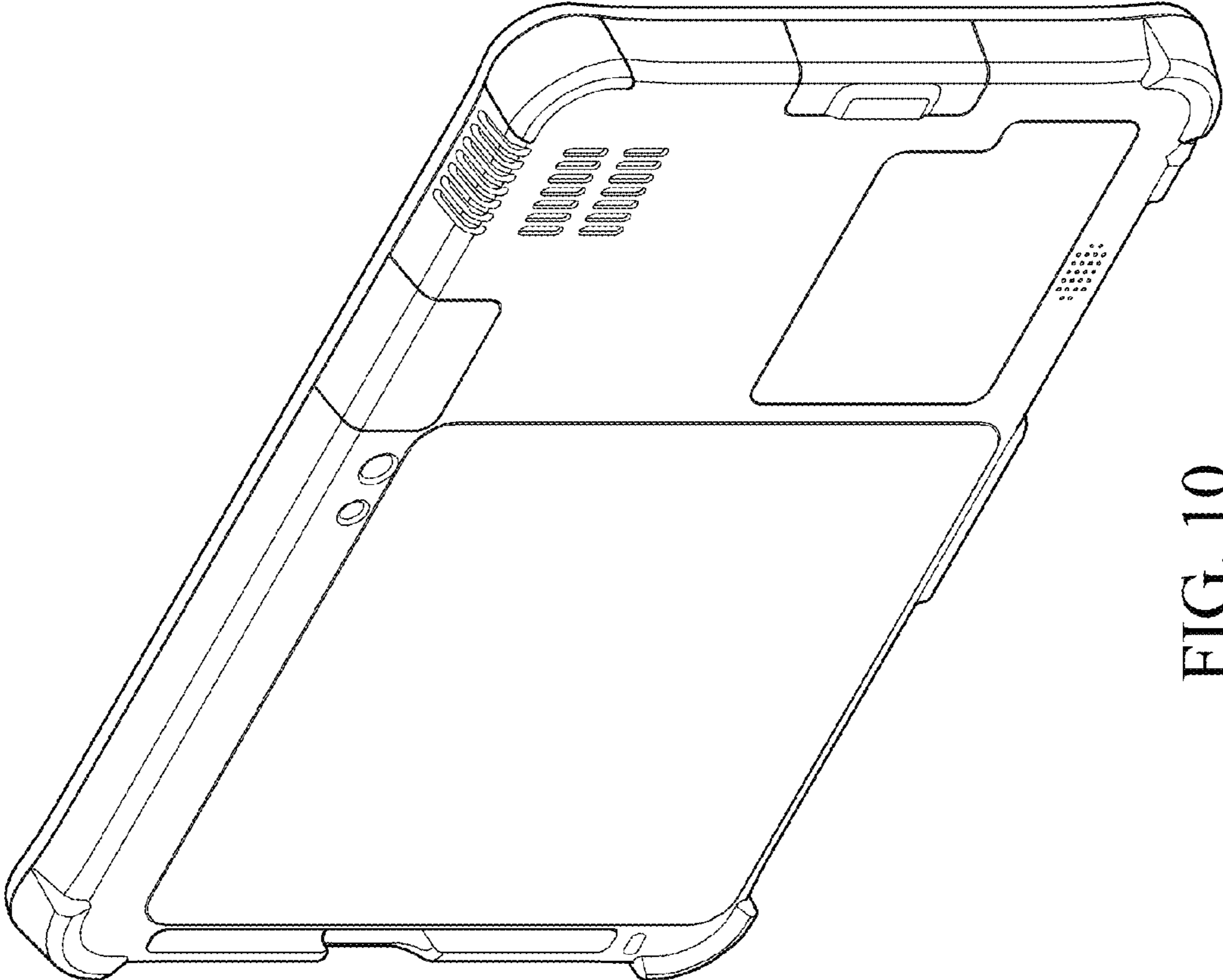


FIG. 10

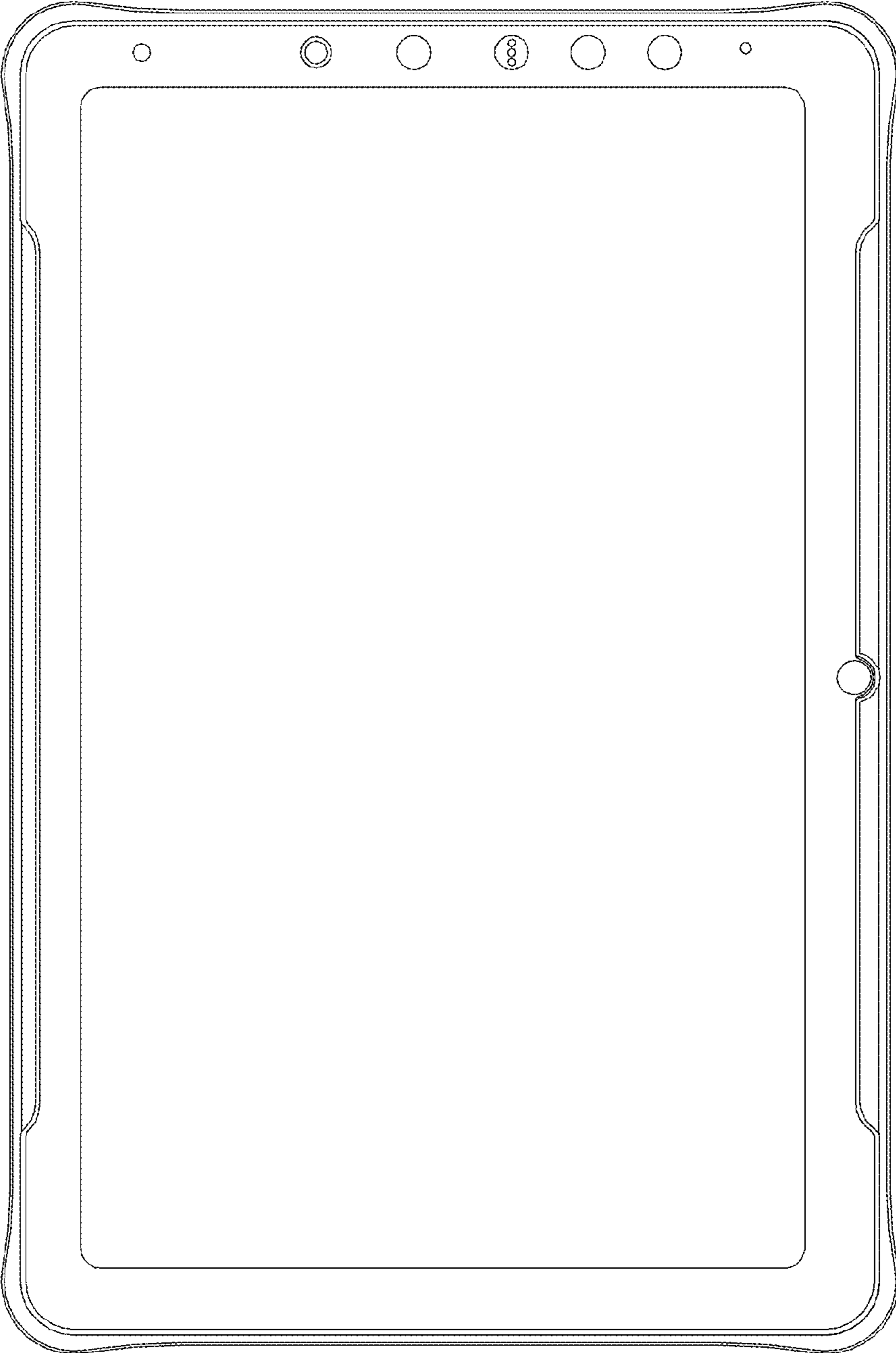


FIG. 11

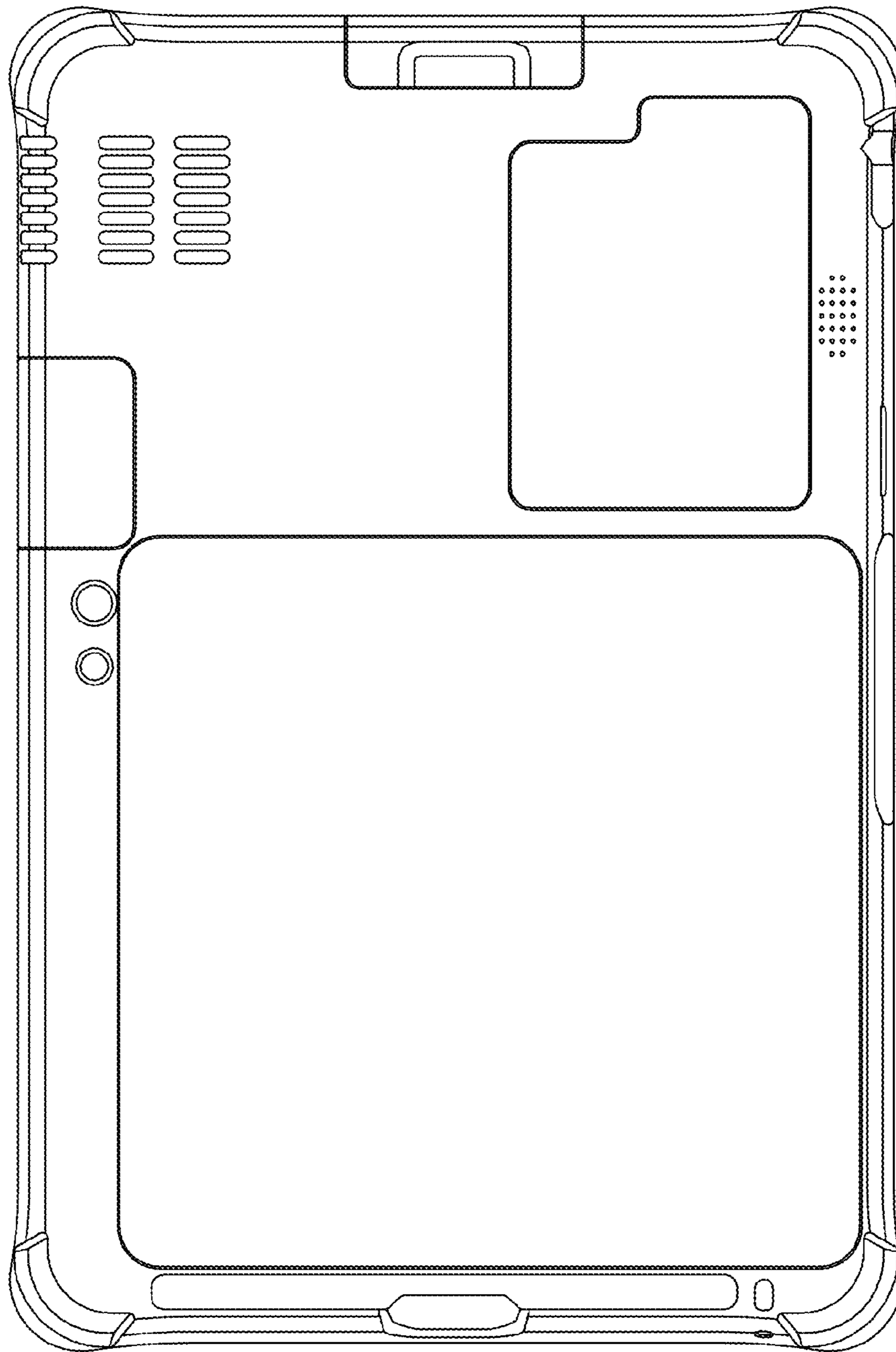


FIG. 12

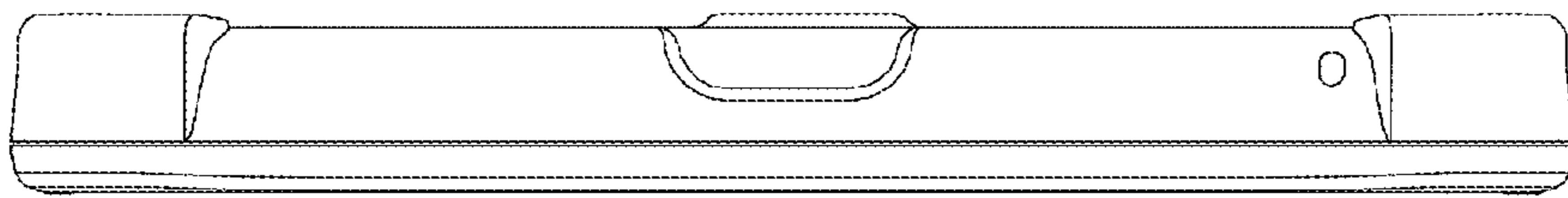


FIG. 14

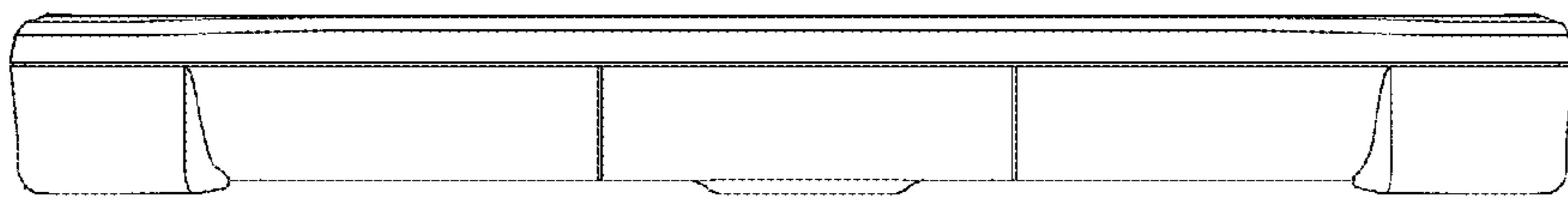


FIG. 13

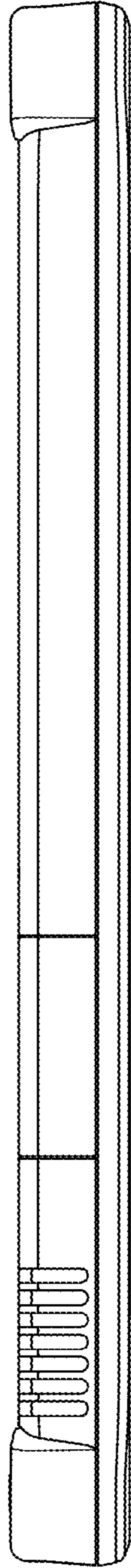


FIG. 15

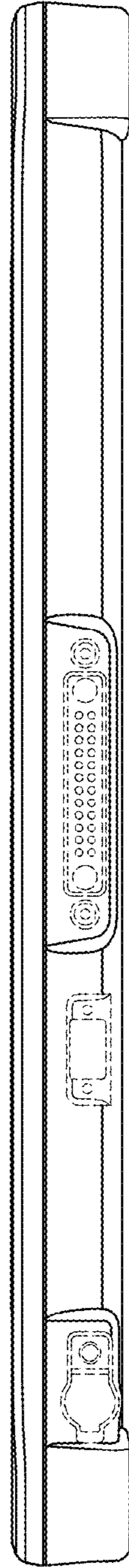


FIG. 16