



US00D746276S

(12) **United States Design Patent**
Schumaker et al.

(10) **Patent No.:** **US D746,276 S**
(45) **Date of Patent:** **** Dec. 29, 2015**

(54) **ELECTRONIC DEVICE**

(71) Applicant: **Endless Mobile, Inc.**, San Francisco, CA (US)

(72) Inventors: **Scott Schumaker**, San Francisco, CA (US); **Matthew Dalio**, San Francisco, CA (US)

(73) Assignee: **Endless Mobile, Inc.**, San Francisco, CA (US)

(**) Term: **14 Years**

(21) Appl. No.: **29/502,542**

(22) Filed: **Sep. 17, 2014**

(51) **LOC (10) Cl.** **14-02**

(52) **U.S. Cl.**
USPC **D14/314**

(58) **Field of Classification Search**
USPC D14/411, 433, 436, 137, 155,
D14/203.1-203.8, 240, 242, 312, 314, 216,
D14/207, 356-358, 365; D13/133, 154;
341/22
CPC A63H 5/00; A63H 13/02; A63H 29/22;
A63H 33/00; B25J 5/00; B25J 19/00; G05B
15/00; G05B 15/02; G06F 1/1626; G09B
5/06; G09B 19/00; G01S 15/93; H04L
67/306; H04R 1/04
See application file for complete search history.

(56) **References Cited**

U.S. PATENT DOCUMENTS

D462,068 S * 8/2002 Solland D14/216
D465,779 S * 11/2002 Solland D14/219
D484,113 S * 12/2003 Solland D14/207
D484,491 S * 12/2003 Solland D14/216
D485,544 S * 1/2004 Solland D14/216
D518,041 S * 3/2006 Sun D14/302
D601,555 S * 10/2009 Zhang D14/300

D603,374 S * 11/2009 Peters D14/216
D647,508 S * 10/2011 Lee D14/216
D716,289 S * 10/2014 Park D14/314
D727,867 S * 4/2015 Chao D14/130
D730,891 S * 6/2015 Wang D14/314

OTHER PUBLICATIONS

Lapowsky, Issie, The Innovative OS_Wired. Wired Magazine [online], [Apr. 17, 2015]. [retrieved Sep. 2, 2015]. Retrieved from the Internet <URL: http://www.wired.com/2015/04/endless/>.*

* cited by examiner

Primary Examiner — Karen E Kearney
Assistant Examiner — Nathaniel D Buckner

(74) *Attorney, Agent, or Firm* — Jeffrey Schox; Thomas Gwinn

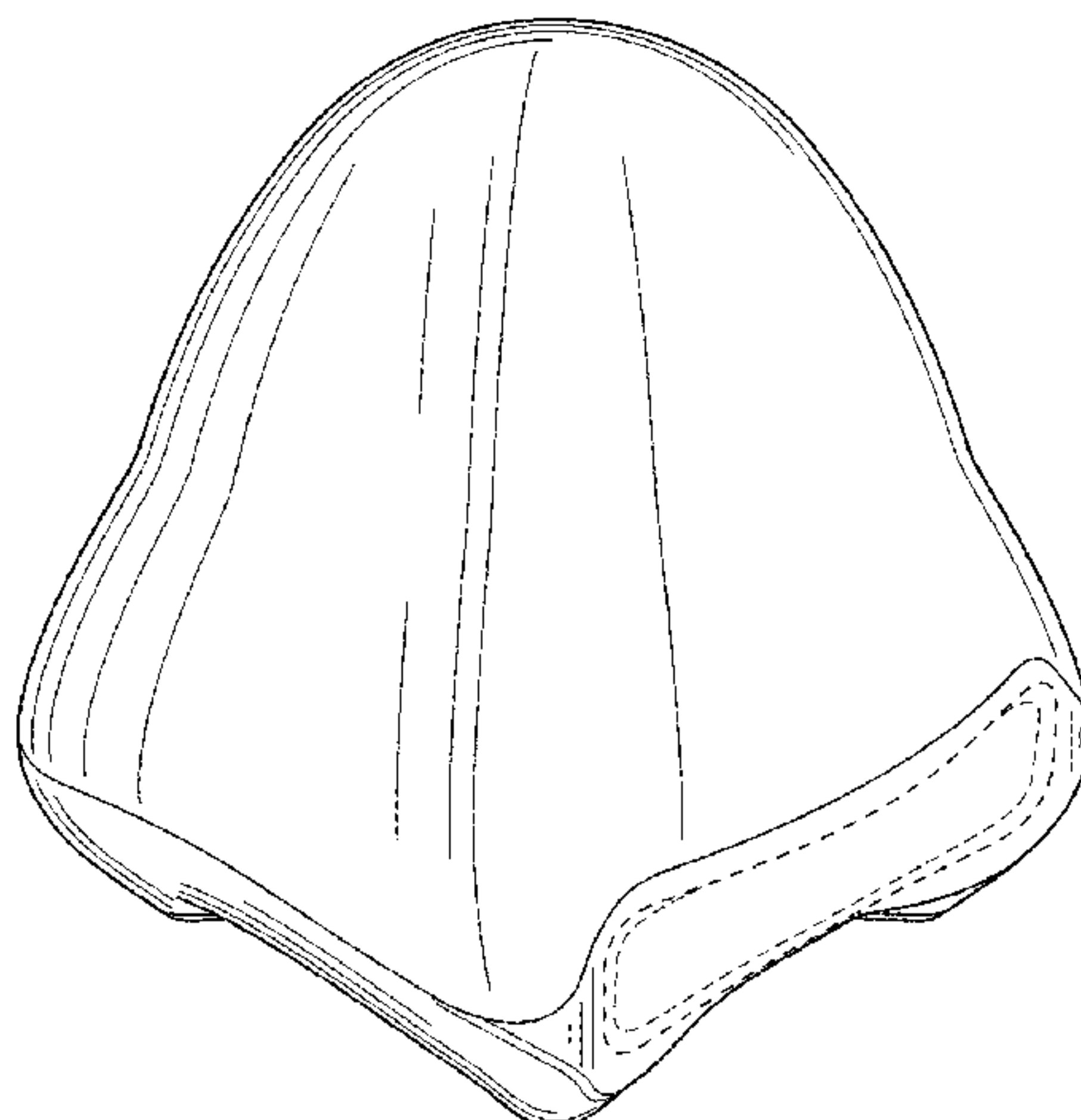
(57) **CLAIM**

The ornamental design for an electronic device, as shown and described.

DESCRIPTION

FIG. 1 is an isometric view, from an upper front right, of the electronic device;
FIG. 2 is an isometric view, from an upper back left, of the electronic device;
FIG. 3 is an isometric view, from a lower front left, of the electronic device;
FIG. 4 is an elevation view of a right side of the electronic device;
FIG. 5 is an elevation view of a left side of the electronic device;
FIG. 6 is a plan view of a top of the electronic device;
FIG. 7 is a plan view of a bottom of the electronic device;
FIG. 8 is an elevation view of a back of the electronic device; and,
FIG. 9 is an elevation view of a front of the electronic device. The broken lines in the Figures show portions of the electronic device, which form no part of the claimed design.

1 Claim, 5 Drawing Sheets



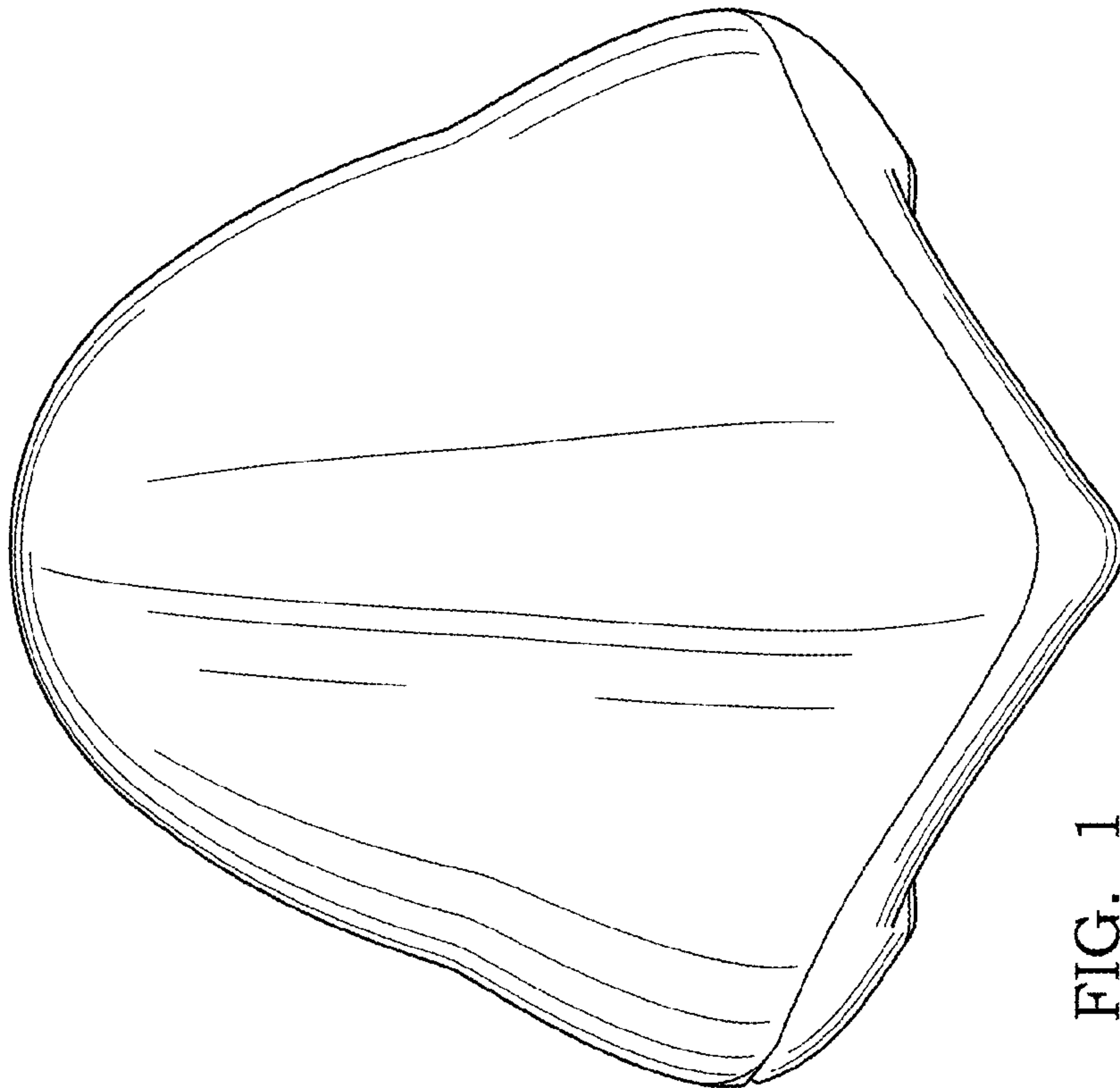


FIG. 1

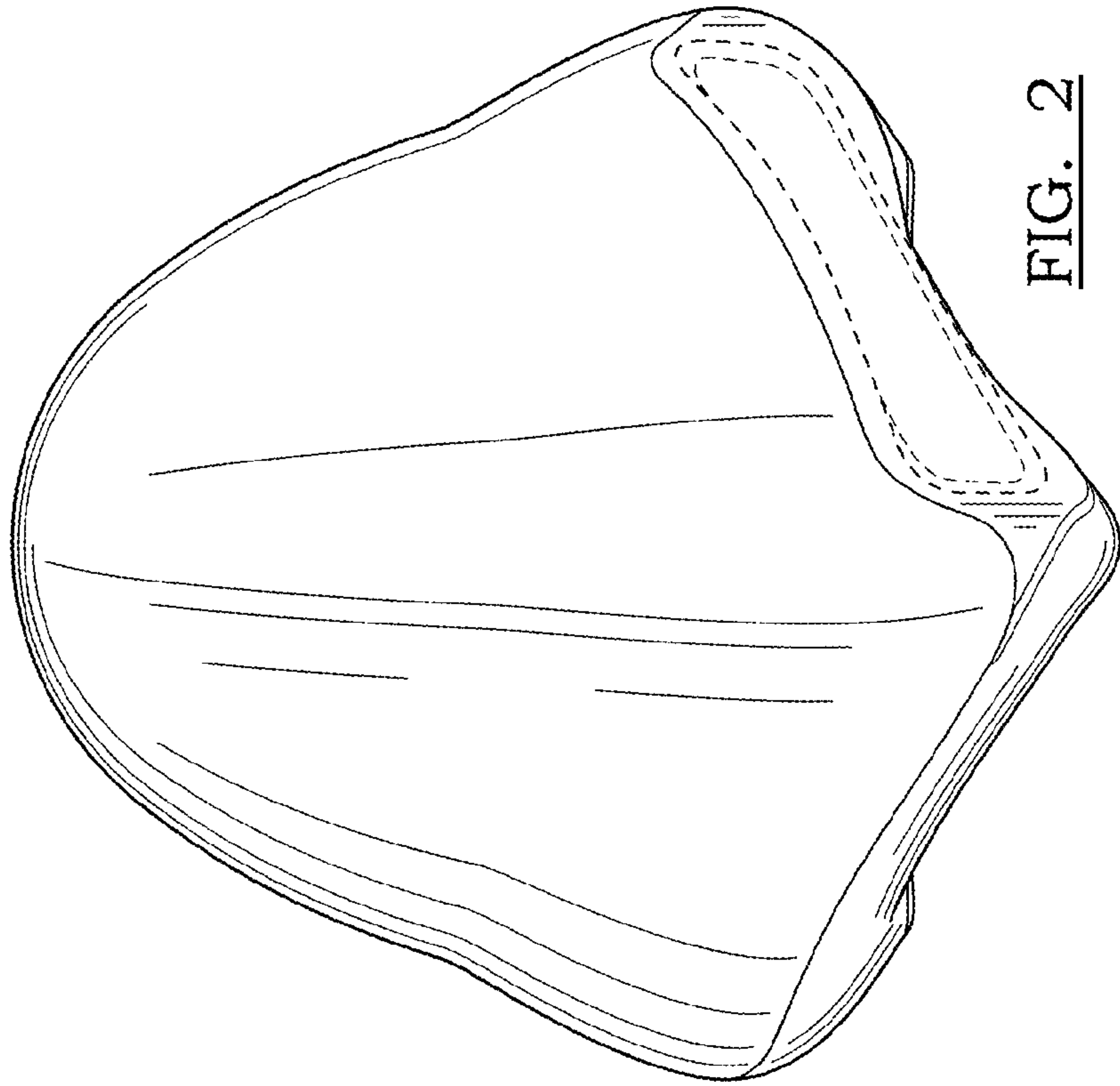


FIG. 2

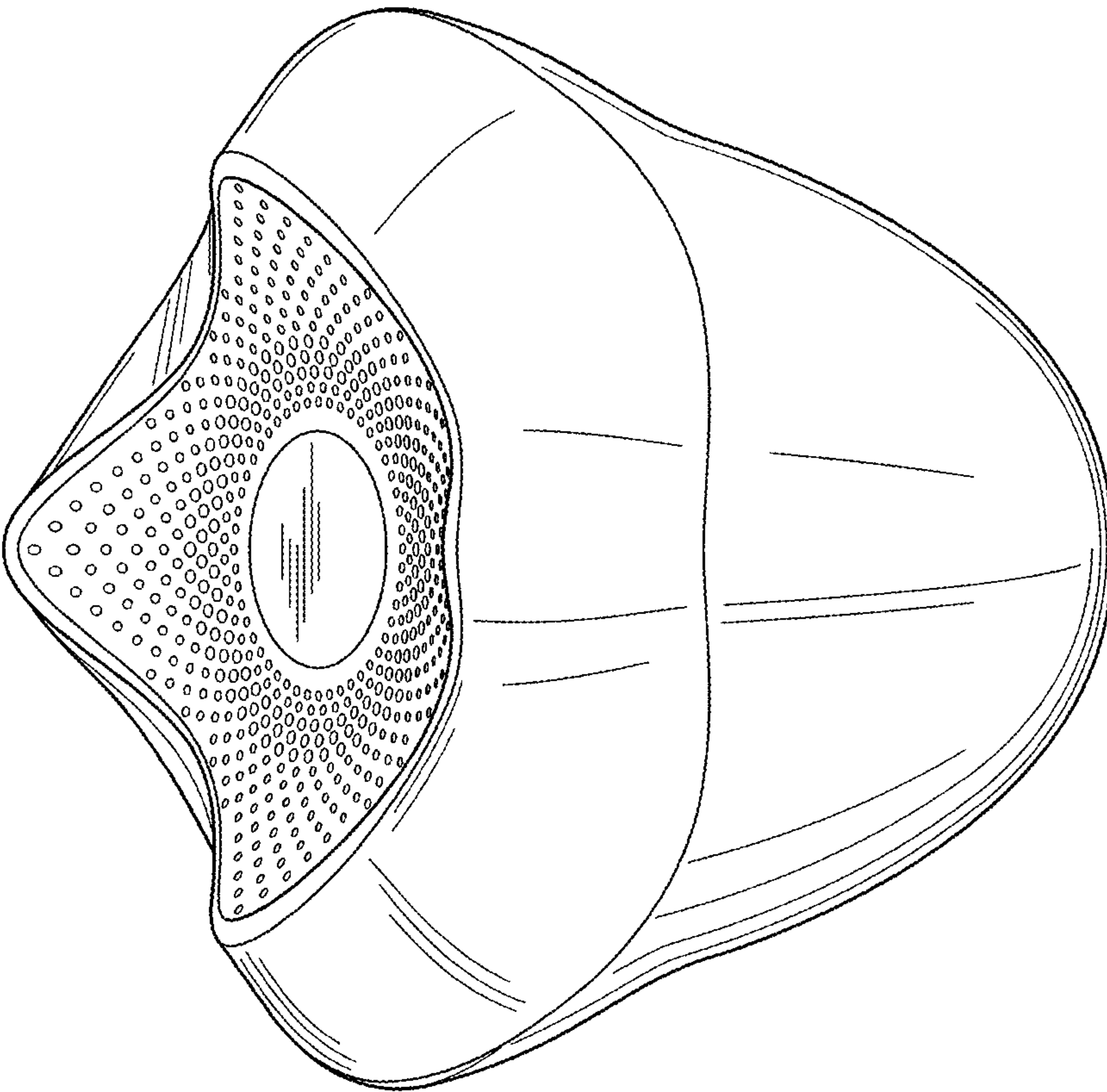


FIG. 3

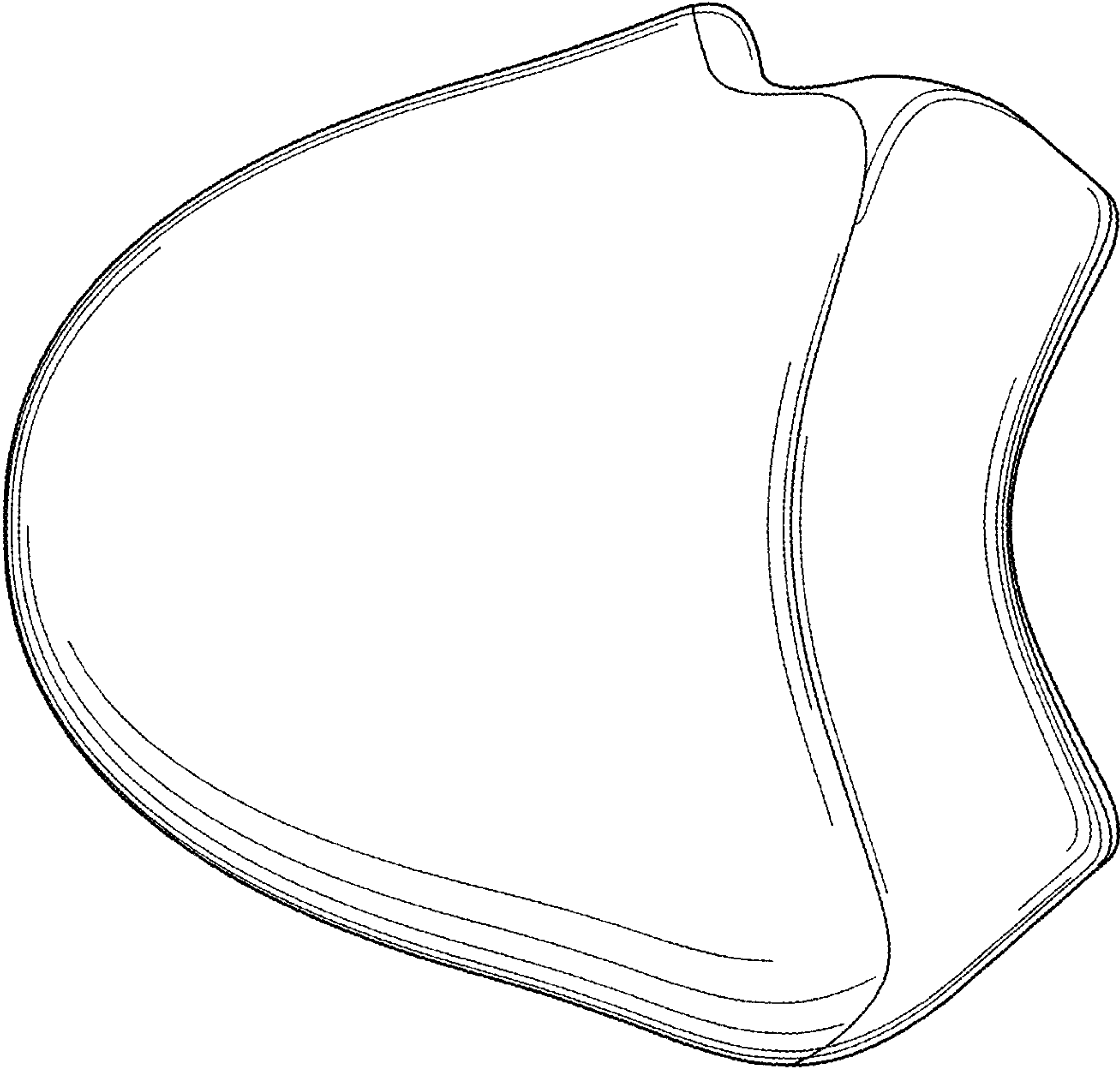


FIG. 5

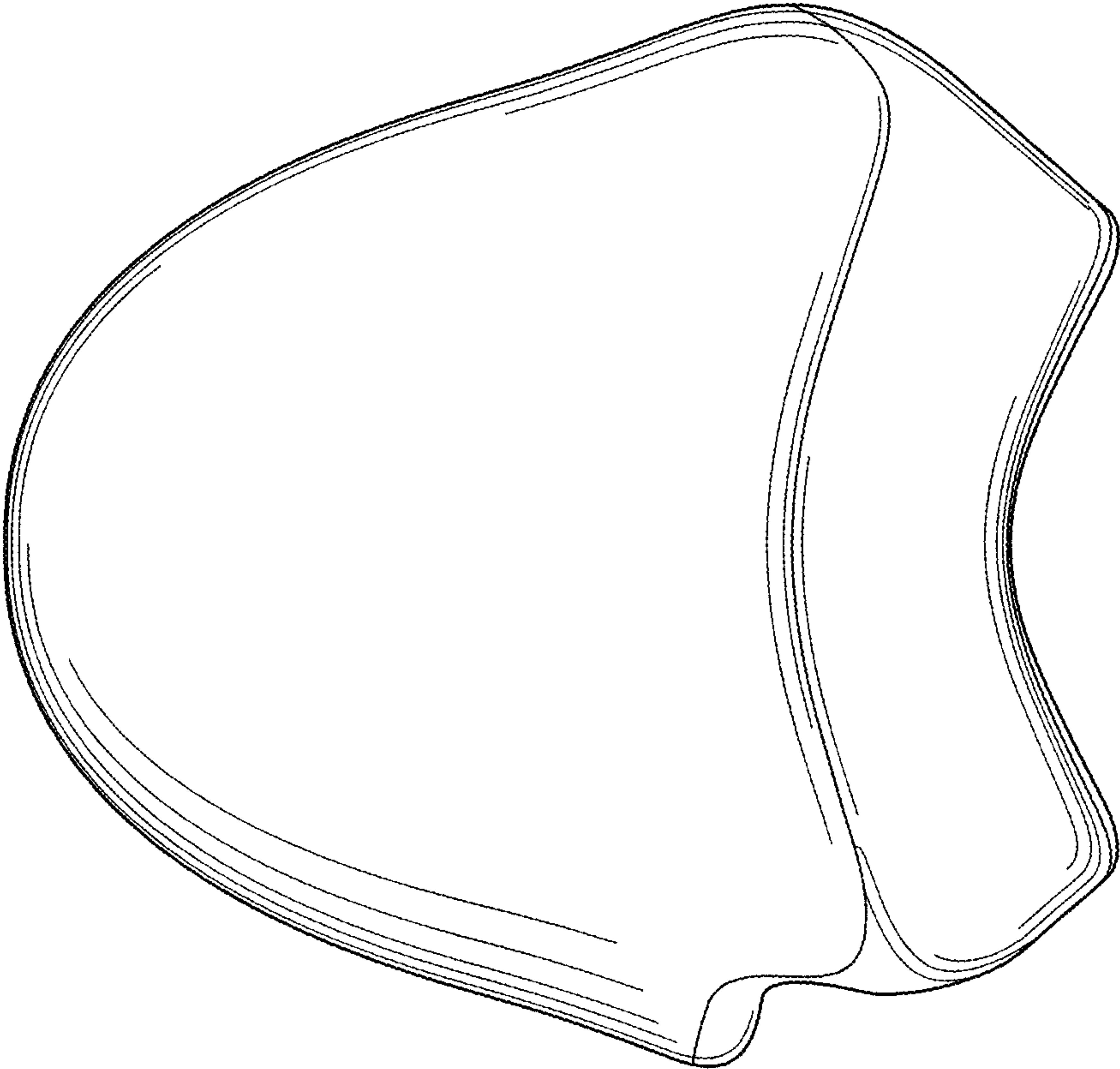


FIG. 4

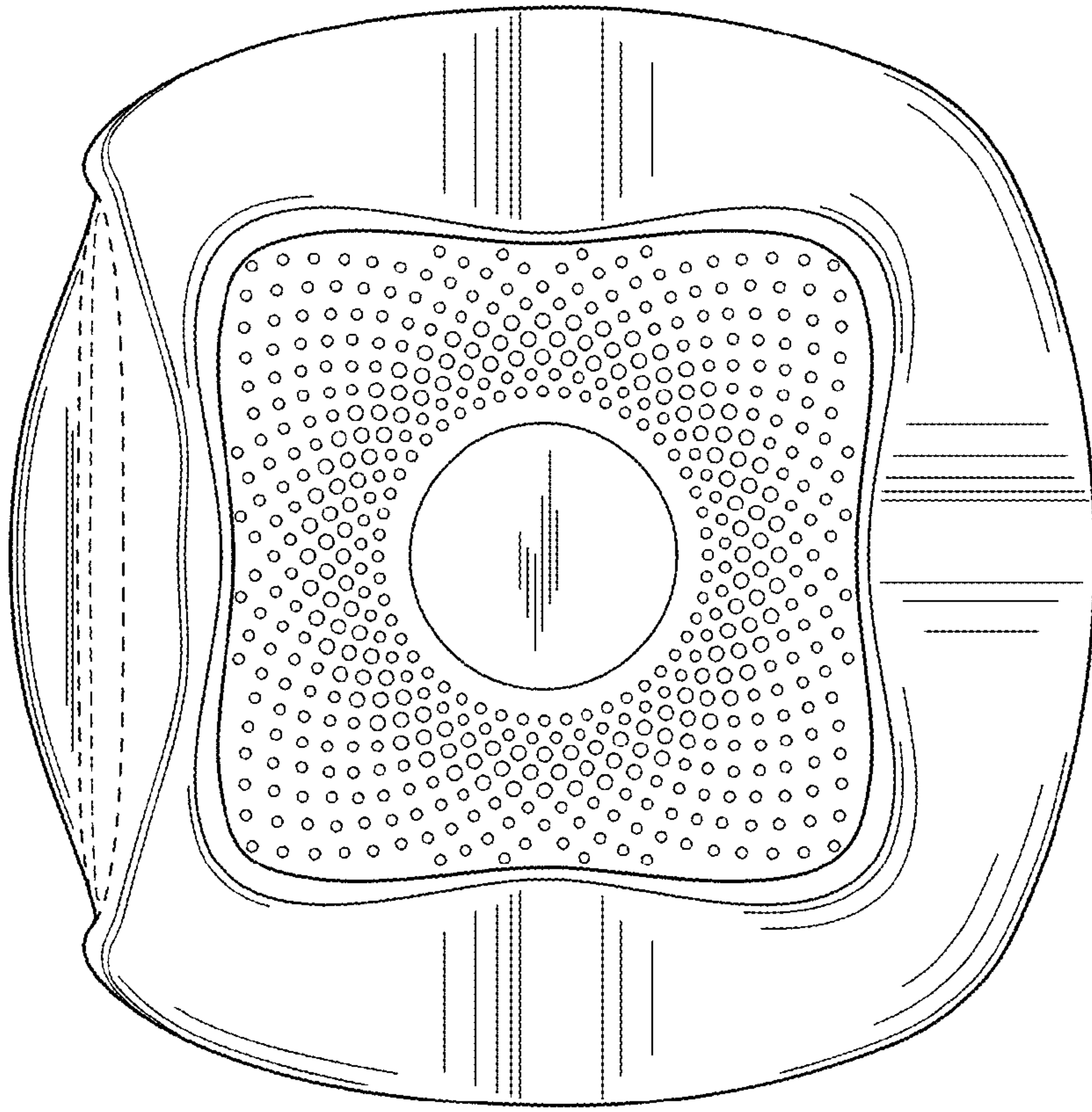


FIG. 7

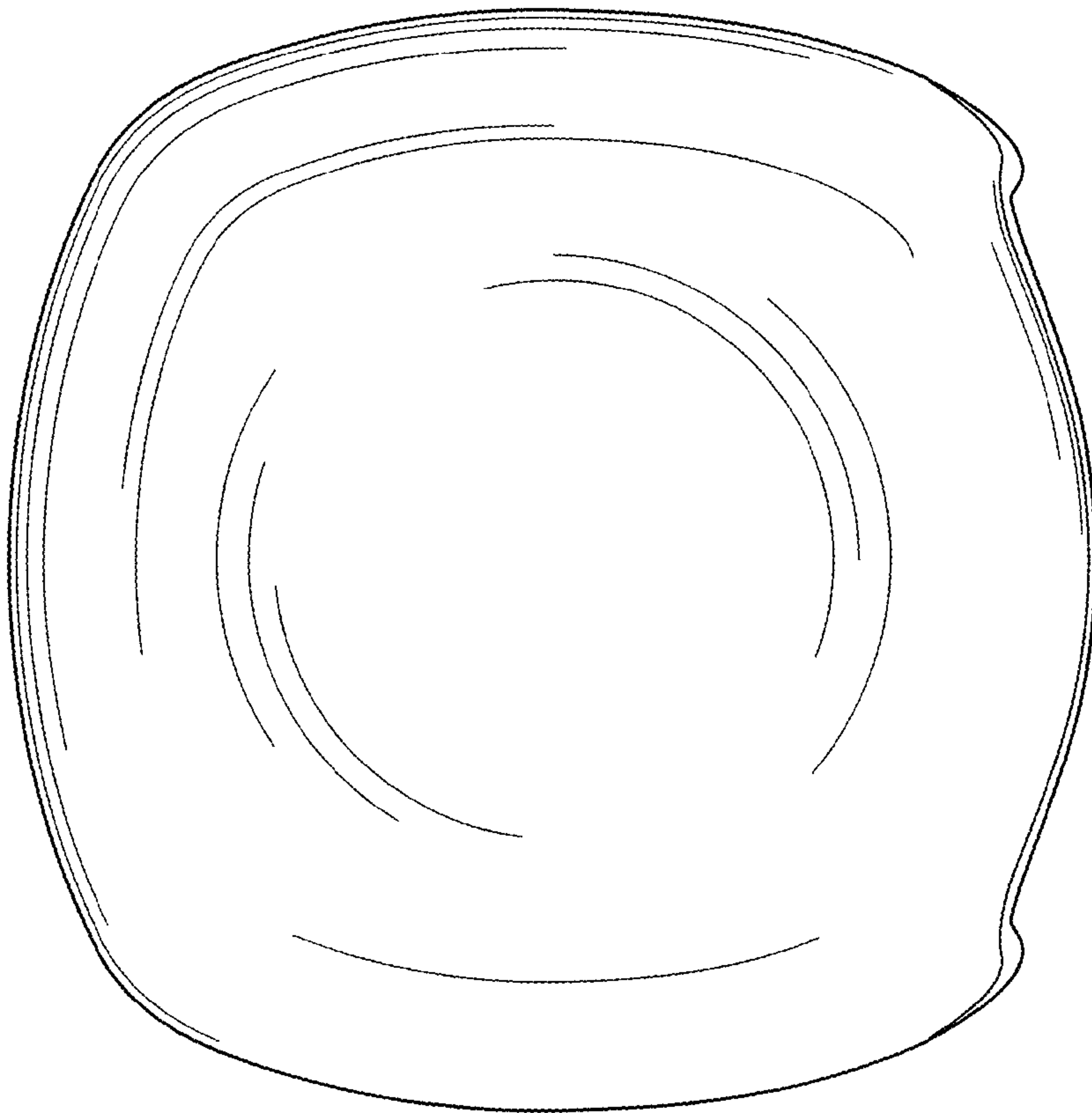


FIG. 6

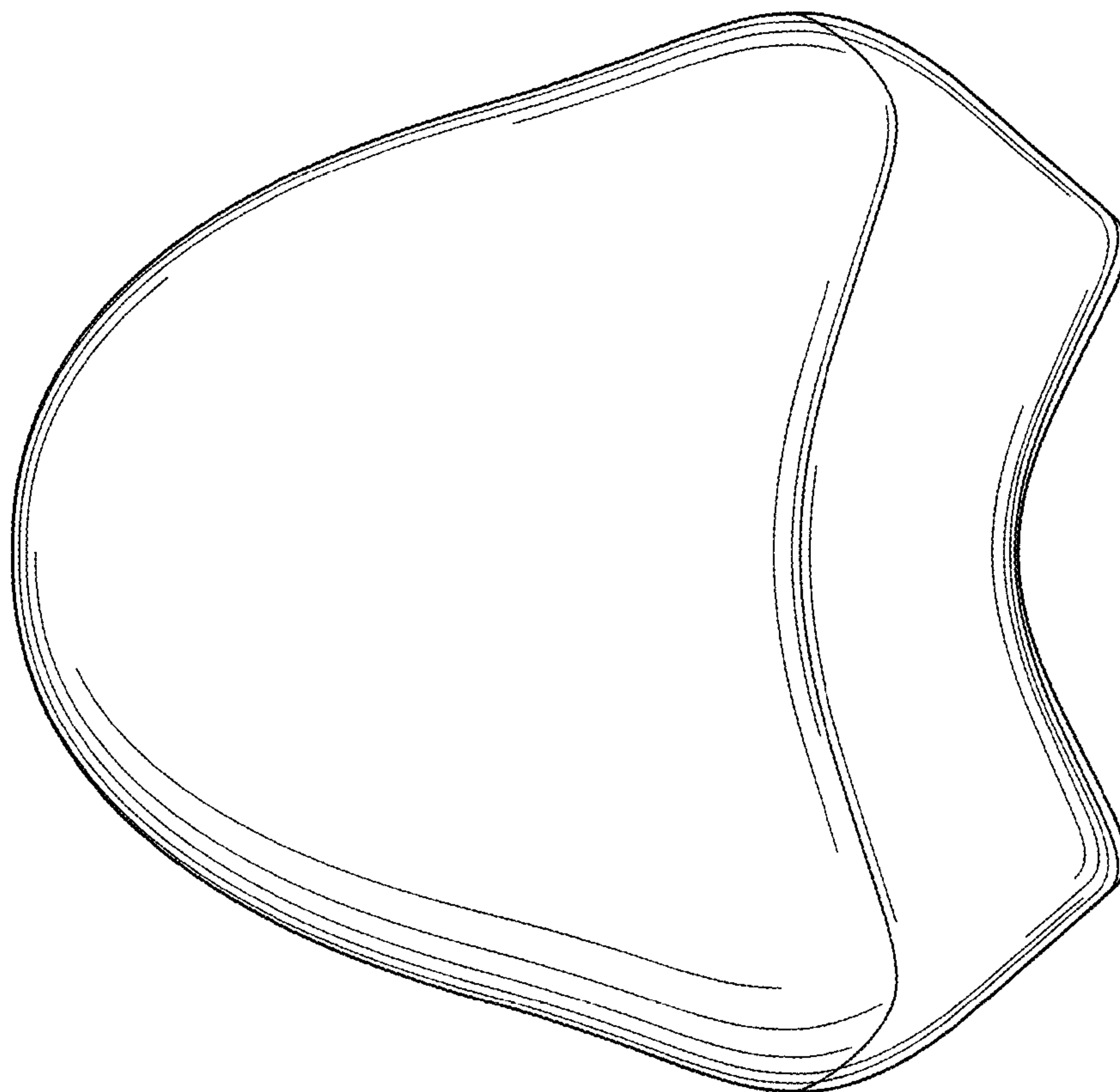


FIG. 9

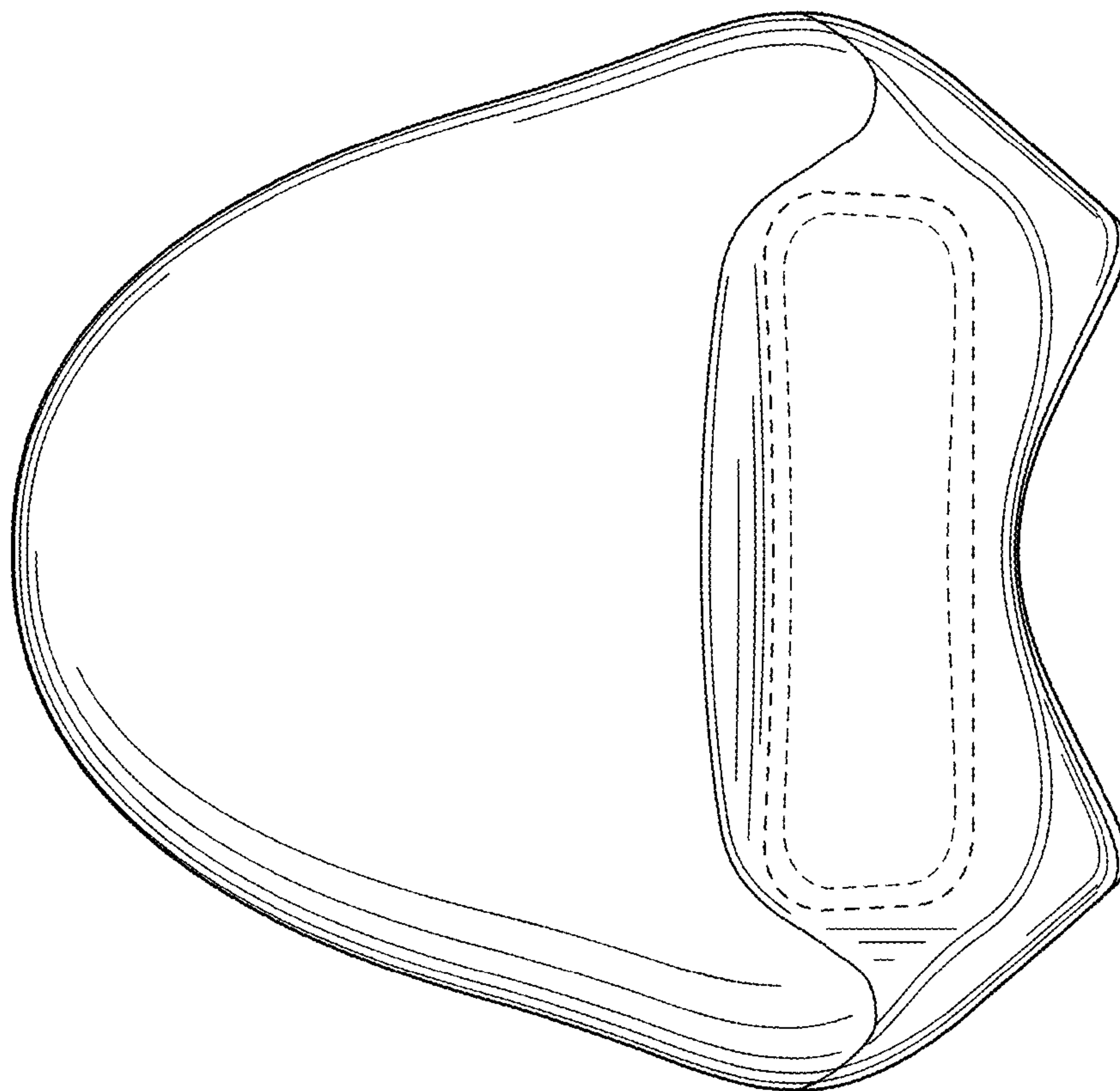


FIG. 8