



US00D746267S

(12) **United States Design Patent**
Birger

(10) **Patent No.:** **US D746,267 S**

(45) **Date of Patent:** **** *Dec. 29, 2015**

(54) **HEADSET**

(71) Applicant: **GN Netcom A/S, Ballerup (DK)**

(72) Inventor: **Johan Birger, Malmo (SE)**

(73) Assignee: **GN Netcom A/S (DK)**

(*) Notice: This patent is subject to a terminal disclaimer.

(**) Term: **14 Years**

(21) Appl. No.: **29/478,176**

(22) Filed: **Jan. 1, 2014**

(30) **Foreign Application Priority Data**

Jul. 3, 2013 (EM) 002267567-0001

(51) **LOC (10) Cl.** **14-01**

(52) **U.S. Cl.**
USPC **D14/223**

(58) **Field of Classification Search**
USPC D14/223, 205, 206; 181/129, 130, 135;
379/430, 431; 381/380, 381; 455/90.3,
455/575.1
CPC H04R 1/10
See application file for complete search history.

(56) **References Cited**

U.S. PATENT DOCUMENTS

D480,073	S	*	9/2003	Jensen et al.	D14/240
D518,816	S	*	4/2006	Naito et al.	D14/205
D520,497	S	*	5/2006	Yang	D14/223
D528,529	S	*	9/2006	Rose et al.	D14/138 R
D528,531	S	*	9/2006	Rose et al.	D14/138 R
D536,692	S	*	2/2007	Alwicker et al.	D14/188
D538,792	S	*	3/2007	Kim et al.	D14/223
D539,782	S	*	4/2007	Lee	D14/188
D553,613	S	*	10/2007	Sade et al.	D14/223
D555,151	S	*	11/2007	Eklund	D14/223

D562,310	S	*	2/2008	Moon et al.	D14/223
D564,500	S	*	3/2008	Wang	D14/223
7,346,180	B2	*	3/2008	Ham	381/381
D566,103	S	*	4/2008	Sade et al.	D14/223
D573,582	S	*	7/2008	Ma	D14/205
D574,366	S	*	8/2008	Sade et al.	D14/223
D582,897	S	*	12/2008	Christopher et al.	D14/223
D585,430	S	*	1/2009	Kim et al.	D14/223
D588,113	S	*	3/2009	Bradford	D14/223
D590,378	S	*	4/2009	Bradford	D14/223
D590,813	S	*	4/2009	Bradford et al.	D14/223
7,609,845	B2	*	10/2009	Chang	381/381
D603,378	S	*	11/2009	Paradise	D14/223
D604,722	S	*	11/2009	Mistry	D14/223
7,664,287	B2	*	2/2010	Neu et al.	381/381
7,778,410	B2	*	8/2010	Liu et al.	379/430
D636,381	S	*	4/2011	Liner	D14/223
7,925,037	B2	*	4/2011	Te Riet	381/381
D640,242	S	*	6/2011	Fahrendorff et al.	D14/223
D643,420	S	*	8/2011	Huang	D14/223
8,098,874	B2	*	1/2012	Lu	381/381
D656,490	S	*	3/2012	Birger	D14/223
8,139,808	B2	*	3/2012	Liu et al.	381/381
D657,781	S	*	4/2012	Yang	D14/223
D664,950	S	*	8/2012	Rye et al.	D14/223

(Continued)

Primary Examiner — Paula Greene

(74) *Attorney, Agent, or Firm* — Altera Law Group, LLC

(57) **CLAIM**

The ornamental design for a headset, as shown and described.

DESCRIPTION

FIG. 1 is a perspective view thereof.

FIG. 2 is a top view thereof.

FIG. 3 is a bottom view thereof.

FIG. 4 is a side view thereof.

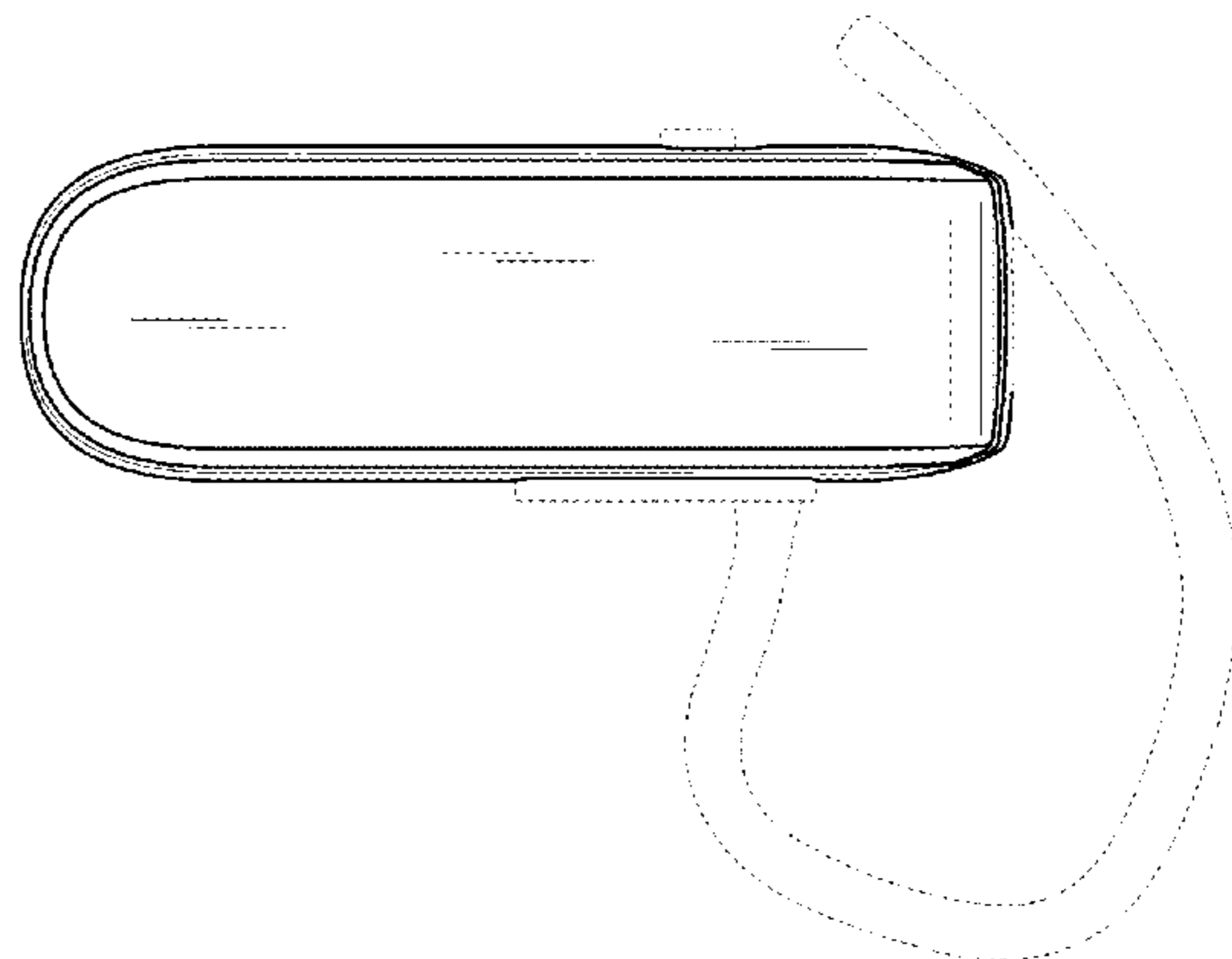
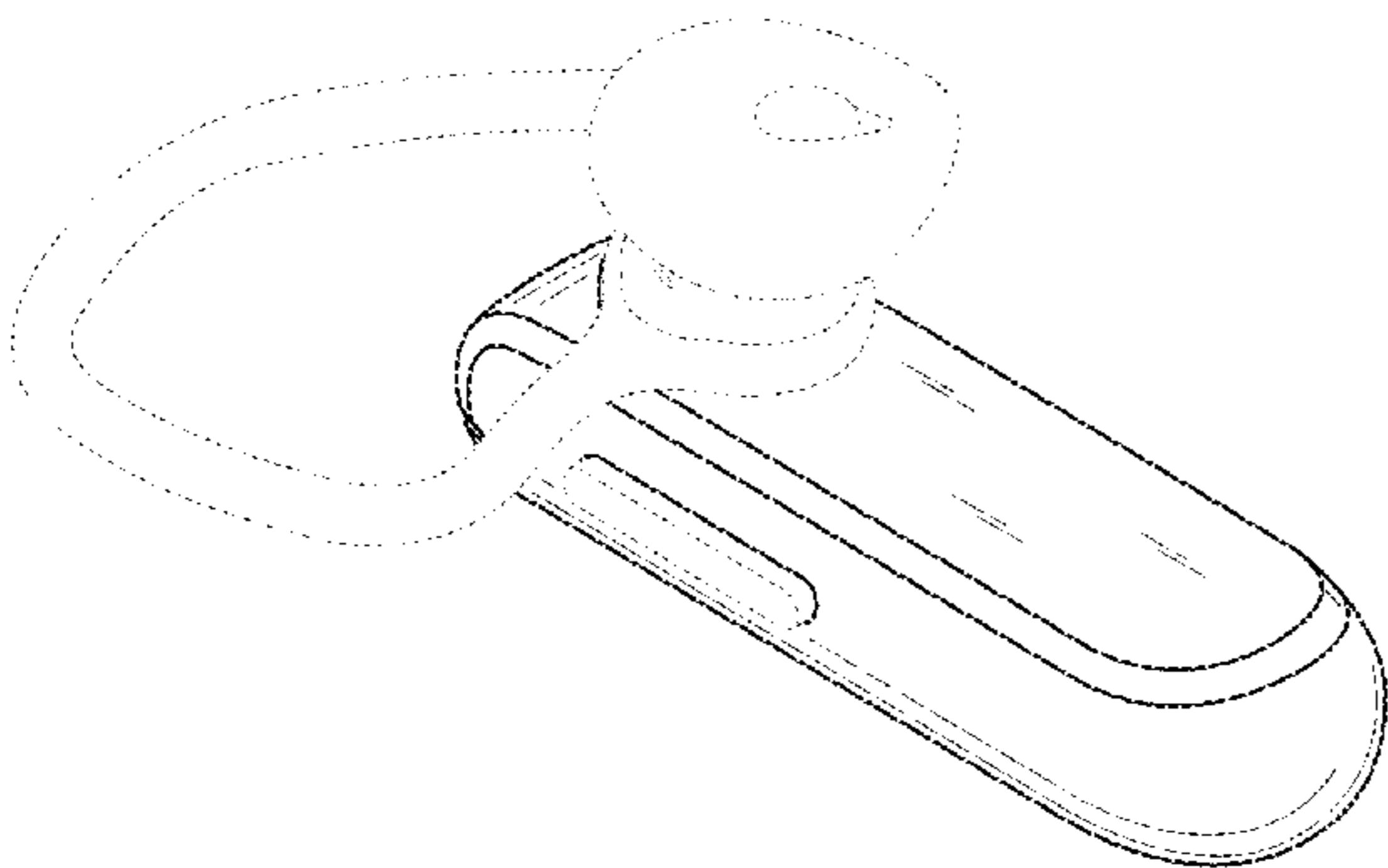
FIG. 5 is the other side view thereof.

FIG. 6 is a front view thereof; and,

FIG. 7 is a back view thereof.

The features shown in broken lines depict environmental subject matter only and form no part of the claimed design.

1 Claim, 5 Drawing Sheets



US D746,267 S

Page 2

(56)

References Cited

U.S. PATENT DOCUMENTS

D671,096 S * 11/2012 Song et al. D14/223
D675,600 S * 2/2013 Koch D14/223
D691,120 S * 10/2013 Koch D14/223

D693,796 S * 11/2013 Birger D14/223
D705,751 S * 5/2014 Wenger et al. D14/206
D707,659 S * 6/2014 Henning D14/223
D710,830 S * 8/2014 Birger D14/223

* cited by examiner

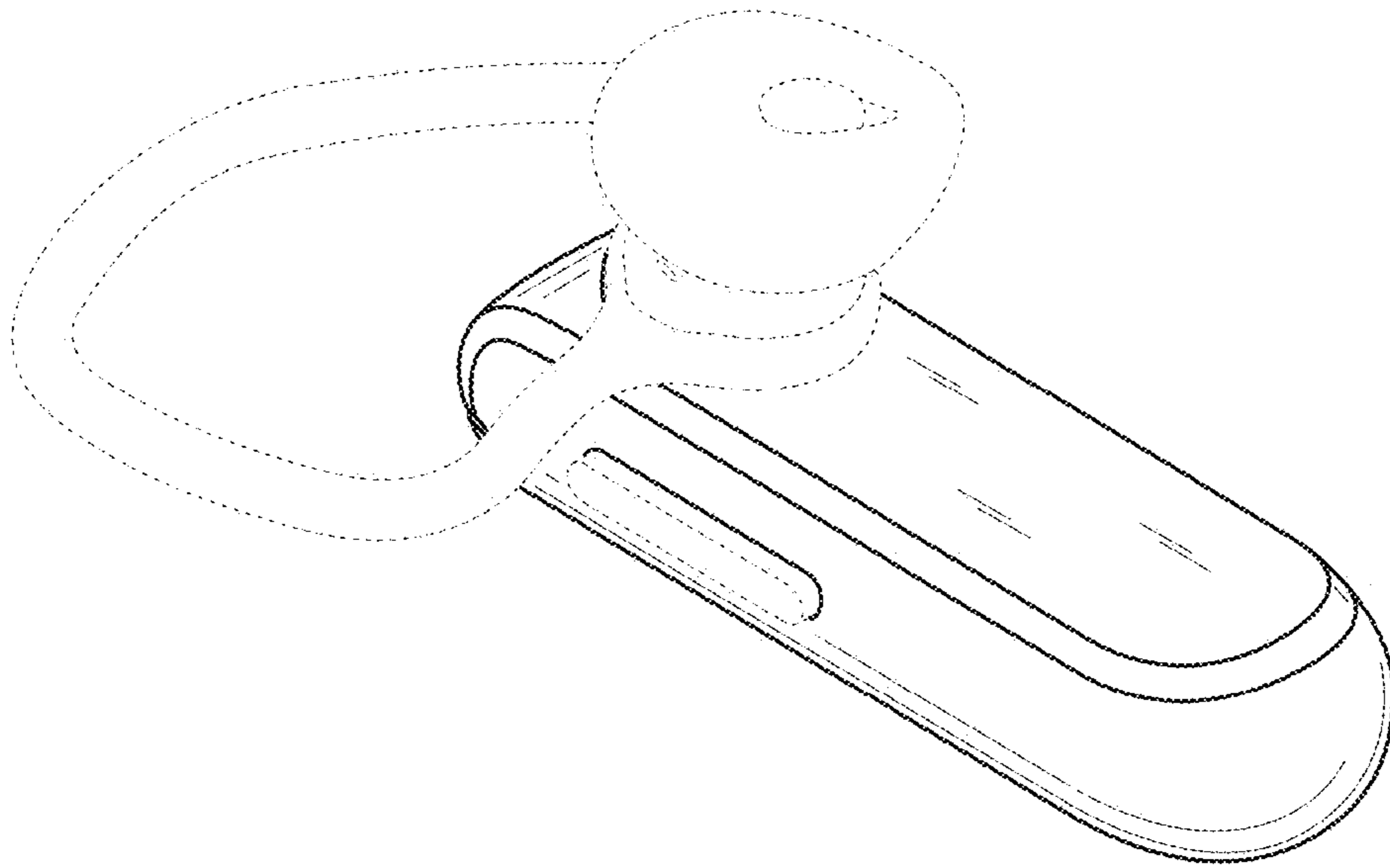


Fig. 1

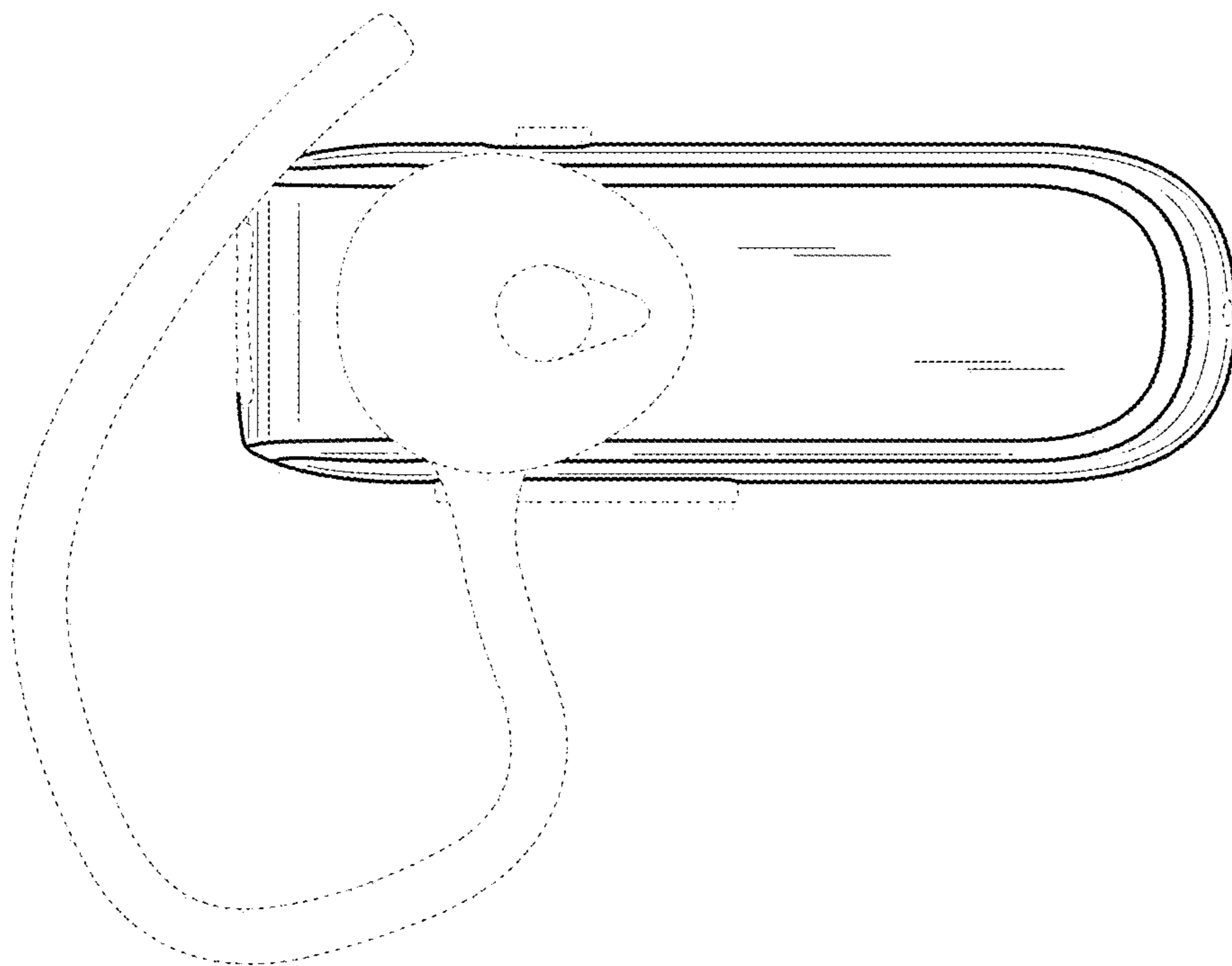


Fig. 2

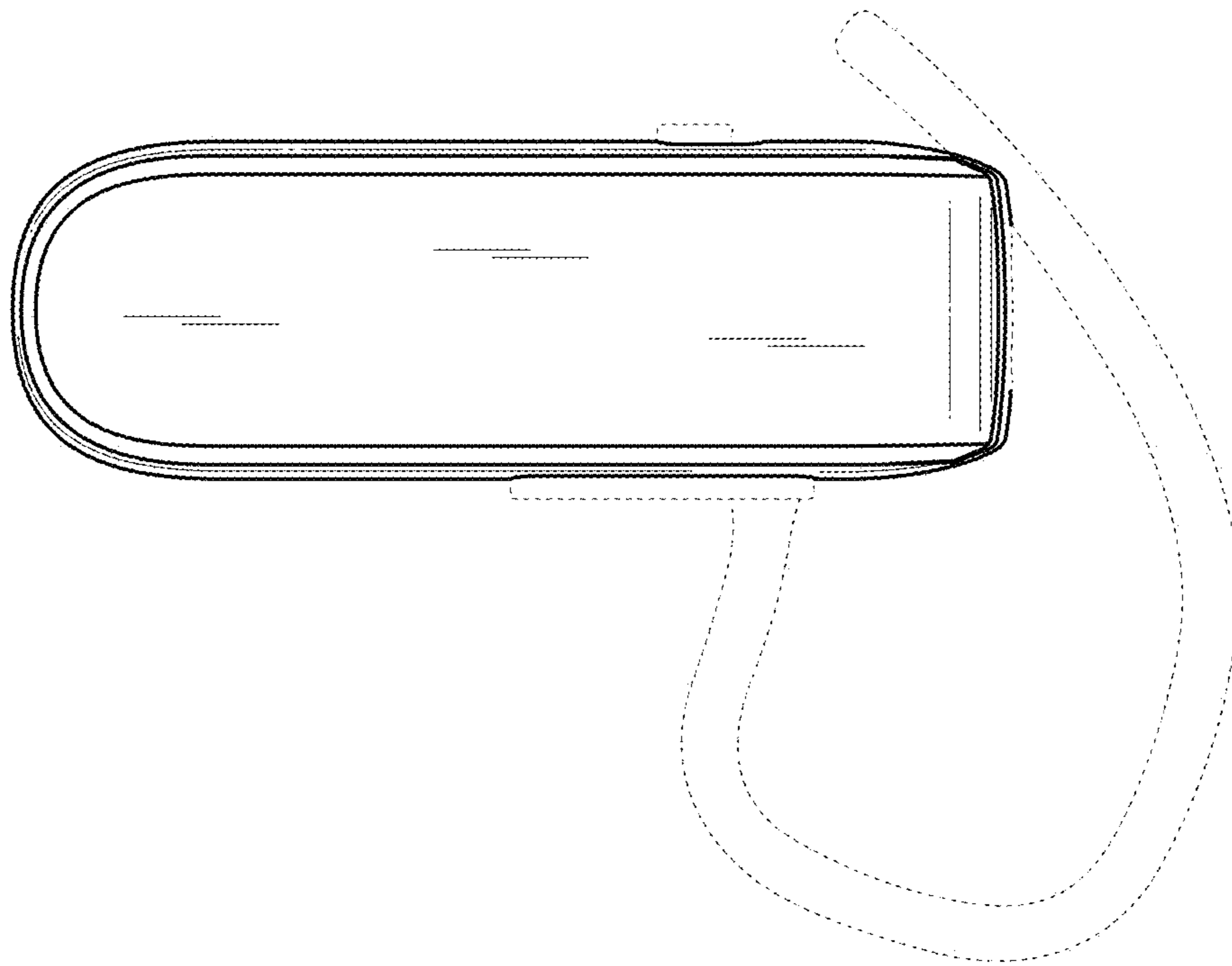


Fig. 3

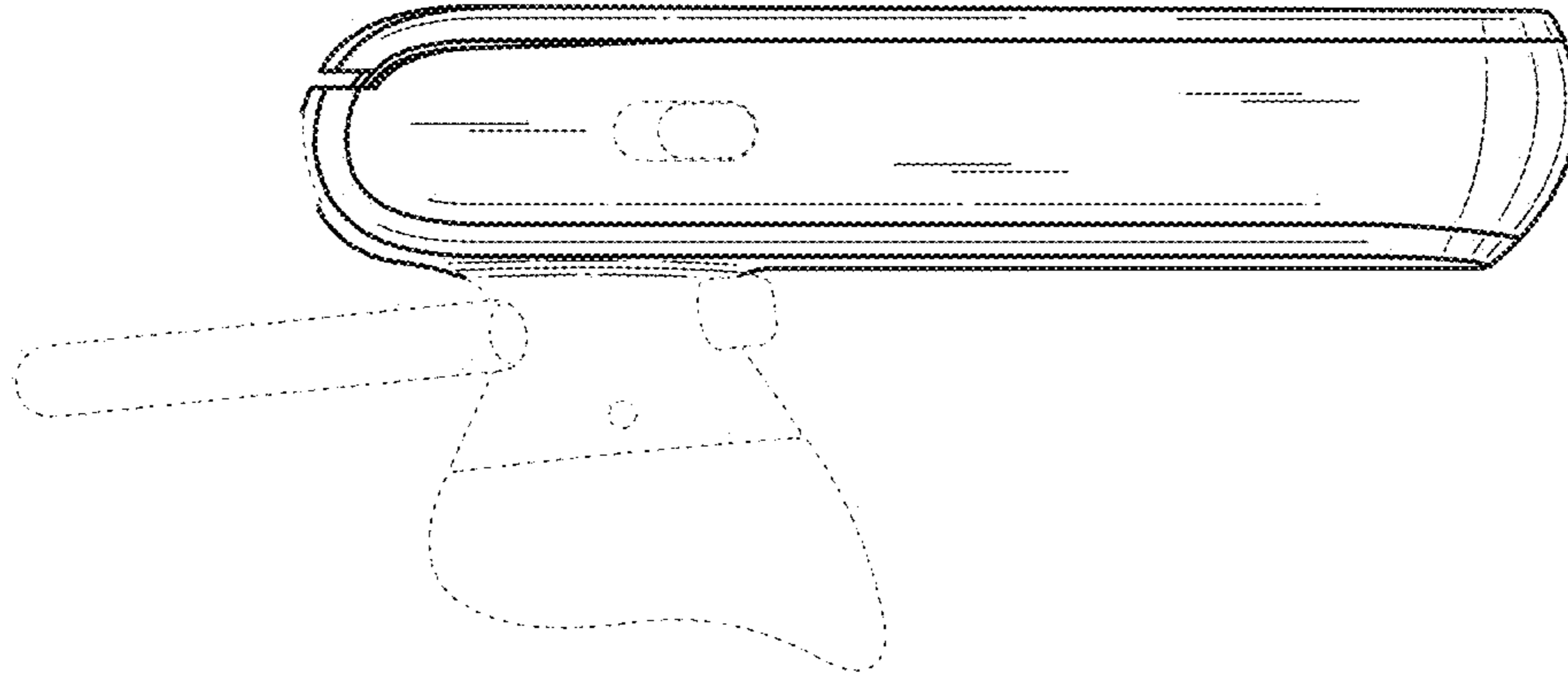


Fig. 4

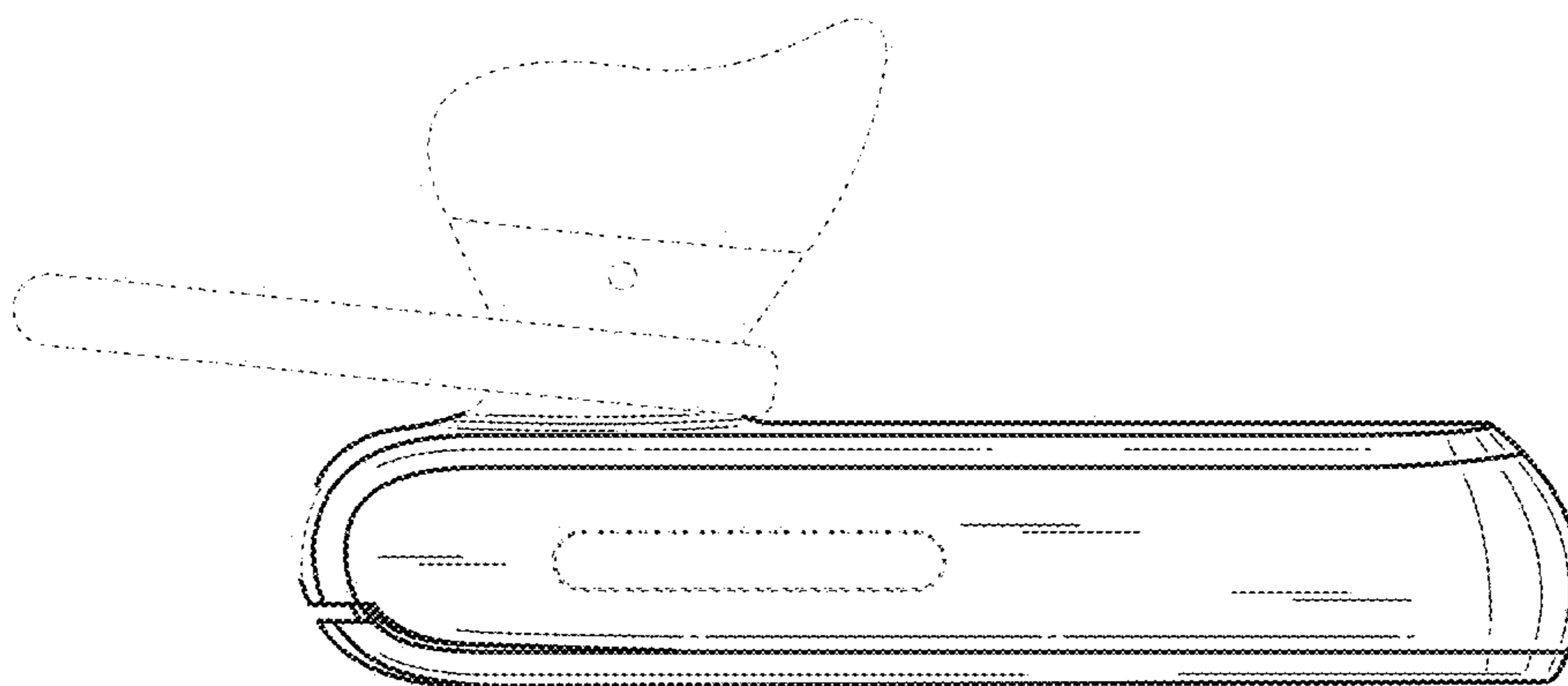


Fig. 5

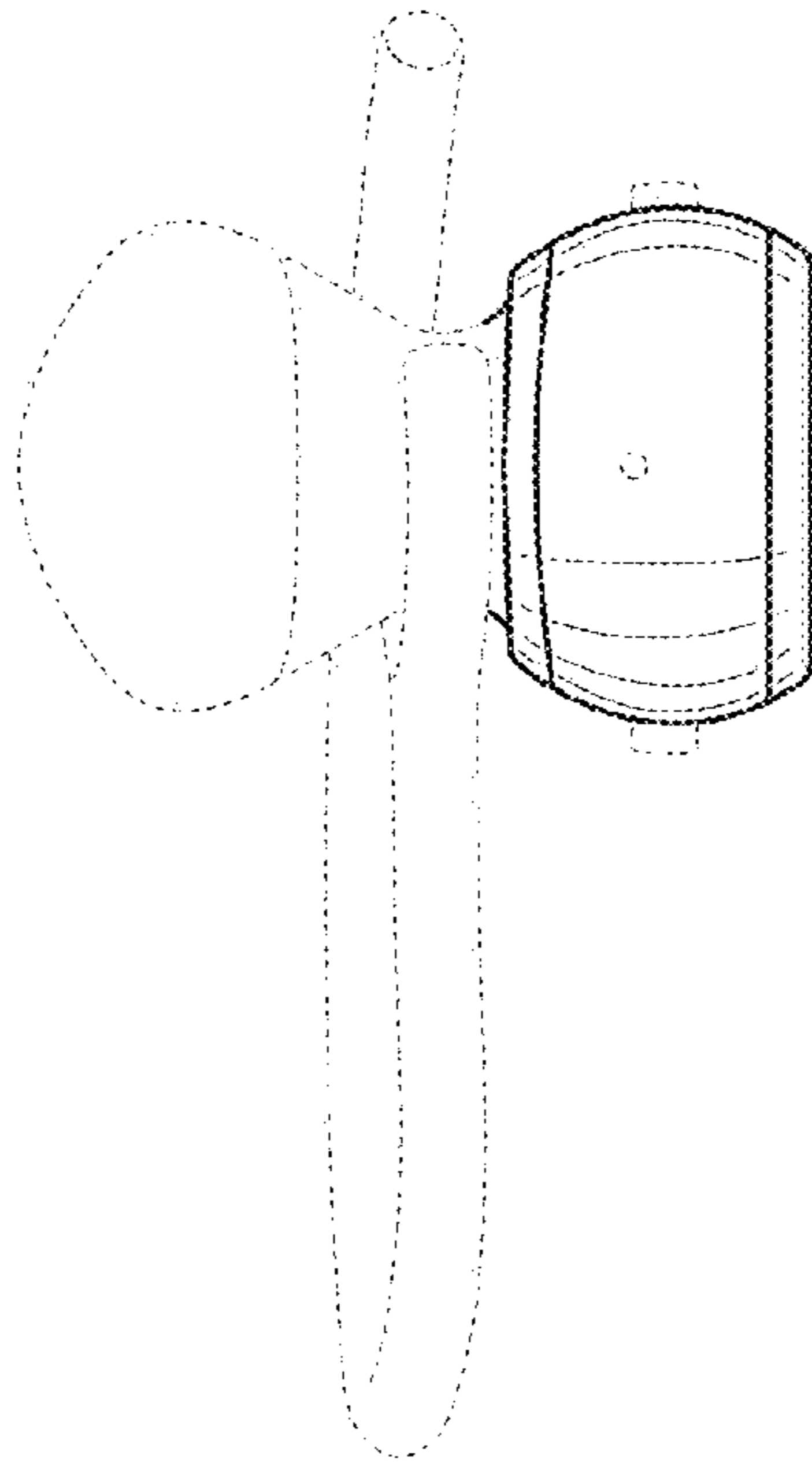


Fig. 6

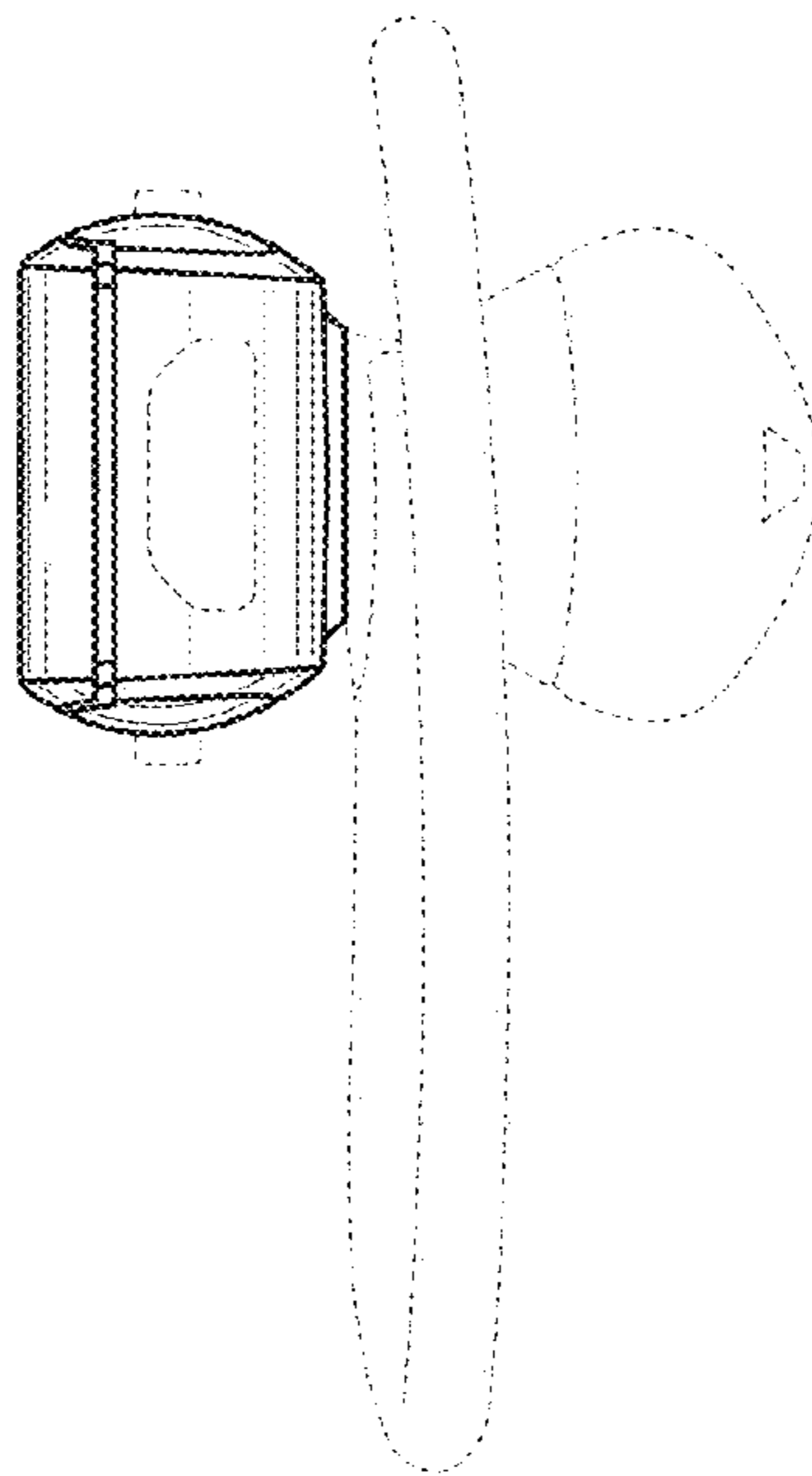


Fig. 7