



US00D746259S

(12) **United States Design Patent**
Lee et al.

(10) **Patent No.:** **US D746,259 S**
(45) **Date of Patent:** **** Dec. 29, 2015**

(54) **HEADSET**

(71) Applicant: **Samsung Electronics Co., Ltd.**,
Suwon-si (KR)
(72) Inventors: **Ki-Eon Lee**, Seoul (KR); **Jin-Man Chung**, Goyang-si (KR); **Alex Millie**, San Francisco, CA (US); **Howard Nuk**, San Francisco, CA (US); **Richard Overcash**, San Francisco, CA (US); **Seung-Min Park**, Seoul (KR); **Ha-Youl Jung**, Seoul (KR)

(73) Assignee: **SAMSUNG ELECTRONICS CO., LTD.** (KR)

(**) Term: **14 Years**

(21) Appl. No.: **29/500,131**

(22) Filed: **Aug. 21, 2014**

(30) **Foreign Application Priority Data**

Feb. 21, 2014 (KR) 30-2014-0008957

(51) **LOC (10) Cl.** **14-01**

(52) **U.S. Cl.**
USPC **D14/205; D14/223**

(58) **Field of Classification Search**
USPC D14/205, 206, 223, 192; D11/1, 3, 4, D11/27; D29/112; 2/209; D24/106; 128/864; D28/41; 132/273, 200; 24/616; 181/129, 130, 135; 379/430, 379/431, 420.04, 428.01; 381/380, 381, 381/183; 455/90.3, 575.1
CPC H04R 1/1066
See application file for complete search history.

(56) **References Cited**

U.S. PATENT DOCUMENTS

2,954,442 A * 9/1960 Mickenberg 2/410
4,110,583 A * 8/1978 Lepper 381/382

4,821,318 A * 4/1989 Wu 379/430
D337,587 S * 7/1993 Nakayama D14/205
5,669,398 A * 9/1997 Dadgostar 132/210
6,047,708 A * 4/2000 Panel et al. 132/273
6,233,345 B1 * 5/2001 Urwyler 381/381
D457,515 S * 5/2002 Masamitsu et al. D14/223
D458,245 S * 6/2002 Masuda D14/205
6,603,863 B1 * 8/2003 Nagayoshi 381/380
6,740,896 B2 * 5/2004 Nagamura 250/559.45
D497,565 S * 10/2004 Pink D11/4
6,922,476 B2 * 7/2005 Nassimi 381/380
D512,981 S * 12/2005 Jacobson et al. D14/205
D517,054 S * 3/2006 Yang D14/223
D538,271 S * 3/2007 Kim et al. D14/223
D555,151 S * 11/2007 Eklund D14/223

(Continued)

Primary Examiner — Paula Greene

(74) *Attorney, Agent, or Firm* — Cantor Colburn LLP

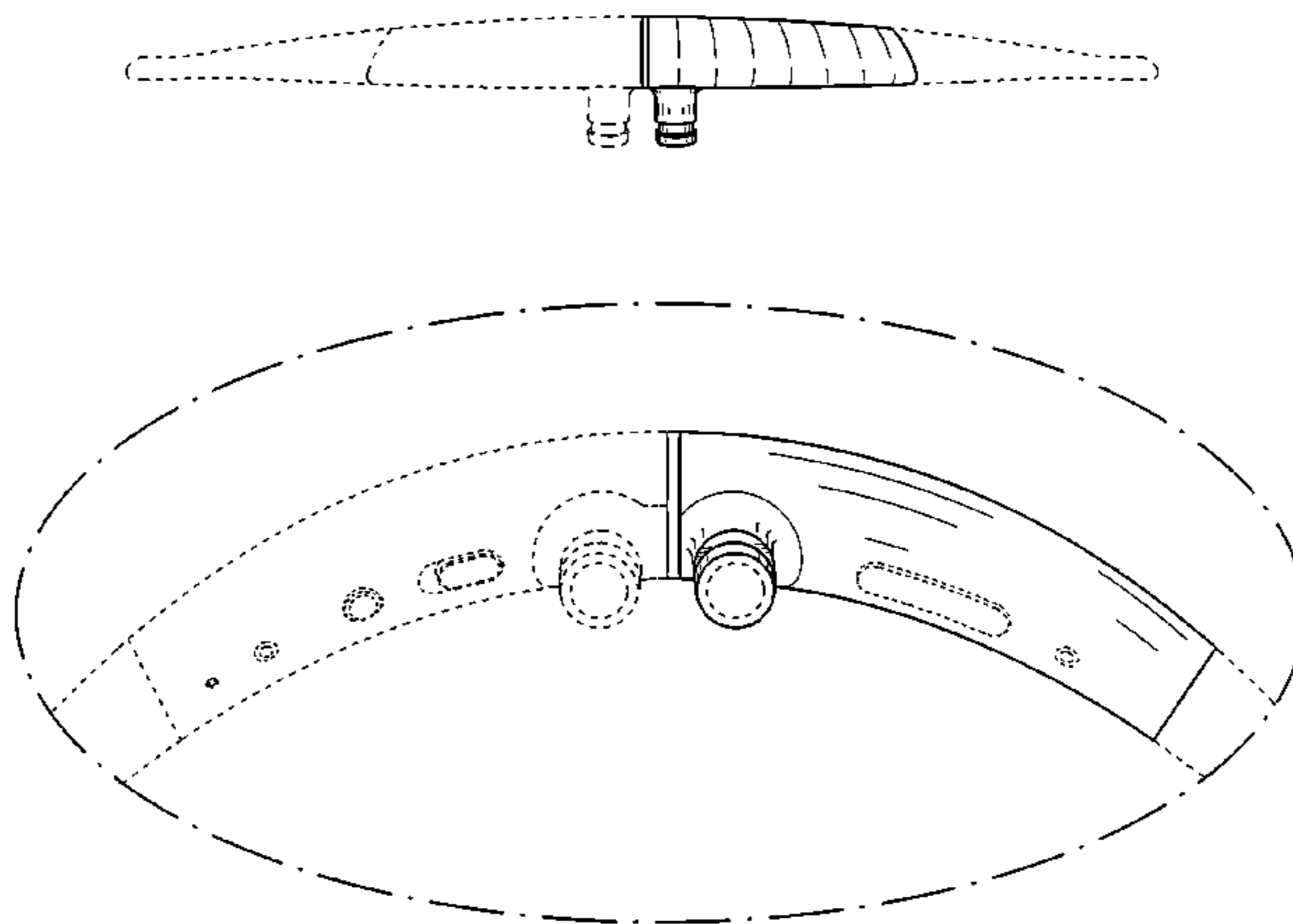
(57) **CLAIM**

The ornamental design for a headset, as shown and described.

DESCRIPTION

FIG. 1 is a perspective view of a headset, showing our new design;
FIG. 2 is a front view thereof;
FIG. 3 is a rear view thereof;
FIG. 4 is a side view thereof;
FIG. 5 is a another side view thereof;
FIG. 6 is a top view thereof;
FIG. 7 is a bottom view thereof;
FIG. 8 is an enlarged view of the encircled portion shown in FIG. 7;
FIG. 9 is a perspective view thereof as shown in another configuration; and,
FIG. 10 is an enlarged view of the encircled portion shown in FIG. 6.
The broken lines are for environmental purpose only and form no part of the claimed design.
The dot-dash broken lines encircling the portion of the claimed design that is illustrated in an enlargement form no part of the claimed design.

1 Claim, 10 Drawing Sheets



(56)

References Cited

U.S. PATENT DOCUMENTS

D557,685 S *	12/2007	Lee	D14/205	D663,714 S *	7/2012	Kang et al.	D14/205
D575,268 S *	8/2008	Christopher et al.	D14/205	D669,881 S *	10/2012	Clements et al.	D14/205
D579,923 S *	11/2008	Andre et al.	D14/223	8,433,082 B2 *	4/2013	Abolfathi	381/151
D586,778 S *	2/2009	Yang	D14/205	D683,715 S *	6/2013	Triato et al.	D14/204
D593,067 S *	5/2009	Millora et al.	D14/205	D685,350 S *	7/2013	Mogili	D14/223
D604,272 S *	11/2009	Kitayama	D14/223	D716,759 S *	11/2014	Ha et al.	D14/205
D653,234 S *	1/2012	Lee et al.	D14/205	D721,673 S *	1/2015	Park et al.	D14/205
					2011/0170702 A1 *	7/2011	Bays	381/74
					2013/0329903 A1 *	12/2013	Ting	381/74
					2014/0185837 A1 *	7/2014	Kunimoto et al.	381/151

* cited by examiner

FIG. 1

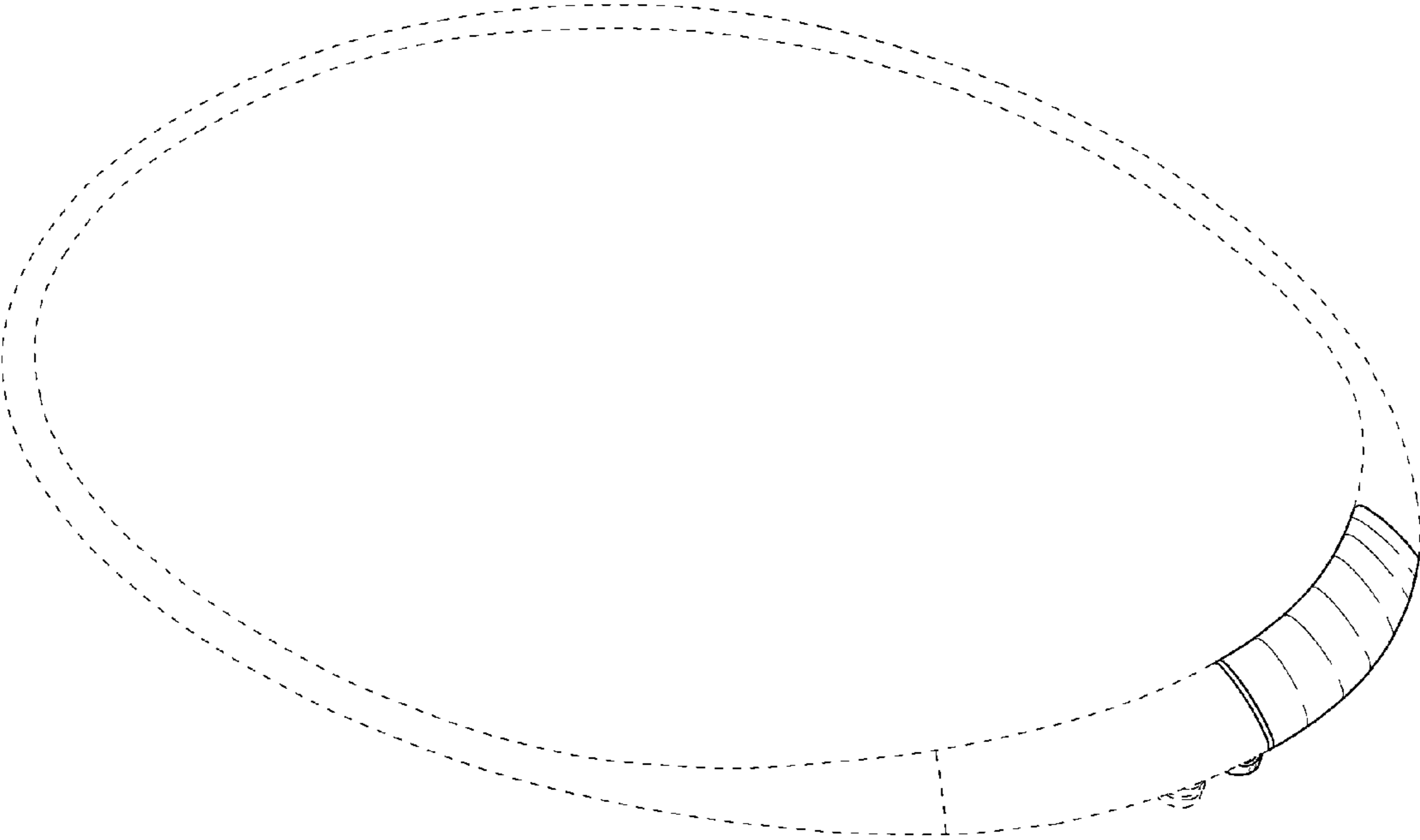


FIG. 2

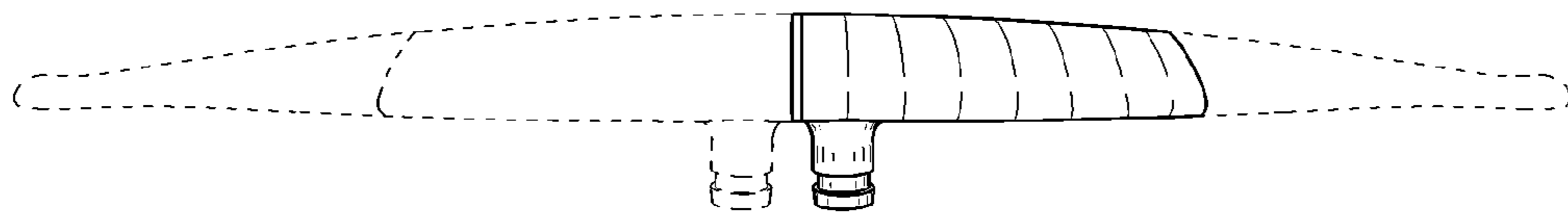


FIG. 3

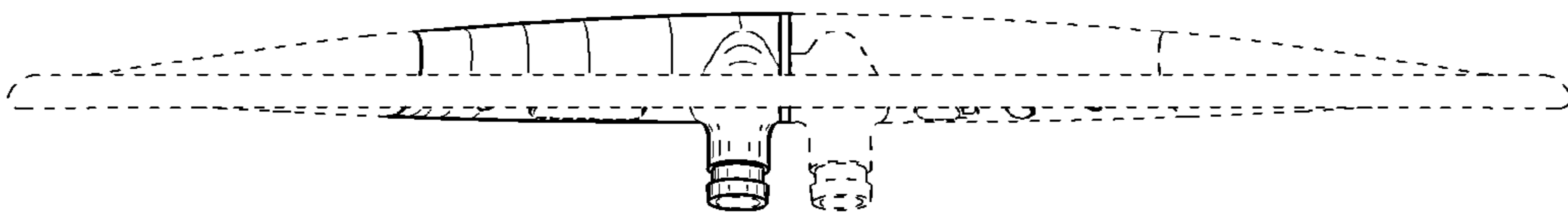


FIG. 4

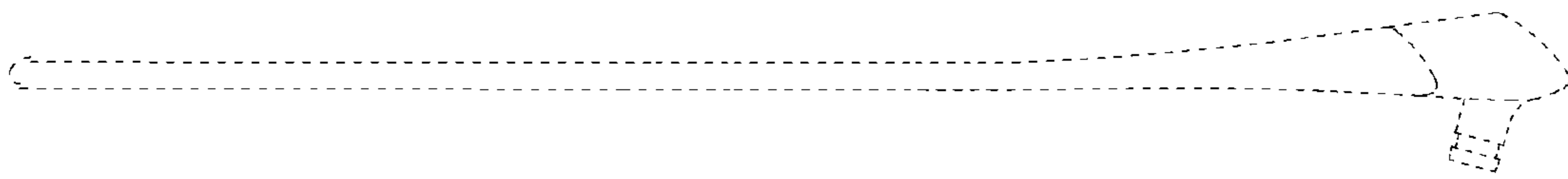


FIG. 5

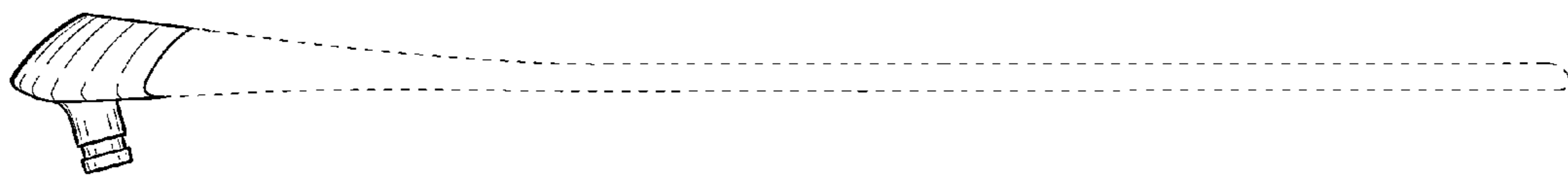


FIG. 6

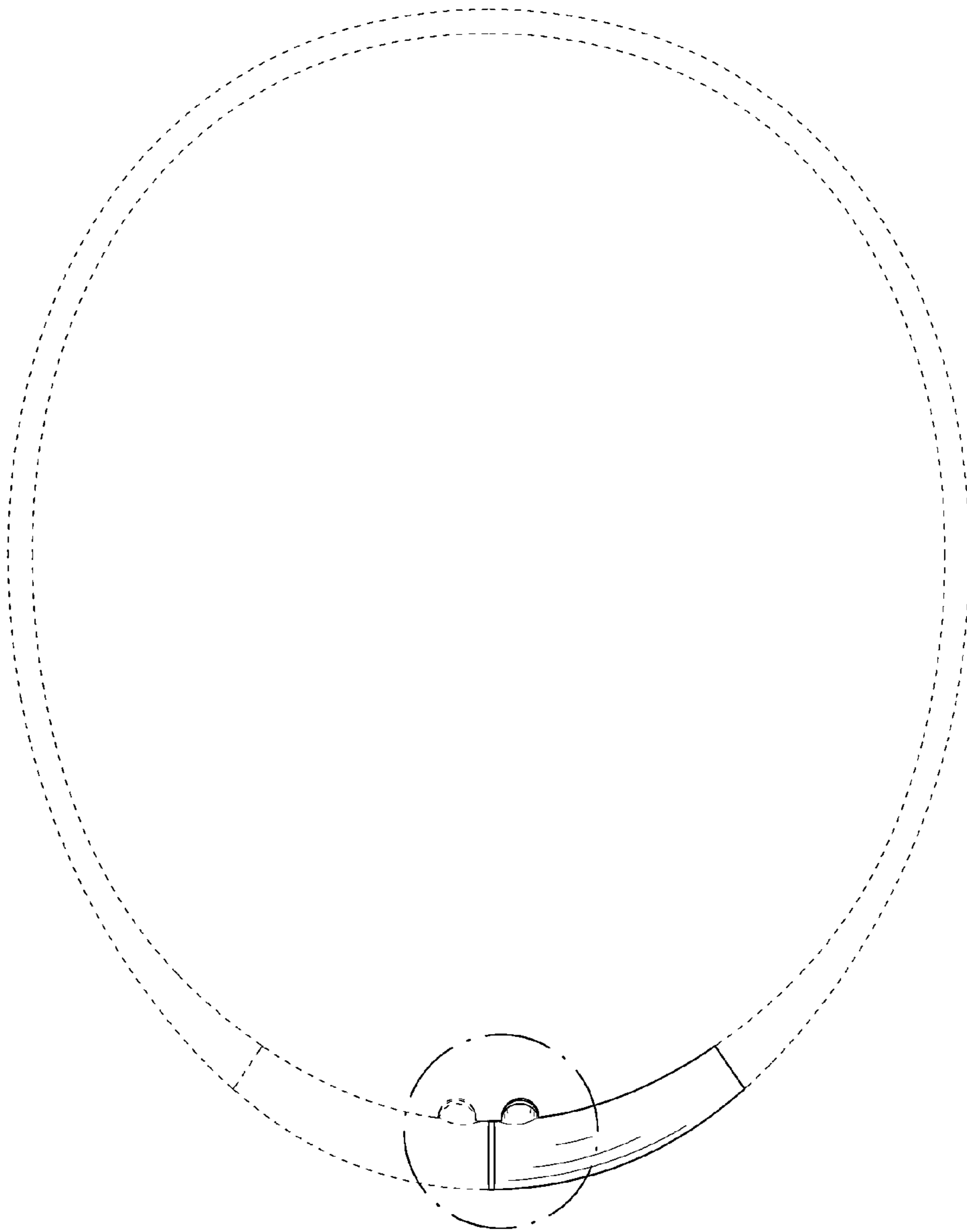


FIG. 7

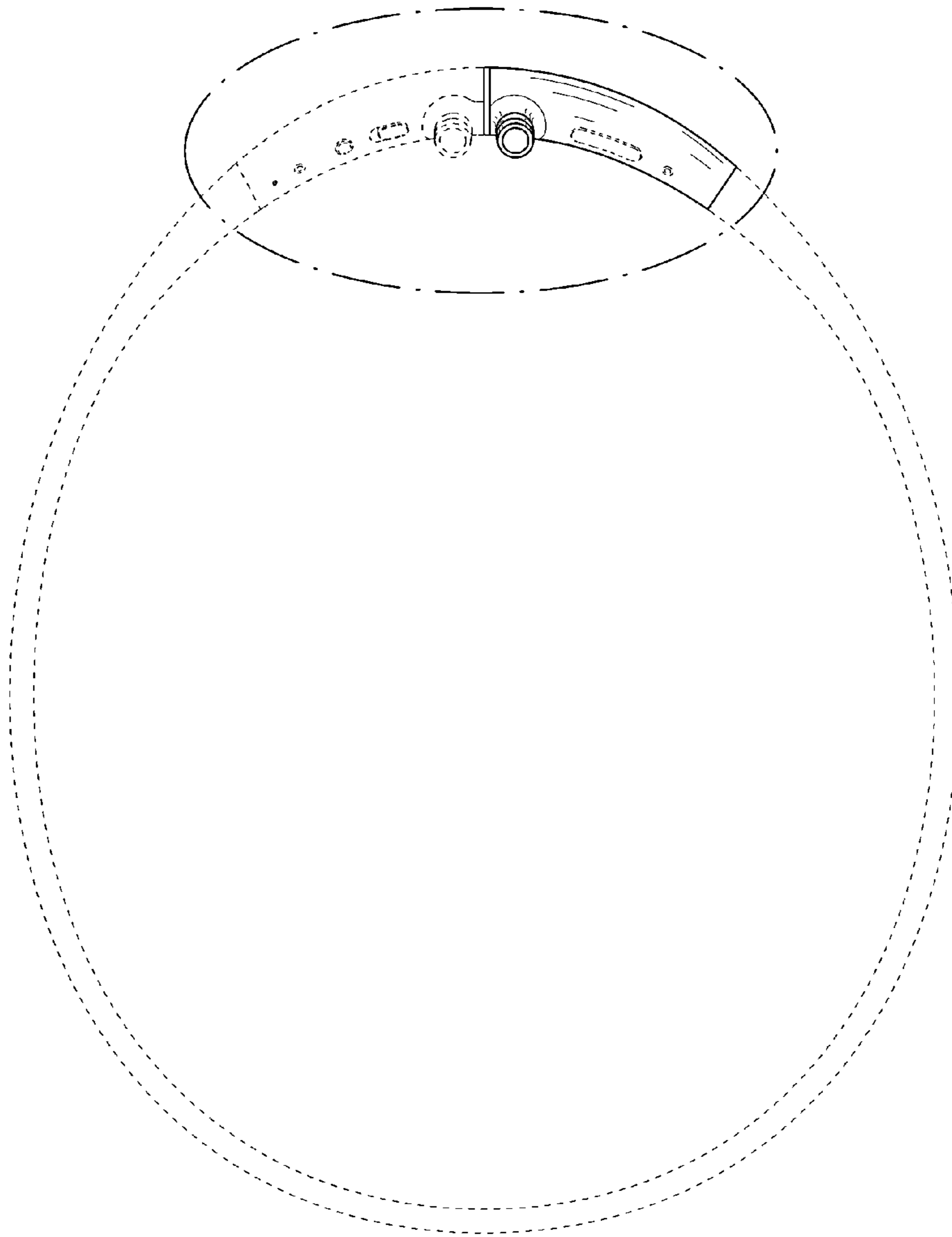


FIG. 8

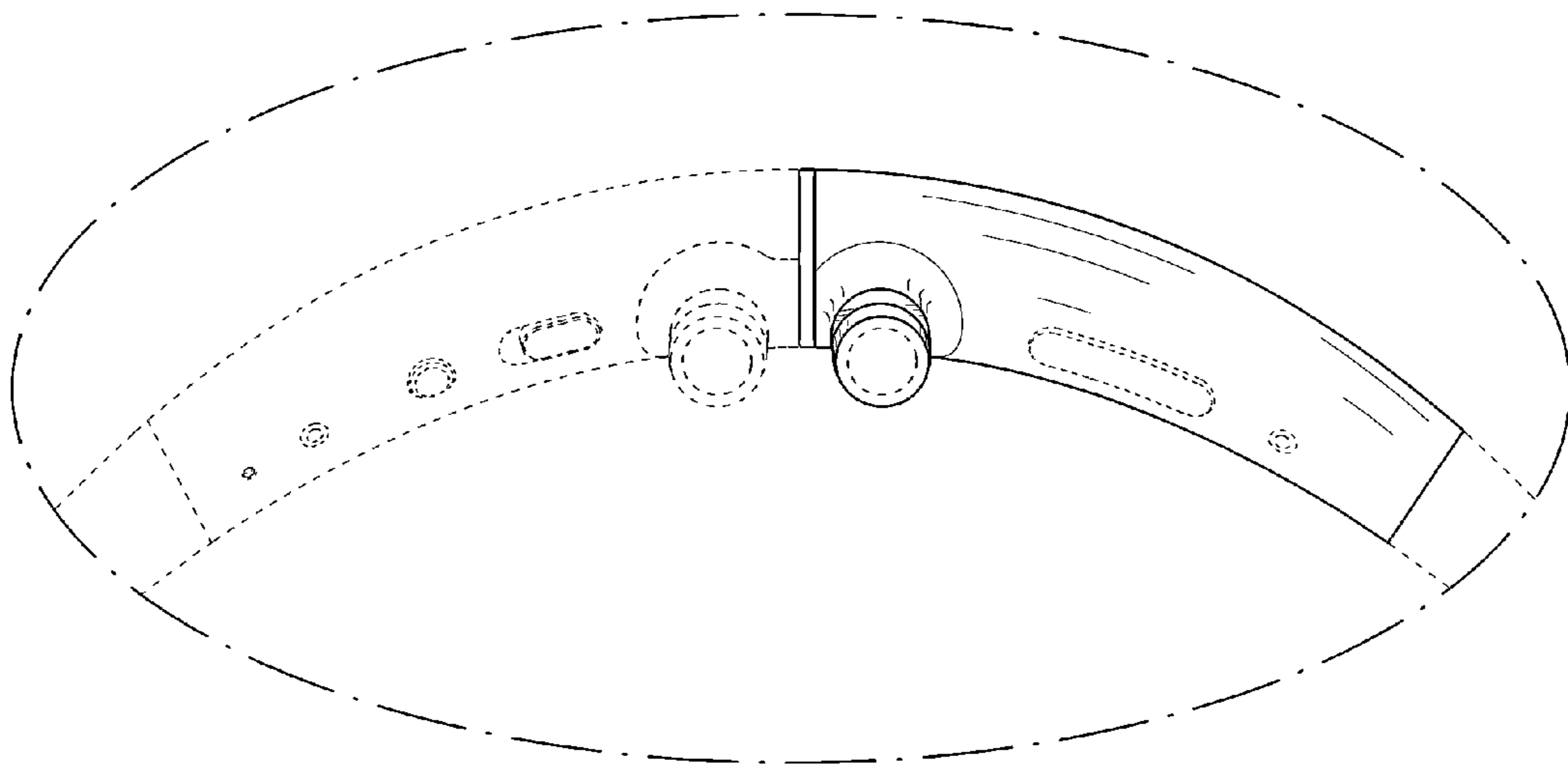


FIG. 9

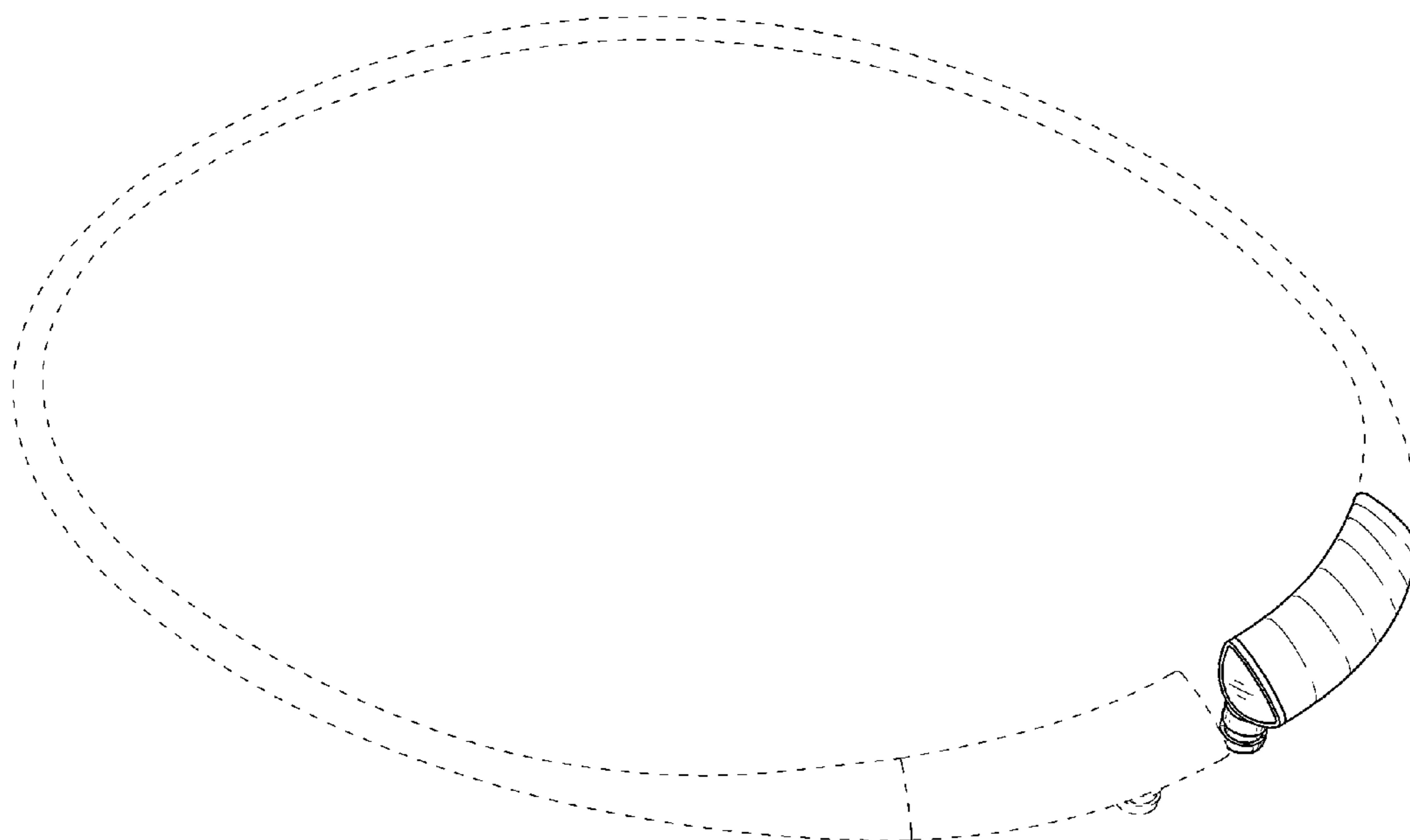


FIG. 10

