



US00D746258S

(12) **United States Design Patent**  
**Lehnert**

(10) **Patent No.:** **US D746,258 S**  
(45) **Date of Patent:** **\*\* Dec. 29, 2015**

(54) **SPEAKER PANEL FOR A PLAYBACK DEVICE**

- (71) Applicant: **Sonos, Inc.**, Santa Barbara, CA (US)
- (72) Inventor: **Hilmar Lehnert**, Framingham, MA (US)
- (73) Assignee: **Sonos, Inc.**, Santa Barbara, CA (US)
- (\*\*) Term: **14 Years**
- (21) Appl. No.: **29/510,703**
- (22) Filed: **Dec. 2, 2014**

**Related U.S. Application Data**

- (63) Continuation of application No. 29/428,747, filed on Aug. 2, 2012, now Pat. No. Des. 721,059.
- (51) **LOC (10) Cl.** ..... **14-03**
- (52) **U.S. Cl.**  
USPC ..... **D14/204**; D14/221
- (58) **Field of Classification Search**  
USPC ..... D14/167, 168, 170–172, 188, 194–196, D14/204, 207, 209.1, 210–217, 221, 222, D14/224, 432, 496; 181/143, 144, 147, 148, 181/150, 153, 157, 198, 199; 381/300–303, 381/306, 332, 333, 336, 345, 361–364, 381/386–388; 369/6–12  
CPC ..... H04M 1/03; H04M 1/035; H04R 1/02; H04R 1/06; H04R 1/021; H04R 1/025; H04R 1/026; H04R 1/105; H04R 1/323; H04R 1/345; H04R 1/403; H04R 1/2803; H04R 1/2834; H04R 5/02; H04R 7/20; H04R 9/06; H04R 9/025; H04R 2201/021; H04R 2400/07; H04R 2499/11; H04R 2499/13; H04R 2499/15; G06F 1/1688; H04N 5/642; H04N 21/4852; H04S 3/00; H04S 7/30; B60R 11/0217

See application file for complete search history.

(56) **References Cited**

U.S. PATENT DOCUMENTS

4,940,108 A	7/1990	Selby	
D470,126 S	2/2003	Ljungberg et al.	
D496,923 S	10/2004	Allen	
D503,933 S	4/2005	Lum	
D593,541 S	6/2009	Muraoka et al.	
D606,977 S	12/2009	Privett et al.	
D629,388 S	12/2010	Son et al.	
D647,506 S	10/2011	Chen	
D664,120 S	7/2012	Larson	
D694,242 S	11/2013	Cho	
D710,823 S	8/2014	Woo et al.	
D721,059 S *	1/2015	Lehnert	..... D14/215

OTHER PUBLICATIONS

United States Patent and Trademark Office, “Notice of Allowance”, issued in connection with U.S. Appl. No. 29/428,747, mailed on Sep. 5, 2014, 44 pages.

\* cited by examiner

*Primary Examiner* — Keli L Hill

(74) *Attorney, Agent, or Firm* — KPPB LLP

(57) **CLAIM**

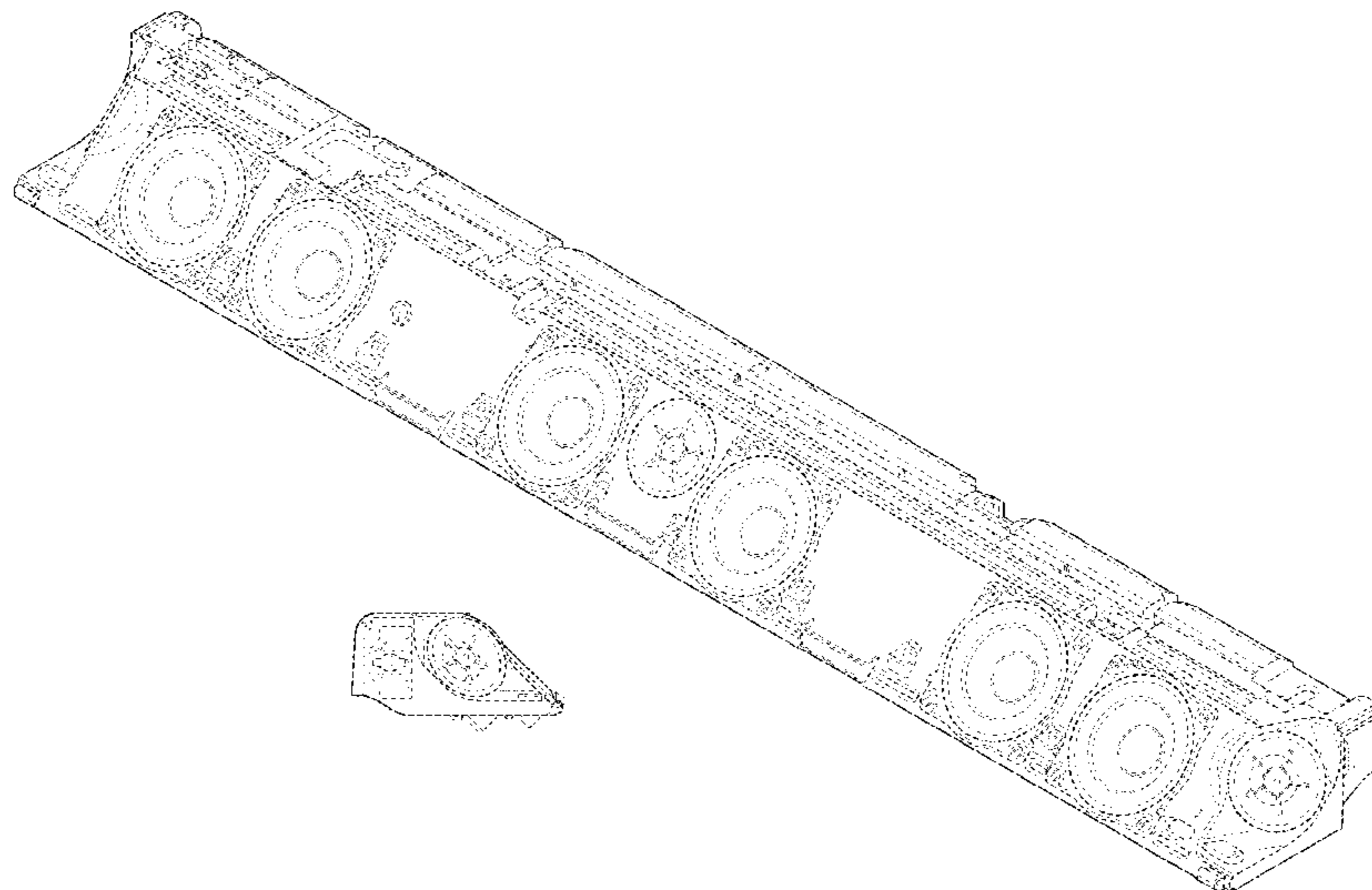
The ornamental design for a speaker panel for a playback device, as shown and described.

**DESCRIPTION**

FIG. 1 is an isometric view of a speaker panel for playback device, showing my new design;  
 FIG. 2 is a front elevation view thereof;  
 FIG. 3 is a rear elevation view thereof;  
 FIG. 4 is an end elevation view thereof;  
 FIG. 5 is an opposite end elevation view thereof;  
 FIG. 6 is a top plan view thereof; and,  
 FIG. 7 is a bottom plan view thereof.

The broken lines shown are included for the purpose of illustrating portions of the speaker panel for playback device that form no part of the claim.

**1 Claim, 3 Drawing Sheets**



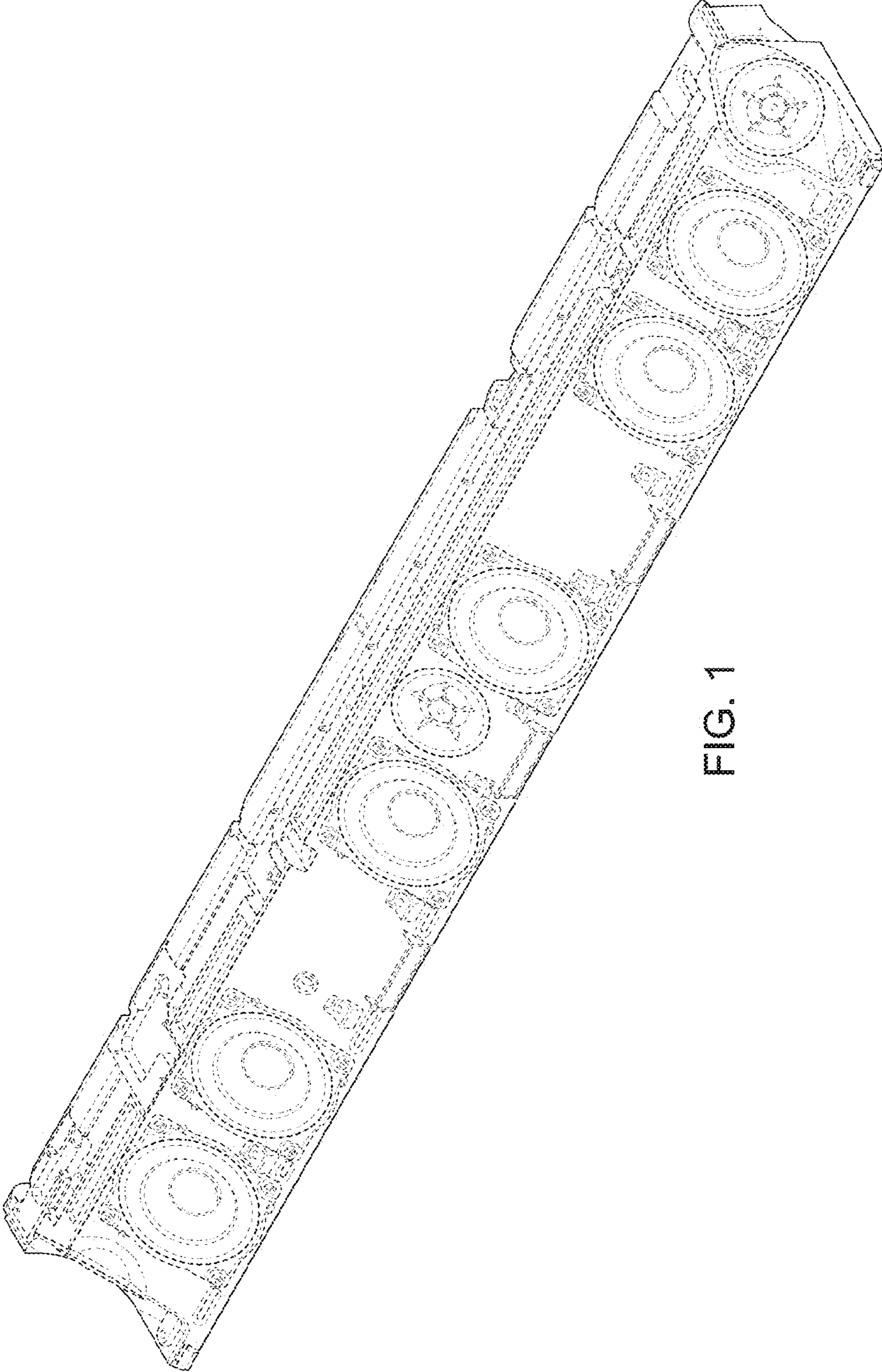


FIG. 1

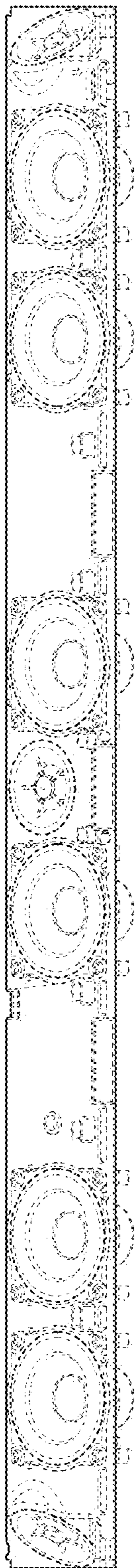


FIG. 2

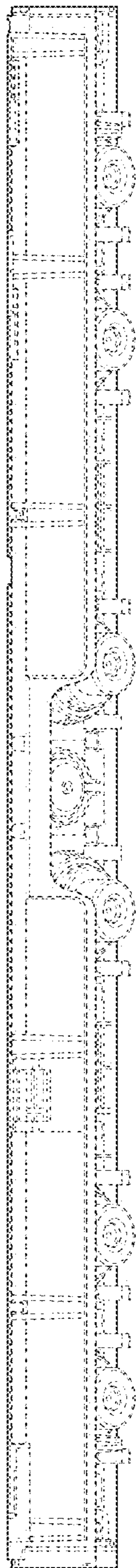


FIG. 3

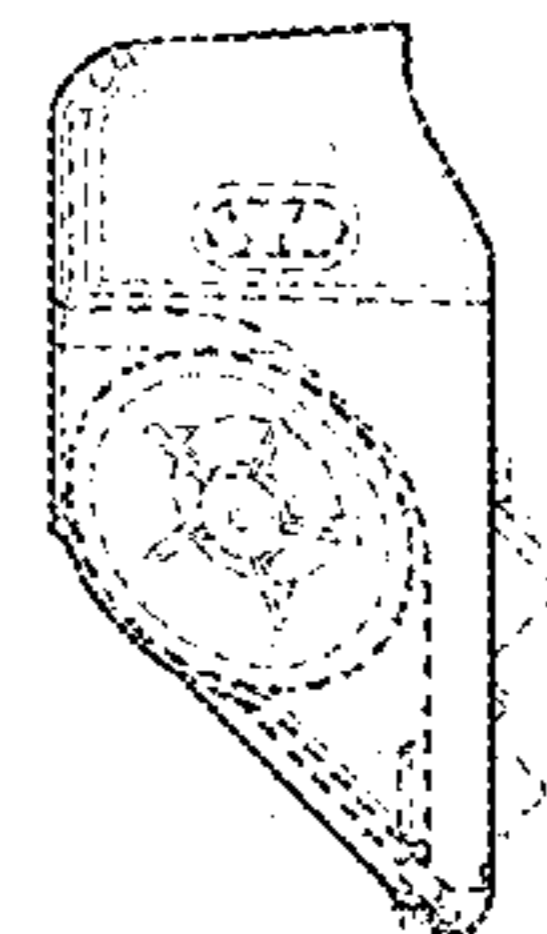


FIG. 5

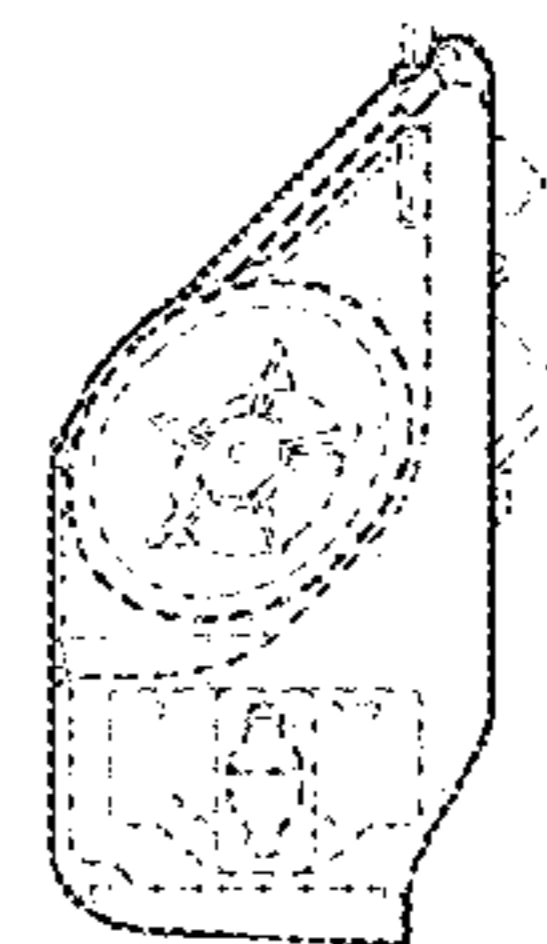


FIG. 4

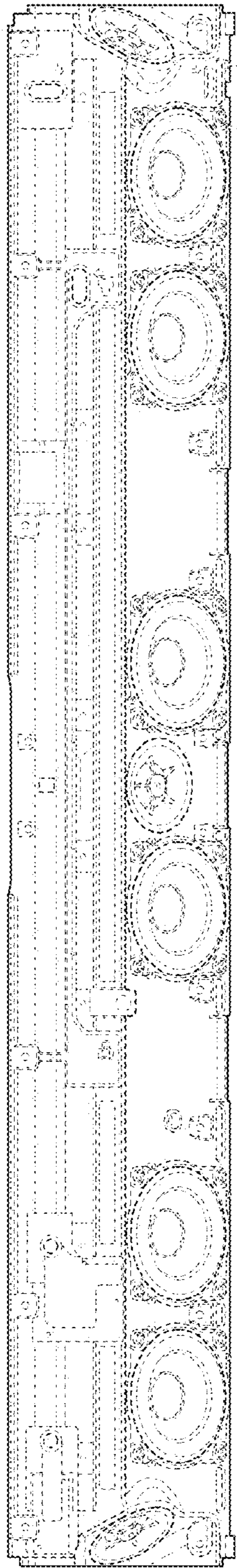


FIG. 6

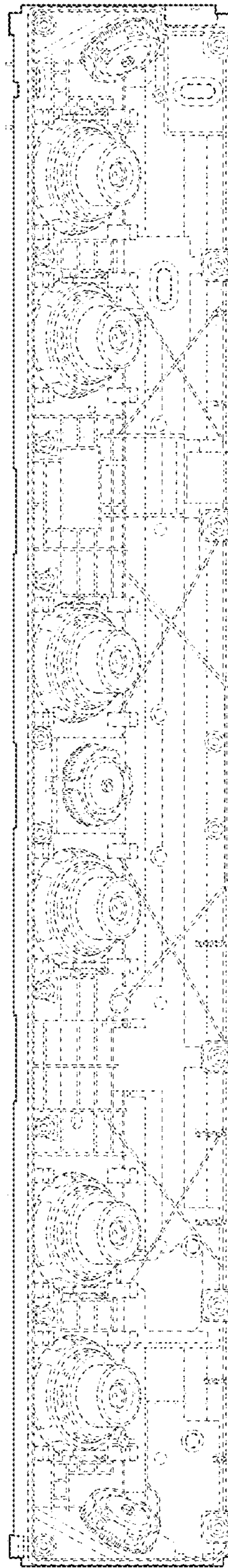


FIG. 7