



US00D746257S

(12) **United States Design Patent**  
**Ahn et al.**

(10) **Patent No.:** **US D746,257 S**  
(45) **Date of Patent:** **\*\* Dec. 29, 2015**

(54) **SPEAKER**

(71) Applicant: **Samsung Electronics Co., Ltd.**,  
Suwon-si (KR)  
(72) Inventors: **Dae Kyung Ahn**, Namyangjusi (KR);  
**Dae Joung Kim**, Seoul (KR); **Sang Min**  
**Hyun**, Seoul (KR)  
(73) Assignee: **Samsung Electronics Co., Ltd.**,  
Suwon-si (KR)

(\*\*) Term: **14 Years**  
(21) Appl. No.: **29/488,771**  
(22) Filed: **Apr. 23, 2014**

(30) **Foreign Application Priority Data**  
Oct. 29, 2013 (KR) ..... 30-2013-0054340  
(51) **LOC (10) Cl.** ..... **14-01**  
(52) **U.S. Cl.**  
USPC ..... **D14/204**  
(58) **Field of Classification Search**  
USPC ..... D14/172, 194, 204, 207, 209.1,  
D14/210-215, 221, 222; 181/148, 152, 153,  
181/157, 192, 198, 199; 381/300-303, 332,  
381/333, 336, 345, 361, 386-388  
CPC ..... H04M 1/03; H04M 1/035; H04R 1/02;  
H04R 1/06; H04R 1/021; H04R 1/025;  
H04R 1/026; H04R 1/105; H04R 1/323;  
H04R 1/345; H04R 1/403; H04R 1/2803;  
H04R 1/2834; H04R 3/12; H04R 5/02;  
H04R 2203/12

See application file for complete search history.

(56) **References Cited**

U.S. PATENT DOCUMENTS

D302,979 S *	8/1989	Sanders .....	D14/214
D306,024 S *	2/1990	Eberbach .....	D14/214
D466,885 S *	12/2002	MacFarlane et al. ....	D14/204
D491,552 S *	6/2004	Niitsu .....	D14/211
D597,527 S *	8/2009	Kim et al. ....	D14/211
D619,126 S *	7/2010	Lee .....	D14/230
D633,081 S *	2/2011	Medas .....	D14/214

\* cited by examiner

*Primary Examiner* — Derrick Holland  
*Assistant Examiner* — Janice Lim  
(74) *Attorney, Agent, or Firm* — NSIP Law

(57) **CLAIM**

The ornamental design for a speaker, as shown and described.

**DESCRIPTION**

FIG. 1 is a front perspective view of a speaker showing our new design;  
FIG. 2 is a front view thereof;  
FIG. 3 is a rear view thereof;  
FIG. 4 is a left-side view thereof;  
FIG. 5 is a right-side view thereof;  
FIG. 6 is a top view thereof; and,  
FIG. 7 is a bottom view thereof.  
The broken line portions of FIGS. 1-4 and 6 are included to show unclaimed subject matter only and form no part of the claimed design.  
The rectangular spacing between each shaded leg in FIGS. 2 and 3 shows open space.

**1 Claim, 7 Drawing Sheets**

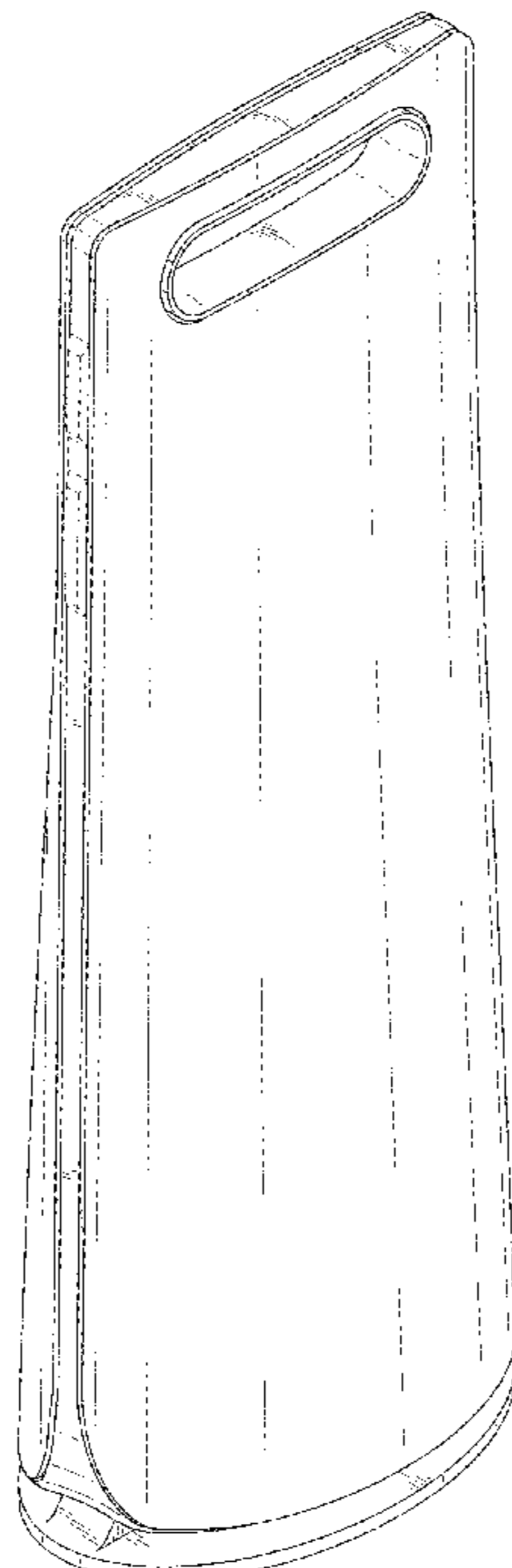


FIG. 1

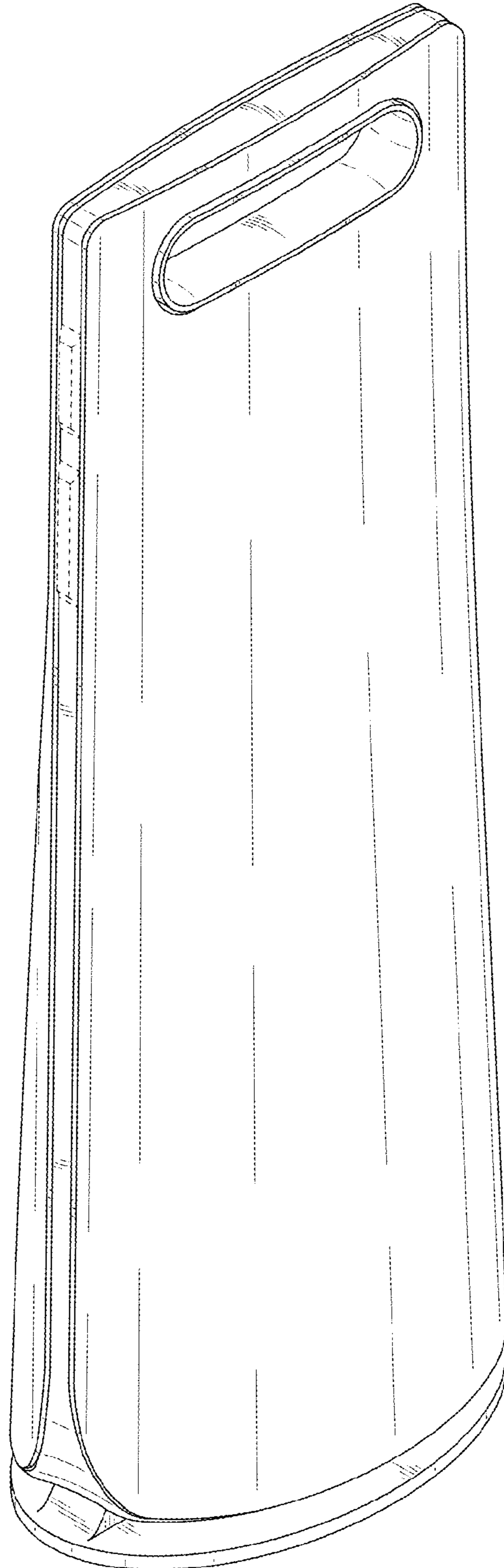


FIG. 2

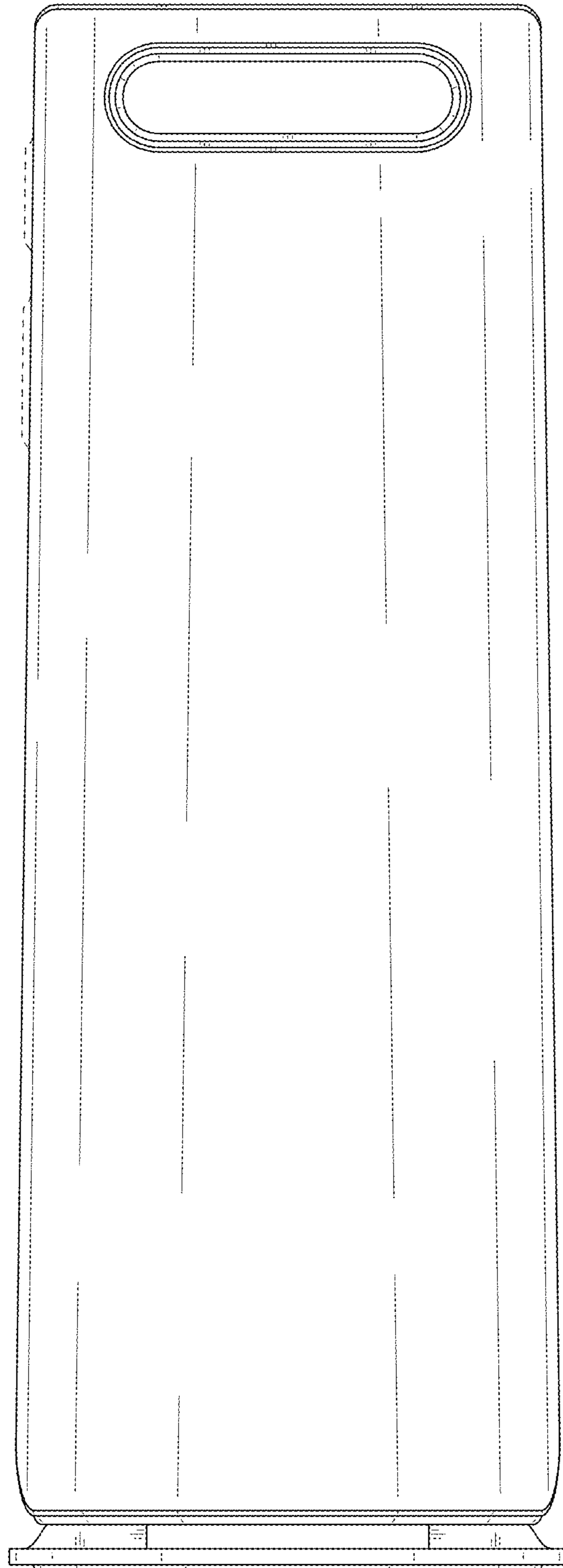


FIG. 3

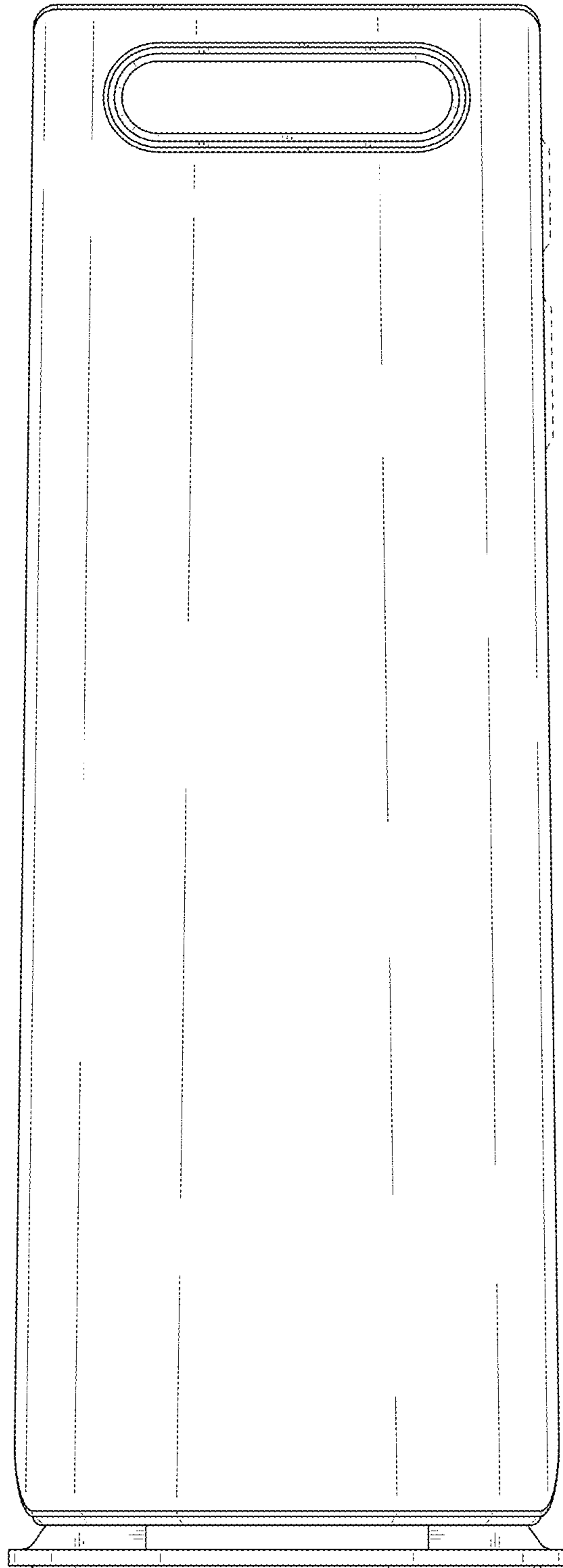


FIG. 4

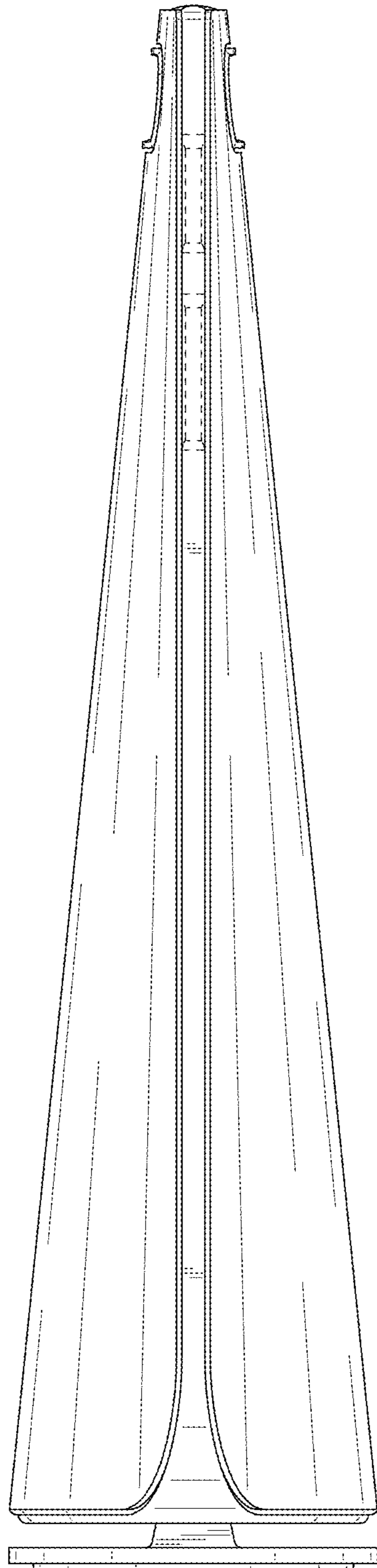


FIG. 5

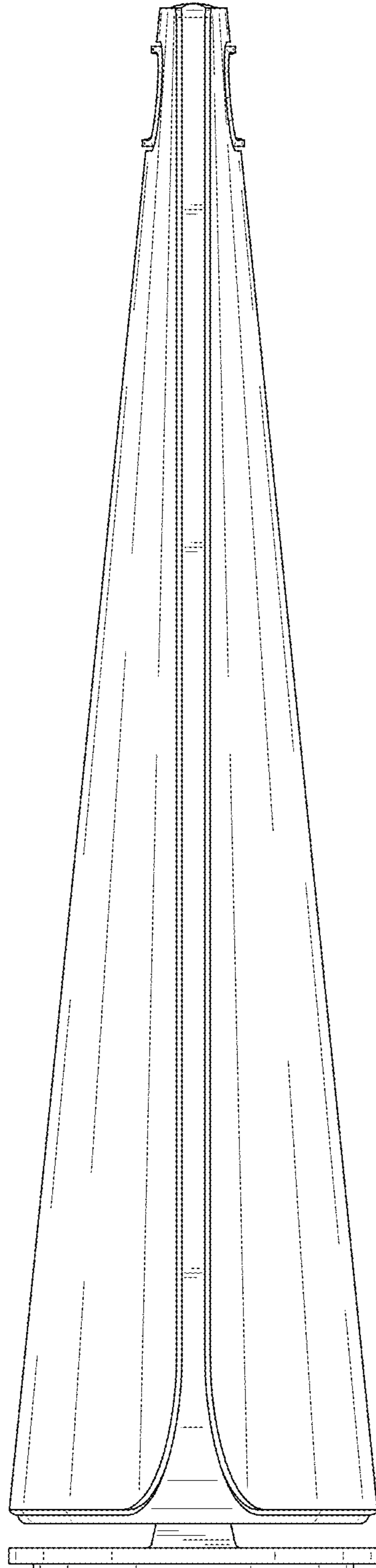


FIG. 6

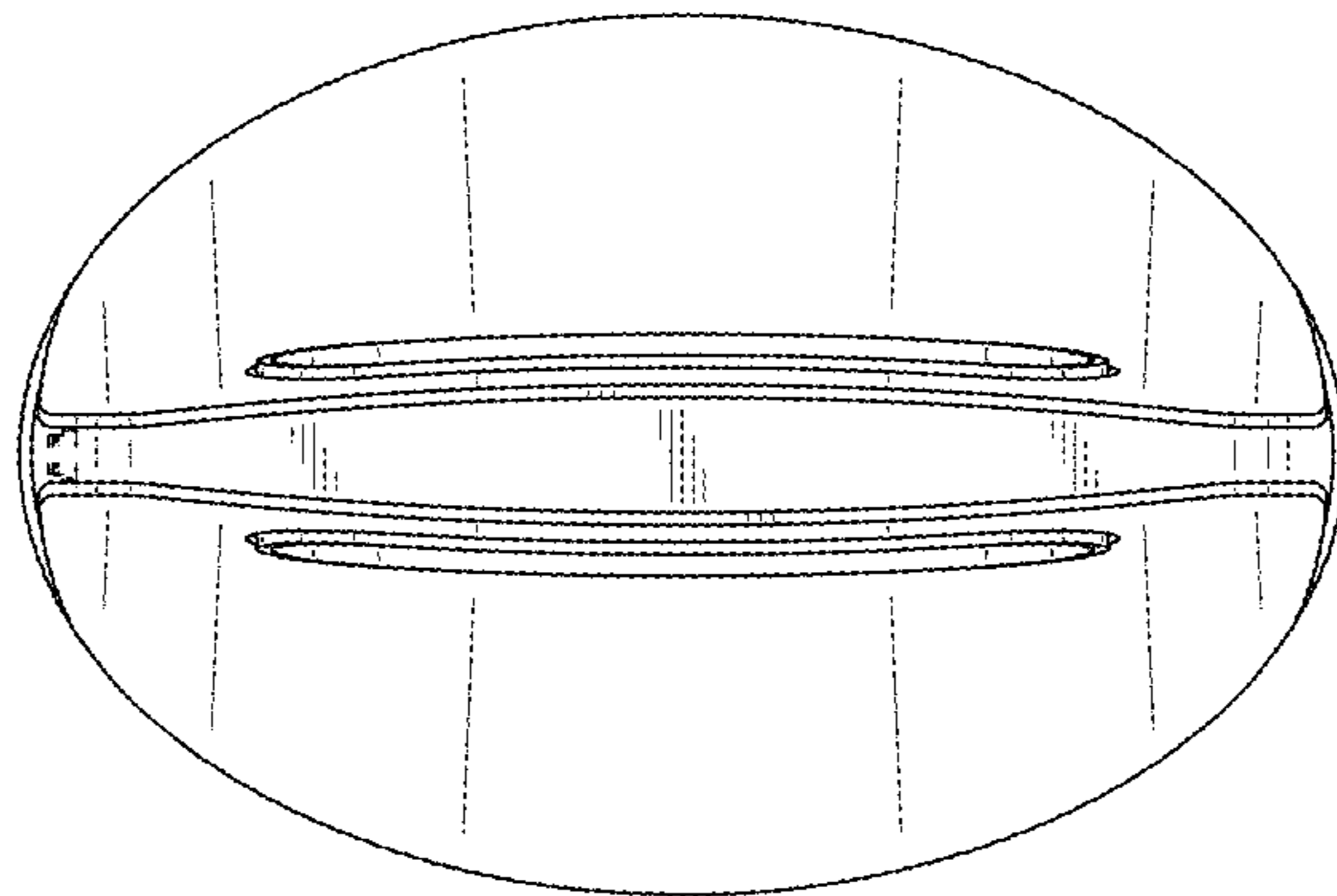


FIG. 7

