



US00D746256S

(12) **United States Design Patent**
Lee et al.

(10) **Patent No.:** **US D746,256 S**
(45) **Date of Patent:** **** Dec. 29, 2015**

(54) **SPEAKER**

(71) Applicant: **Samsung Electronics Co., Ltd.**,
Suwon-si (KR)
(72) Inventors: **Seungchan Lee**, Seoul (KR); **DaeJoung Kim**, Seoul (KR); **Dae Kyung Ahn**,
Namyangjusi (KR); **Sangsung Woo**,
Seoul (KR)
(73) Assignee: **Samsung Electronics Co., Ltd.**,
Suwon-si (KR)

(**) Term: **14 Years**
(21) Appl. No.: **29/479,818**
(22) Filed: **Jan. 21, 2014**

(30) **Foreign Application Priority Data**
Jul. 23, 2013 (KR) 30-2013-0038090
(51) **LOC (10) Cl.** **14-01**
(52) **U.S. Cl.**
USPC **D14/204**
(58) **Field of Classification Search**
USPC D14/172, 194, 204, 207, 209.1,
D14/210–215, 221, 222; 181/148, 152, 153,
181/157, 192, 198, 199; 381/300–303, 332,
381/333, 336, 345, 361, 386–388
CPC H04R 1/02; H04R 1/021; H04R 1/288;
H04R 1/403; H04R 3/12; H04R 5/02; H04R
2203/12
See application file for complete search history.

(56) **References Cited**

U.S. PATENT DOCUMENTS

D348,895	S	*	7/1994	Ito	D17/22
D398,605	S	*	9/1998	Murray et al.	D14/137
D475,037	S	*	5/2003	Leung	D14/204
D500,301	S	*	12/2004	Deguchi	D14/480.4
D552,586	S	*	10/2007	Kim	D14/138 AD
D577,707	S	*	9/2008	Lee et al.	D14/158
D622,244	S	*	8/2010	Miyazawa et al.	D14/138 G
D658,632	S	*	5/2012	Kroyer	D14/214
D660,284	S	*	5/2012	Carbone	D14/214

* cited by examiner

Primary Examiner — Derrick Holland
Assistant Examiner — Janice Lim
(74) *Attorney, Agent, or Firm* — NSIP Law

(57) **CLAIM**

The ornamental design for a speaker, as shown and described.

DESCRIPTION

FIG. 1 is a front perspective view of a speaker showing our new design;
FIG. 2 is a front view thereof;
FIG. 3 is a rear view thereof;
FIG. 4 is a left-side view thereof;
FIG. 5 is a right-side view thereof;
FIG. 6 is a top plan view thereof;
FIG. 7 is a bottom plan view thereof; and,
FIG. 8 is a front perspective view thereof, with the speaker in an opened condition.

1 Claim, 8 Drawing Sheets

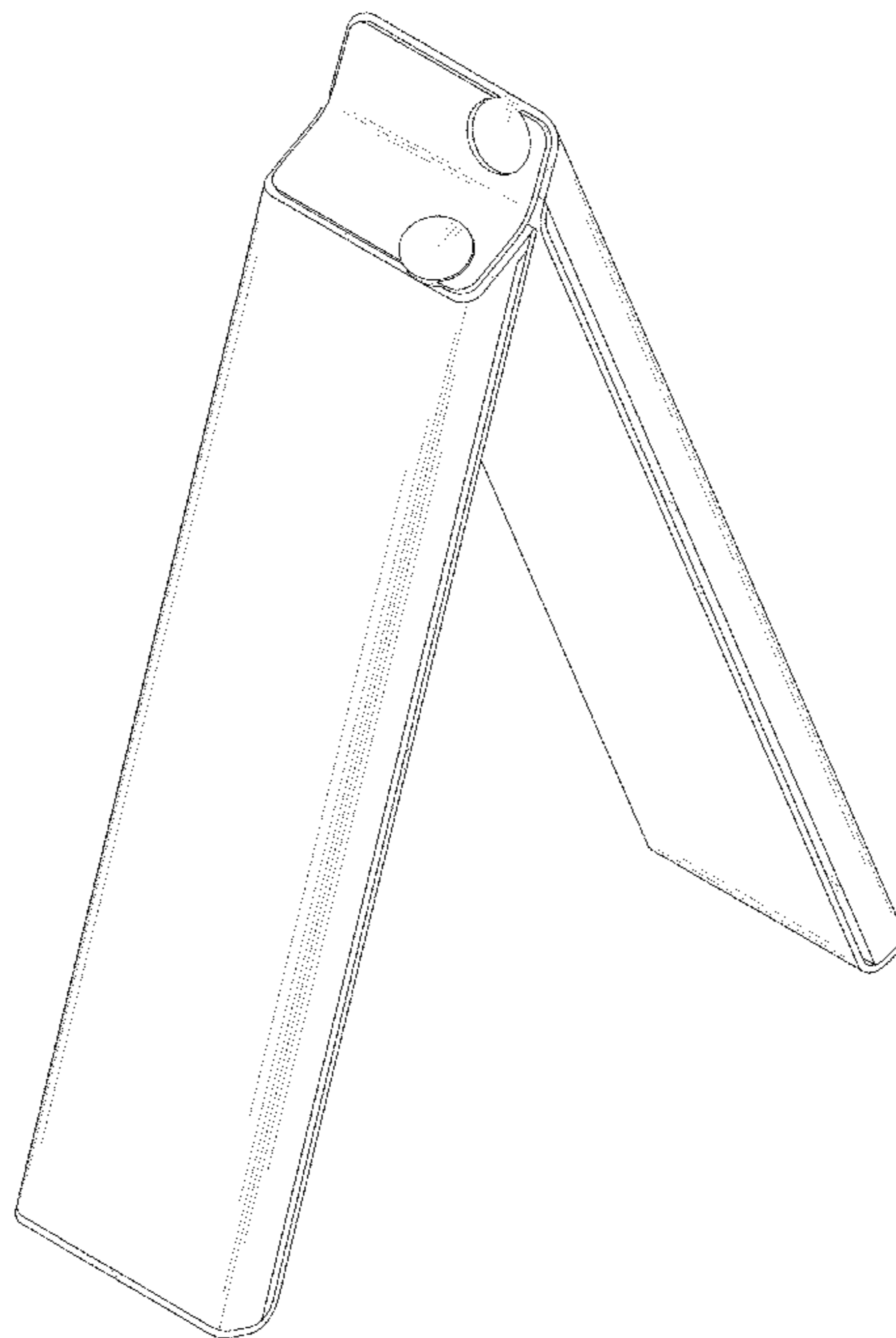


FIG. 1

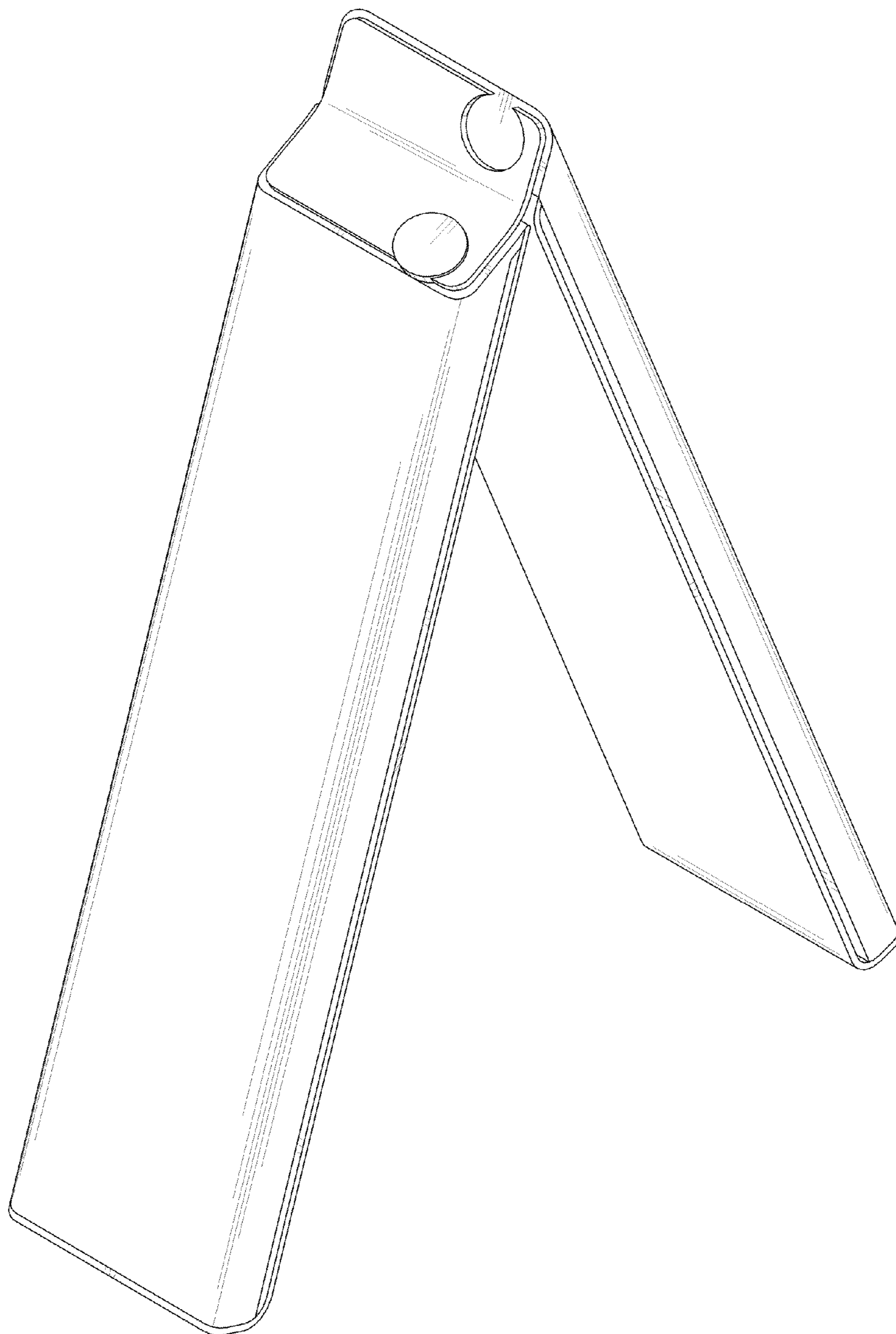


FIG. 2

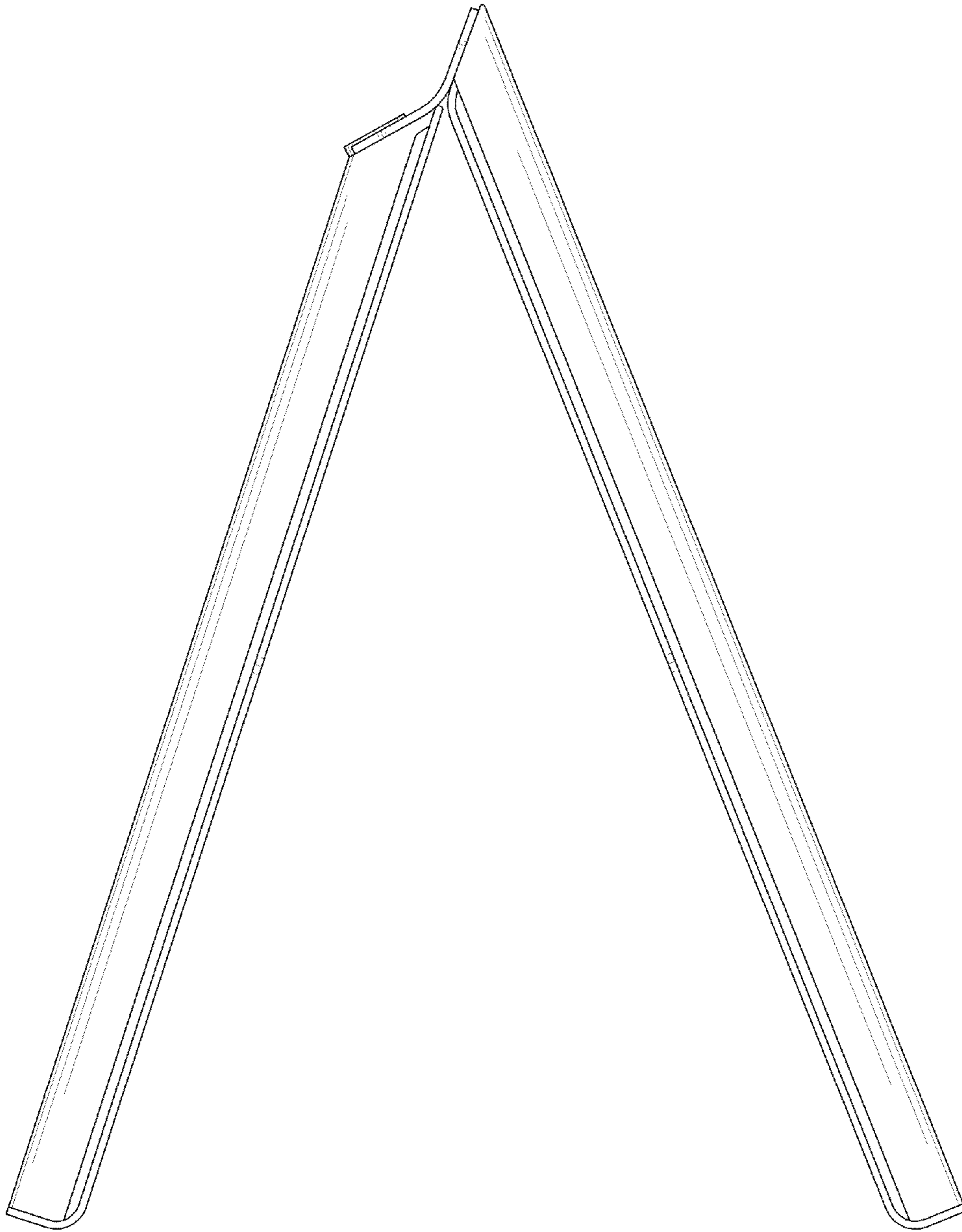


FIG. 3

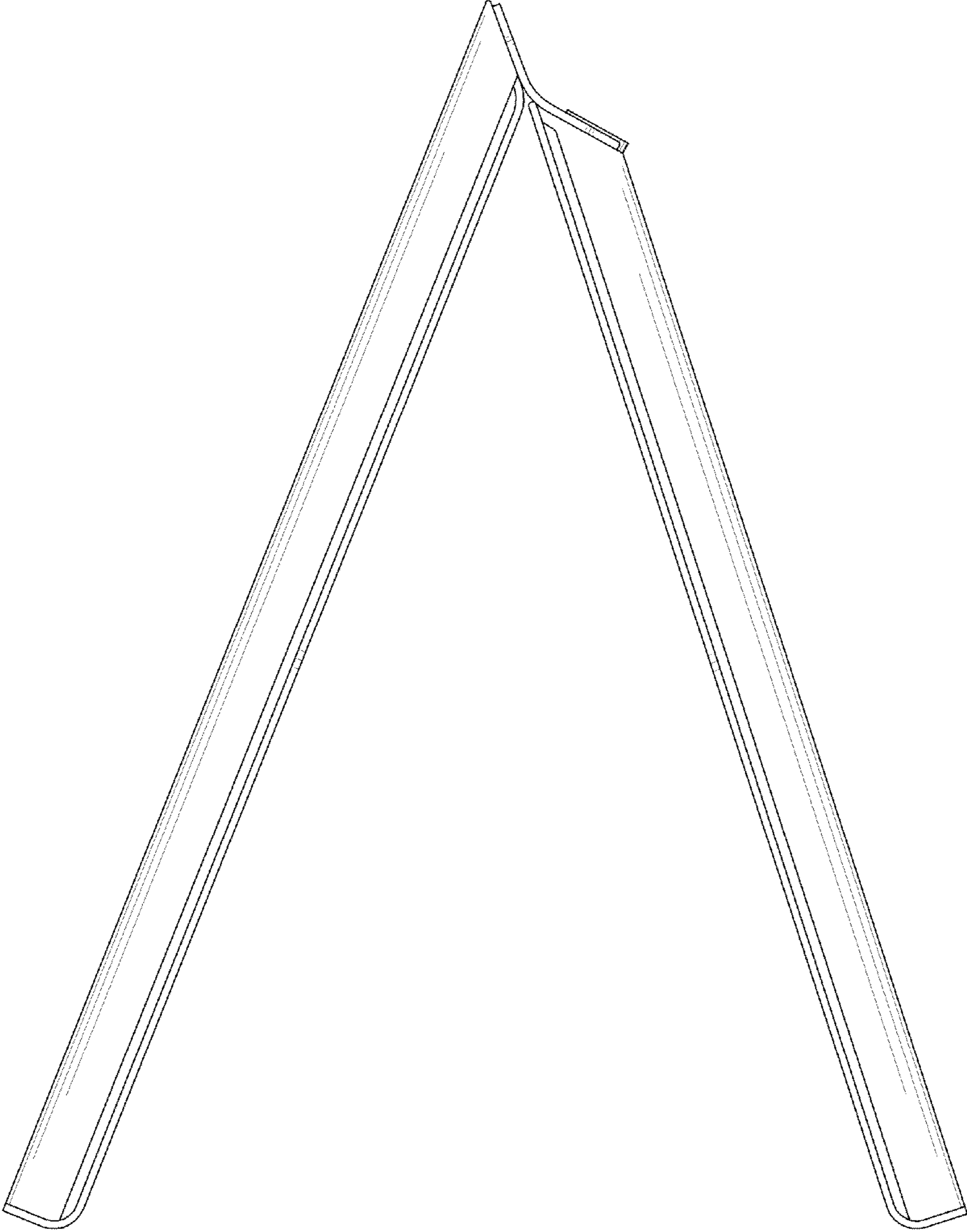


FIG. 4

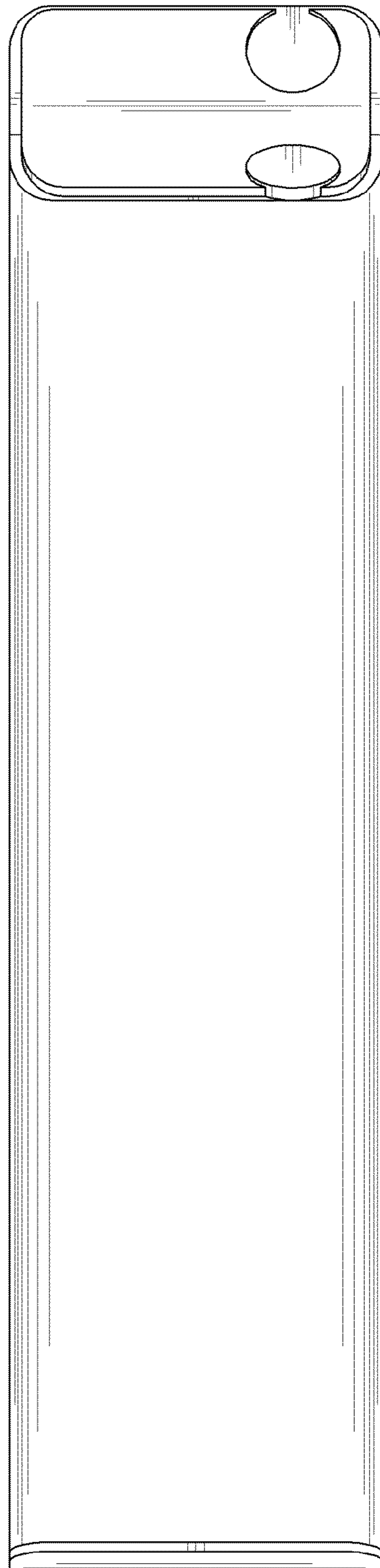


FIG. 5

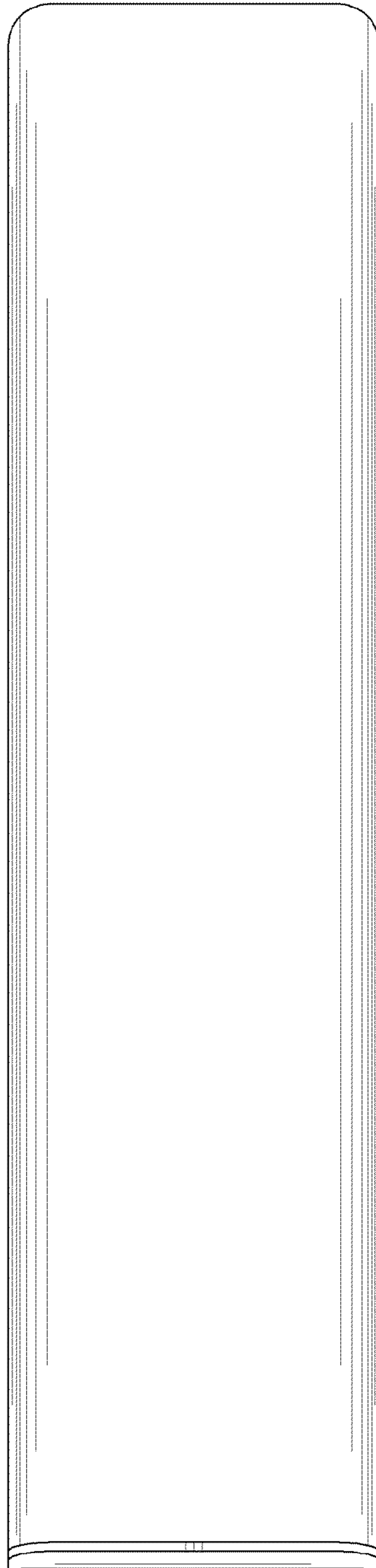


FIG. 6

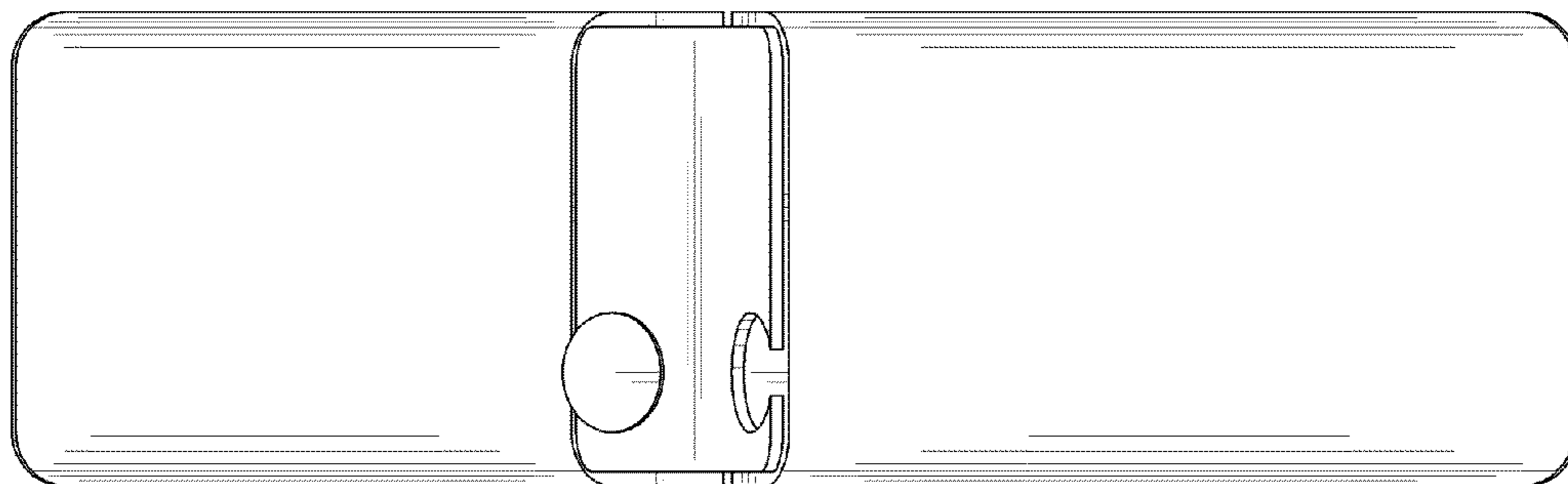


FIG. 7

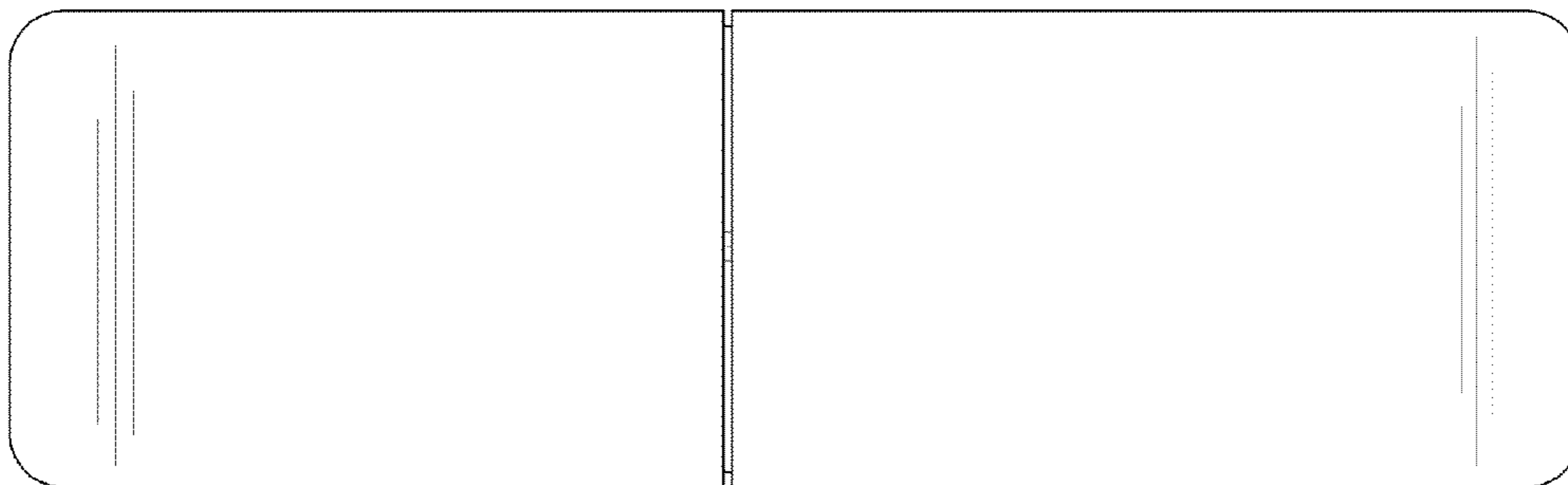


FIG. 8

