



US00D746255S

(12) **United States Design Patent**  
**Tze-Yen**

(10) **Patent No.:** **US D746,255 S**

(45) **Date of Patent:** **\*\* Dec. 29, 2015**

(54) **SPEAKER**

(71) Applicant: **Inventa Capital PLC**, Bloomfield Hills, MI (US)

(72) Inventor: **Lee Tze-Yen**, Singapore (SG)

(73) Assignee: **XMI PTE, Ltd**, Singapore (SG)

(\*\*) Term: **14 Years**

(21) Appl. No.: **29/465,855**

(22) Filed: **Sep. 1, 2013**

(30) **Foreign Application Priority Data**

Jul. 10, 2013 (CN) ..... 2013 3 0320714

(51) **LOC (10) Cl.** ..... **14-01**

(52) **U.S. Cl.**  
USPC ..... **D14/204**

(58) **Field of Classification Search**

USPC ..... D14/167-168, 170-172, 188, 194-196, D14/203.1, 204, 207, 209.1, 210-216, 221, D14/222, 224; 381/300, 332, 334, 336, 345, 381/361-363, 386, 387; D7/510, 532, 533, D7/536

CPC ..... H04B 1/08; H04R 1/02; H04R 5/02; H04R 25/60; H04R 25/65; H04R 25/608

See application file for complete search history.

(56) **References Cited**

U.S. PATENT DOCUMENTS

D257,524 S *	11/1980	Heinrich .....	D7/536
D455,610 S *	4/2002	Bridges .....	D7/536
D474,172 S *	5/2003	Jacobson .....	D14/207
D475,044 S *	5/2003	Kohli et al. ....	D14/253
D476,528 S *	7/2003	Janky et al. ....	D7/536
D574,363 S *	8/2008	Laituri et al. ....	D14/216

\* cited by examiner

*Primary Examiner* — Derrick Holland

*Assistant Examiner* — Janice Lim

(74) *Attorney, Agent, or Firm* — Inventa Capital PLC

(57) **CLAIM**

The ornamental design for a speaker, as shown and described.

**DESCRIPTION**

FIG. 1 is a perspective view of a speaker, with the top in open condition, showing my new design;

FIG. 2 is a right side view of the speaker of FIG. 1;

FIG. 3 is a front view of the speaker of FIG. 1

FIG. 4 is a left side view of the speaker of FIG. 1;

FIG. 5 is a rear view of the speaker of FIG. 1;

FIG. 6 is a top view of the speaker of FIG. 1; and,

FIG. 7 is a bottom view of the speaker of FIG. 1.

The broken line portion of FIGS. 1-7 are included to show unclaimed subject matter only and form no part of the claimed design.

**1 Claim, 4 Drawing Sheets**

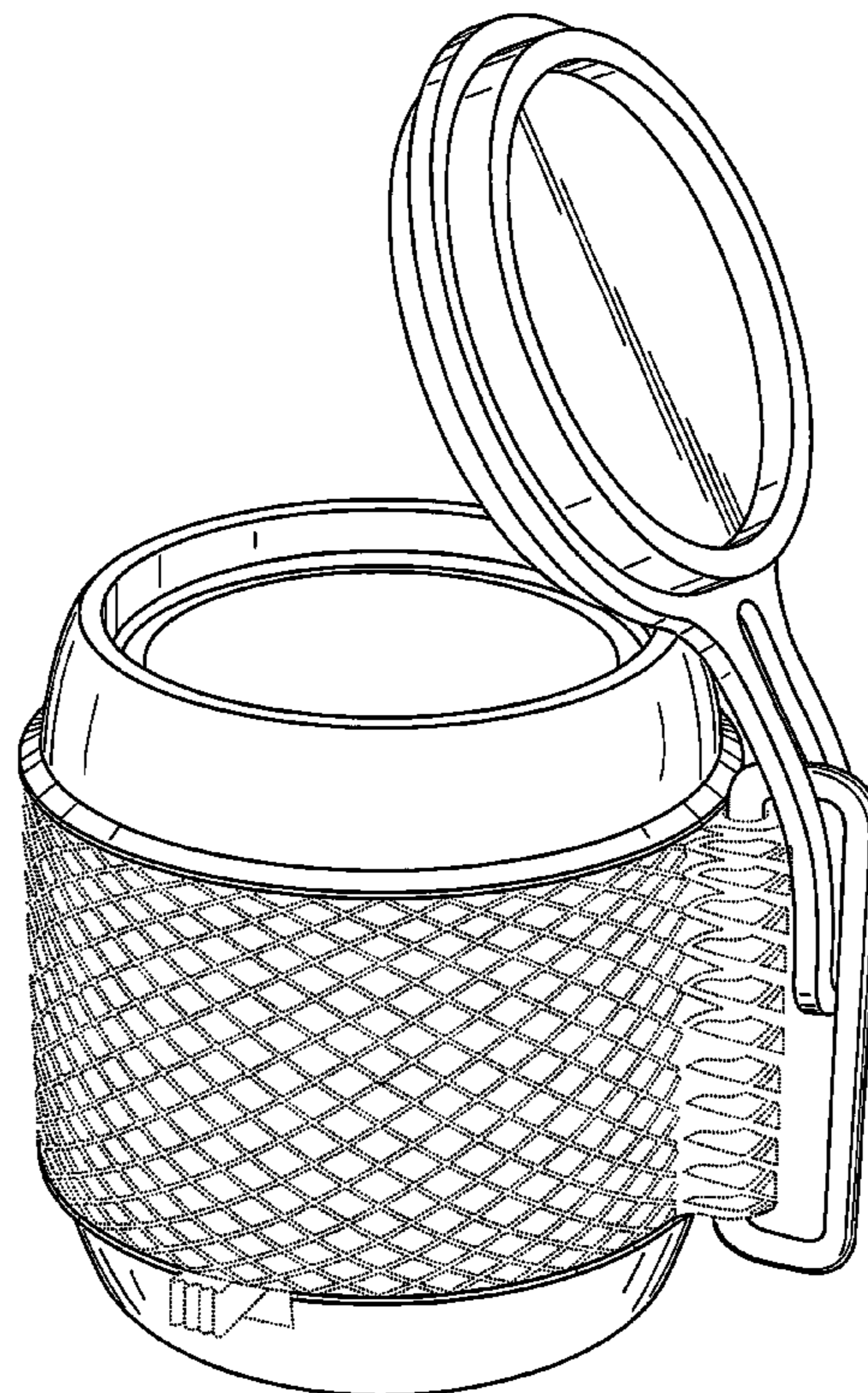


FIG. 1

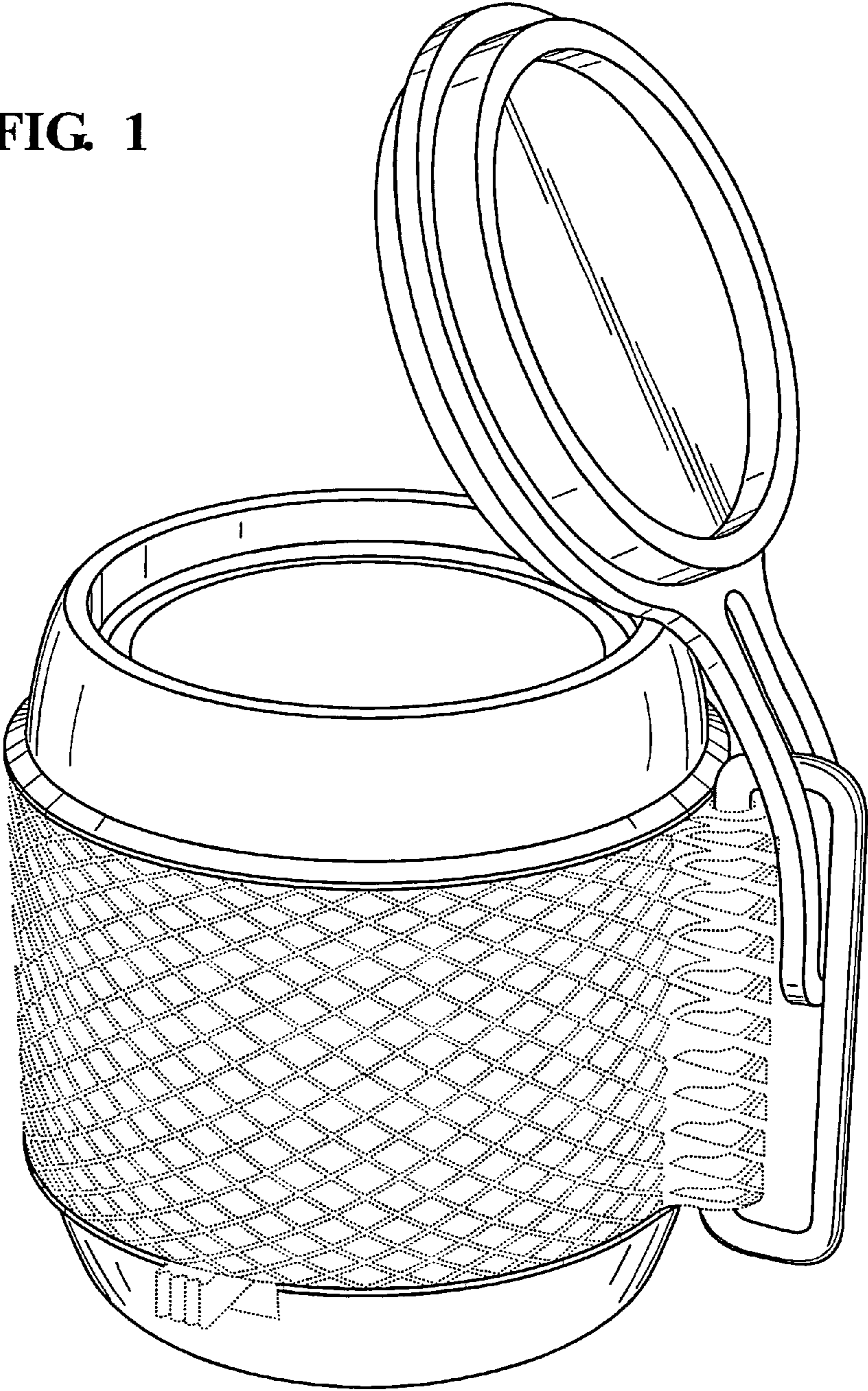


FIG. 2

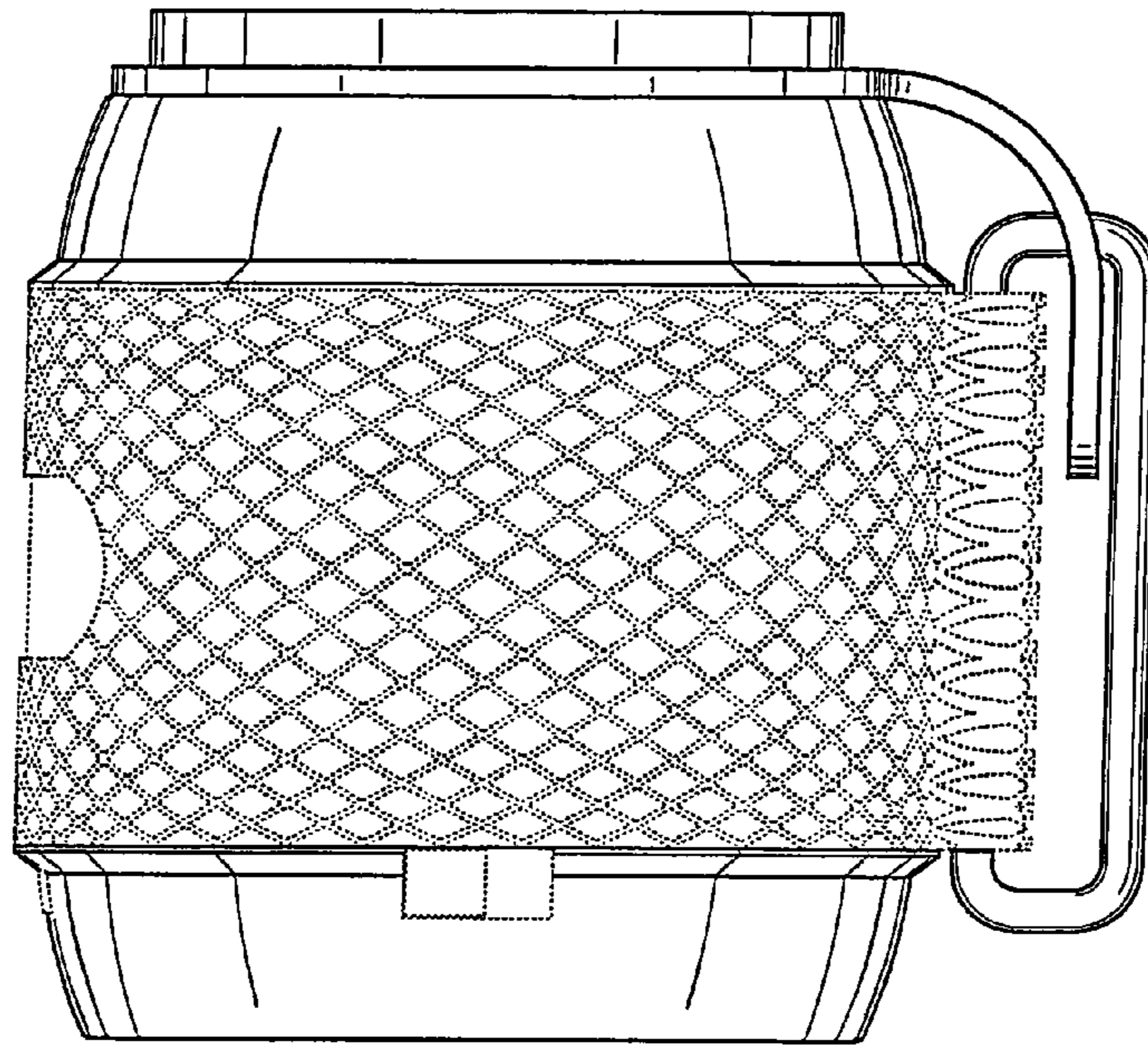


FIG. 3

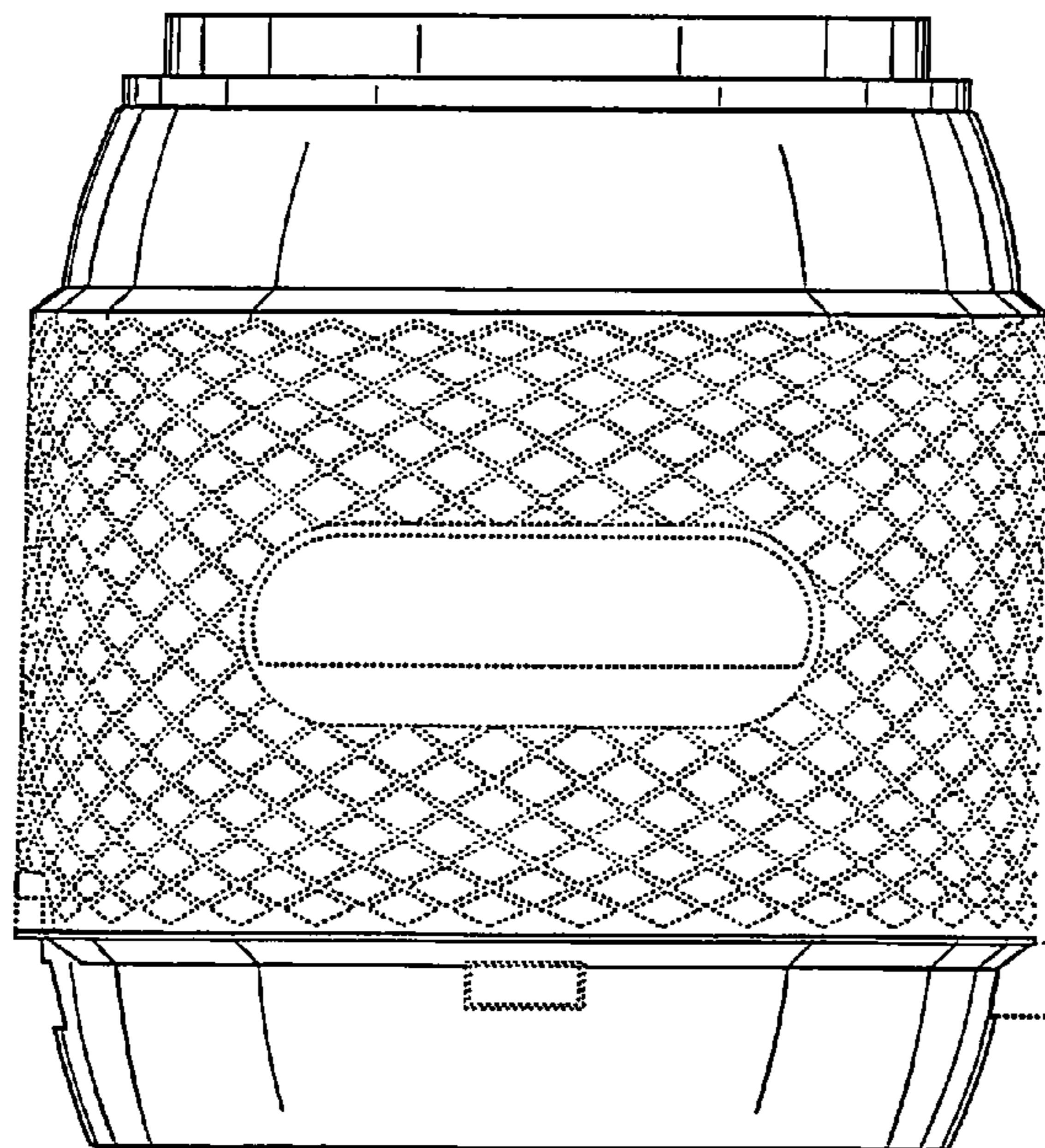


FIG. 4

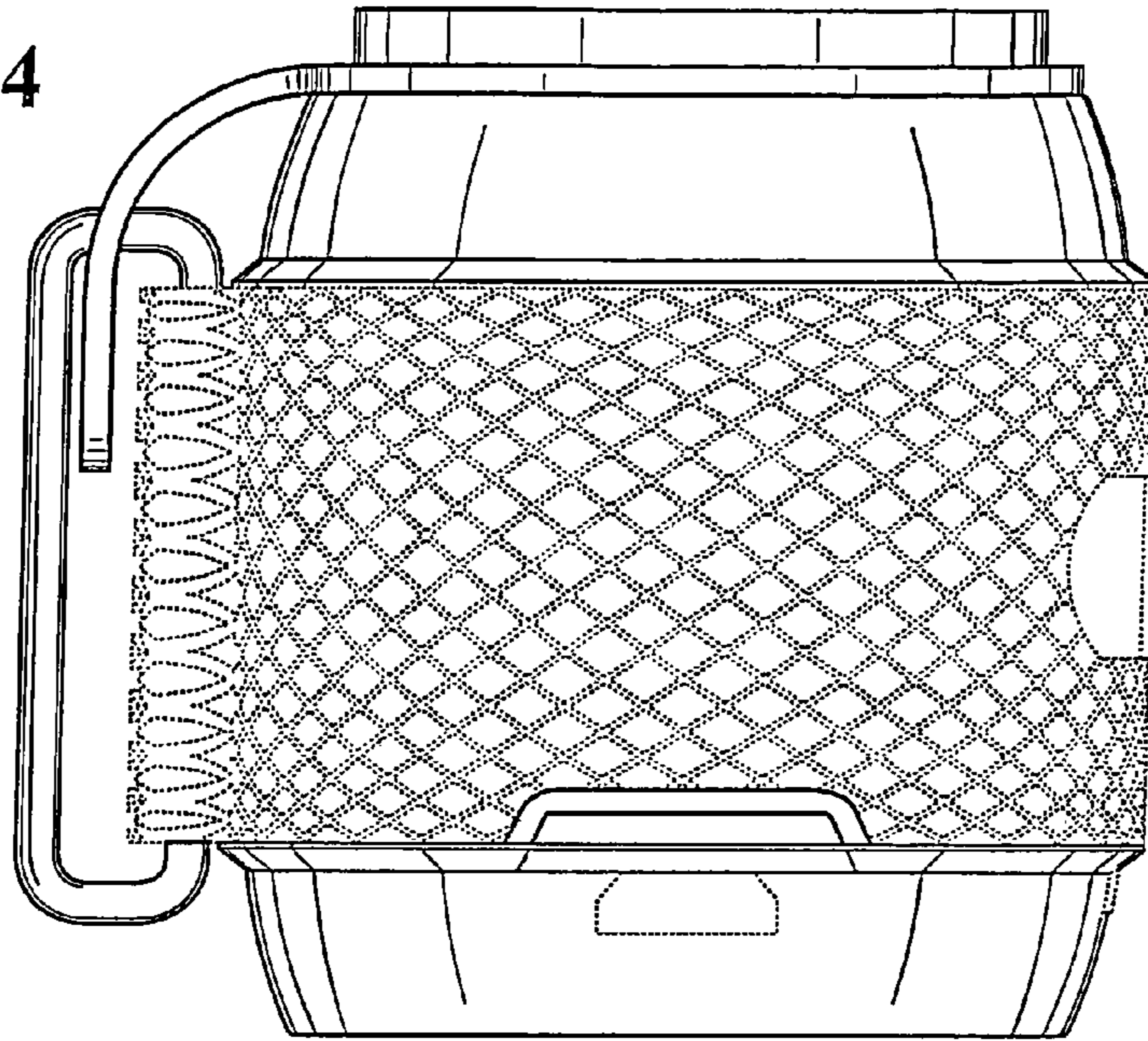
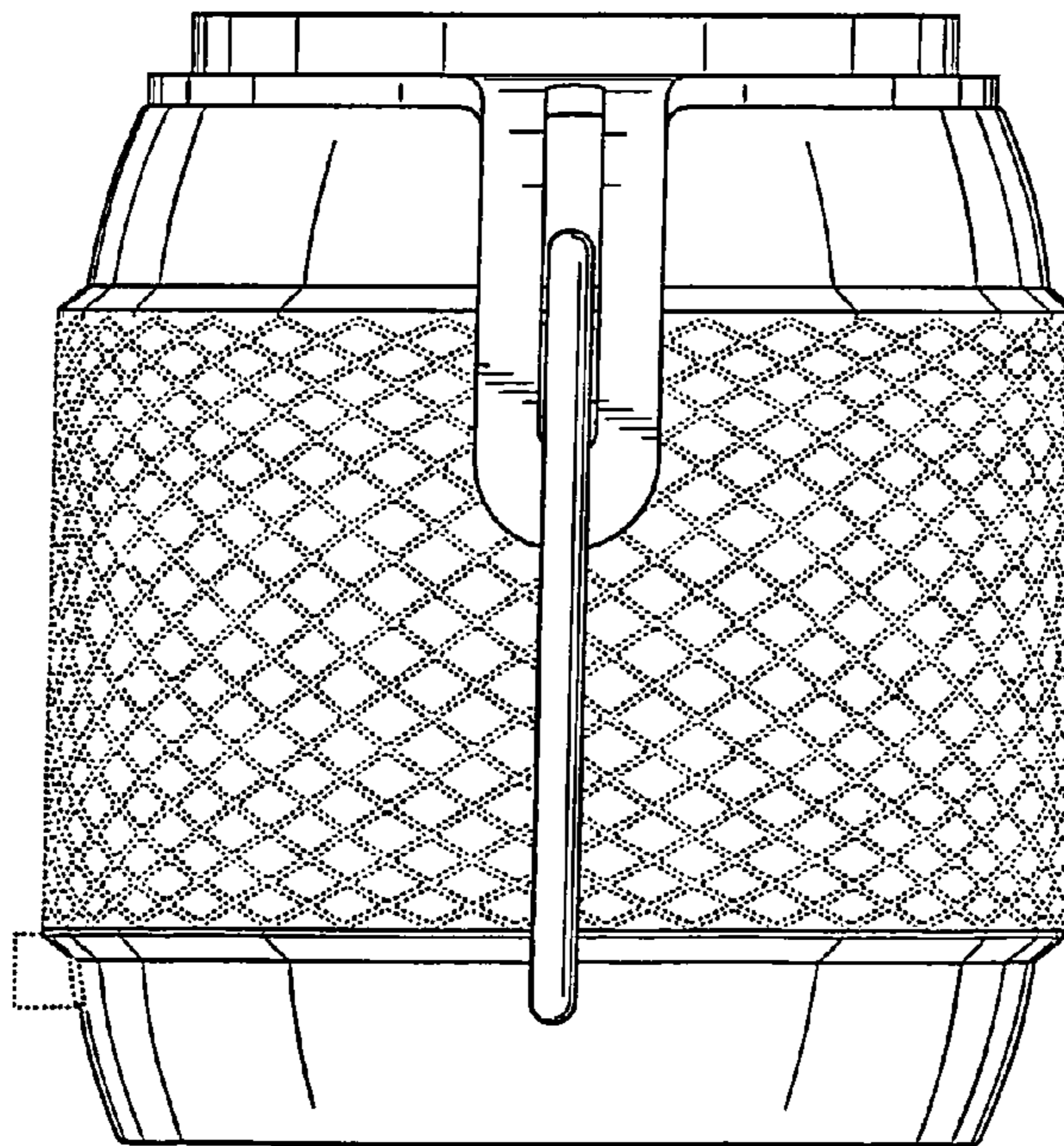
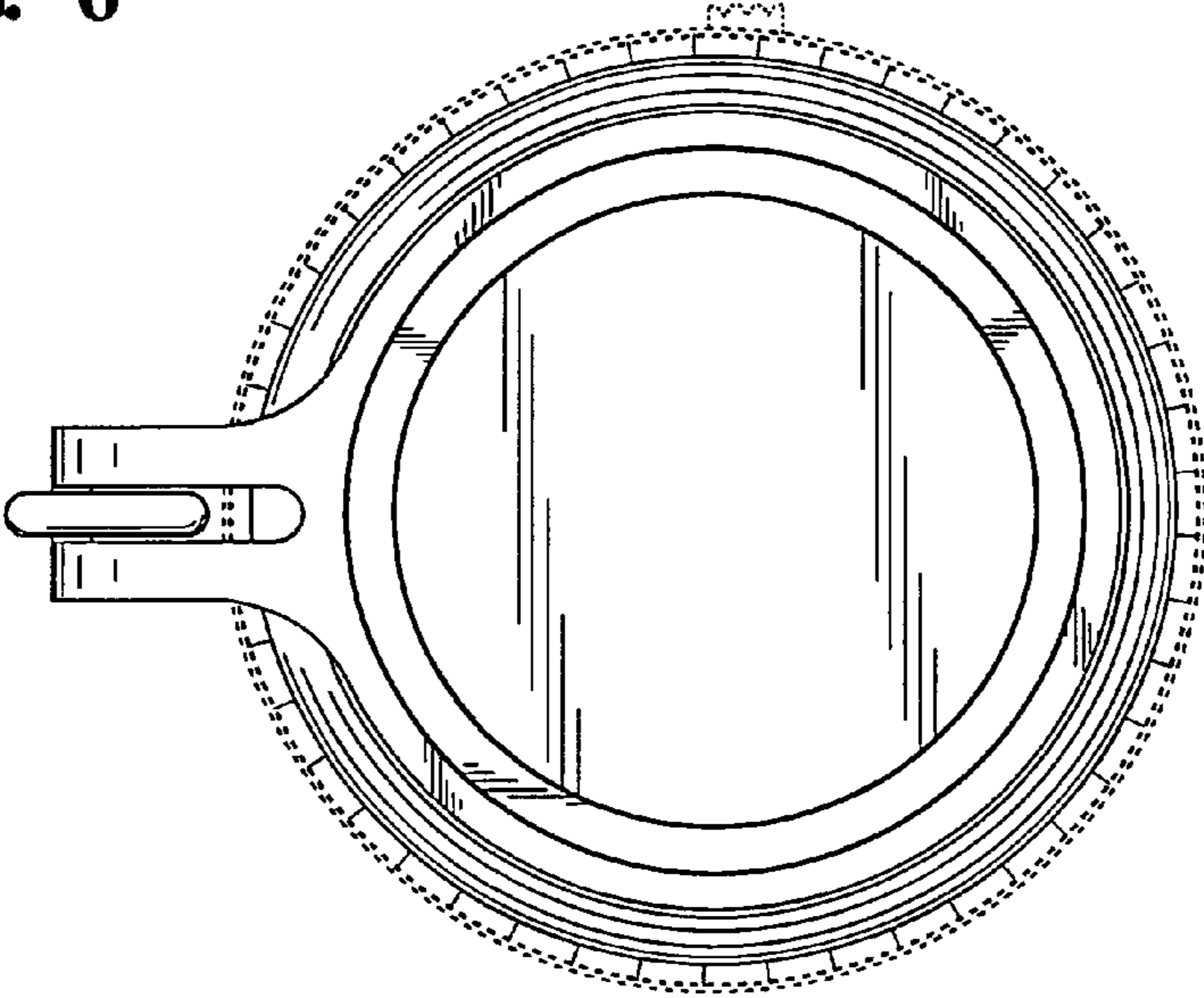


FIG. 5



**FIG. 6**



**FIG. 7**

