



US00D746251S

(12) **United States Design Patent**
Michielan

(10) **Patent No.:** **US D746,251 S**

(45) **Date of Patent:** **** Dec. 29, 2015**

(54) **VIDEO ENTRYPHONE**

(71) Applicant: **BPT SPA**, Sesto Al Reghena (IT)

(72) Inventor: **Gianni Michielan**, Sesto Al Reghena (IT)

(73) Assignee: **BPT SPA**, Sesto al Reghena (PN) (IT)

(**) Term: **14 Years**

(21) Appl. No.: **29/472,019**

(22) Filed: **Nov. 7, 2013**

(30) **Foreign Application Priority Data**

May 7, 2013 (EM) 002233494-0001
May 7, 2013 (EM) 002233494-0002

(51) **LOC (10) Cl.** **14-03**

(52) **U.S. Cl.**
USPC **D14/142**

(58) **Field of Classification Search**
USPC D14/137, 140, 142, 149-151, 159, 240;
379/419, 440, 434-436, 454, 455;
455/566, 575.1
See application file for complete search history.

(56) **References Cited**

U.S. PATENT DOCUMENTS

| | | | | |
|--------------|---------|------------------|-------|-----------|
| D298,318 S * | 11/1988 | Doi | | D14/141.2 |
| D408,817 S * | 4/1999 | Ishibashi | | D14/149 |
| D494,955 S * | 8/2004 | Guerrera et al. | | D14/149 |
| D495,313 S * | 8/2004 | Guerrera et al. | | D14/149 |
| D568,305 S * | 5/2008 | Udagawa et al. | | D14/247 |
| D569,820 S * | 5/2008 | Rinaldi et al. | | D14/130 |
| D596,612 S * | 7/2009 | Akatsu et al. | | D14/151 |
| D624,522 S * | 9/2010 | Takahata et al. | | D14/159 |
| D675,592 S * | 2/2013 | Fuxen | | D14/151 |
| D686,184 S * | 7/2013 | Takahata et al. | | D14/151 |
| D694,733 S * | 12/2013 | Rodriguez et al. | | D14/142 |

OTHER PUBLICATIONS

<http://www.intercomsrus.com/bpt.htm> Available online Jan. 21, 2012.*

* cited by examiner

Primary Examiner — Susan Bennett Hattan

Assistant Examiner — Leanne Was

(74) *Attorney, Agent, or Firm* — Merchant & Gould P.C.

(57) **CLAIM**

The ornamental design for a video entryphone, as shown and described.

DESCRIPTION

FIG. 1 is a perspective view of a first embodiment of a video entryphone showing my new design;
 FIG. 2 is a front view of the video entryphone shown in FIG. 1;
 FIG. 3 is a rear view of the video entryphone shown in FIG. 1;
 FIG. 4 is a left side view of the video entryphone shown in FIG. 1;
 FIG. 5 is a right side view of the video entryphone shown in FIG. 1;
 FIG. 6 is a top view of the video entryphone shown in FIG. 1;
 FIG. 7 is a bottom view of the video entryphone shown in FIG. 1;
 FIG. 8 is a perspective view a second embodiment of a video entryphone showing my new design;
 FIG. 9 is a front view of the video entryphone shown in FIG. 8;
 FIG. 10 is a rear view of the video entryphone shown in FIG. 8;
 FIG. 11 is a left side view of the video entryphone shown in FIG. 8;
 FIG. 12 is a right side view of the video entryphone shown in FIG. 8;
 FIG. 13 is a top view of the video entryphone shown in FIG. 8; and,
 FIG. 14 is a bottom view of the video entryphone shown in FIG. 8.
 The broken lines depict portions of the video entryphone that form no part of the claimed design.

1 Claim, 10 Drawing Sheets

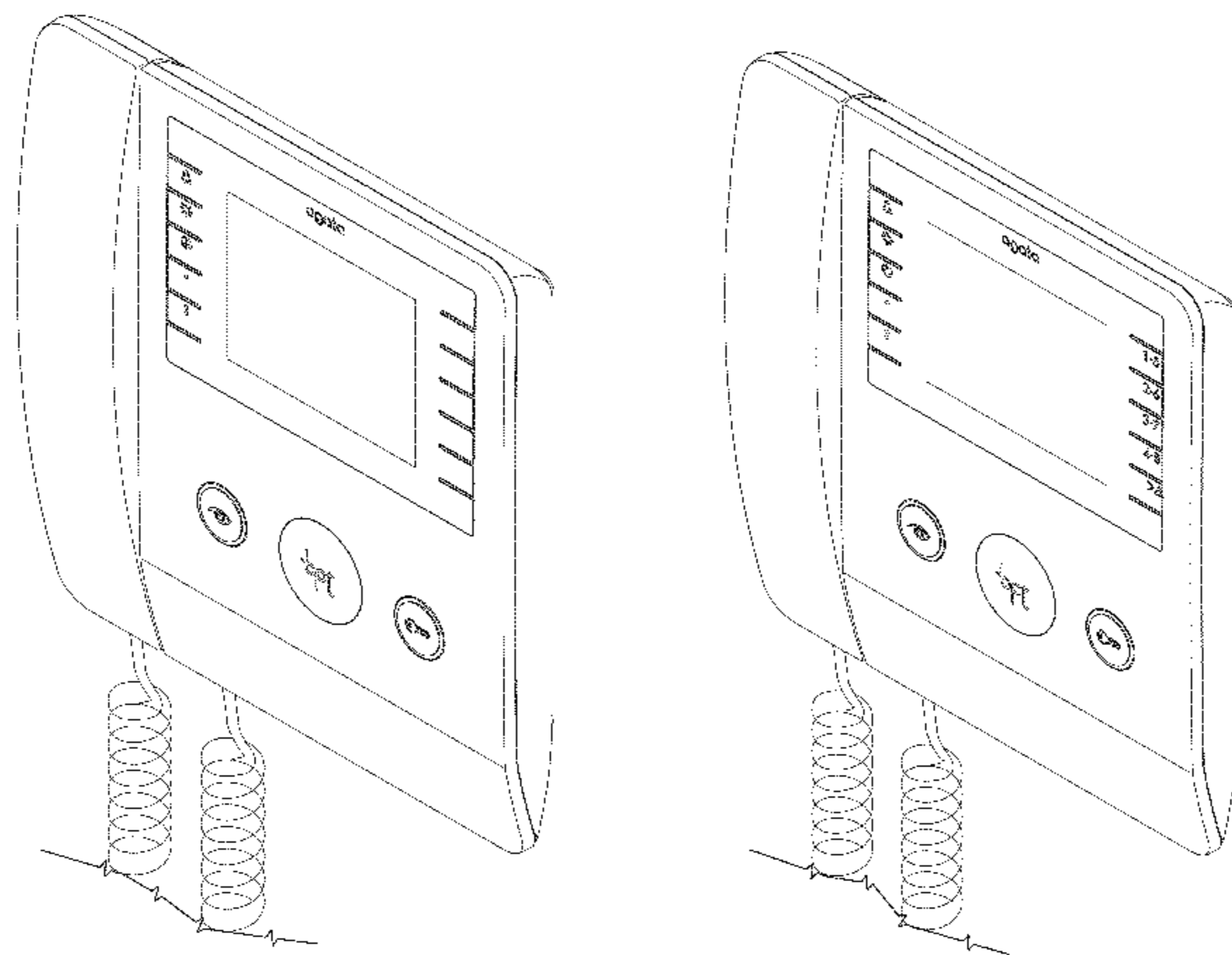


FIG. 1

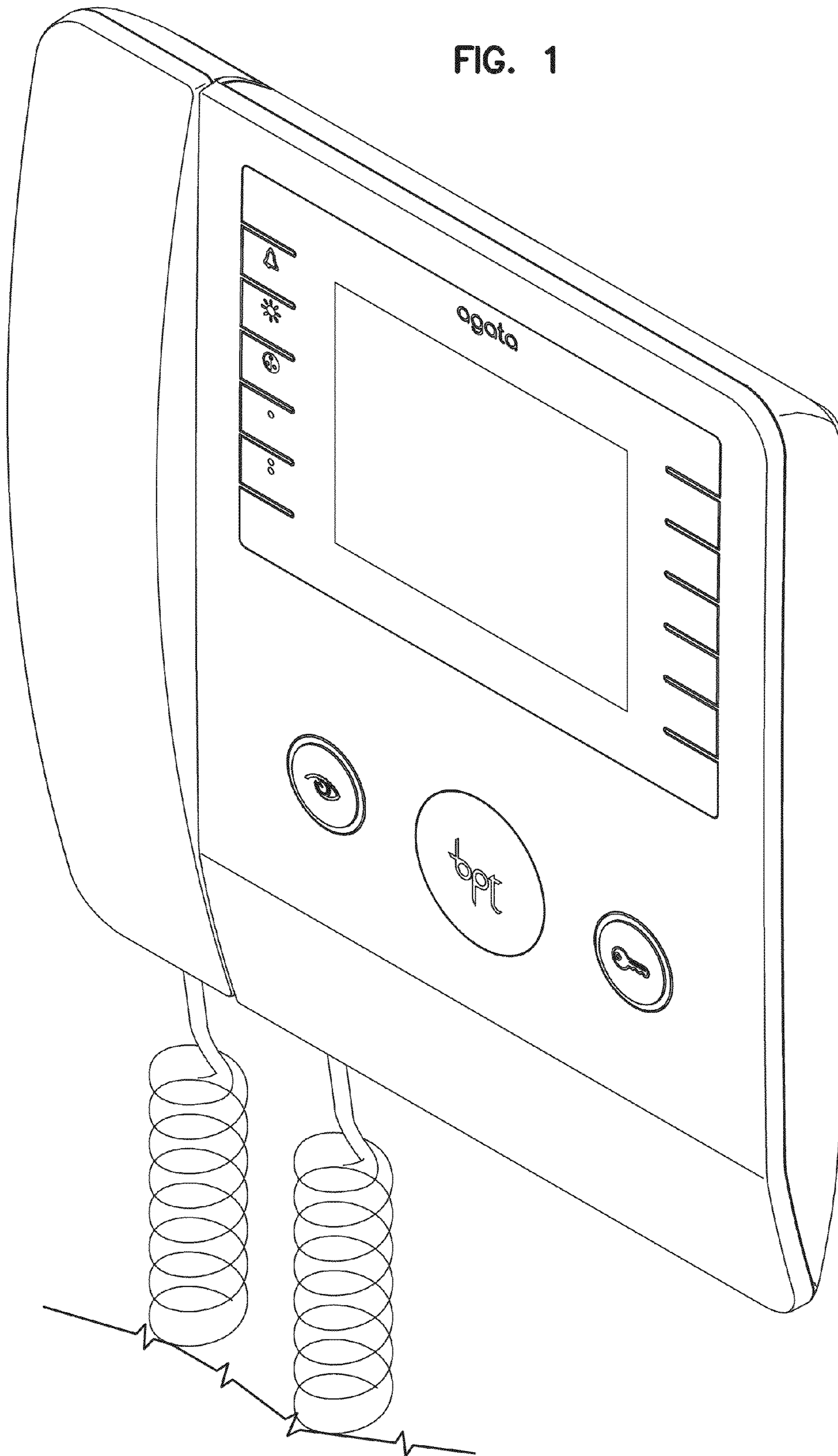


FIG. 2

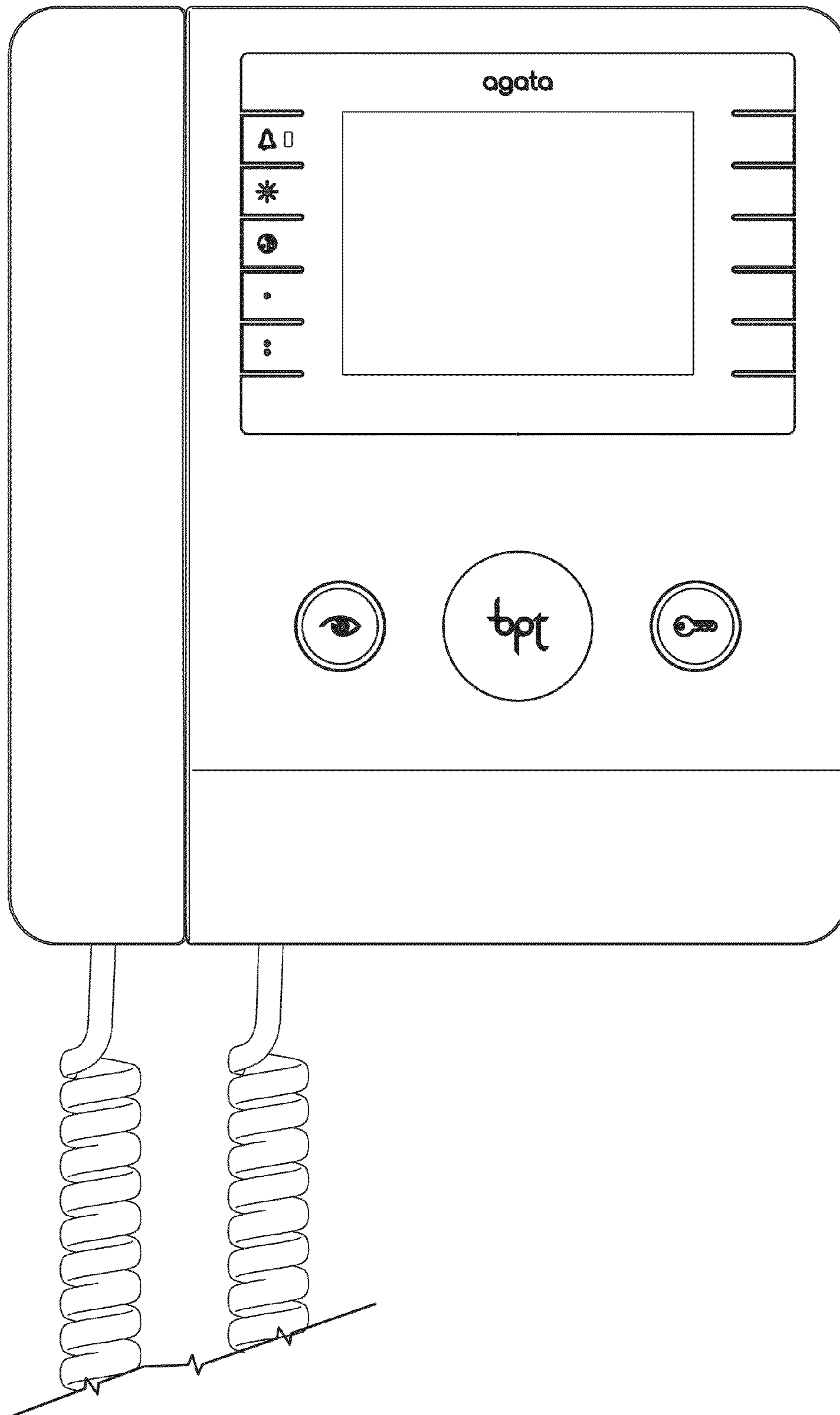


FIG. 3

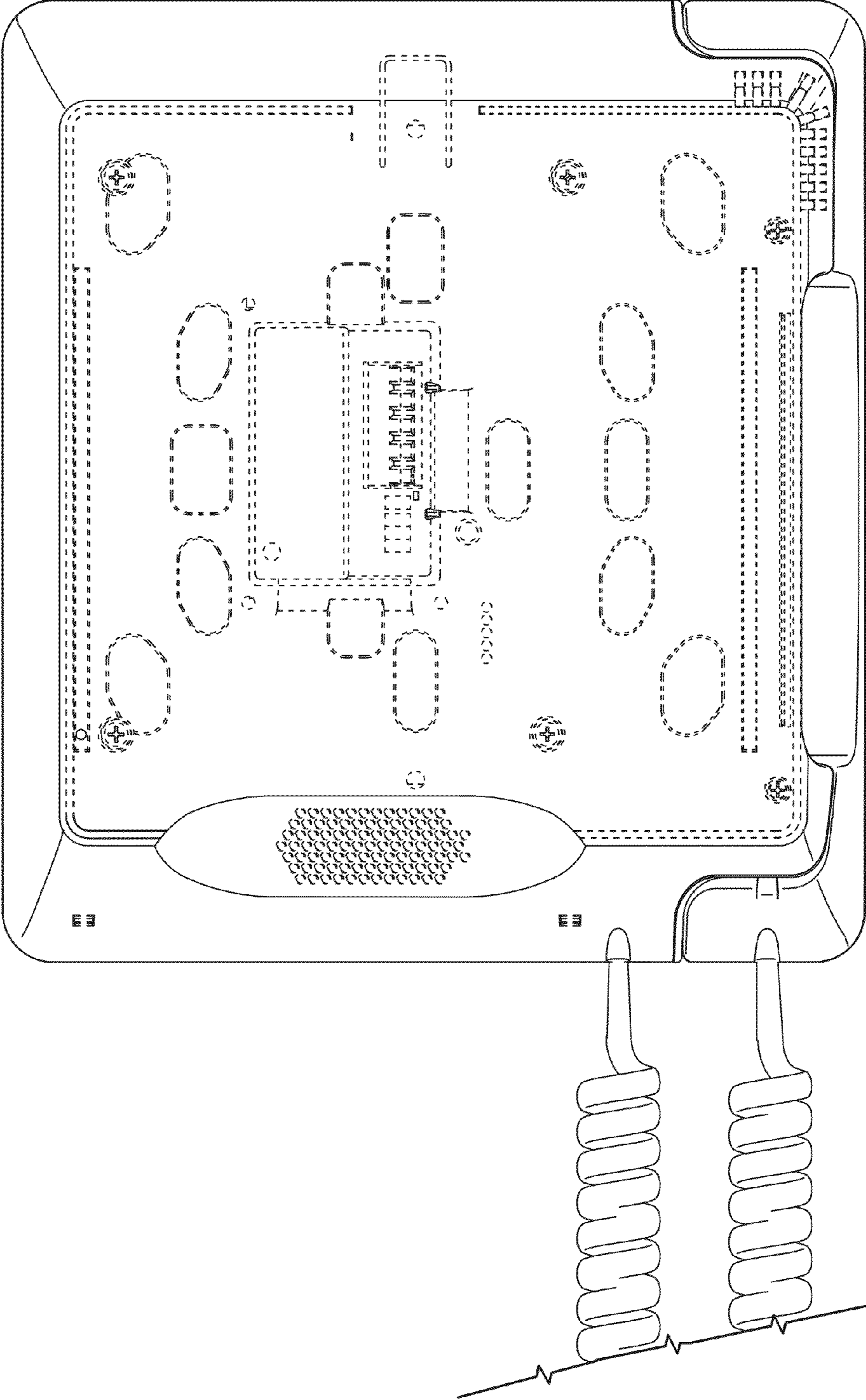


FIG. 4

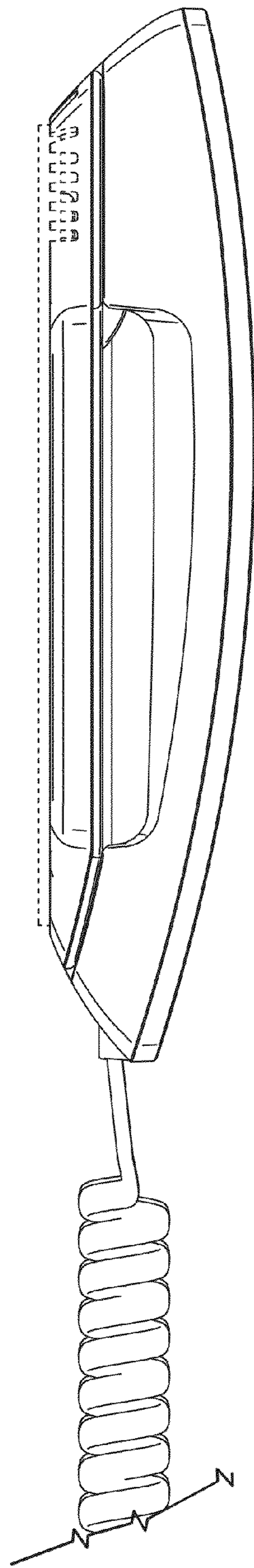


FIG. 5

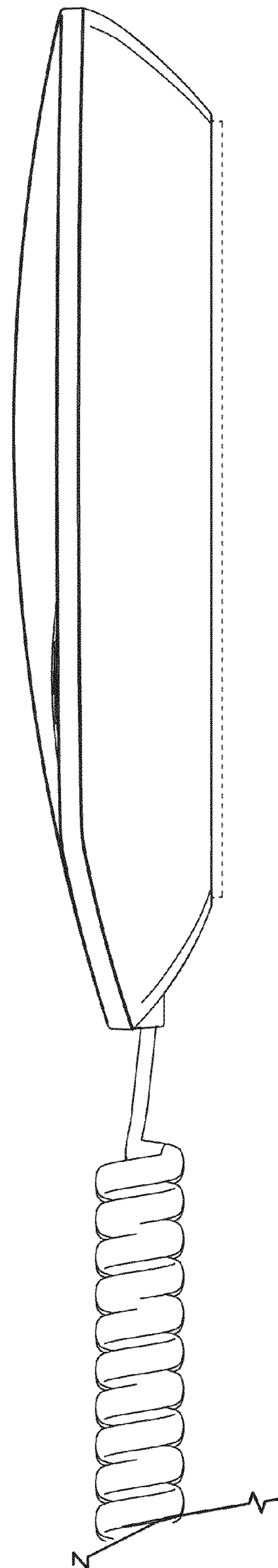


FIG. 6

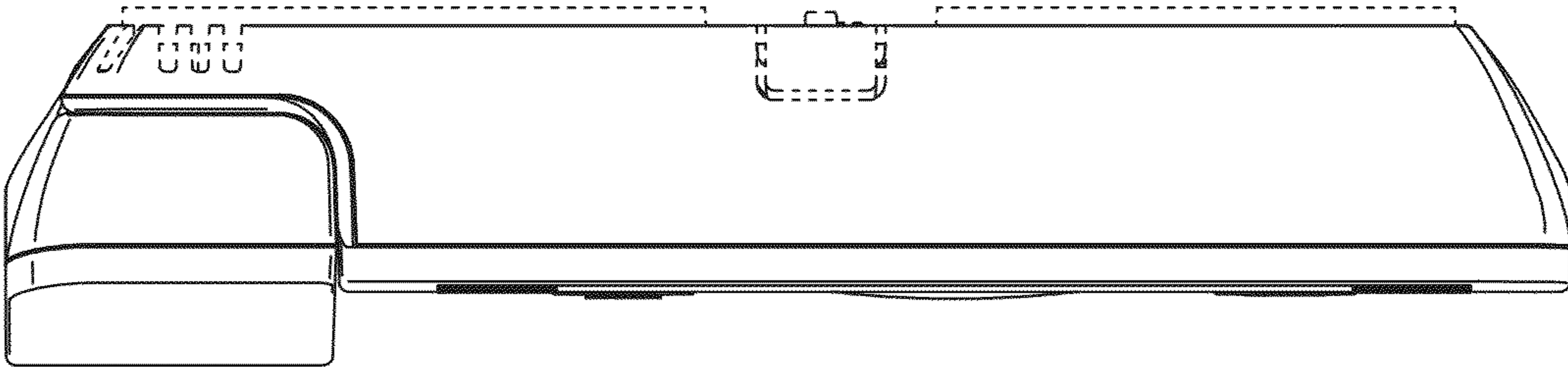


FIG. 7

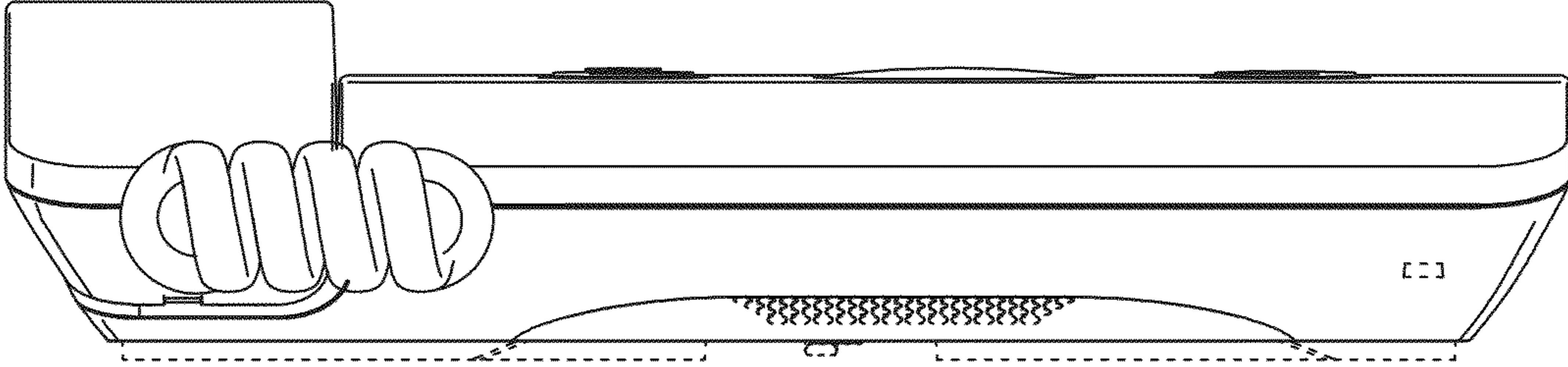


FIG. 8

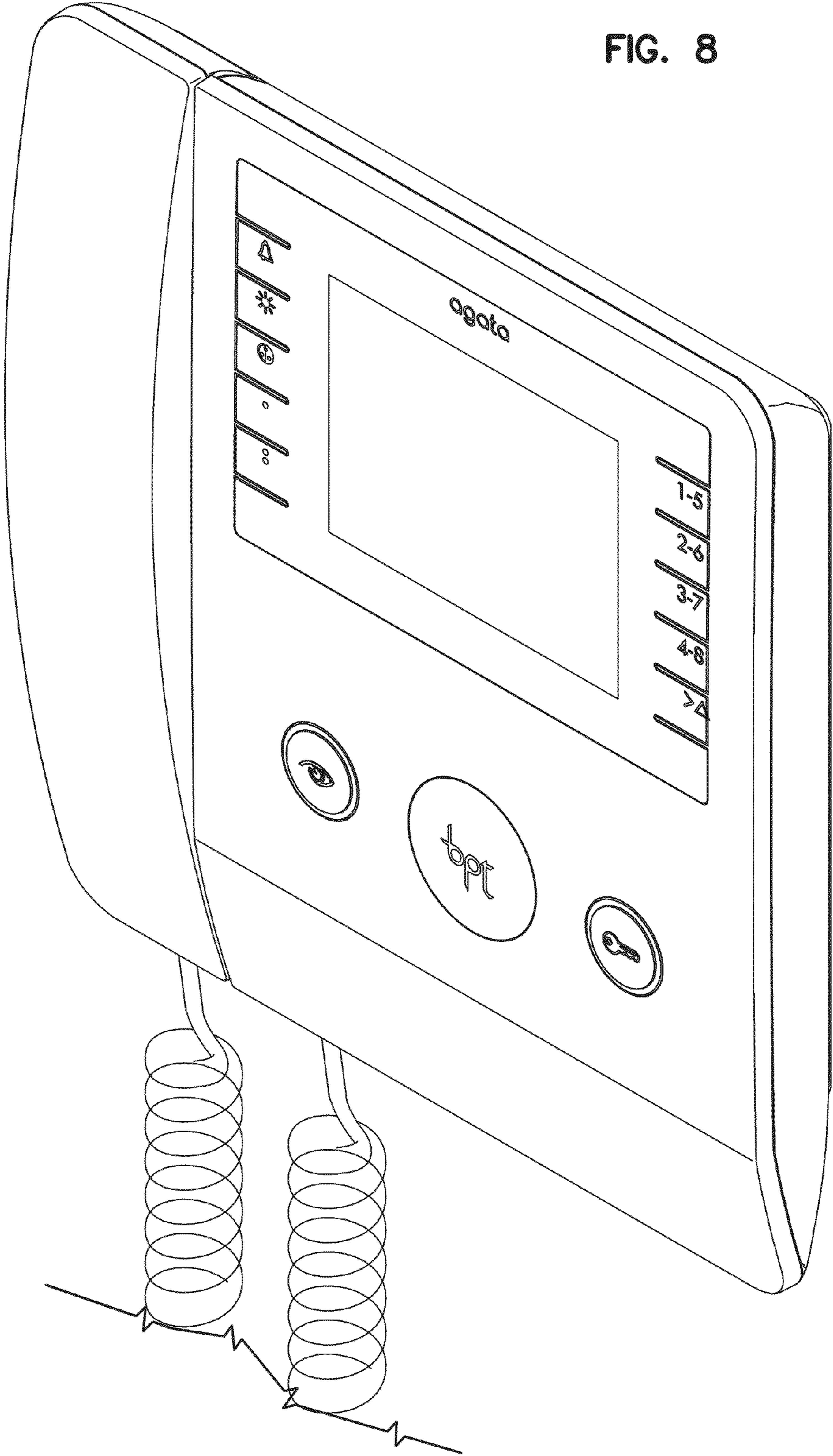


FIG. 9

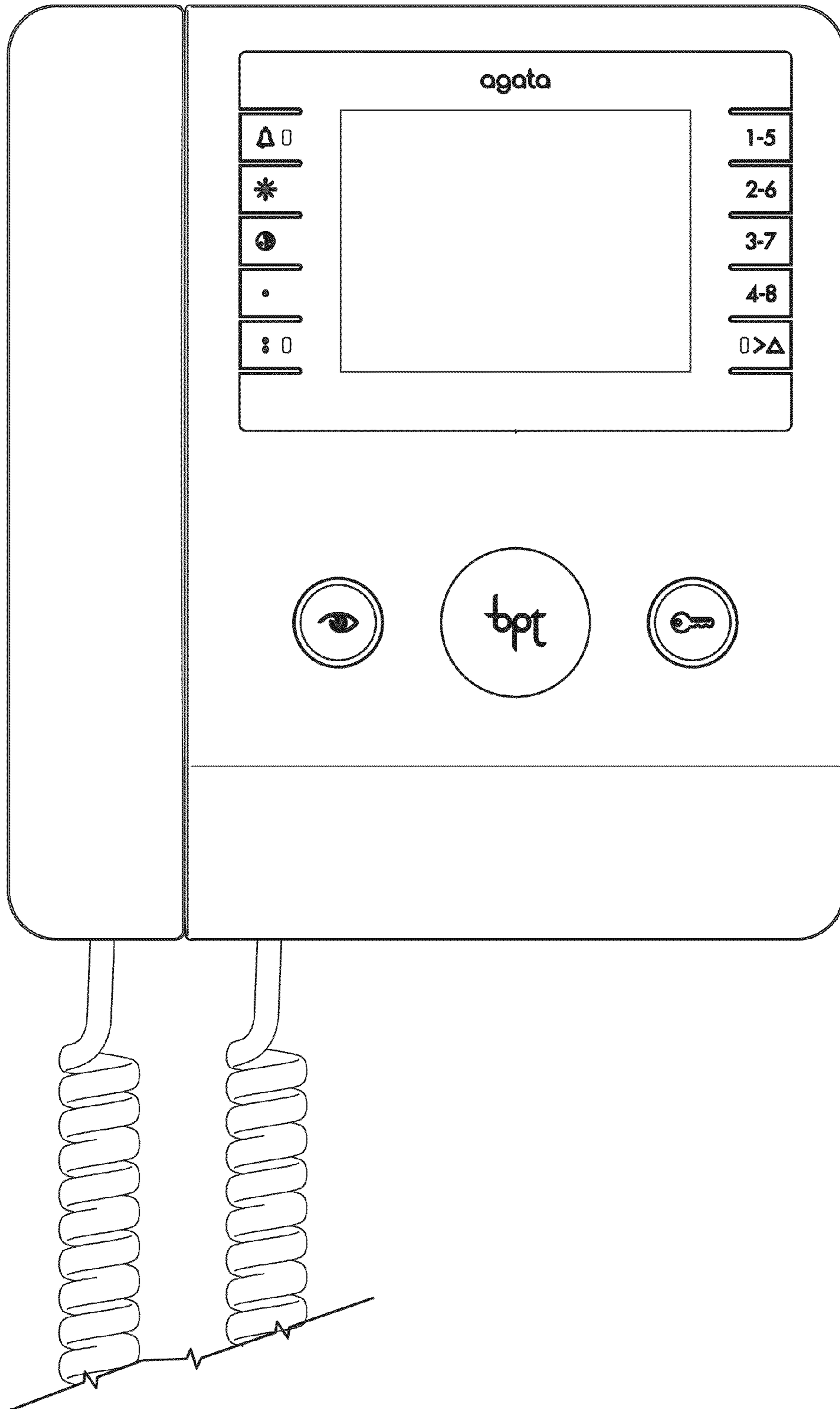


FIG. 10

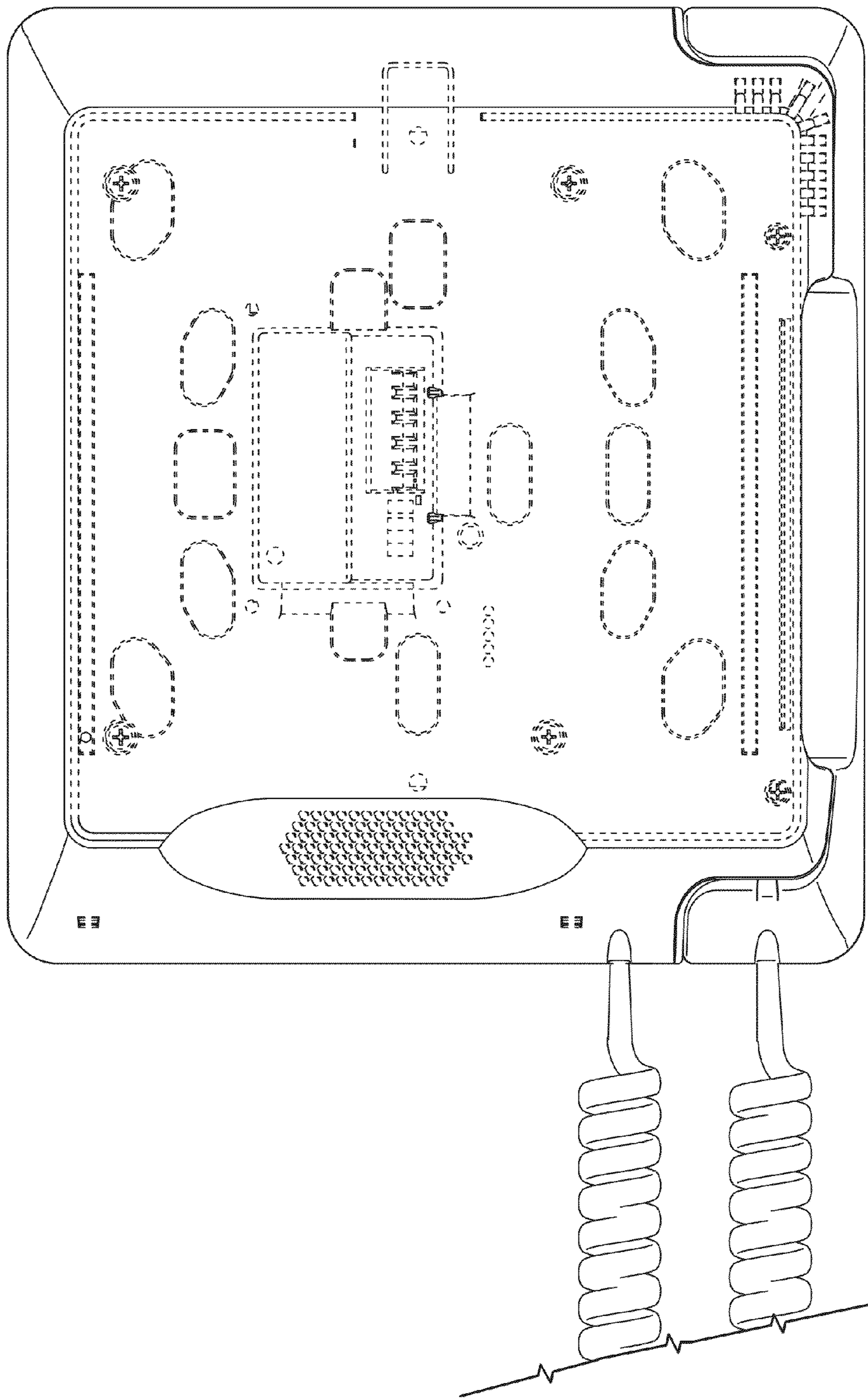


FIG. 11

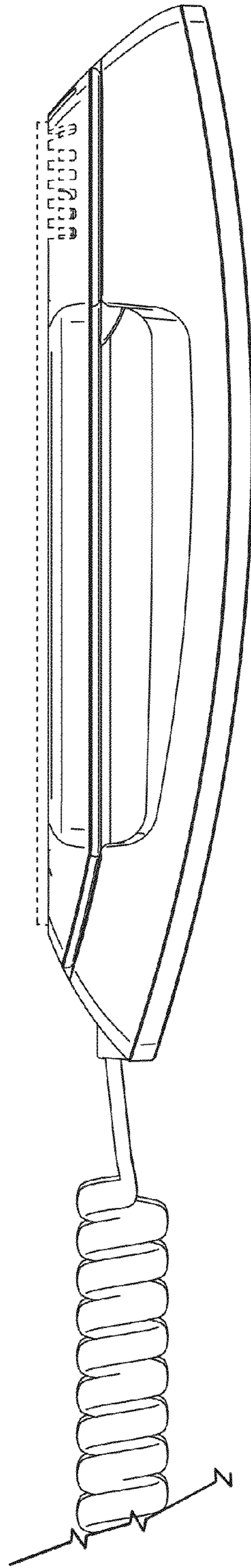


FIG. 12

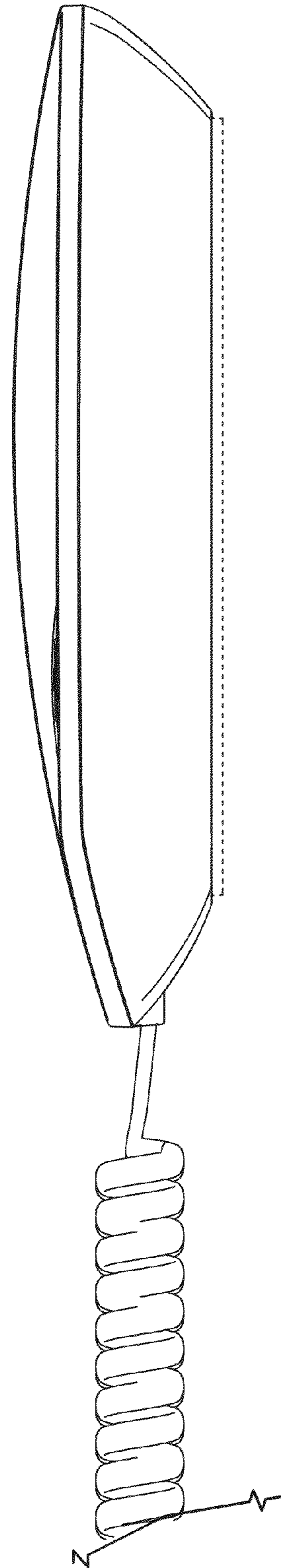


FIG. 13

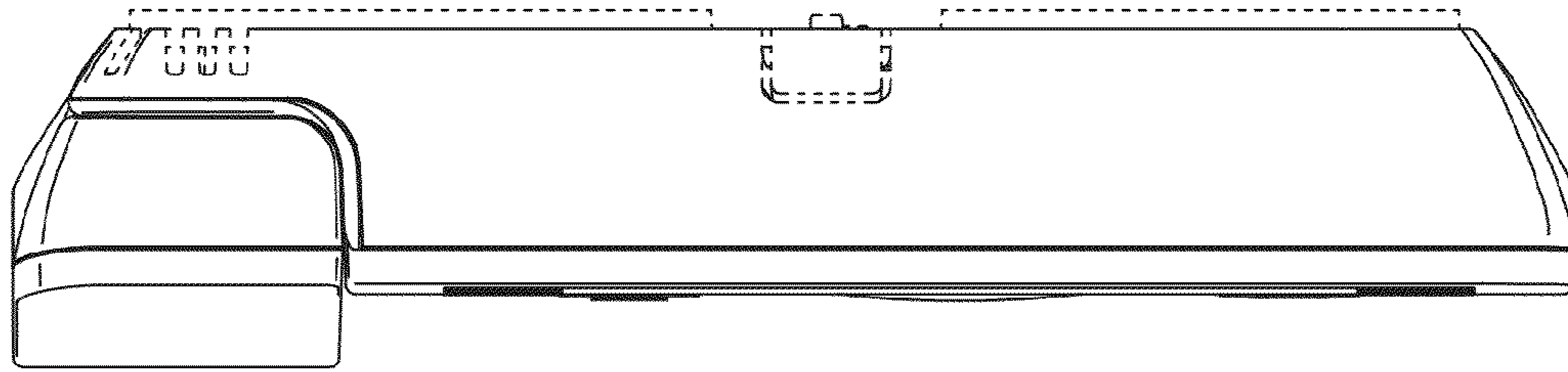


FIG. 14

