



US00D746249S

(12) **United States Design Patent**
Park et al.

(10) **Patent No.:** **US D746,249 S**

(45) **Date of Patent:** **** Dec. 29, 2015**

(54) **COMMUNICATION DEVICE**

- (71) Applicant: **MOTOROLA MOBILITY LLC**,
Chicago, IL (US)
- (72) Inventors: **Sangsoo Park**, Chicago, IL (US);
Christopher A Arnholt, Highland Park,
IL (US); **Julio C Castaneda**, Coconut
Creek, FL (US); **Mark D Finney**,
Chicago, IL (US); **Toshihiro Fujimura**,
Chicago, IL (US); **Xinrui Jiang**,
Chicago, IL (US); **Paul M Pierce**,
Grayslake, IL (US)

(73) Assignee: **Motorola Mobility LLC**, Chicago, IL
(US)

(**) Term: **14 Years**

(21) Appl. No.: **29/478,462**

(22) Filed: **Jan. 6, 2014**

(51) **LOC (10) Cl.** **14-03**

(52) **U.S. Cl.**
USPC **D14/138 G**

(58) **Field of Classification Search**
USPC D14/138 G, 138 AD, 341, 346, 345,
D14/138 R, 496, 203.1, 203.3, 203.5, 203.7,
D14/248, 218, 250; 455/575.1, 556.2,
455/575.3, 575.4; D21/517, 329;
379/433.01, 433.04; D10/65, 78;
361/679.3, 679.56; D13/168
CPC G06F 1/1626; H04M 1/72527; H04M
1/0266; H04M 1/185; H04M 1/0202-1/035
See application file for complete search history.

(56) **References Cited**

U.S. PATENT DOCUMENTS

- D595,712 S * 7/2009 Guery et al. D14/341
- D622,692 S 8/2010 McWilliam et al.

(Continued)

OTHER PUBLICATIONS

Motorola Moto E, released May 2014, [online], [site visited Aug. 14, 2015]. Available from Internet, <URL: http://www.gsmarena.com/motorola_moto_e-6376.php>.*

(Continued)

Primary Examiner — Jeffrey D Asch

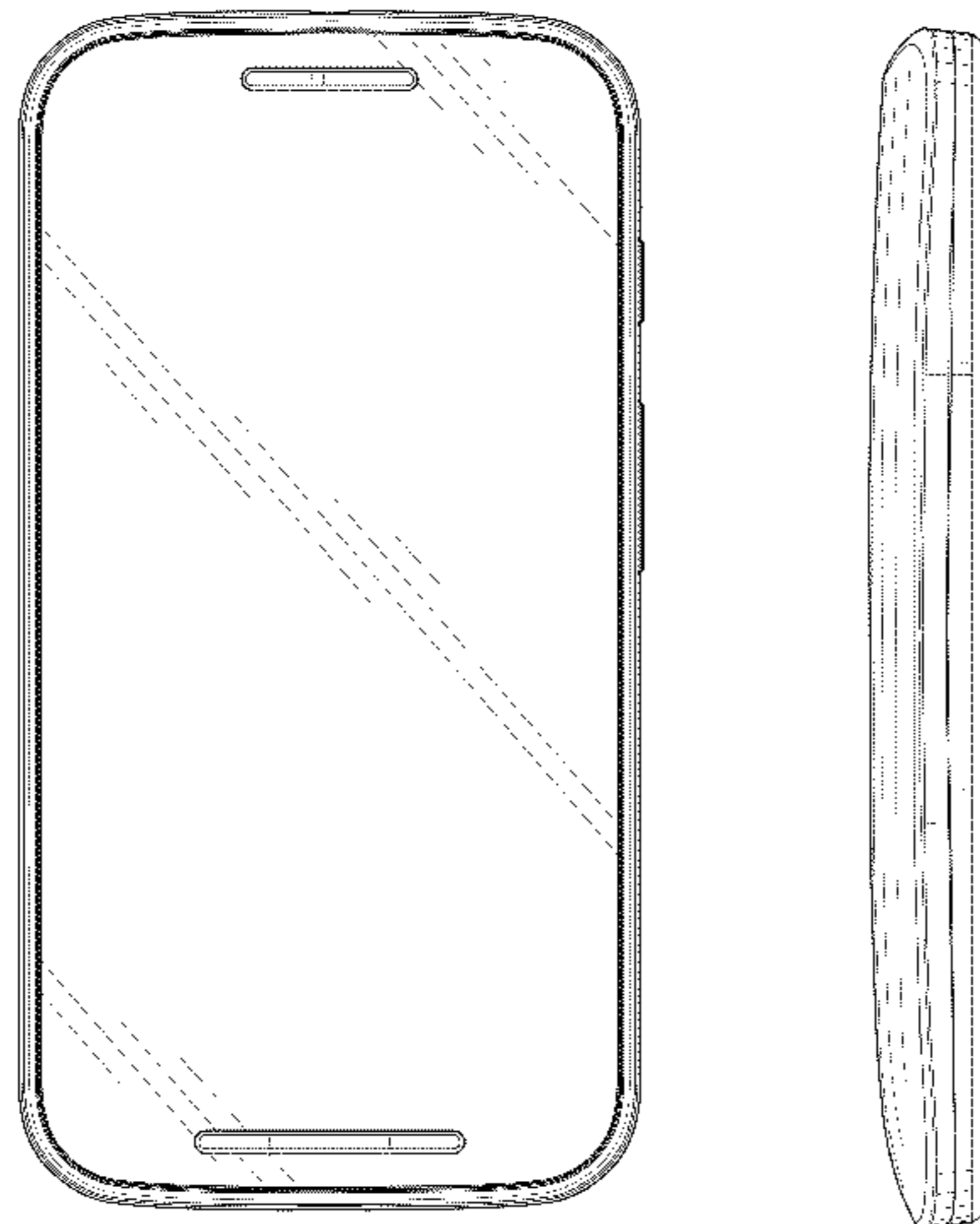
(57) **CLAIM**

The ornamental design for a communication device, as shown and described.

DESCRIPTION

FIG. 1 is a front perspective view of a first embodiment of an ornamental design for a communication device;
FIG. 2 is a rear perspective view of the first embodiment thereof;
FIG. 3 is a front view of the first embodiment thereof;
FIG. 4 is a rear view of the first embodiment thereof;
FIG. 5 is a first side view of the first embodiment thereof;
FIG. 6 is a second side view of the first embodiment thereof;
FIG. 7 is a top view of the first embodiment thereof; and
FIG. 8 is a bottom view of the first embodiment thereof.
FIG. 9 is a front perspective view of a second embodiment of an ornamental design for a communication device;
FIG. 10 is a rear perspective view of the second embodiment thereof;
FIG. 11 is a front view of the second embodiment thereof;
FIG. 12 is a rear view of the second embodiment thereof;
FIG. 13 is a first side view of the second embodiment thereof;
FIG. 14 is a second side view of the second embodiment thereof;
FIG. 15 is a top view of the second embodiment thereof; and
FIG. 16 is a bottom view of the second embodiment thereof.
The broken lines shown in FIGS. 1-8, that are immediately adjacent to the shaded areas, and define unshaded regions, represent the bounds of the first embodiment, while all other broken lines are directed to environment and are for illustrative purposes only; the broken lines form no part of the first embodiment.

1 Claim, 12 Drawing Sheets



(56)

References Cited

U.S. PATENT DOCUMENTS

D638,814 S * 5/2011 Sutherland et al. D14/138 G
D639,261 S 6/2011 Garnham et al.
D640,219 S 6/2011 Sutherland et al.
D640,663 S * 6/2011 Arnholt et al. D14/138 G
D653,231 S * 1/2012 Harenstam D14/138 AD
D654,887 S * 2/2012 McManigal et al. D14/138 G
D656,477 S * 3/2012 Yi et al. D14/138 G
D657,332 S 4/2012 Veiga et al.
D664,517 S 7/2012 Sutherland et al.
D675,181 S 1/2013 Morgenroth et al.
D676,400 S * 2/2013 Kitamura D14/138 G
D676,818 S 2/2013 Park et al.
D677,641 S 3/2013 Sutherland et al.
D680,992 S * 4/2013 Suk D14/138 G
D687,406 S 8/2013 Xia et al.
D694,211 S * 11/2013 Yuu et al. D14/138 G
D700,161 S * 2/2014 Yoshihara D14/138 G
8,675,363 B2 * 3/2014 Crooijmans et al. 361/704
D701,848 S * 4/2014 Im D14/138 G
D702,208 S * 4/2014 Shin et al. D14/138 G
8,753,151 B2 * 6/2014 Cheng et al. 439/668
D708,159 S * 7/2014 Kim D14/138 G
D710,342 S * 8/2014 Fujimura et al. D14/248
D710,813 S * 8/2014 Ichinose D14/138 G
D711,340 S * 8/2014 Kang D14/138 G
D712,861 S * 9/2014 Fujimura et al. D14/138 G
D712,863 S * 9/2014 Kang D14/138 G
D712,888 S * 9/2014 Fujimura et al. D14/248
D712,889 S * 9/2014 Fujimura et al. D14/248
D714,272 S * 9/2014 Park et al. D14/248
D715,278 S * 10/2014 Ou et al. D14/248
D720,321 S * 12/2014 Fu et al. D14/138 G
D721,668 S * 1/2015 Fujimura et al. D14/138 G
D723,492 S * 3/2015 Kim et al. D14/138 G
D723,493 S * 3/2015 Weng D14/138 G
D724,045 S * 3/2015 Fujimura et al. D14/138 G
D729,191 S * 5/2015 Chung et al. D14/138 G
D734,285 S * 7/2015 Park et al. D14/138 G
2014/0240911 A1 * 8/2014 Cole et al. 361/679.3

OTHER PUBLICATIONS

Motorola Moto G (2nd gen), released Sep. 2014, [online], [site visited Aug. 14, 2015]. Available from Internet, <URL: [http://www.gsmarena.com/motorola_moto_g_\(2nd_gen\)-6647.php](http://www.gsmarena.com/motorola_moto_g_(2nd_gen)-6647.php)>.*

Motorola Moto G (3rd gen), released Jul. 2015, [online], [site visited Aug. 14, 2015]. Available from Internet, <URL: [http://www.gsmarena.com/motorola_moto_g_\(3rd_gen\)-7247.php](http://www.gsmarena.com/motorola_moto_g_(3rd_gen)-7247.php)>.*
Motorola Moto E (2nd gen), released Feb. 2015, [online], [site visited Aug. 14, 2015]. Available from Internet, <URL: [http://www.gsmarena.com/motorola_moto_e_\(2nd_gen\)-6986.php](http://www.gsmarena.com/motorola_moto_e_(2nd_gen)-6986.php)>.*
Samsung Galaxy Grand I9082, released Jan. 2013, [online], [site visited Aug. 14, 2015]. Available from Internet, <URL: http://www.gsmarena.com/samsung_galaxy_grand_i9082-5163.php>.*
HTC Desire 700, released Jan. 2014, [online], [site visited Aug. 14, 2015]. Available from Internet, <URL: http://www.gsmarena.com/htc_desire_700-6552.php>.*
Ye Xu, et al. "Communication Device", U.S. Appl. No. 29/366,531, filed Jul. 27, 2010.
Cheol Woo Park, "Communication Device" U.S. Appl. No. 29/425,020, filed Jun. 19, 2012.
Ting-Bo Chen, et al. "Communication Device", U.S. Appl. No. 29/433,058, filed Sep. 15, 2012.
Wei Zhang, et al, "Communication Device", U.S. Appl. No. 29/405,613, filed Nov. 3, 2011.
Vincent Kenya Shyu, et al. "Communication Device", U.S. Appl. No. 29/422,009, filed Mar. 15, 2012.
Toshihiro Fujimura, et al "Communication Device", U.S. Appl. No. 29/435,268, filed Oct. 22, 2012.
Toshihiro Fujimura, et al "Communication Device", U.S. Appl. No. 29/441,082, filed Dec. 31, 2012.
Toshihiro Fujimura, et al "Communication Device", U.S. Appl. No. 29/441,083, filed Dec. 31, 2012.
Toshihiro Fujimura, et al "Communication Device", U.S. Appl. No. 29/441,085, filed Dec. 31, 2012.
Toshihiro Fujimura, et al "Communication Device", U.S. Appl. No. 29/441,086, filed Dec. 31, 2012.
Toshihiro Fujimura, et al "Elements for a Communication Device", U.S. Appl. No. 29/441,088, filed Dec. 31, 2012.
Toshihiro Fujimura, et al "Communication Device", U.S. Appl. No. 29/441,090, filed Dec. 31, 2012.
Katherine C. Morgenroth, et al, "Rear Housing for a Communication Device", U.S. Appl. No. 29/462,335, filed Aug. 1, 2013.
Sang Soo Park, et al, "Communication Device", U.S. Appl. No. 29/468,533, filed Oct. 1, 2013.
Sang Soo Park, et al., "Rear Door for a Communication Device", U.S. Appl. No. 29/468,579, filed Oct. 1, 2013.
Xinrui Jiang, et al, "Flip Cover Door for a Communication Device", U.S. Appl. No. 29/470,464, filed Oct. 22, 2013.
Mark D. Finney, et al., "Communication Device", U.S. Appl. No. 29/478,446, filed Jan. 6, 2014.

* cited by examiner

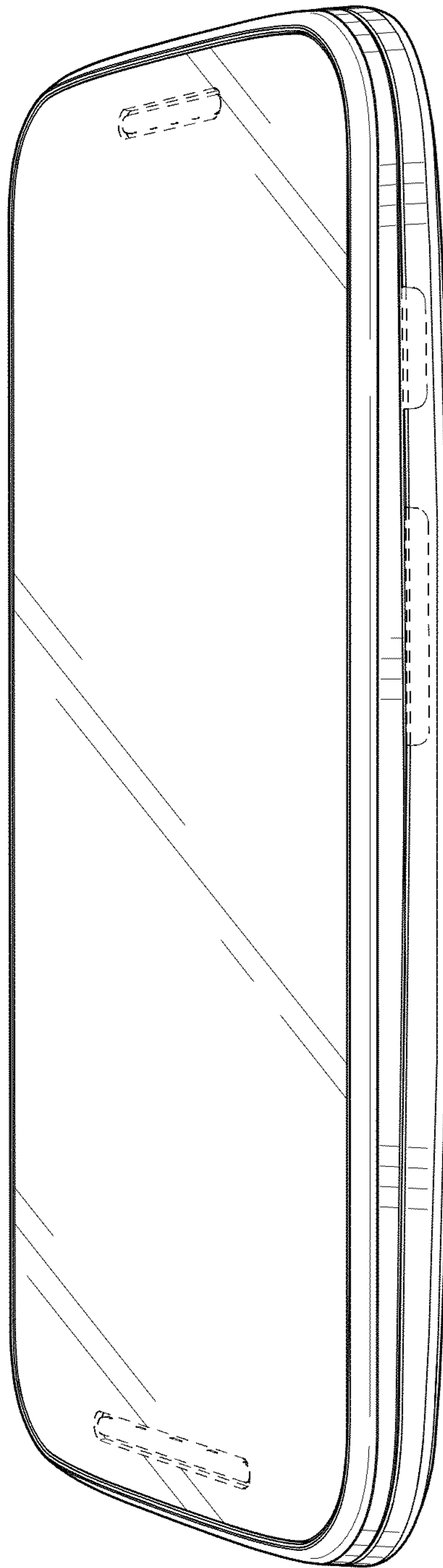


FIG. 1

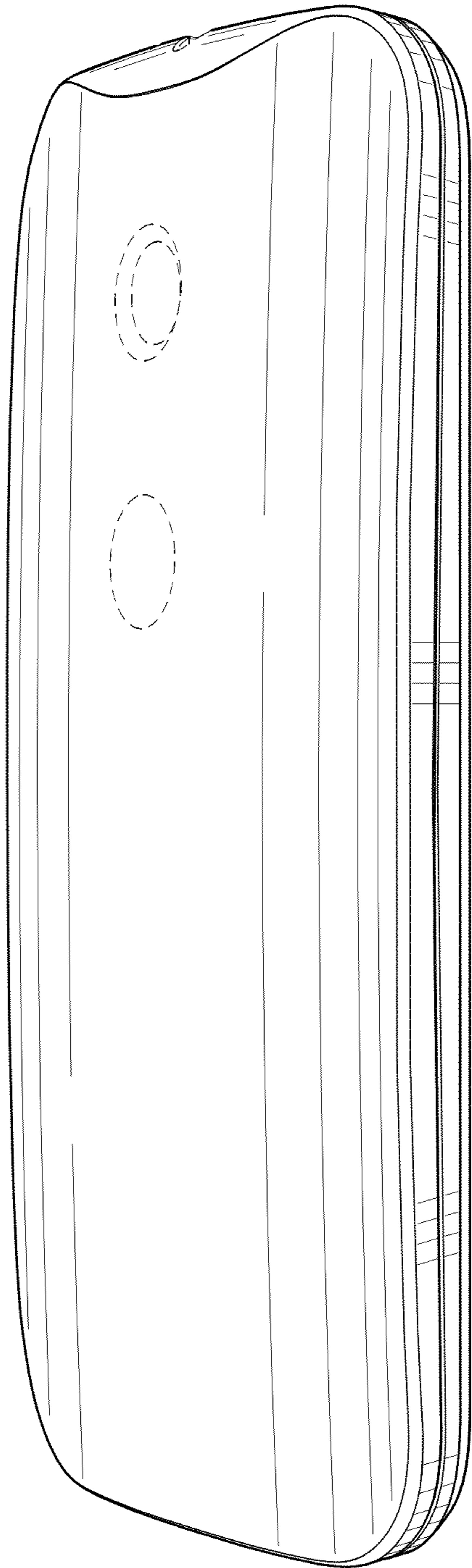


FIG. 2

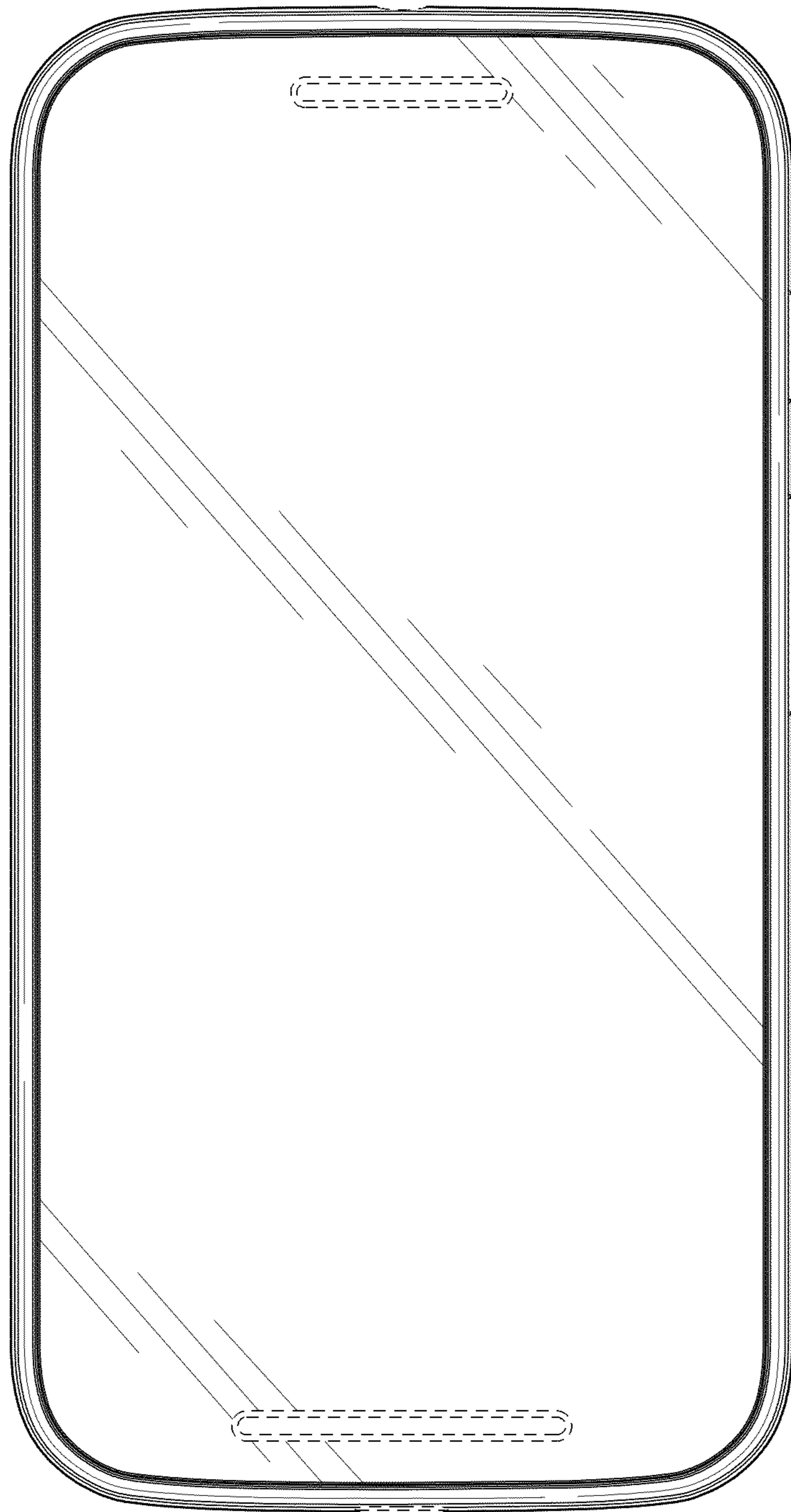


FIG. 3

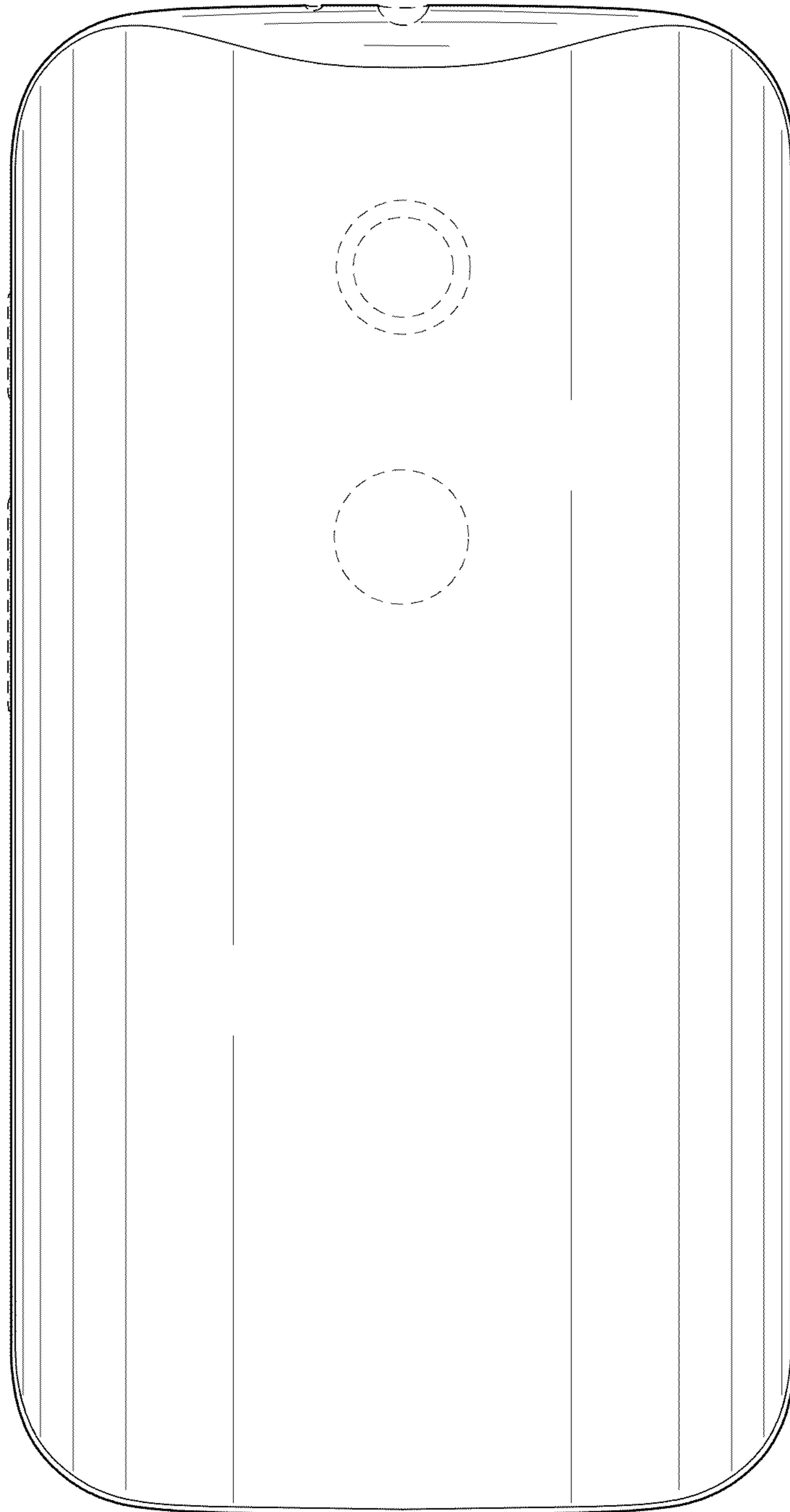


FIG. 4

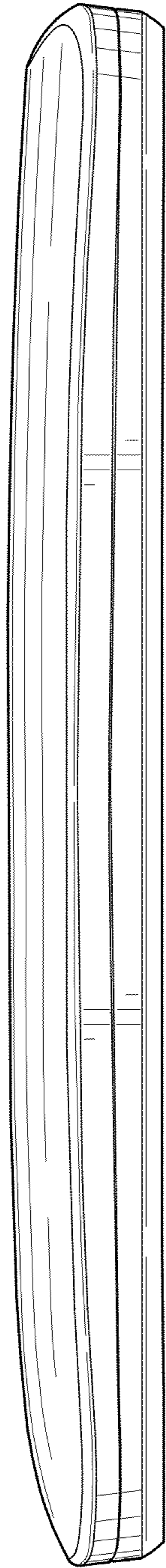


FIG. 5

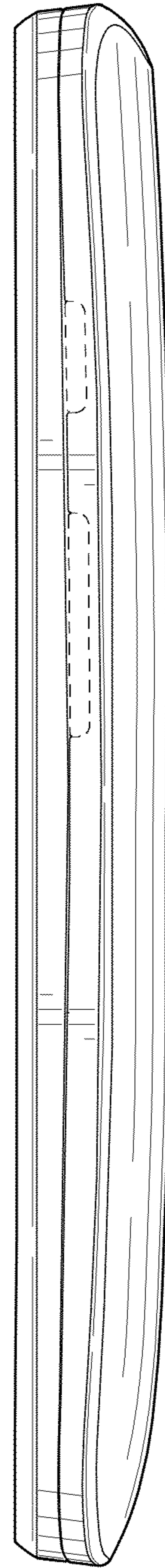


FIG. 6

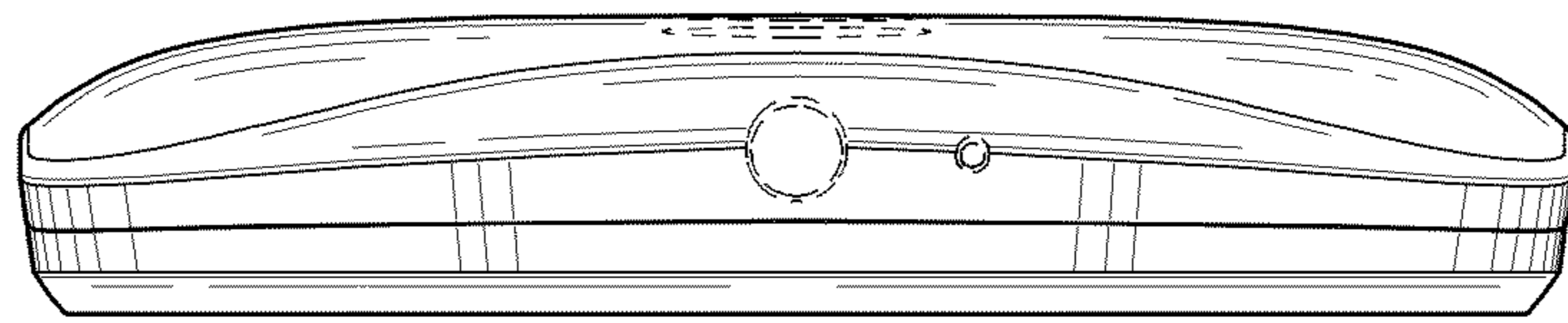


FIG. 7

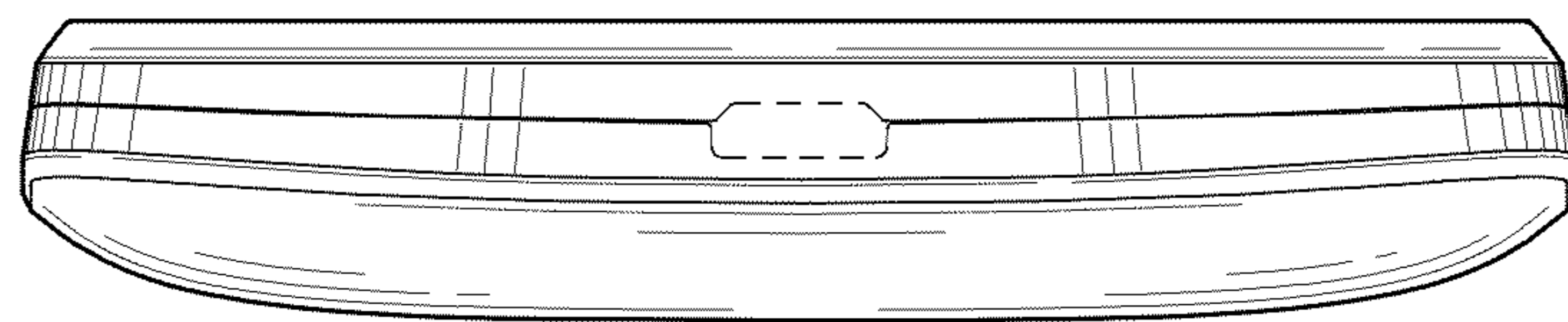


FIG. 8

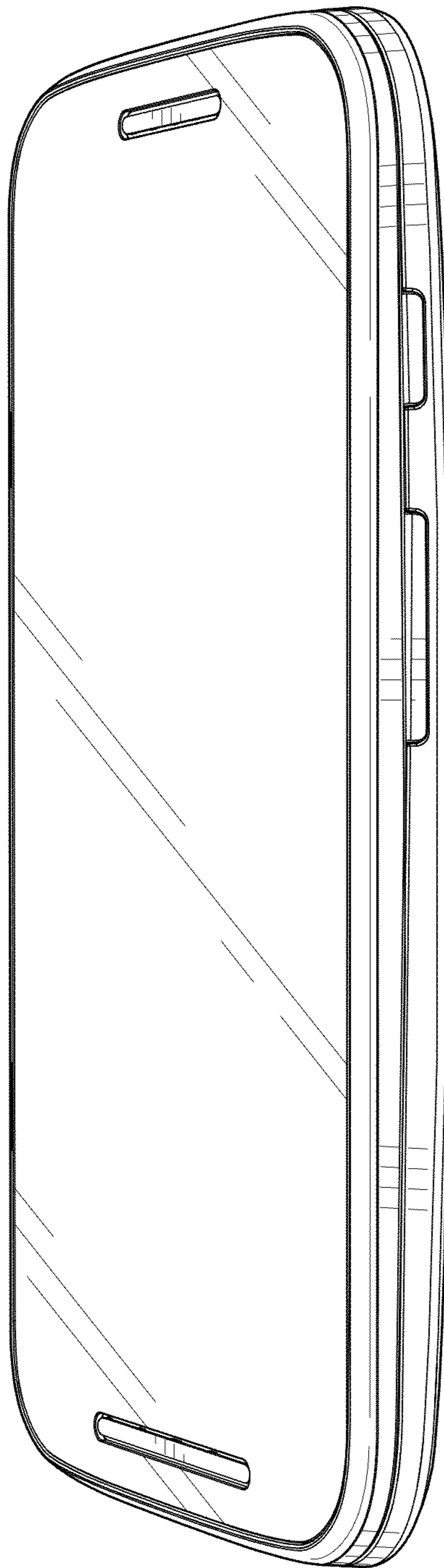


FIG. 9

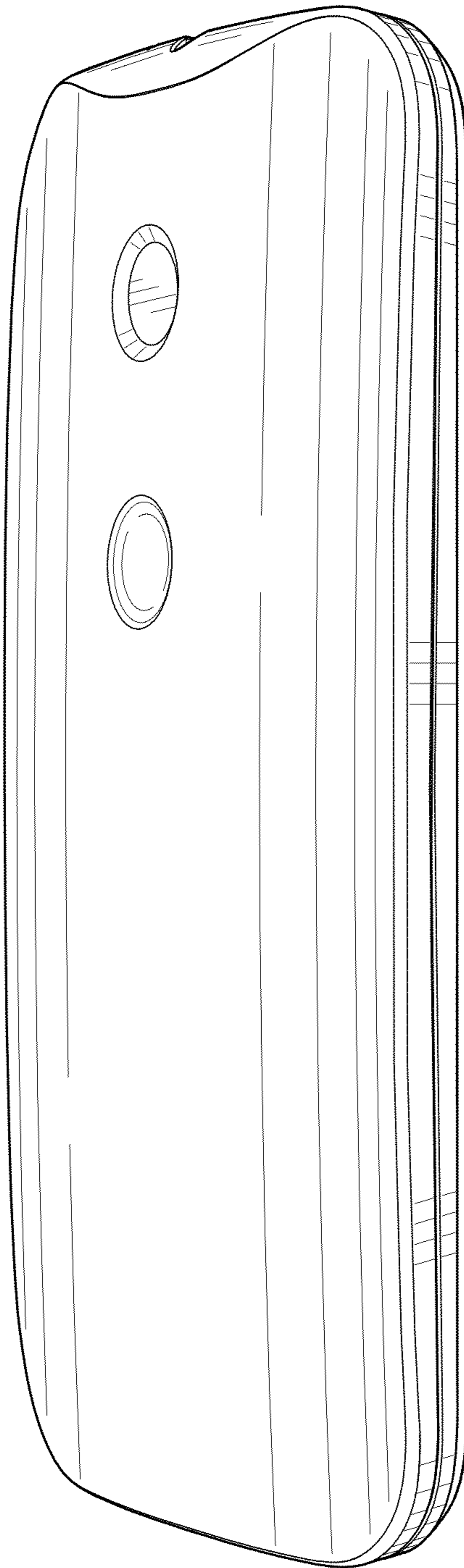


FIG. 10

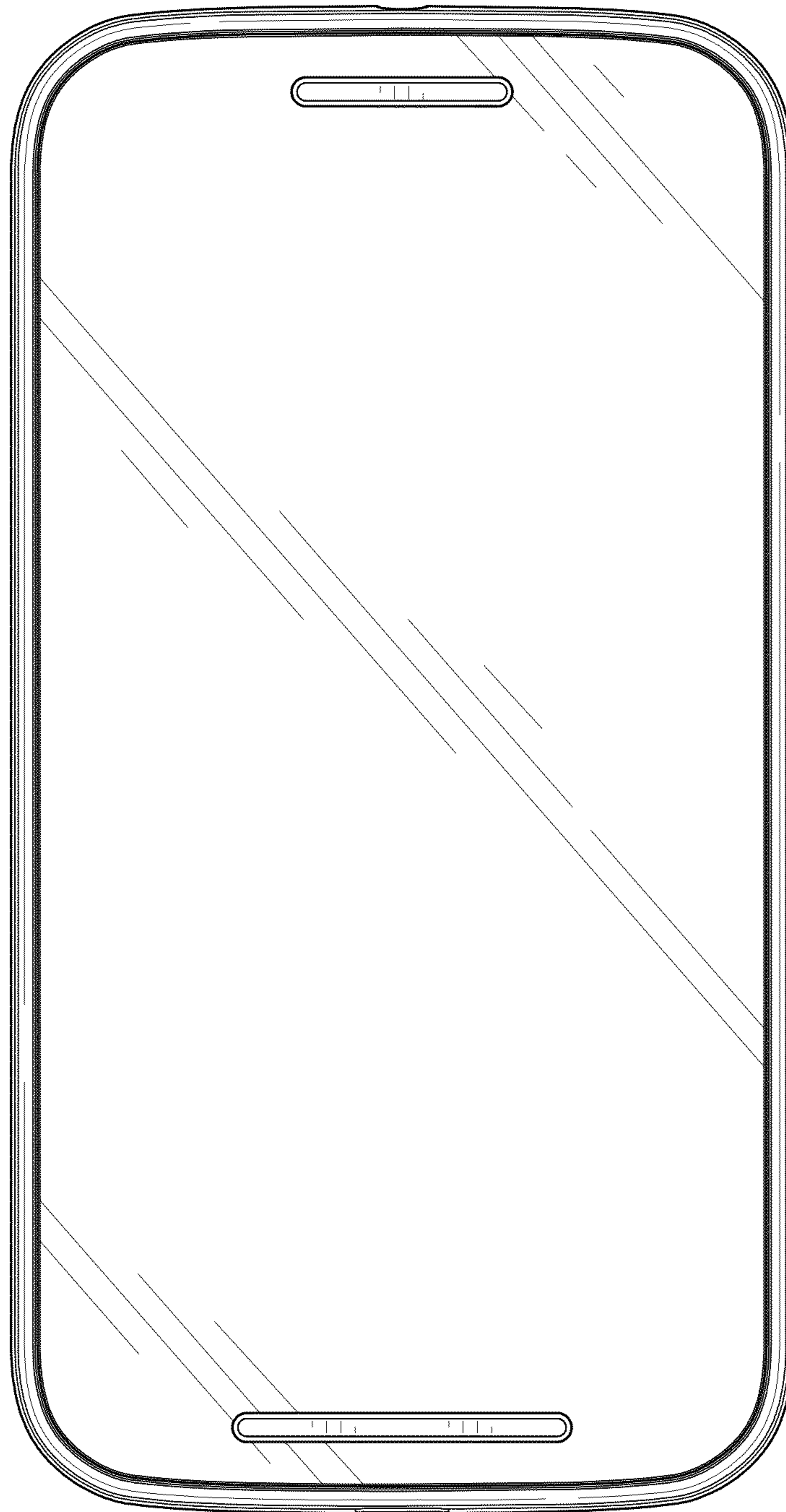


FIG. 11

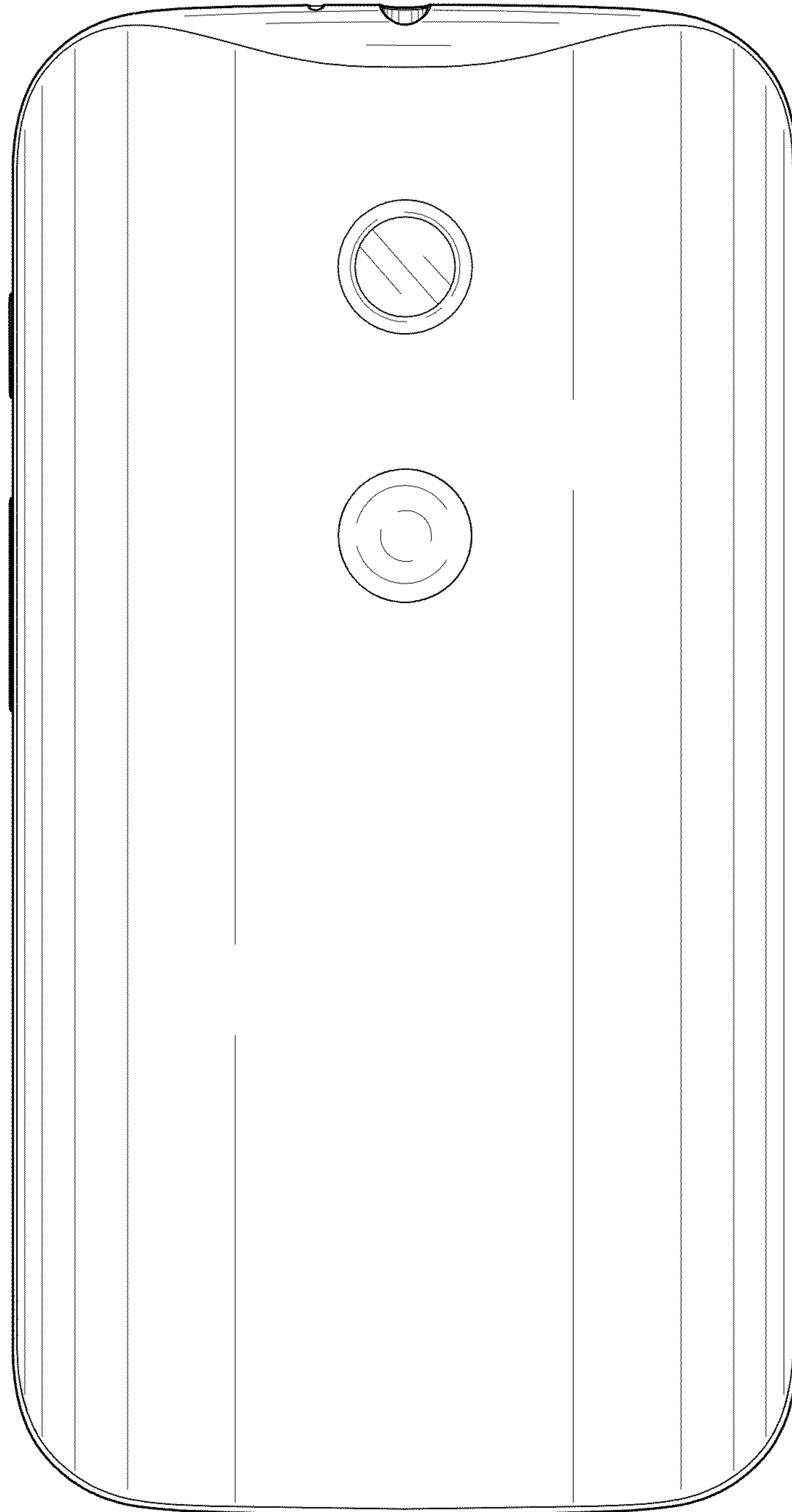


FIG. 12

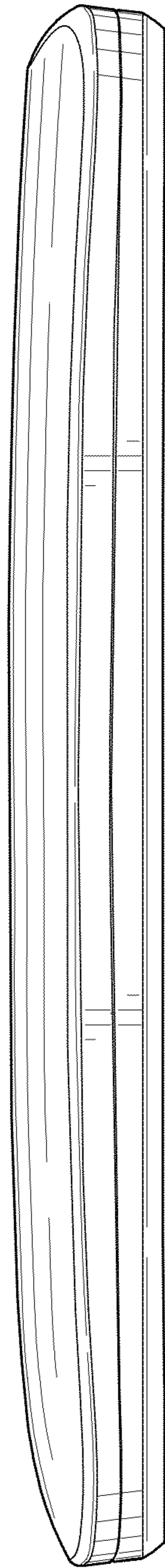


FIG. 13

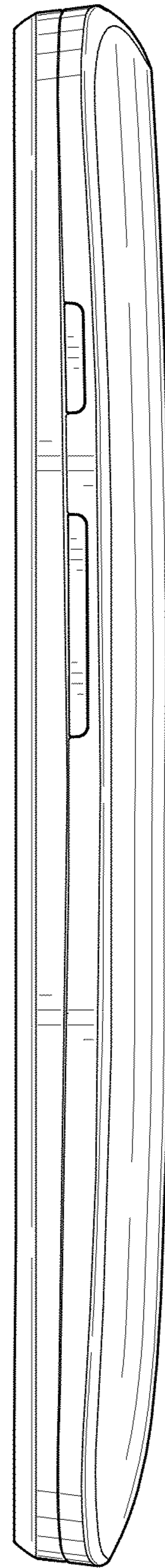


FIG. 14

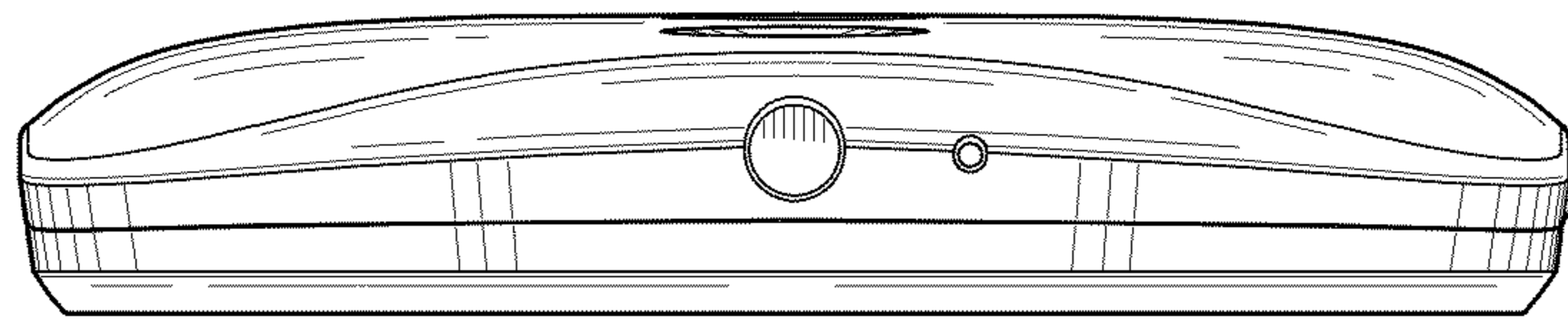


FIG. 15

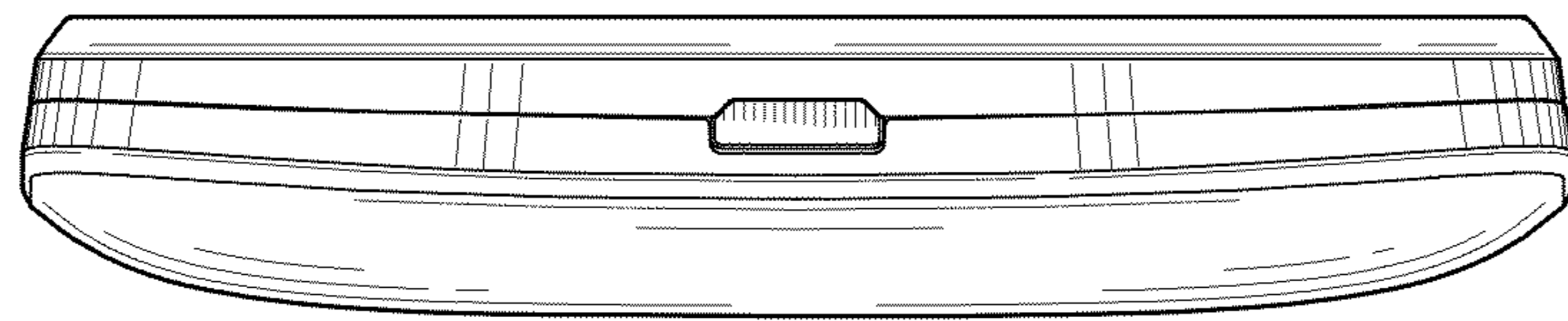


FIG. 16