



US00D746240S

(12) **United States Design Patent**
Bergmann et al.

(10) **Patent No.:** **US D746,240 S**

(45) **Date of Patent:** **** Dec. 29, 2015**

(54) **LED PACKAGE**

(71) Applicant: **Cree, Inc.**, Durham, NC (US)

(72) Inventors: **Michael Bergmann**, Raleigh, NC (US);
Joseph G Clark, Raleigh, NC (US);
Jesse Colin Reiherzer, Wake Forest, NC (US);
Jeremy Scott Nevins, Cary, NC (US)

(73) Assignee: **Cree, Inc.**, Durham, NC (US)

(**) Term: **14 Years**

(21) Appl. No.: **29/478,014**

(22) Filed: **Dec. 30, 2013**

(51) **LOC (10) Cl.** **13-03**

(52) **U.S. Cl.**
USPC **D13/180**

(58) **Field of Classification Search**
USPC D13/180; D26/1; 257/79, 80, 81, 88,
257/89, 95, 98, 99, 100, E33.058; 313/483,
313/498, 500; 362/555, 800
CPC ... H01L 25/167; H01L 25/0753; H01L 33/00;
H01L 33/04; H01L 33/08; H01L 33/10;
H01L 33/20; H01L 33/38; H01L 33/42;
H01L 33/483; H01L 33/4864
See application file for complete search history.

(56) **References Cited**

U.S. PATENT DOCUMENTS

D572,670 S 7/2008 Ono et al.
D615,504 S * 5/2010 Keller et al. D13/180
D631,020 S * 1/2011 Chuang et al. D13/180
D645,416 S * 9/2011 Kuwaharada et al. D13/180
D649,943 S * 12/2011 Kuwaharada et al. D13/180
D650,343 S * 12/2011 Andrews et al. D13/180

(Continued)

FOREIGN PATENT DOCUMENTS

TW D123860 8/2008
TW D144345 12/2011

OTHER PUBLICATIONS

Certificate of Registration for European Design Application No. 002491118-0001 dated Jun. 26, 2014.

(Continued)

Primary Examiner — Selina Sikder

(74) *Attorney, Agent, or Firm* — Jenkins, Wilson, Taylor & Hunt, P.A.

(57) **CLAIM**

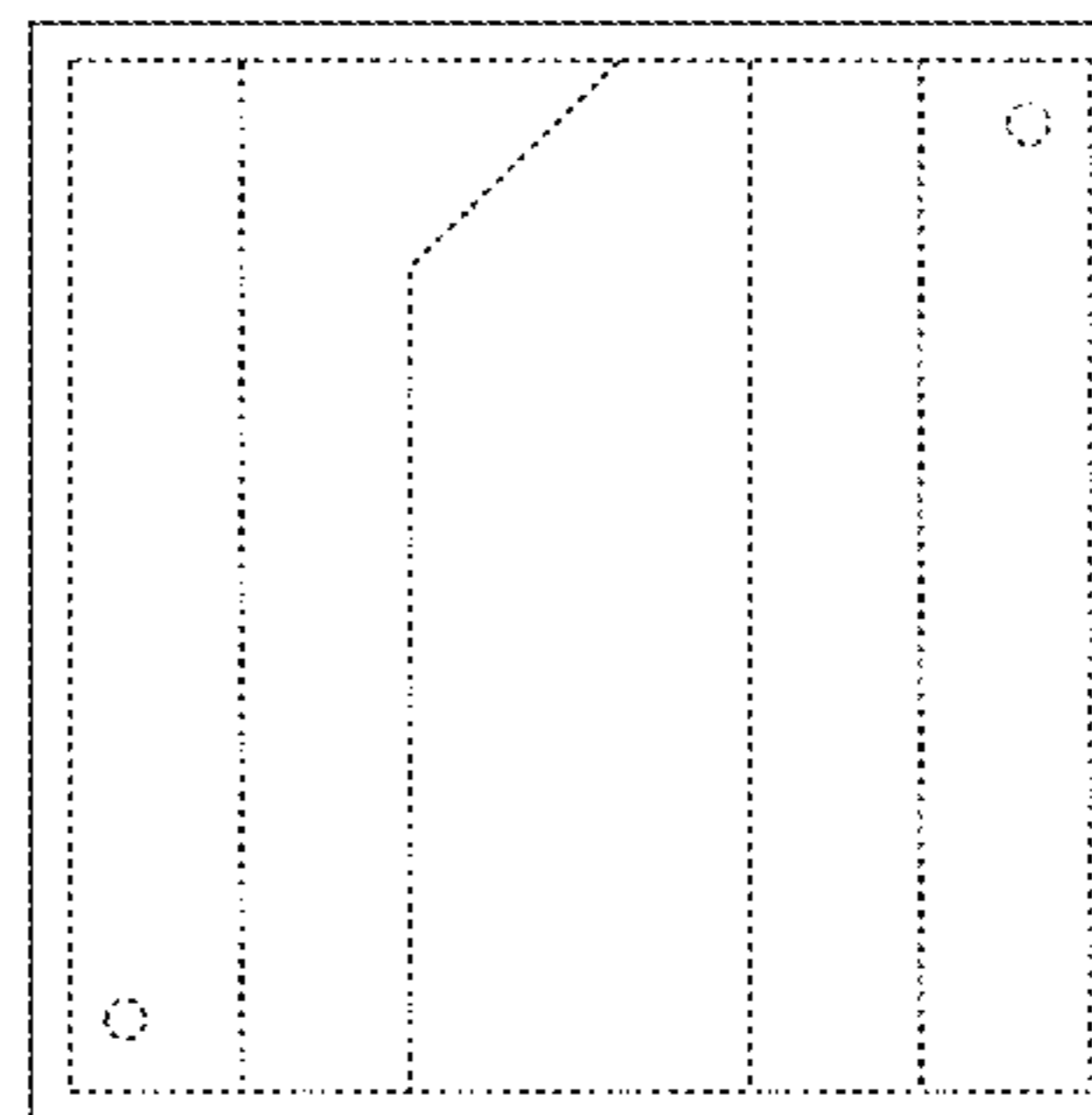
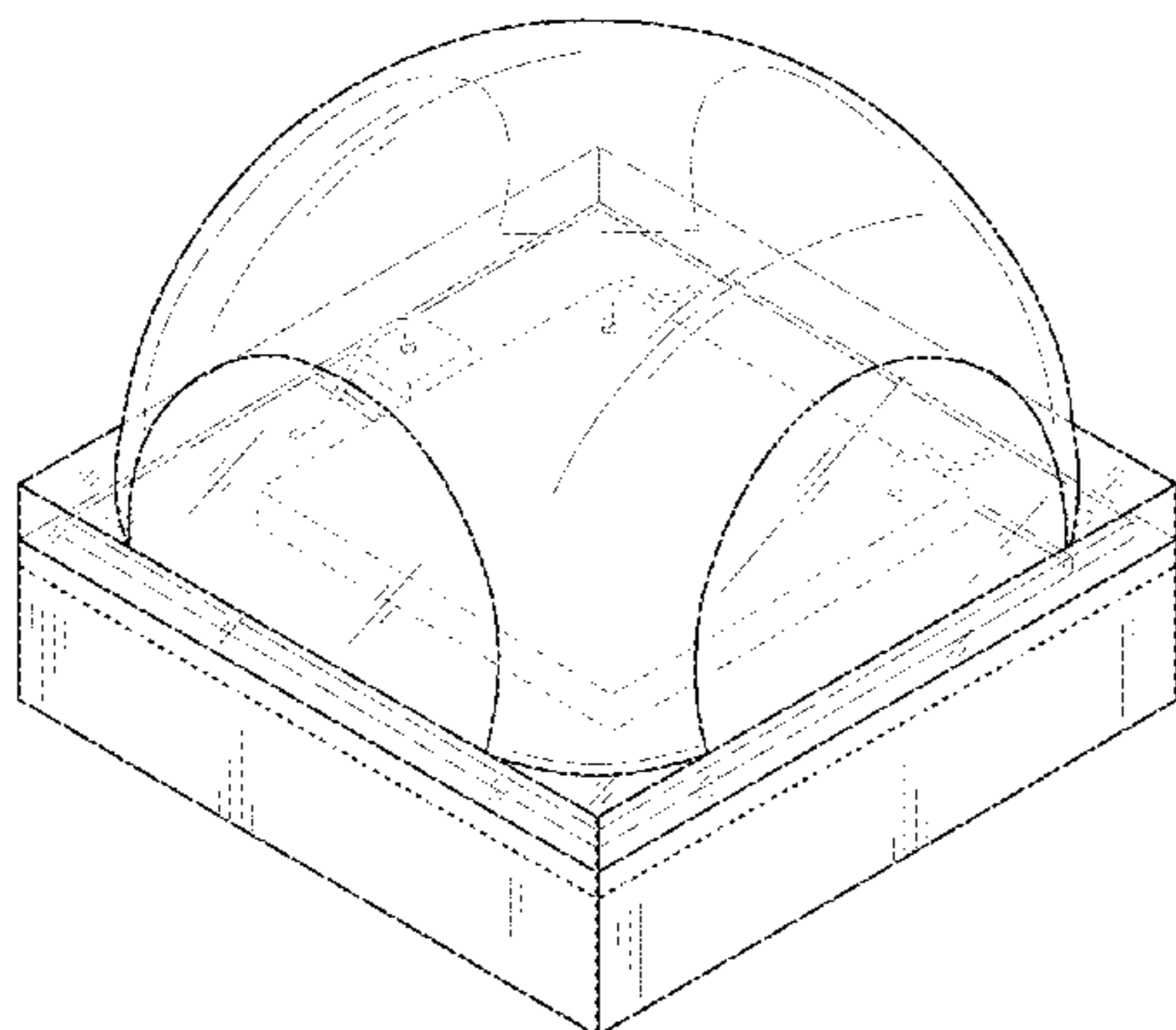
The ornamental design for a LED package, as shown and described.

DESCRIPTION

FIG. 1 is a top perspective view of an LED package showing our design according to a first embodiment;
FIG. 2 is a top plan view thereof;
FIG. 3 is a bottom plan view thereof;
FIG. 4 is a first side view thereof;
FIG. 5 is a second side view thereof, opposite the view of FIG. 4;
FIG. 6 is a third side view thereof;
FIG. 7 is a fourth side view thereof, opposite the view of FIG. 6;
FIG. 8 is a top perspective view of an LED package showing our design according to a second embodiment;
FIG. 9 is a top plan view thereof;
FIG. 10 is a bottom plan view thereof;
FIG. 11 is a first side view thereof;
FIG. 12 is a second side view thereof, opposite the view of FIG. 11;
FIG. 13 is a third side view thereof; and,
FIG. 14 is a fourth side view thereof, opposite the view of FIG. 13.

The dashed broken lines are included for the purpose of illustrating environment of the design and form no part of the claimed design. None of the broken lines form part of the claimed design.

1 Claim, 8 Drawing Sheets



(56)

References Cited

U.S. PATENT DOCUMENTS

D660,257	S *	5/2012	Andrews et al.	D13/180
D667,802	S *	9/2012	Otaki et al.	D13/180
D674,758	S *	1/2013	Wu et al.	D13/180
D675,169	S *	1/2013	Chou	D13/180
D691,973	S *	10/2013	Donofrio et al.	D13/180
D698,323	S *	1/2014	Noichi	D13/180
8,624,289	B2 *	1/2014	Wirth	257/100
D698,741	S *	2/2014	Kobayashi et al.	D13/180
D703,348	S *	4/2014	Reiherzer et al.	D26/2
D704,154	S *	5/2014	Andrews et al.	D13/180
D709,464	S *	7/2014	Abare et al.	D13/180
D711,840	S *	8/2014	Lowes et al.	D13/180
D718,725	S *	12/2014	Reiherzer et al.	D13/180
2004/0227149	A1 *	11/2004	Ibbetson et al.	257/100
2009/0108281	A1 *	4/2009	Keller et al.	257/98
2012/0032202	A1 *	2/2012	Ogata et al.	257/88
2013/0328073	A1 *	12/2013	Lowes et al.	257/89
2013/0328074	A1 *	12/2013	Lowes et al.	257/89

OTHER PUBLICATIONS

Certificate of Registration for European Design Application No. 002491118-0002 dated Jun. 26, 2014.

Certificate of Registration for European Design Application No. 002491118-0003 dated Jun. 26, 2014.

Chinese Notice of Allowance for Application No. 2014/30213821.4 dated Oct. 23, 2014.

Taiwanese Office Action for Application No. 103303821 dated Feb. 4, 2015.

Taiwanese Search Report for Application No. 103303821 dated Jan. 26, 2015.

Japanese Office Action for Application No. 2014-014321 dated Mar. 10, 2015.

Taiwanese Notice of Allowance for Application No. 103303821 dated Jun. 4, 2015.

Response to Taiwanese Office Action for Application No. 103303821.

* cited by examiner

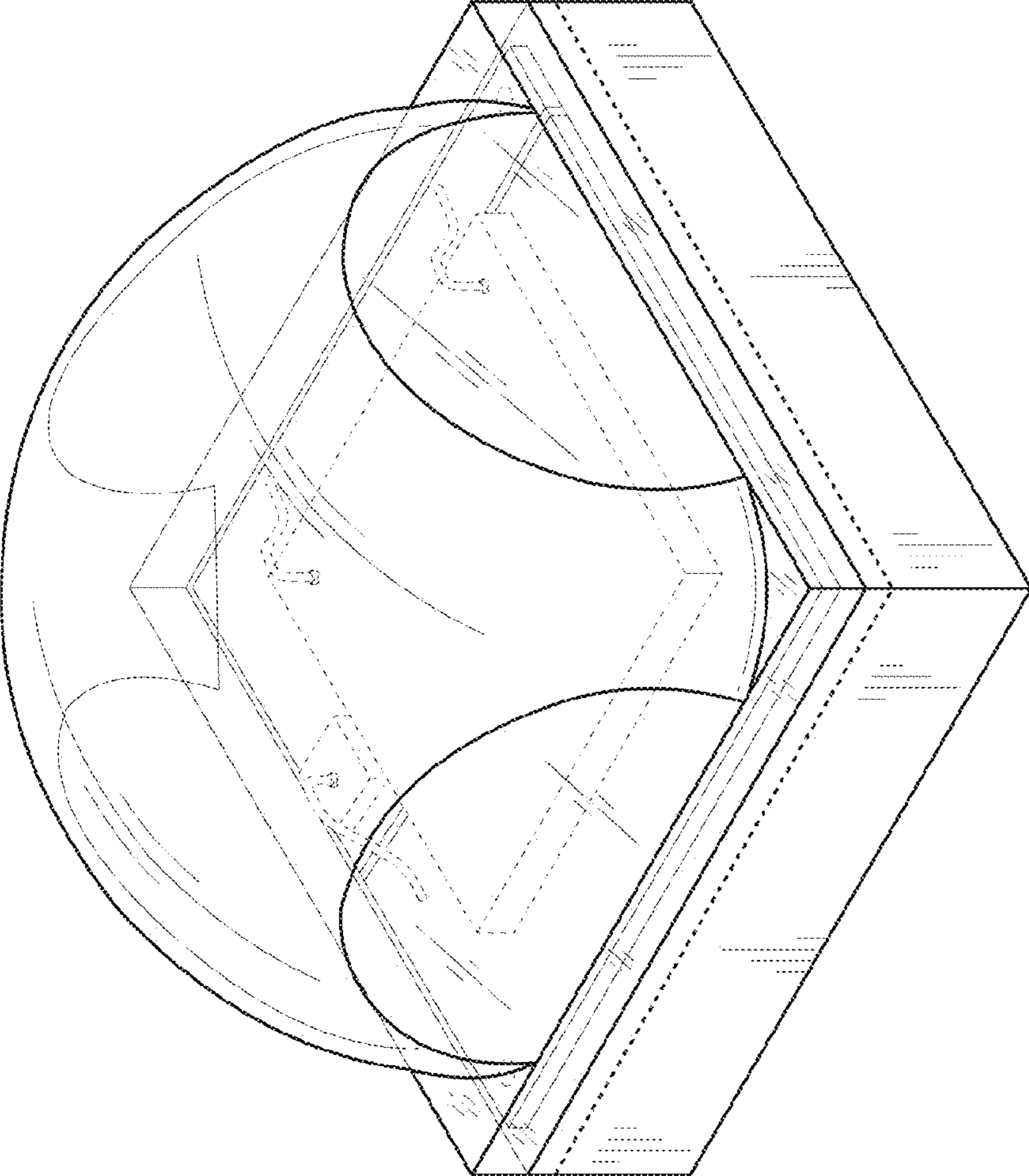


FIG. 1

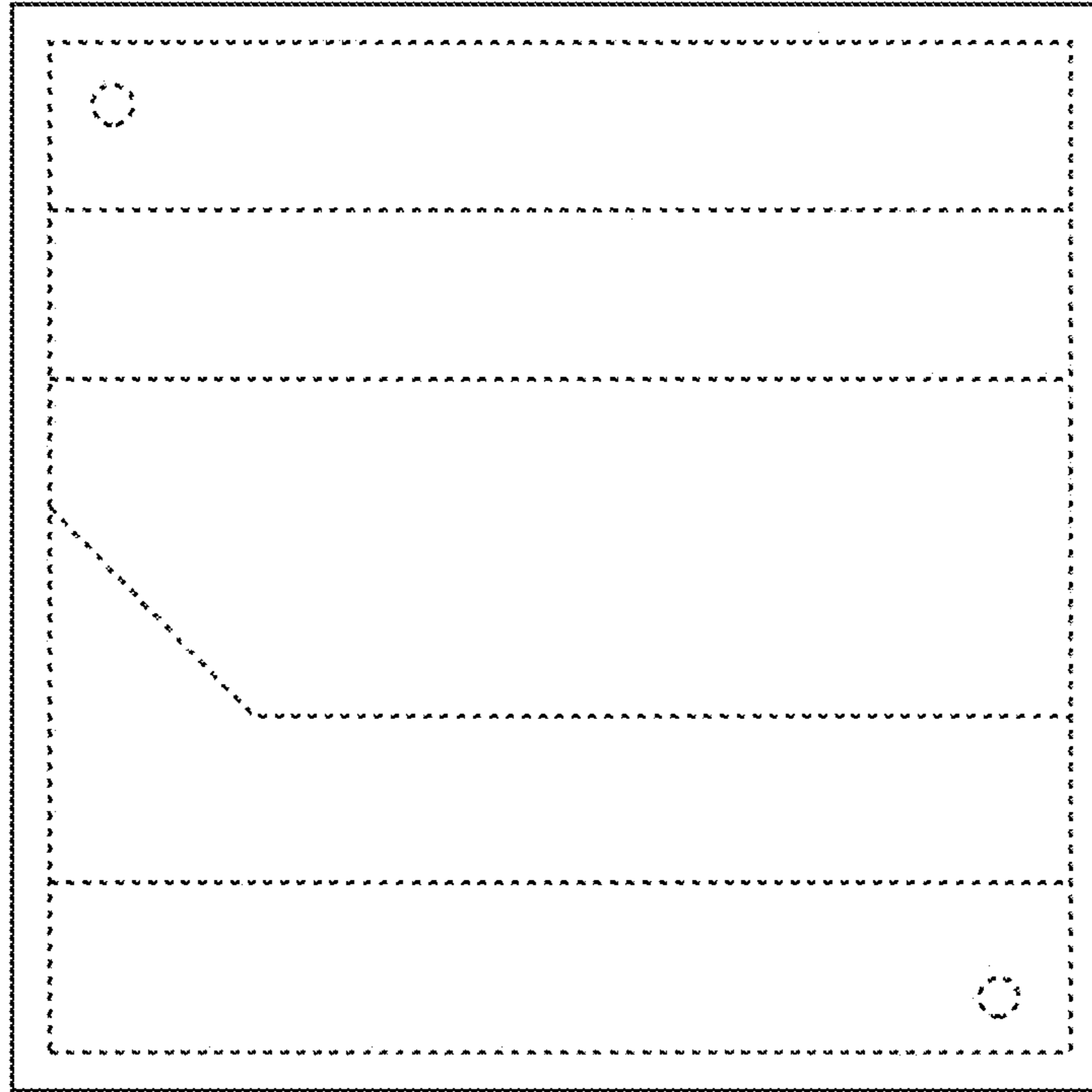


FIG. 3

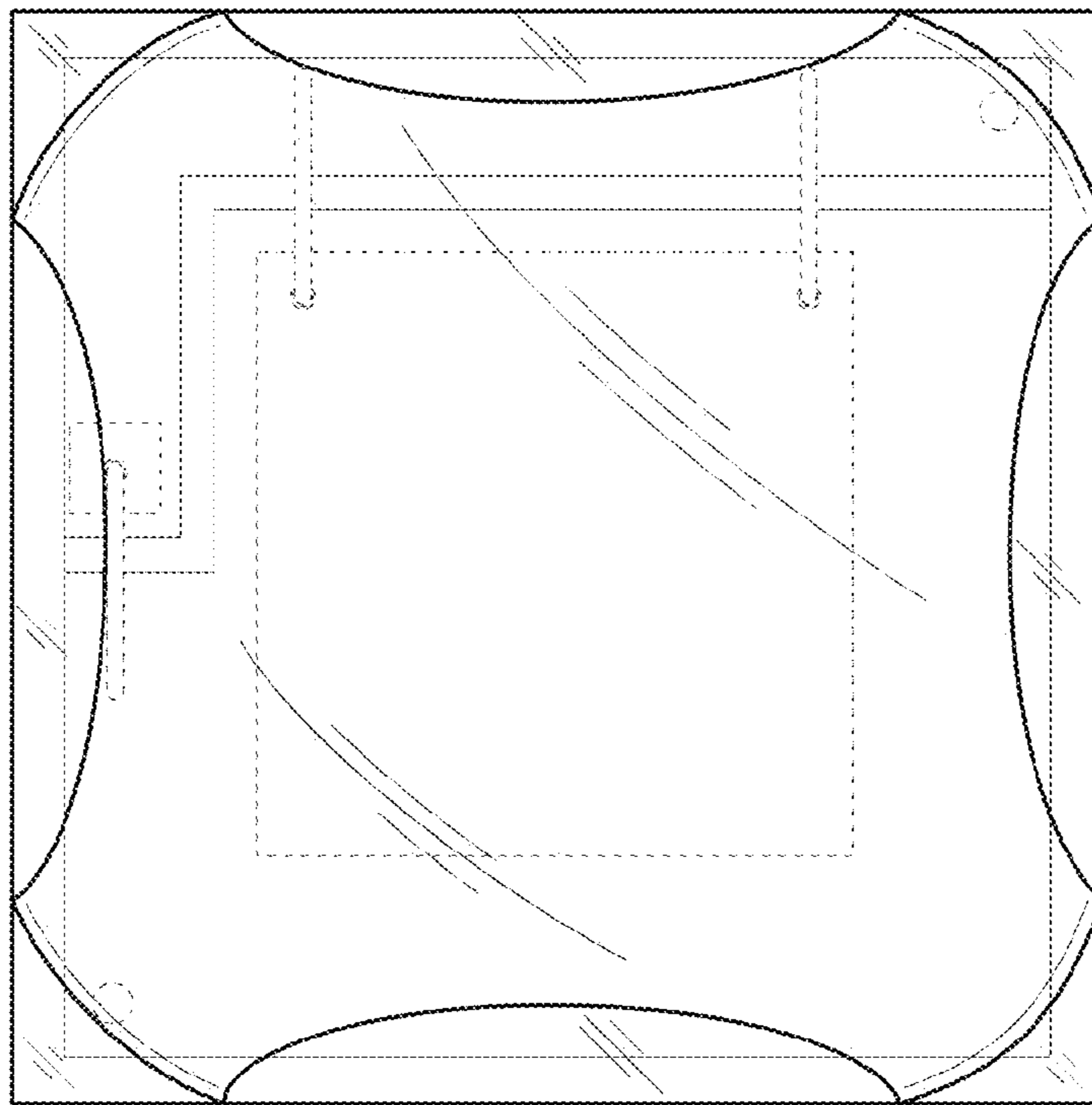


FIG. 2

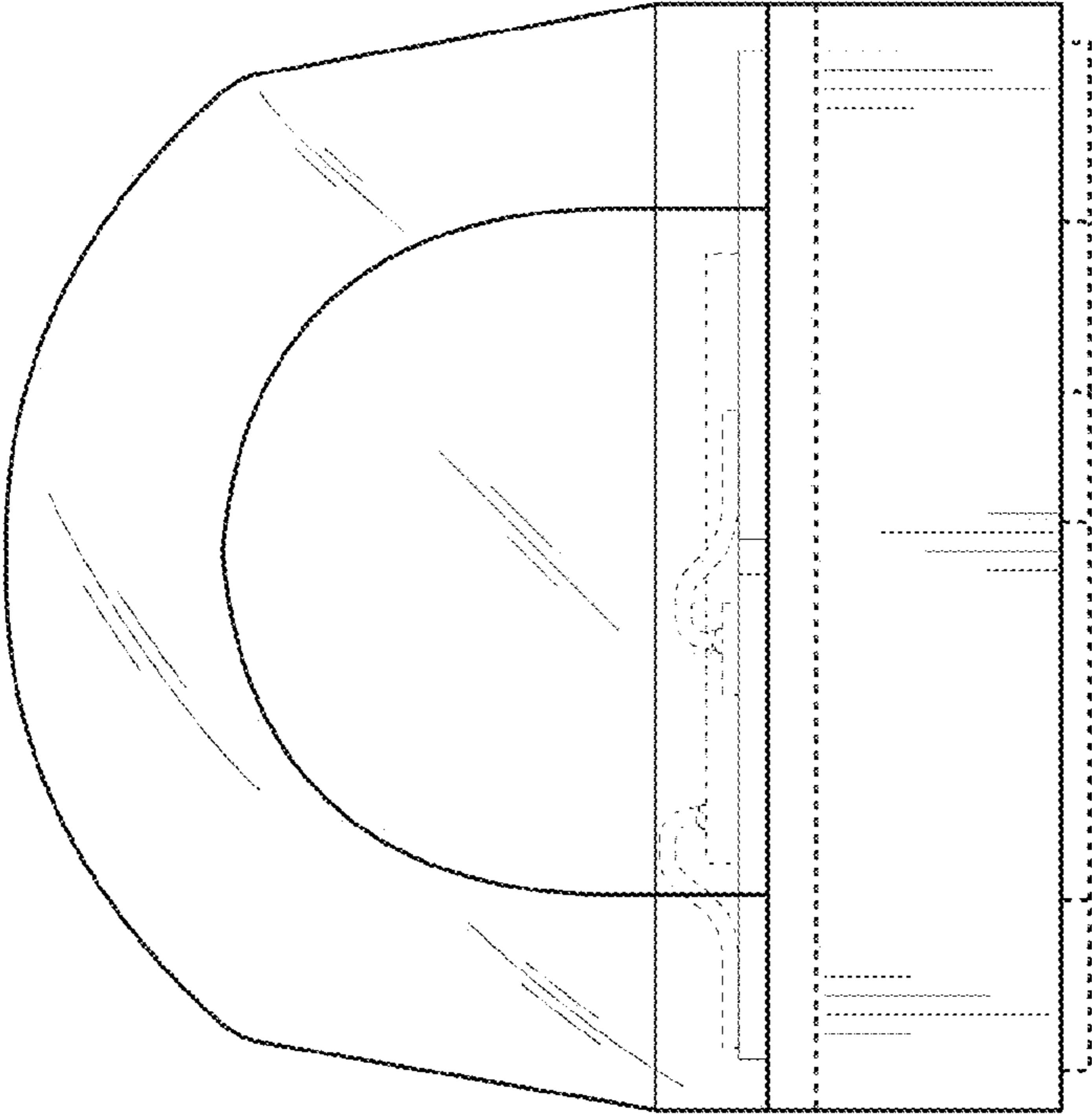


FIG. 4

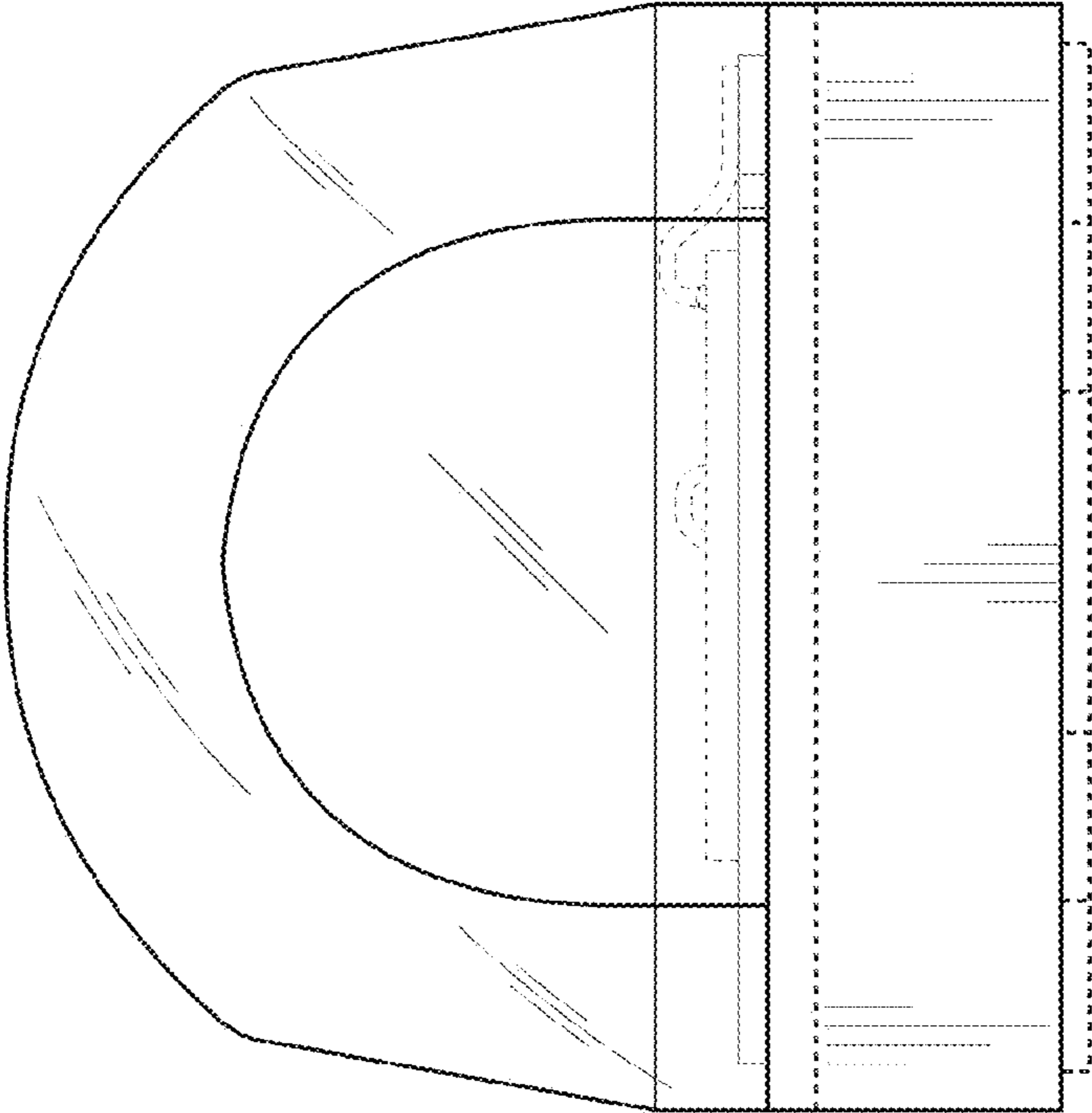


FIG. 5

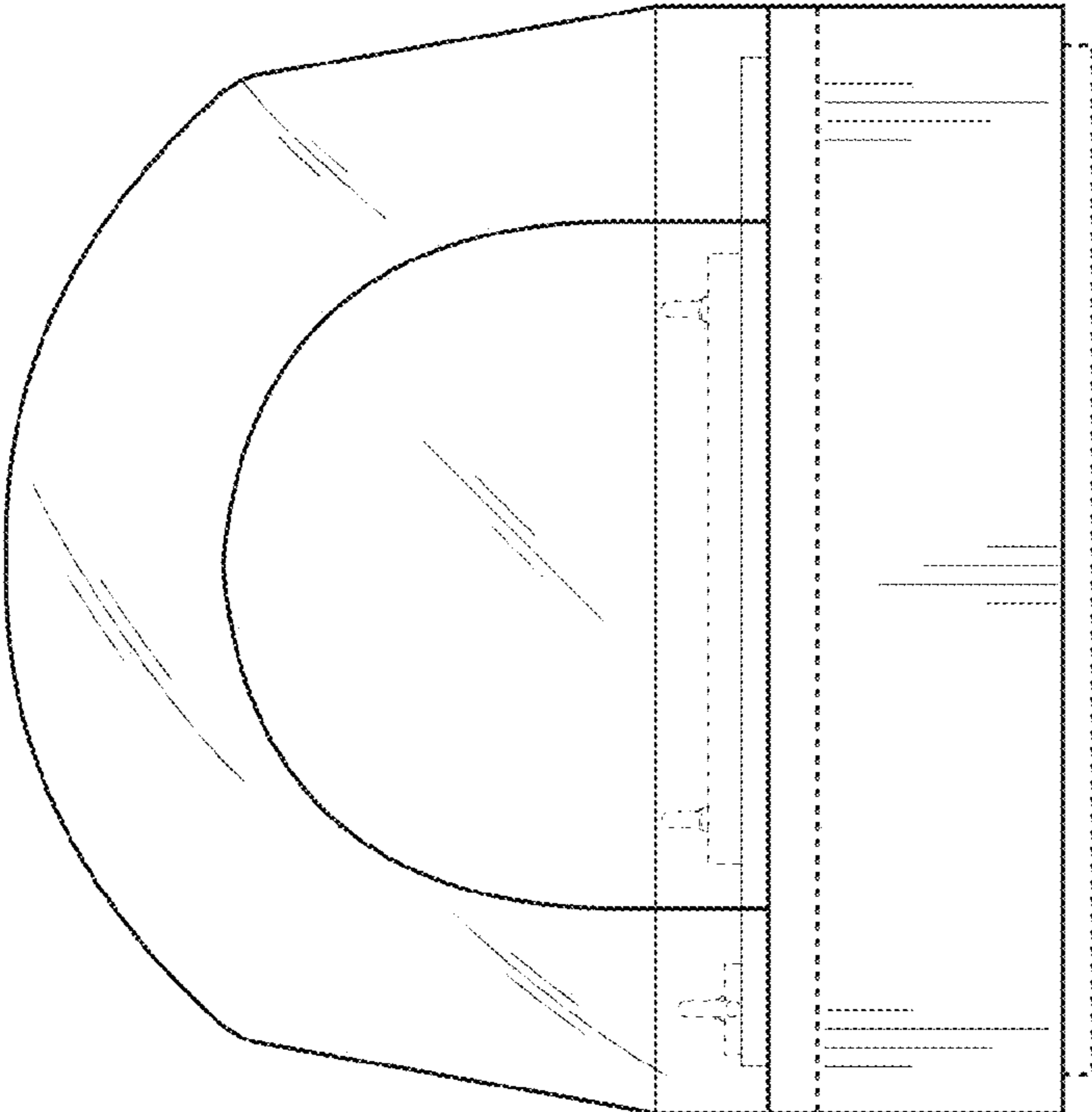


FIG. 6

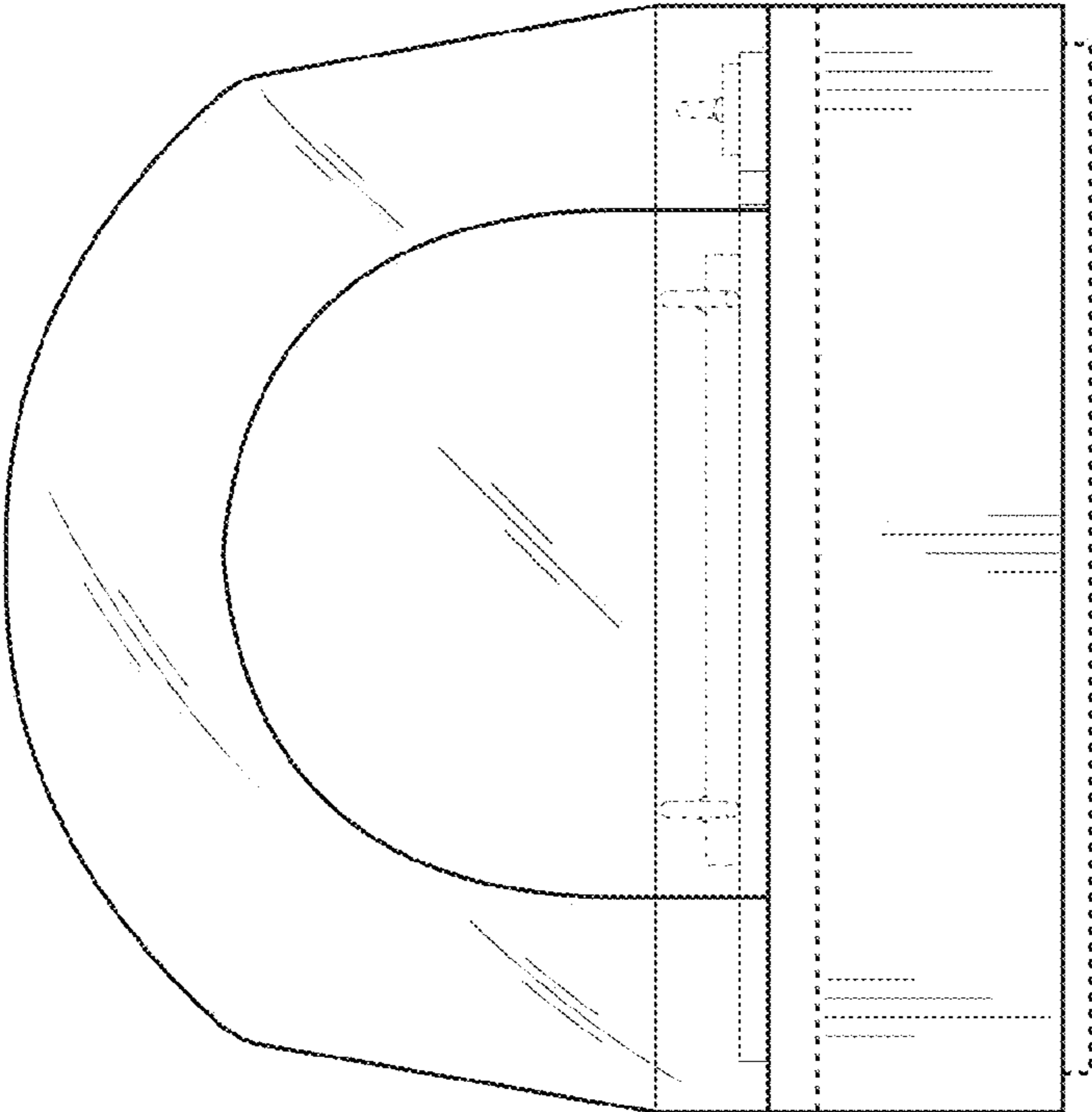


FIG. 7

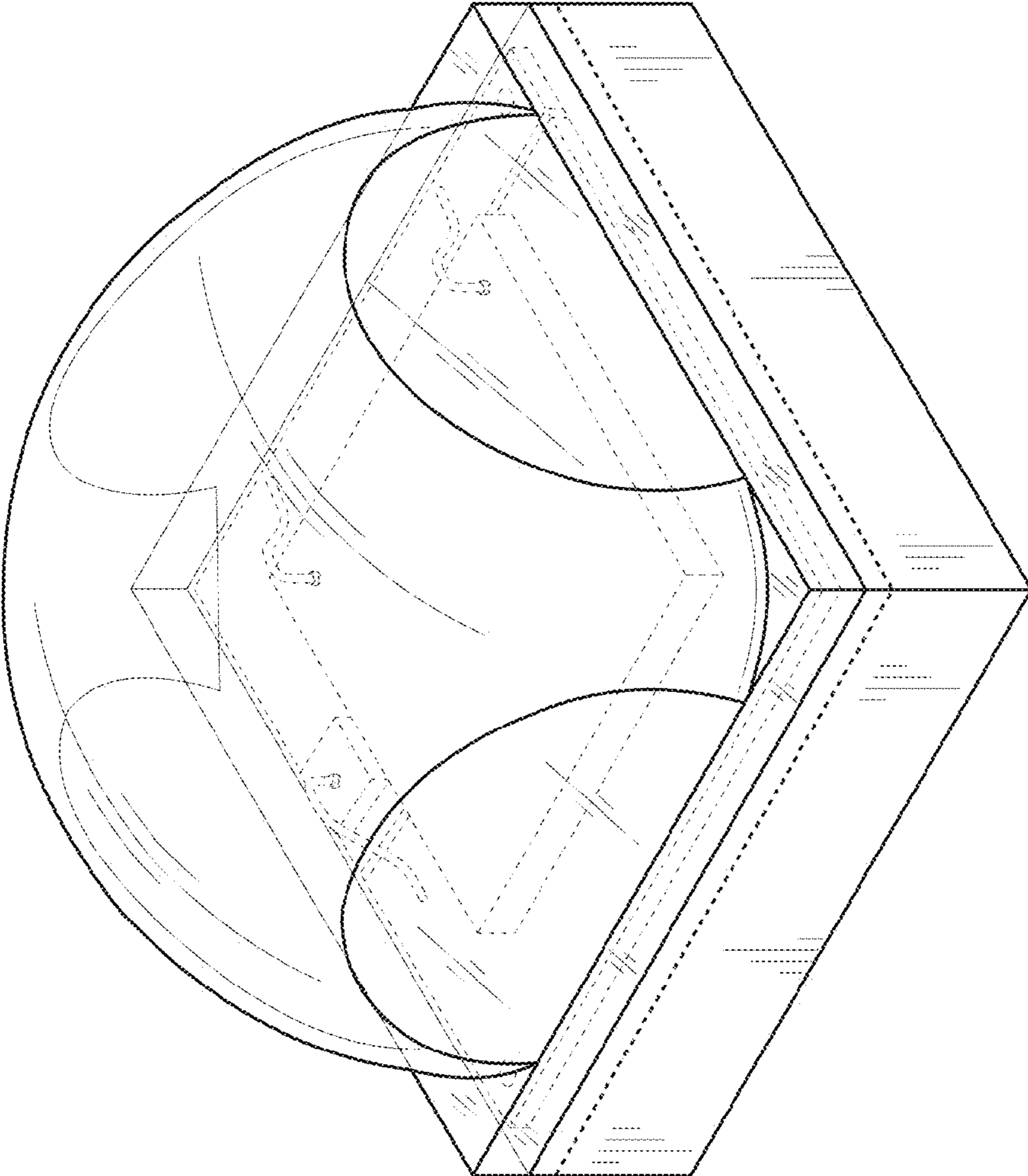


FIG. 8

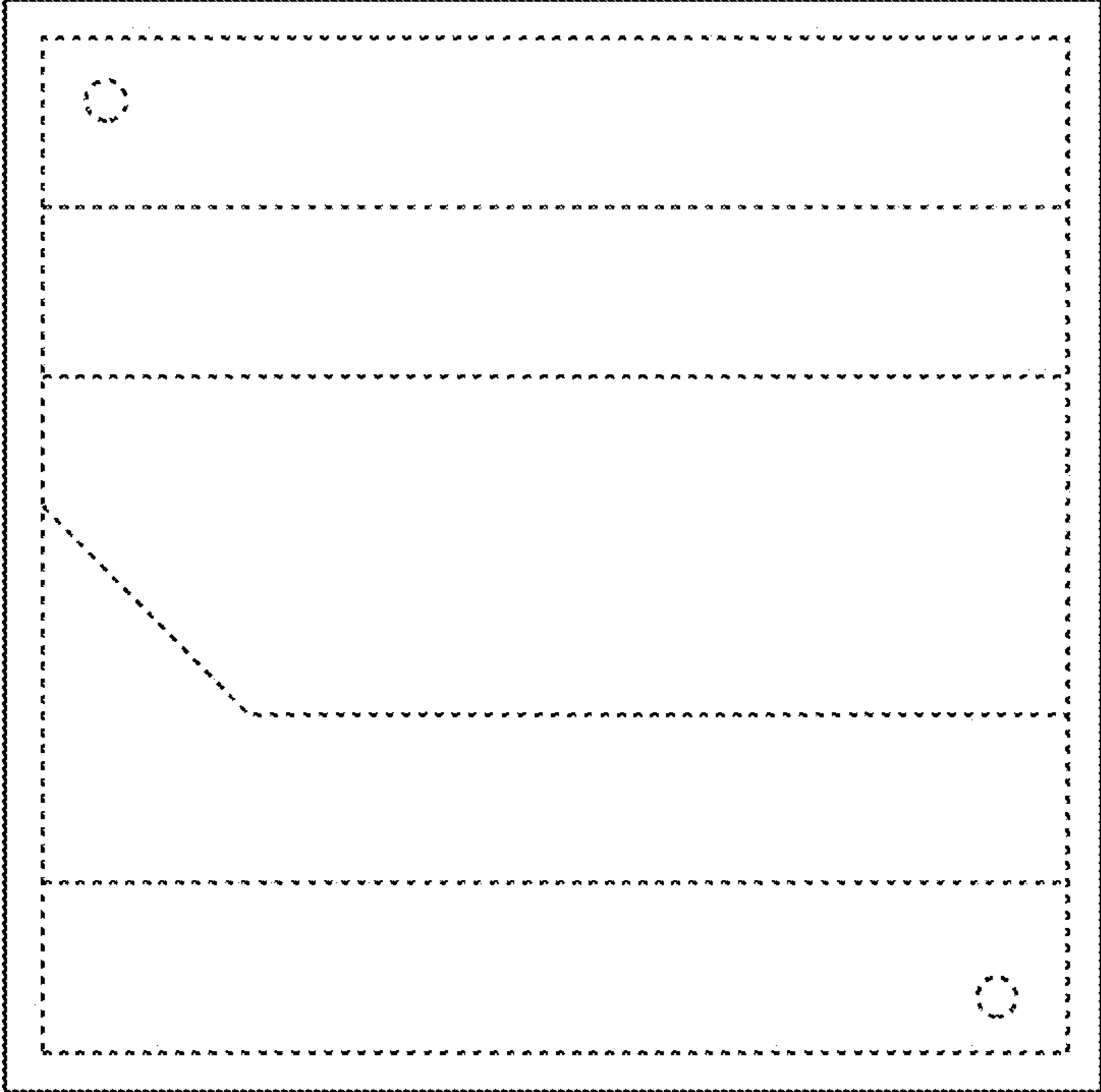


FIG. 9

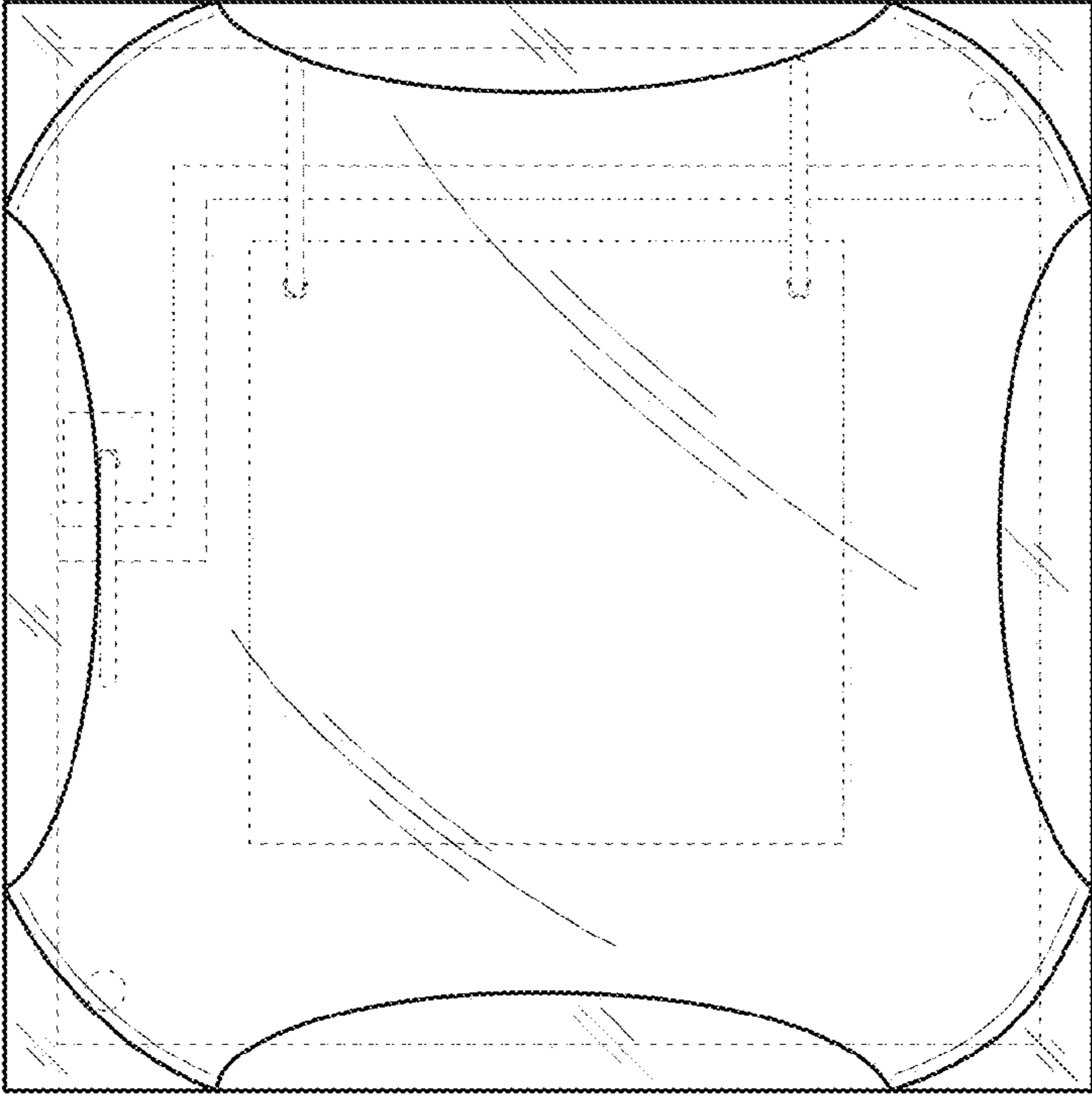


FIG. 10

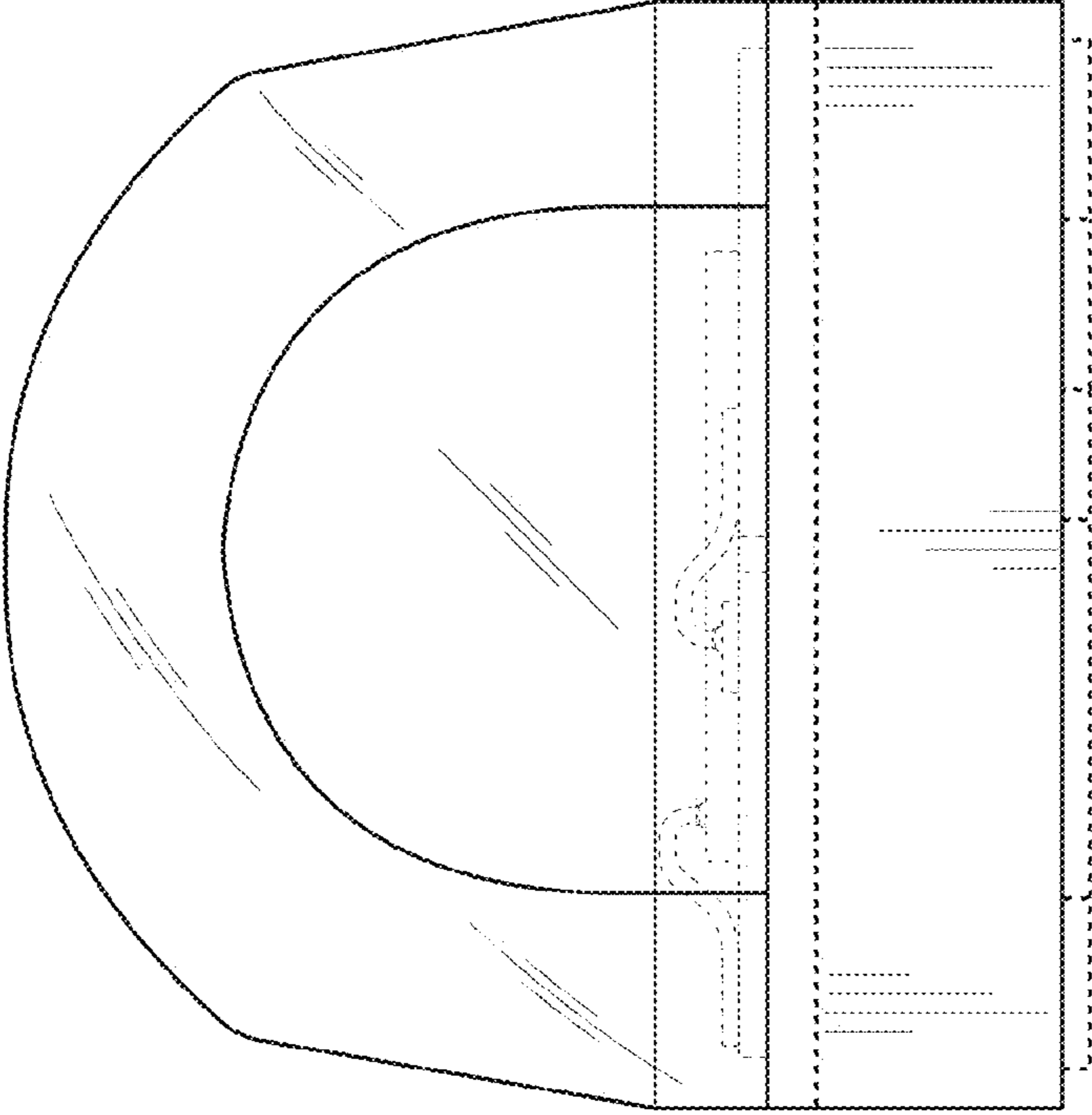


FIG. 11

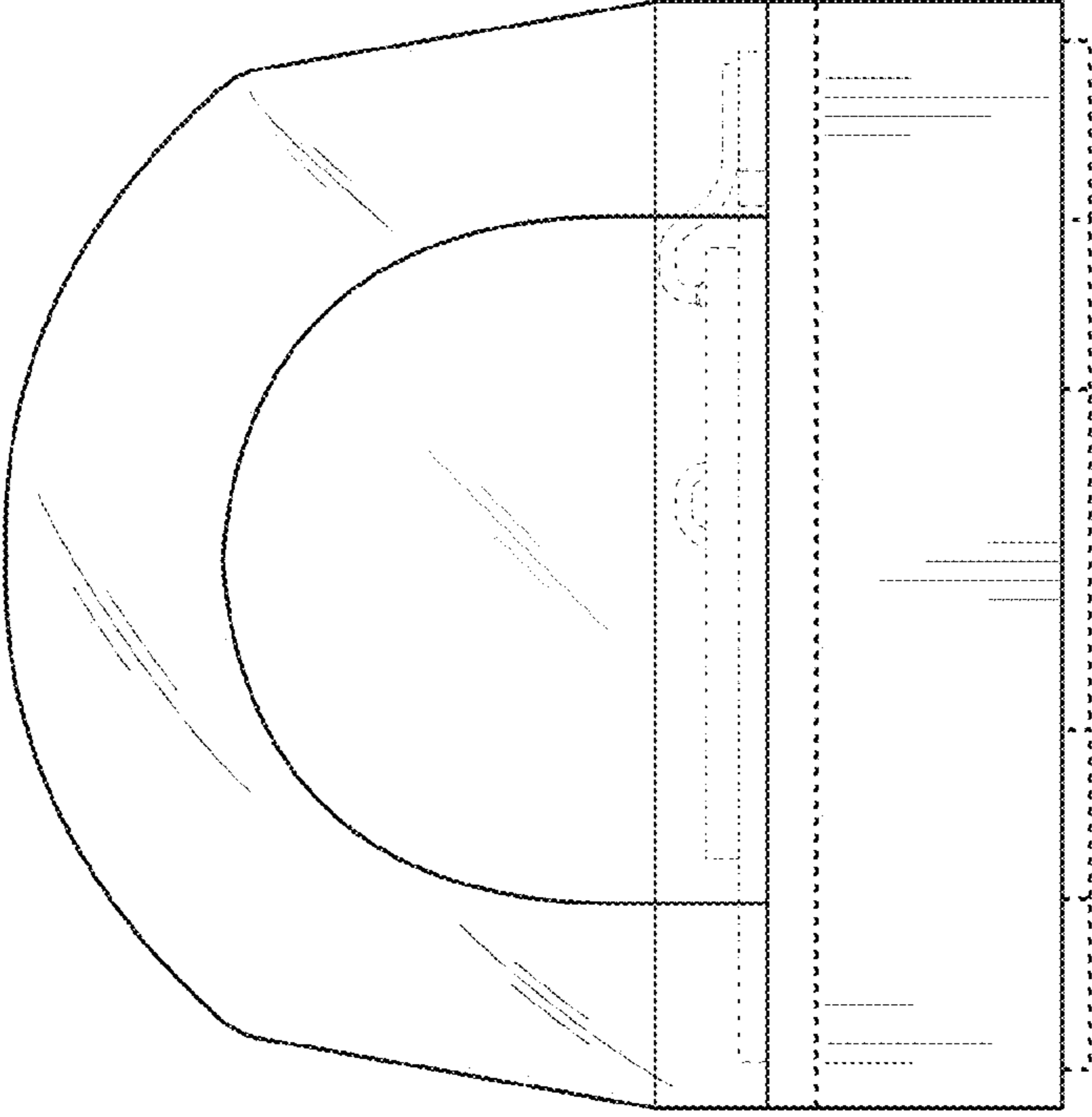


FIG. 12

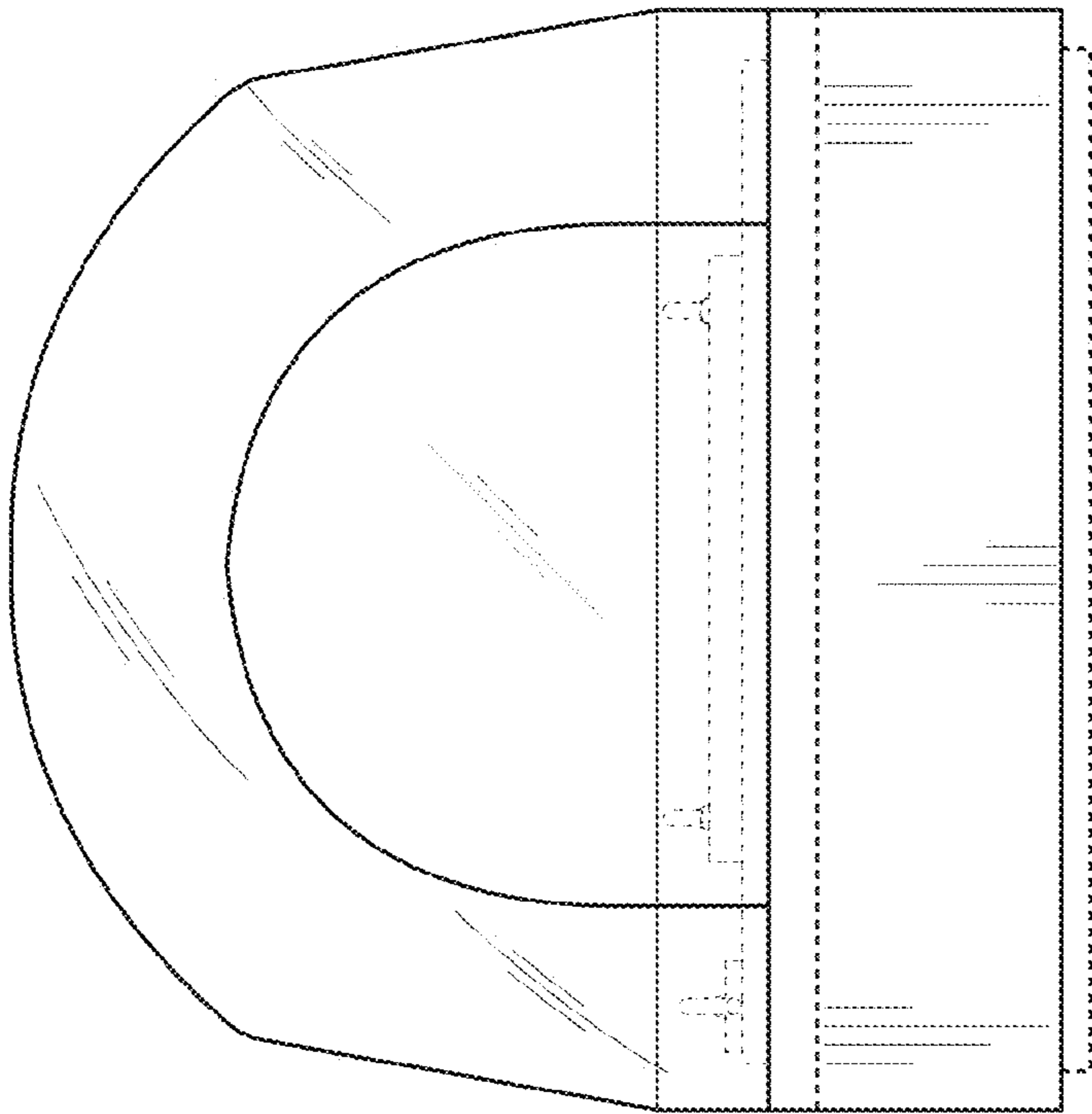


FIG. 13

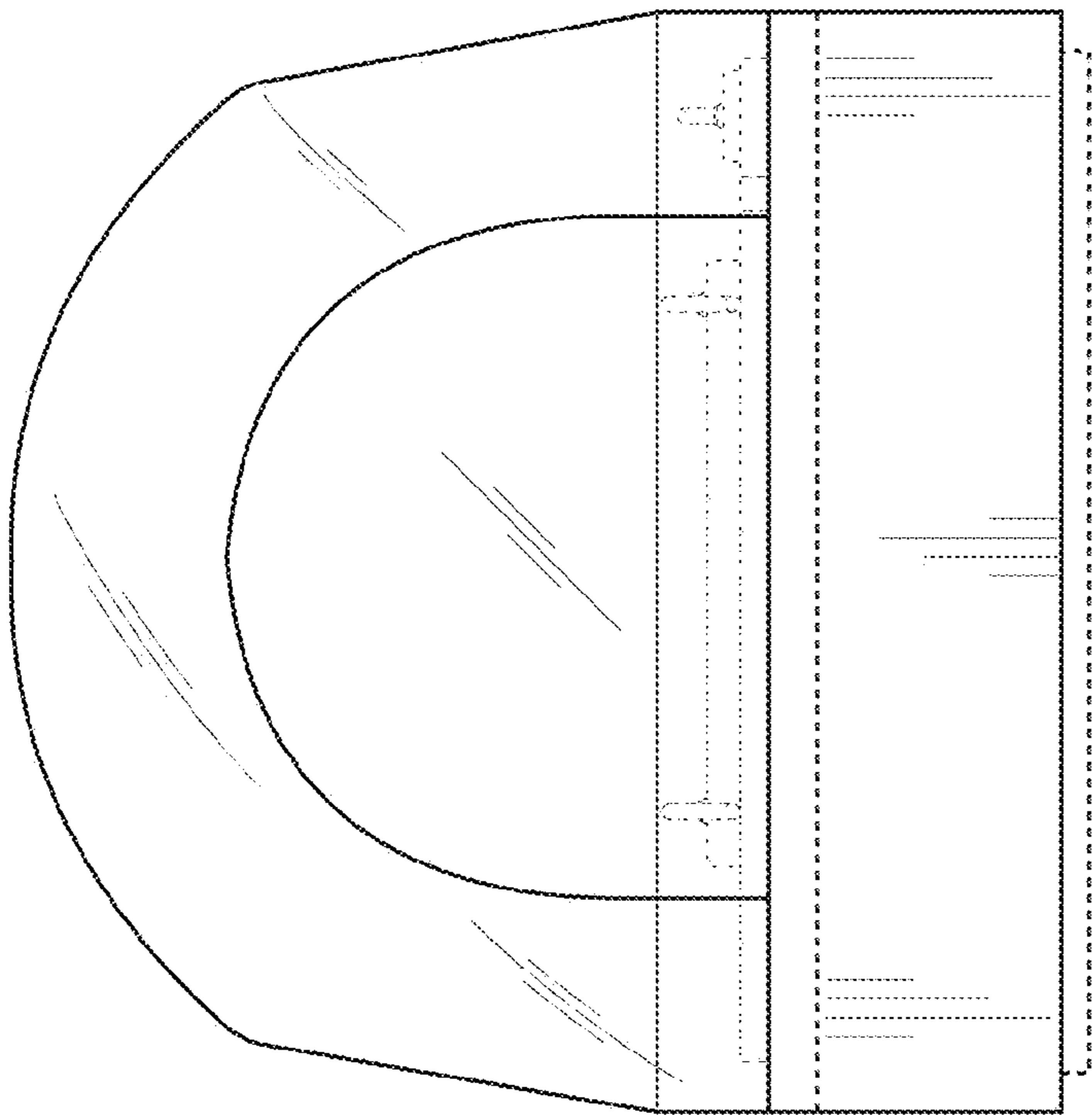


FIG. 14