



US00D746239S

(12) **United States Design Patent**
Higgins et al.

(10) **Patent No.:** **US D746,239 S**
(45) **Date of Patent:** **** Dec. 29, 2015**

- (54) **CONTROL HOLDER**
- (71) Applicant: **Cardiovascular Systems, Inc.**, St. Paul, MN (US)
- (72) Inventors: **Joseph Higgins**, Minnetonka, MN (US);
Nicholas Rydberg, Oakdale, MN (US)
- (73) Assignee: **Cardiovascular Systems, Inc.**, St. Paul, MN (US)
- (**) Term: **14 Years**
- (21) Appl. No.: **29/479,609**
- (22) Filed: **Jan. 17, 2014**
- (51) **LOC (10) Cl.** **14-03**
- (52) **U.S. Cl.**
USPC **D13/168; D14/218**
- (58) **Field of Classification Search**
USPC D13/107, 108, 168; D14/149, 217, 218,
D14/447; D6/672, 682
CPC F16M 11/00; F16M 2200/08; F16M 13/00
See application file for complete search history.

(56) **References Cited**

U.S. PATENT DOCUMENTS

4,198,766	A	4/1980	Camin	
4,642,055	A	2/1987	Saliterman	
4,726,772	A	2/1988	Amplatz	
4,856,658	A *	8/1989	Novak	211/26.1
4,893,222	A *	1/1990	Mintzer	362/109
5,055,051	A	10/1991	Duncan	
5,112,228	A	5/1992	Zouras	
5,244,173	A *	9/1993	Kulyk	248/176.1
6,062,866	A	5/2000	Prom	
6,336,812	B1	1/2002	Cooper et al.	
6,538,634	B1	3/2003	Chui et al.	

6,769,658	B2 *	8/2004	Stokes	248/309.1
6,929,481	B1	8/2005	Alexander et al.	
6,997,719	B2	2/2006	Wellman et al.	
D554,107	S *	10/2007	Calco et al.	D14/217
D593,545	S *	6/2009	Jackson	D14/218
7,591,198	B2	9/2009	Weldon et al.	
D604,271	S *	11/2009	Lewis et al.	D14/218
D607,844	S *	1/2010	Feldstein et al.	D13/168
D619,996	S *	7/2010	Demskie et al.	D14/218
D623,132	S *	9/2010	Yano	D13/108
D641,713	S *	7/2011	Petrillo	D13/168
D642,520	S *	8/2011	Chun et al.	D13/108
8,083,524	B2	12/2011	Grund-Pedersen	
D657,741	S *	4/2012	Fahrendorff et al.	D13/108
D671,543	S *	11/2012	Sogabe	D14/447
8,439,687	B1	5/2013	Morriss et al.	
8,469,204	B1 *	6/2013	Bradshaw	211/26.1
8,469,717	B2	6/2013	Park et al.	

(Continued)

FOREIGN PATENT DOCUMENTS

JP 2001343891 12/2001

Primary Examiner — Selina Sikder

(74) *Attorney, Agent, or Firm* — Winthrop & Weinstine

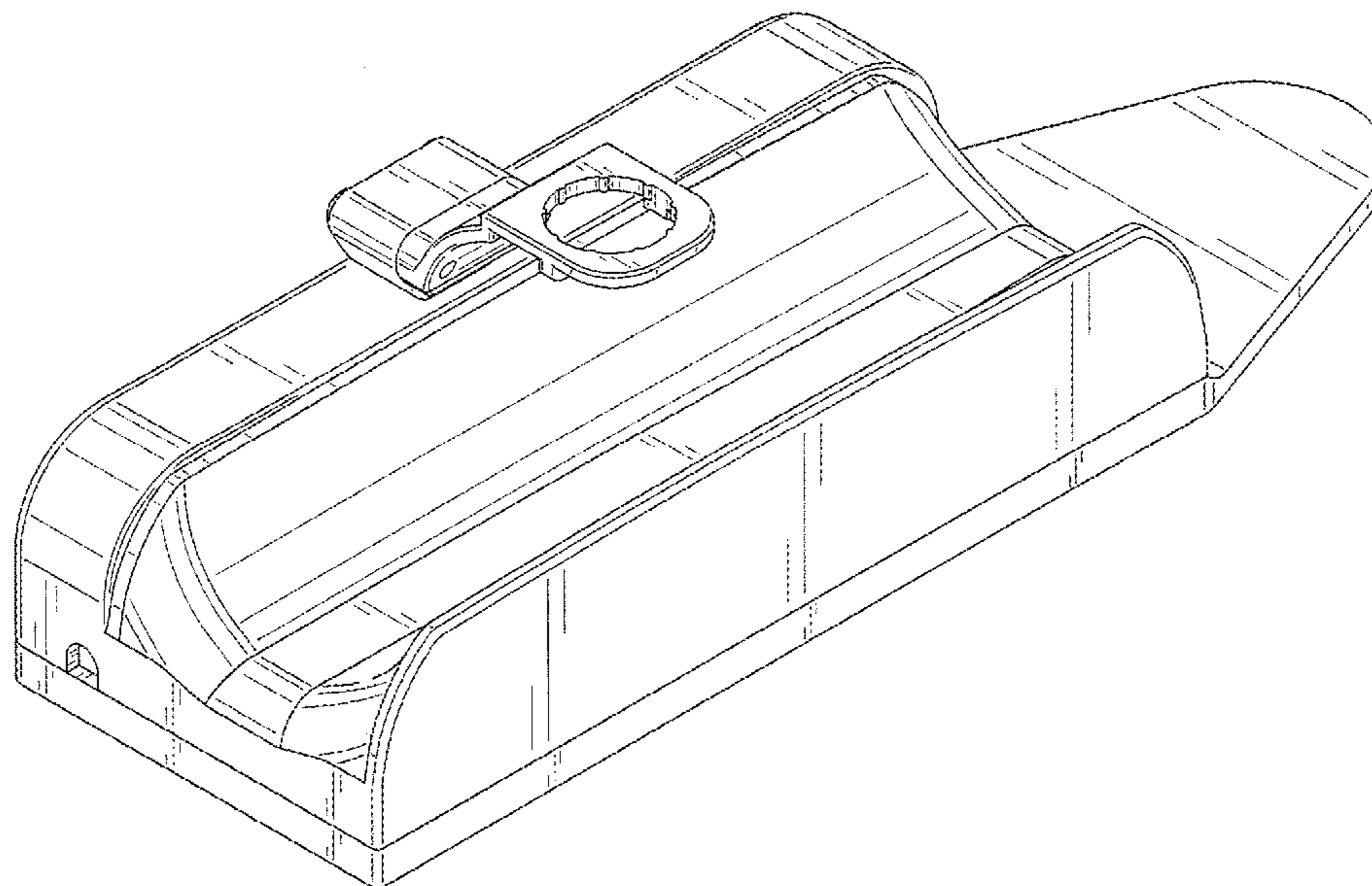
(57) **CLAIM**

The ornamental design for a control holder, as shown.

DESCRIPTION

FIG. 1 is a perspective view of the control holder showing our new design;
 FIG. 2 is a left side view of the control holder of FIG. 1;
 FIG. 3 is a right side view of the control holder of FIG. 1;
 FIG. 4 is a back view of the control holder of FIG. 1;
 FIG. 5 is a front view of the control holder of FIG. 1;
 FIG. 6 is a top view of the control holder of FIG. 1; and,
 FIG. 7 is a bottom view of the control holder of FIG. 1.

1 Claim, 7 Drawing Sheets



(56)

References Cited

U.S. PATENT DOCUMENTS

D685,322 S *	7/2013	Szymanski et al.	D13/108	2006/0127864 A1	6/2006	Ohlsson	
D692,009 S *	10/2013	Ashida et al.	D14/447	2008/0187896 A1	8/2008	Savitsky	
D692,376 S *	10/2013	Palmer et al.	D13/108	2009/0251352 A1*	10/2009	Altonen et al.	341/176
2005/0155942 A1*	7/2005	Viola	211/26.1	2011/0117531 A1	5/2011	Iwasaki et al.	
				2012/0028231 A1	2/2012	Misawa et al.	
				2013/0022952 A1	1/2013	Ikeno et al.	

* cited by examiner

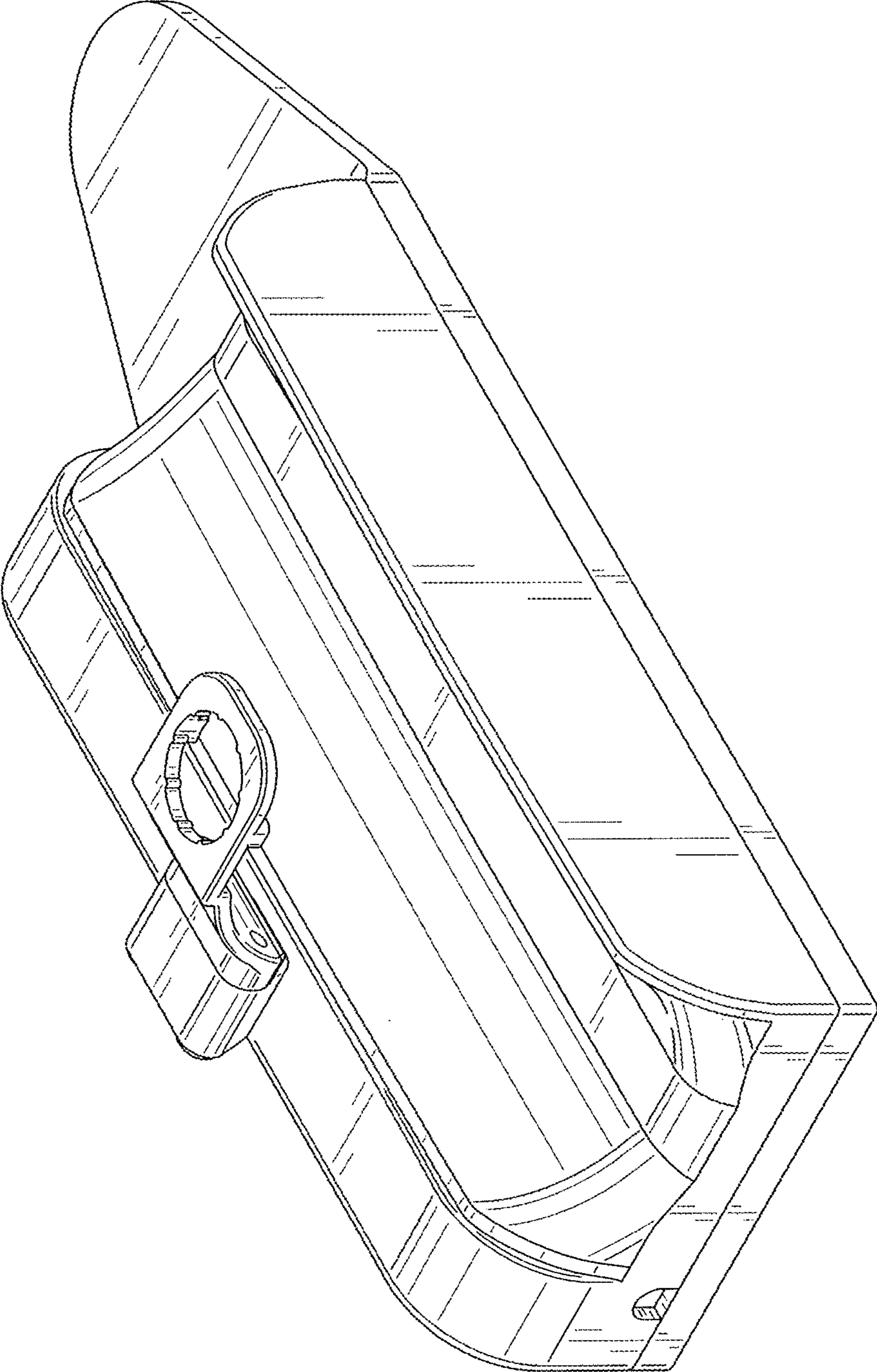


FIG. 1

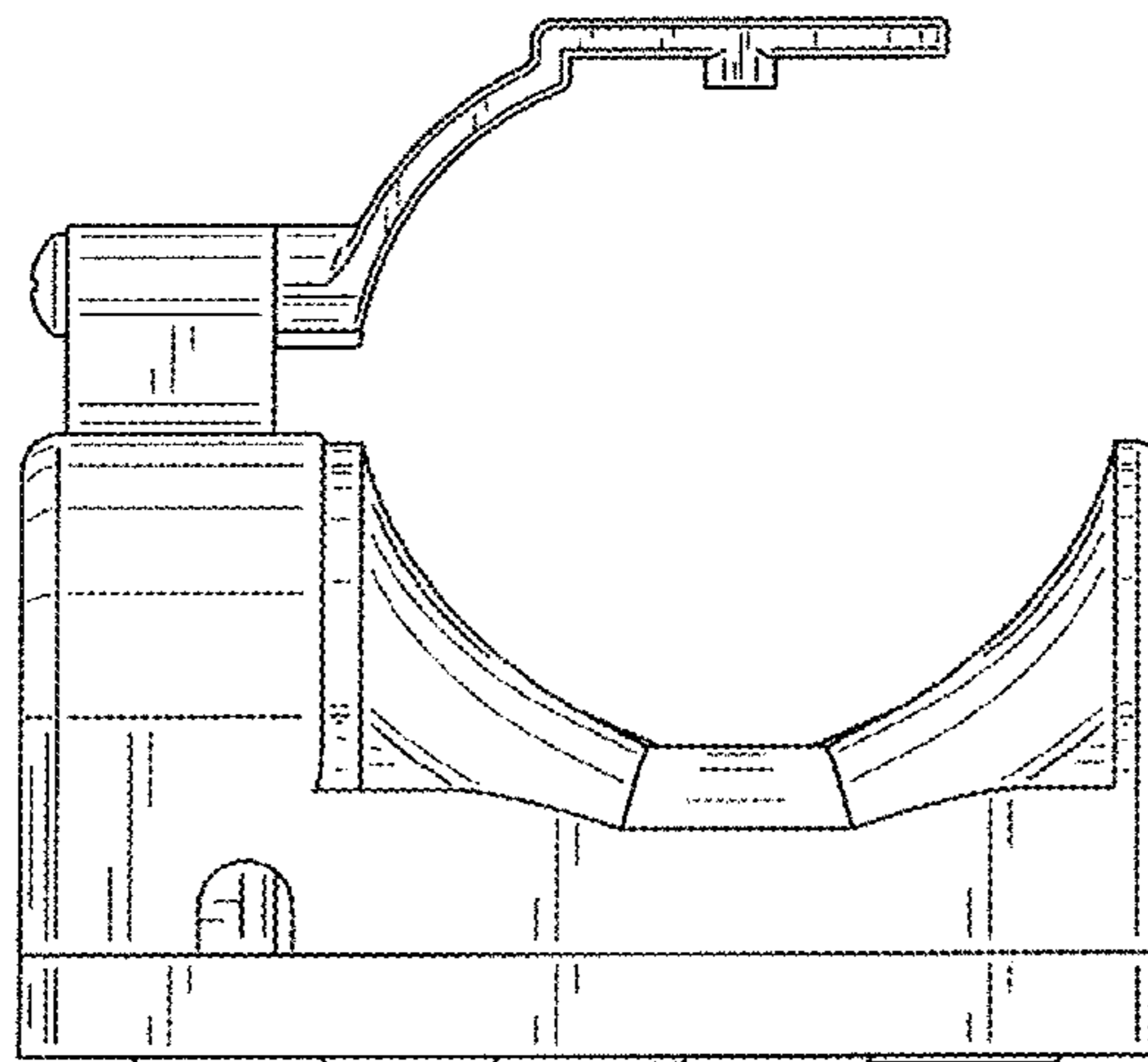


FIG. 2

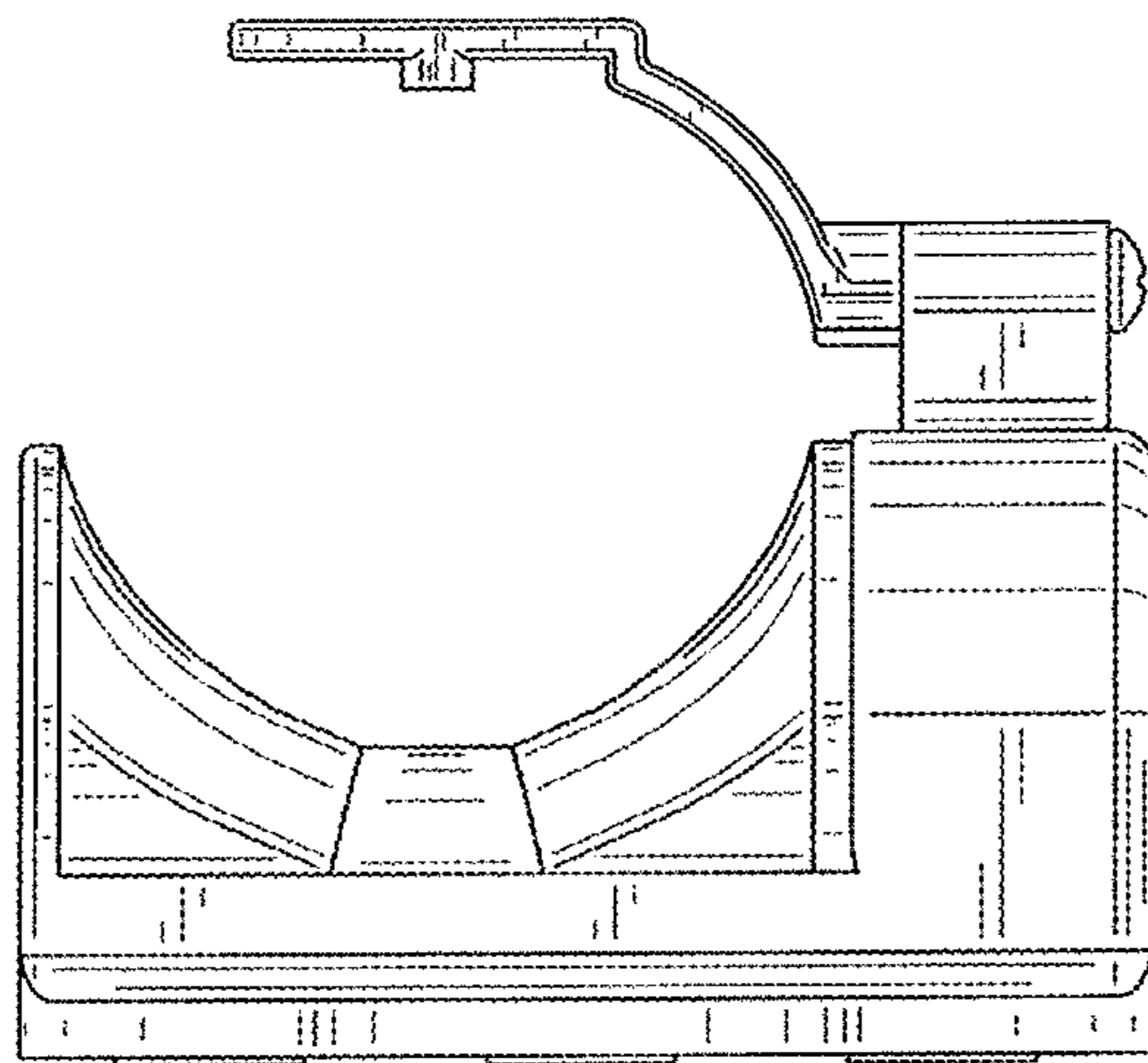


FIG. 3

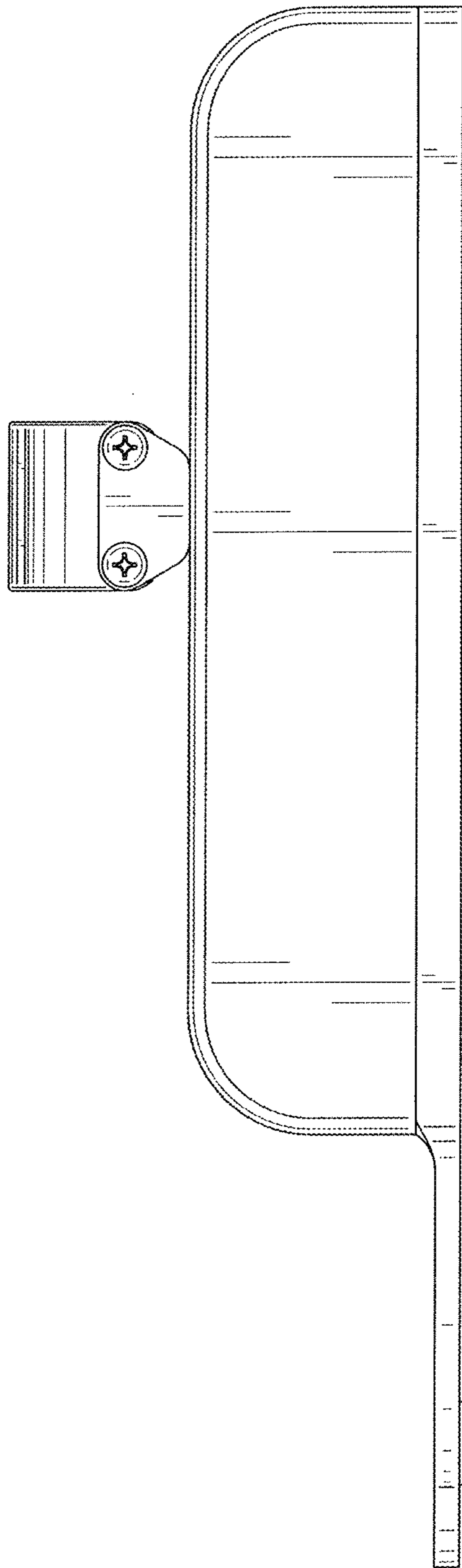


FIG. 4

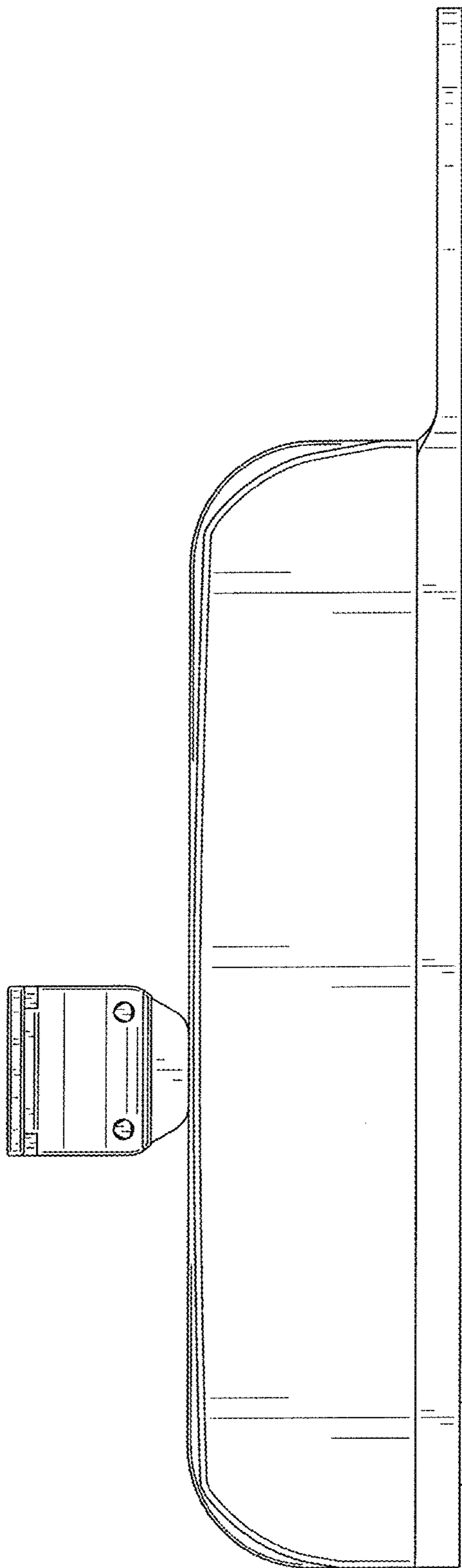


FIG. 5

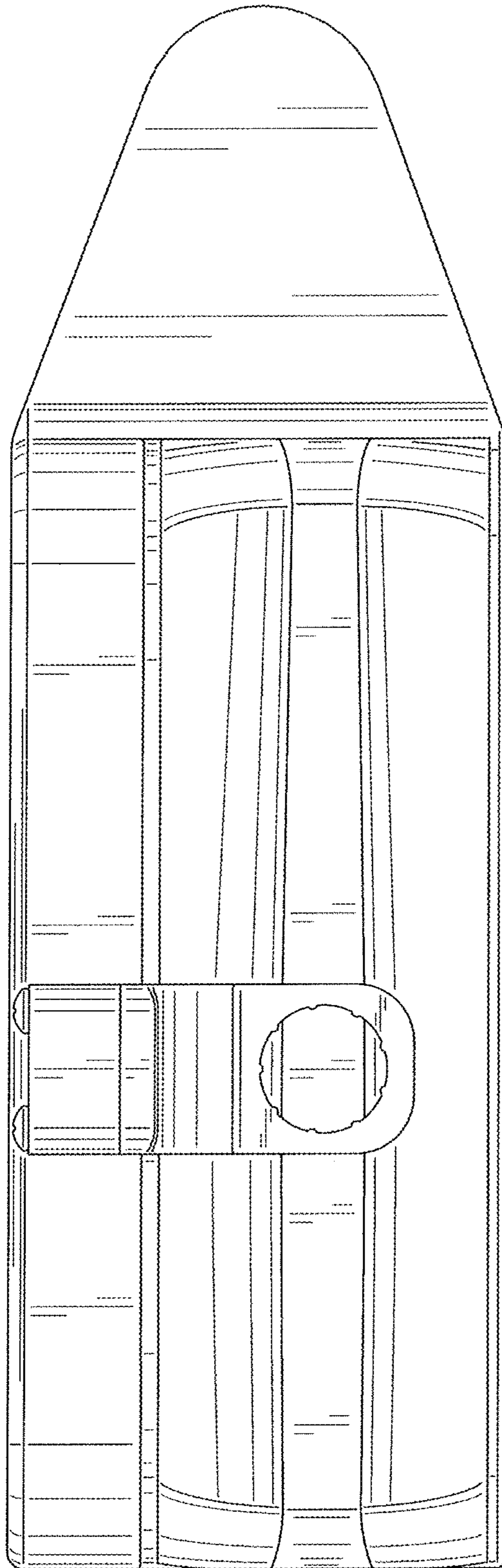


FIG. 6

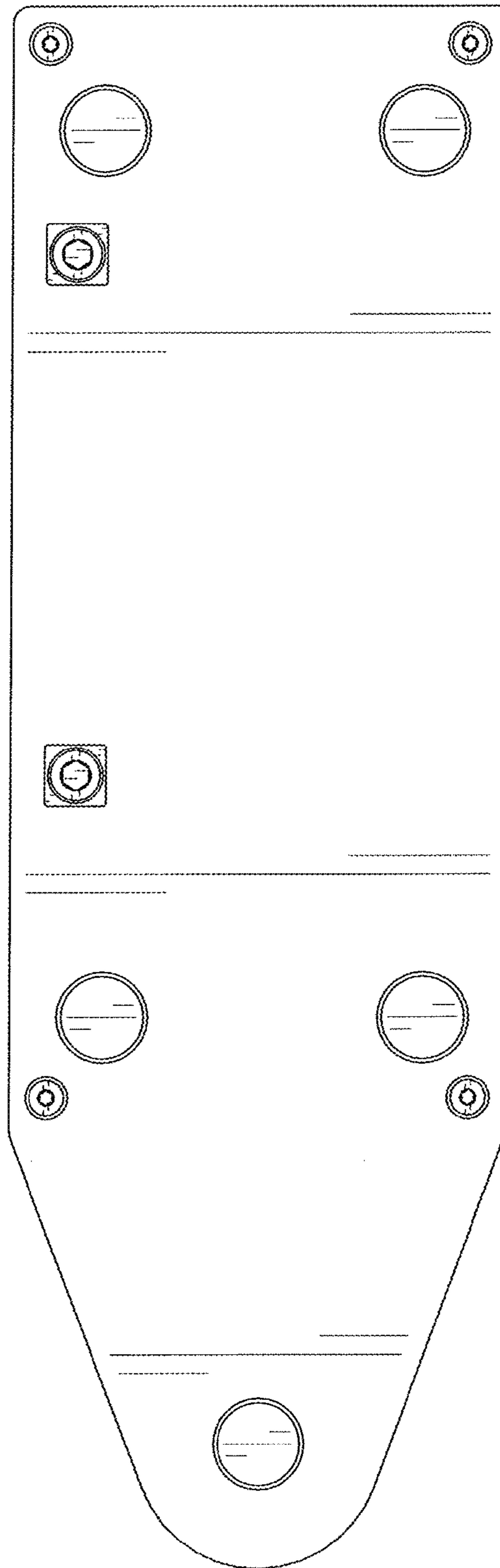


FIG. 7