



US00D746235S

(12) **United States Design Patent**  
**Amano et al.**

(10) **Patent No.:** **US D746,235 S**  
(45) **Date of Patent:** **\*\* Dec. 29, 2015**

(54) **ELECTRICAL CONNECTOR HOUSING**

D311,375 S 10/1990 Kuzuno et al.  
D311,379 S 10/1990 Kuzuno et al.  
D319,813 S 9/1991 Kozono  
D322,775 S 12/1991 Nagasaka et al.

(71) Applicant: **SUMITOMO WIRING SYSTEMS, LTD.**, Yokkaichi-shi, Mie-ken (JP)

(Continued)

(72) Inventors: **Takamaru Amano**, Yokkaichi (JP);  
**Satoshi Morikawa**, Yokkaichi (JP);  
**Kohei Takagi**, Yokkaichi (JP)

FOREIGN PATENT DOCUMENTS

(73) Assignee: **Sumitomo Wiring Systems, Ltd.**,  
Mie-ken (JP)

JP 61-23275 U 2/1986

(\*\*) Term: **15 Years**

(21) Appl. No.: **29/528,043**

(22) Filed: **May 26, 2015**

OTHER PUBLICATIONS

Engineering draft of one of the Applicant Sumitomo Wiring System's products (Part Name: WAS9RS-INJ2F-AY, Part No. 6189-6872,) finalized on Sep. 6, 2004.

*Primary Examiner* — Daniel Bui

(74) *Attorney, Agent, or Firm* — Marsh Fischmann & Breyfogle LLP

**Related U.S. Application Data**

(62) Division of application No. 29/488,604, filed on Apr. 22, 2014, now Pat. No. Des. 738,313.

(57) **CLAIM**

The ornamental design for an electrical connector housing, as shown and described.

**Foreign Application Priority Data**

(30) Oct. 24, 2013 (JP) ..... 2013-024771  
Oct. 24, 2013 (JP) ..... 2013-024772

**DESCRIPTION**

(51) **LOC (10) Cl.** ..... **13-03**  
(52) **U.S. Cl.**  
USPC ..... **D13/147**  
(58) **Field of Classification Search**  
USPC ..... D13/146, 147, 154, 184, 199  
See application file for complete search history.

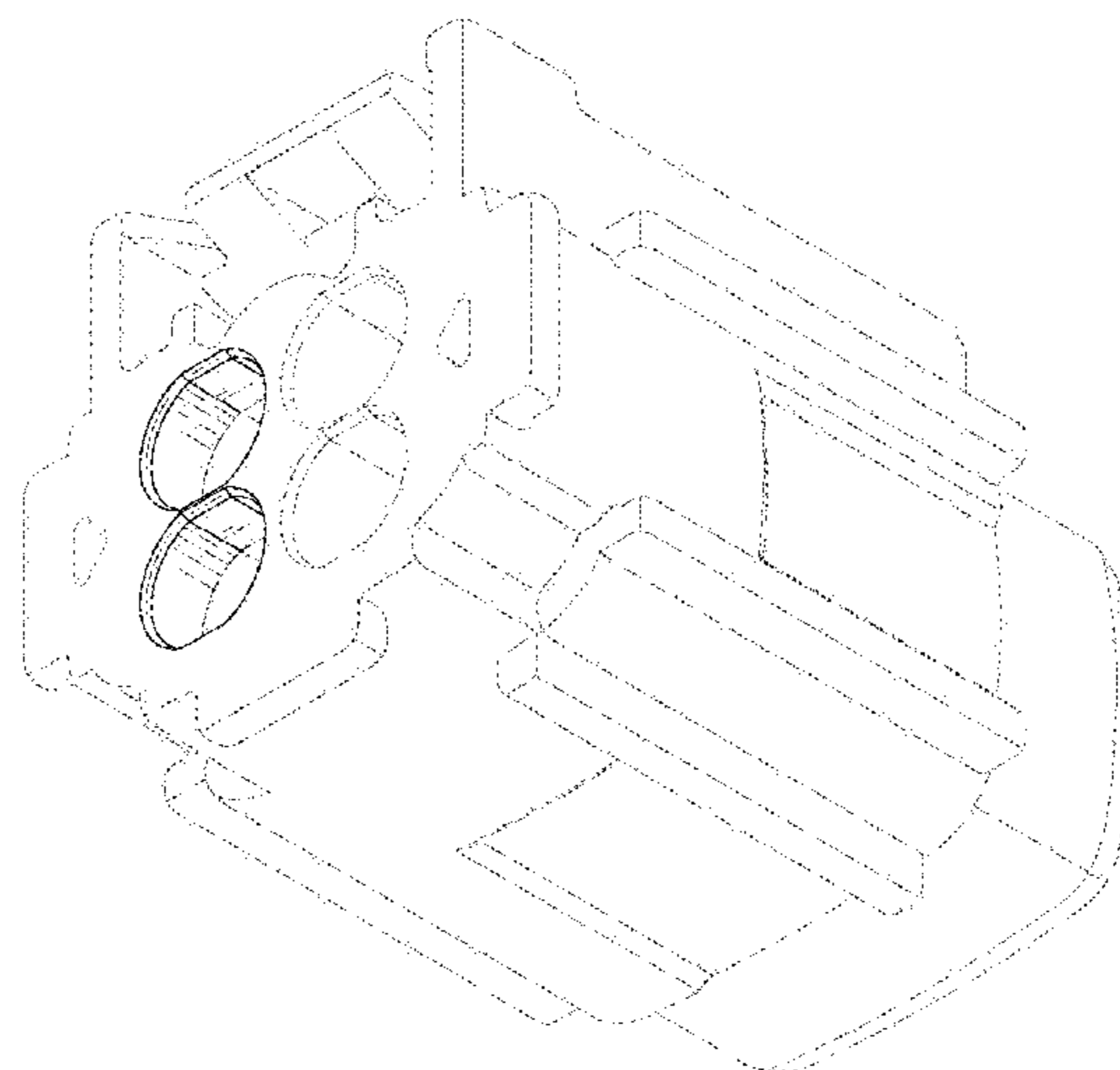
FIG. 1 is a rear, bottom, and left side perspective view of an electrical connector housing showing our new design;  
FIG. 2 is a front view thereof;  
FIG. 3 is a rear view thereof;  
FIG. 4 is a top plan view thereof;  
FIG. 5 is a right side view thereof;  
FIG. 6 is a cross sectional view taken along line 6-6 in FIG. 2;  
FIG. 7 is a cross sectional view taken along line 7-7 in FIG. 2;  
FIG. 8 is a cross sectional view taken along line 8-8 in FIG. 2;  
and,  
FIG. 9 is a cross sectional view taken along line 9-9 in FIG. 2.  
The features shown in broken lines in the drawings depict environmental subject matter only and form no part of the claimed design. The dash-dotted lines denote the boundary of the claim and form no part of the claimed design.

(56) **References Cited**

U.S. PATENT DOCUMENTS

D235,552 S 6/1975 Derr et al.  
4,915,649 A 4/1990 Shimazu et al.  
D308,511 S 6/1990 Makita et al.  
D308,513 S 6/1990 Endo et al.  
D309,289 S 7/1990 Endo et al.

**1 Claim, 9 Drawing Sheets**



(56)

**References Cited**

U.S. PATENT DOCUMENTS

D323,811 S 2/1992 Sueyoshi et al.  
D324,202 S 2/1992 Sueyoshi et al.  
D324,206 S 2/1992 Sueyoshi et al.  
D326,084 S 5/1992 Nagasaka et al.  
D336,283 S 6/1993 Ohkura et al.  
5,711,684 A 1/1998 Inoue et al.  
6,419,515 B1 7/2002 Okayasu

D474,447 S 5/2003 Kano  
D524,751 S 7/2006 Lee et al.  
D561,101 S 2/2008 Sakamoto  
D561,104 S 2/2008 Sakamoto  
D564,963 S 3/2008 Sakamoto  
D564,968 S 3/2008 Sakamoto  
D702,189 S 4/2014 Kagelmacher et al.  
D733,057 S \* 6/2015 Amano ..... D13/147  
D733,660 S \* 7/2015 Amano ..... D13/147  
D738,313 S \* 9/2015 Amano ..... D13/147

\* cited by examiner

FIG. 1

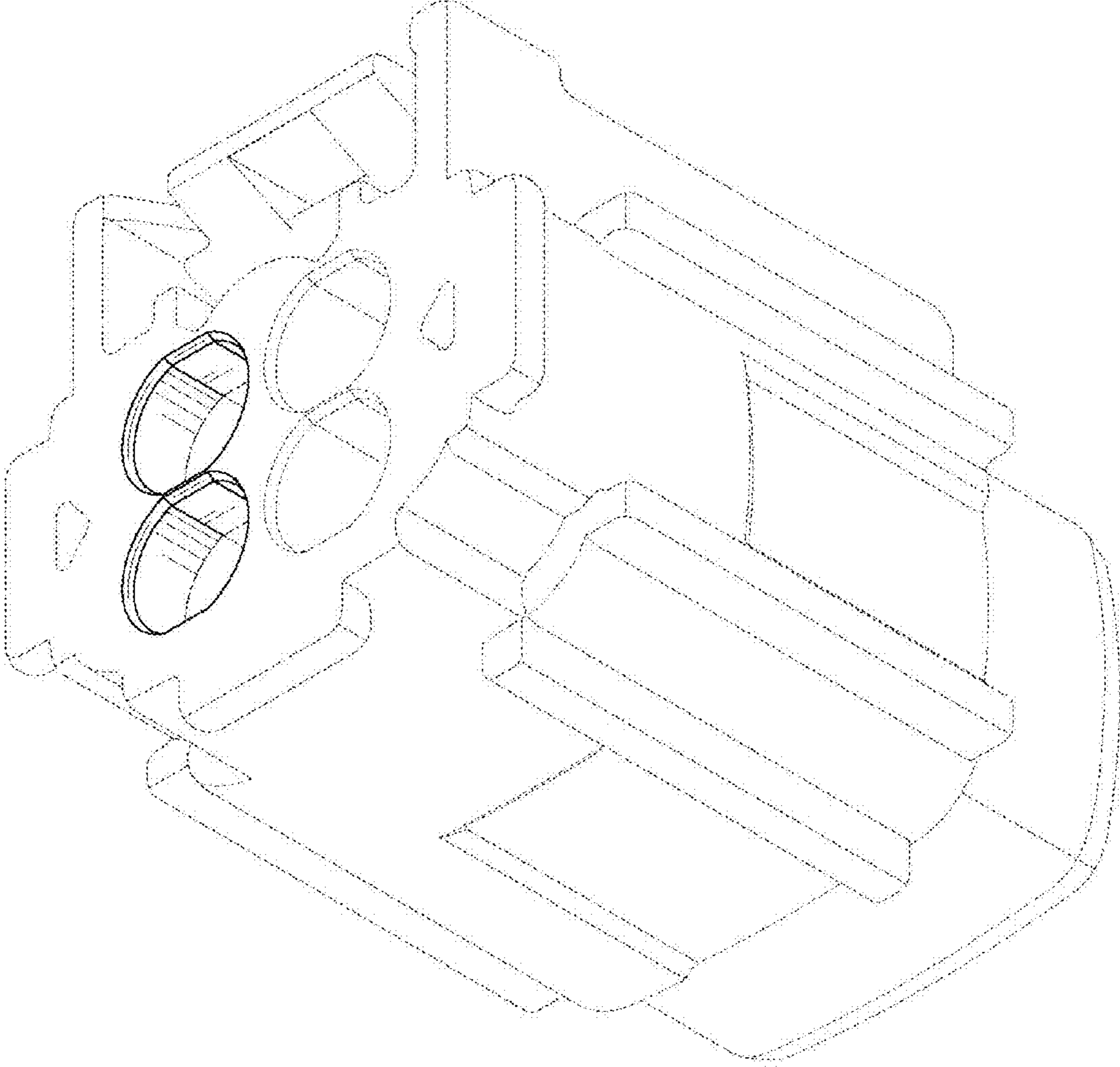


FIG. 2

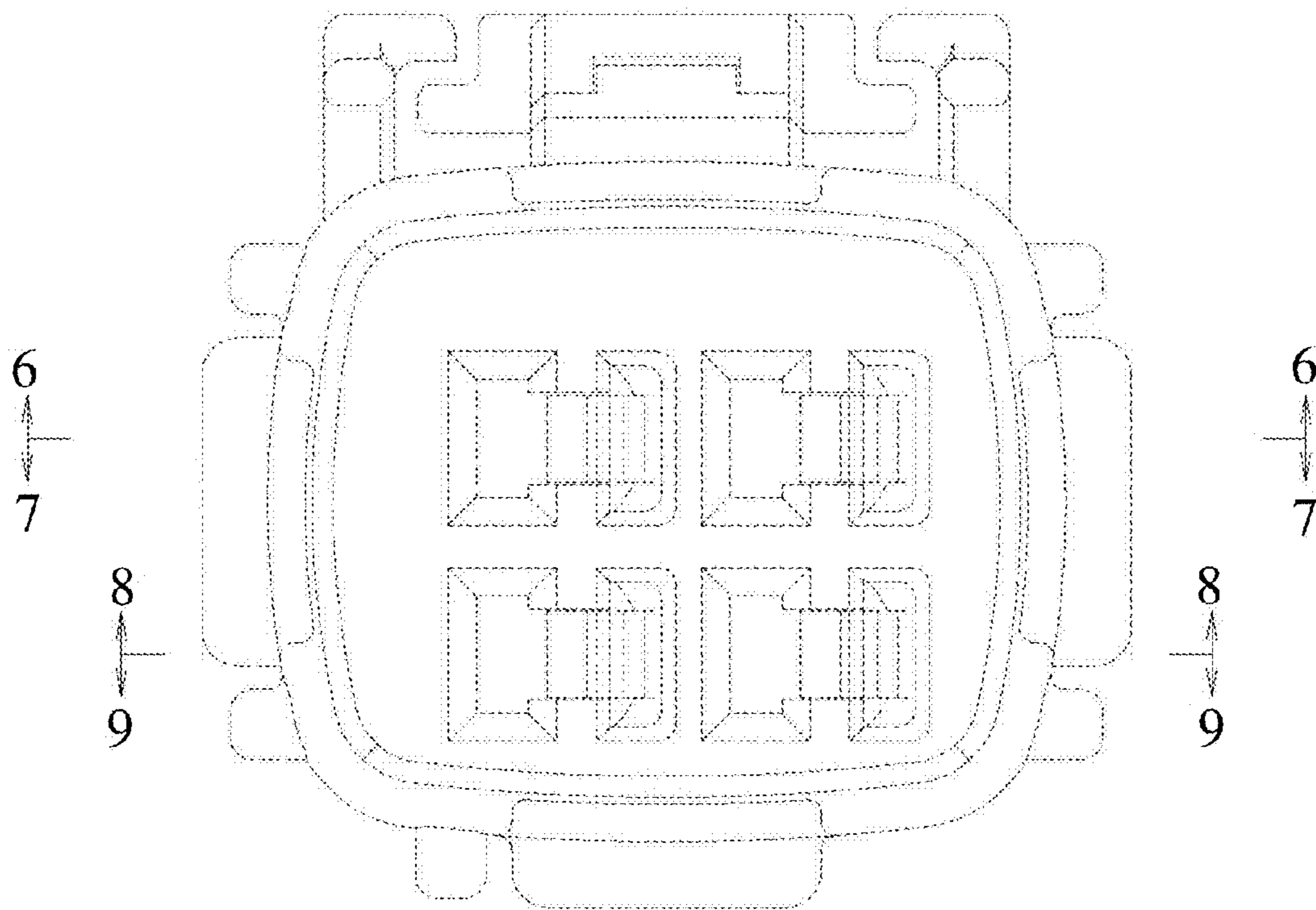


FIG. 3

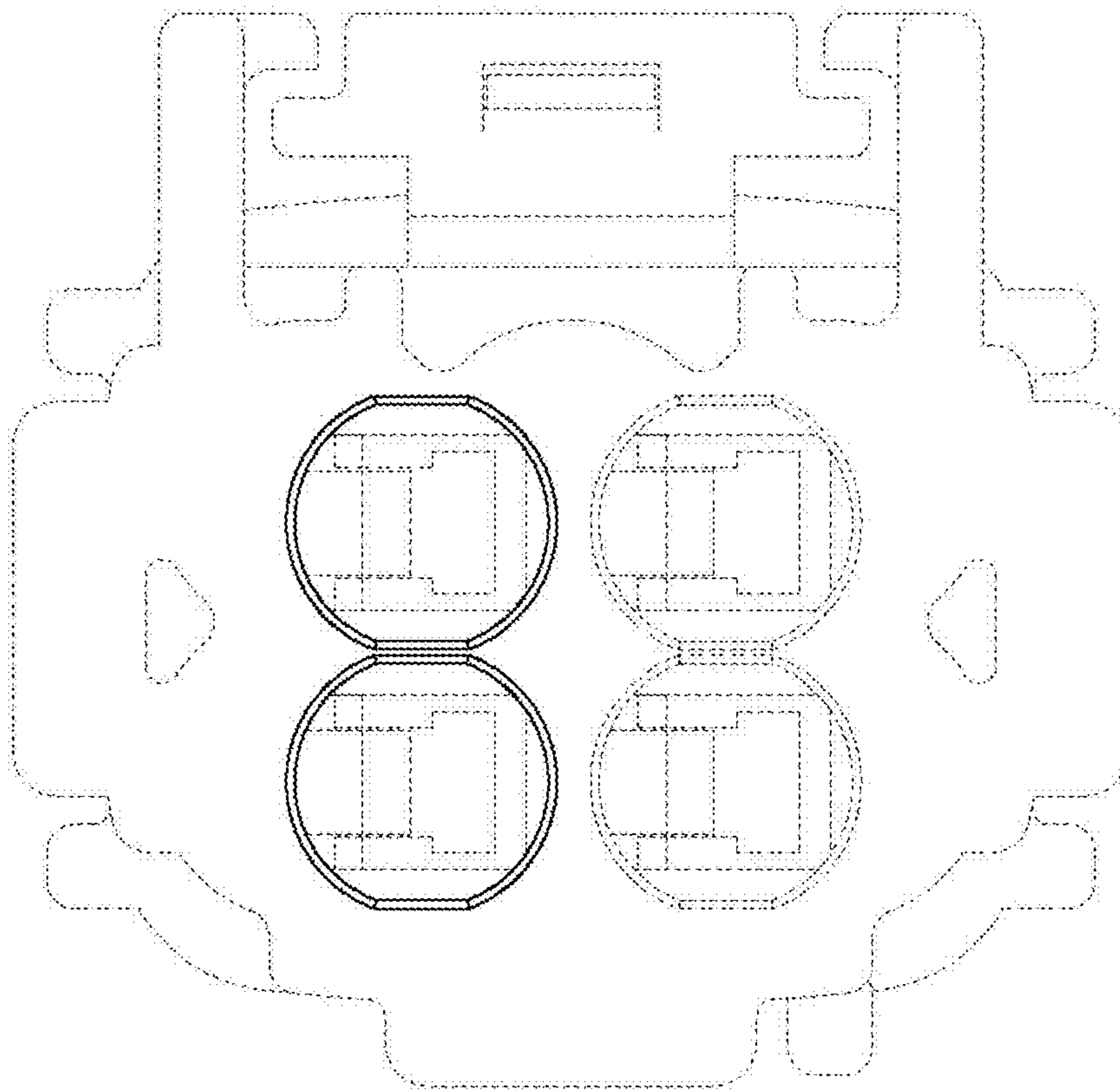




FIG. 4

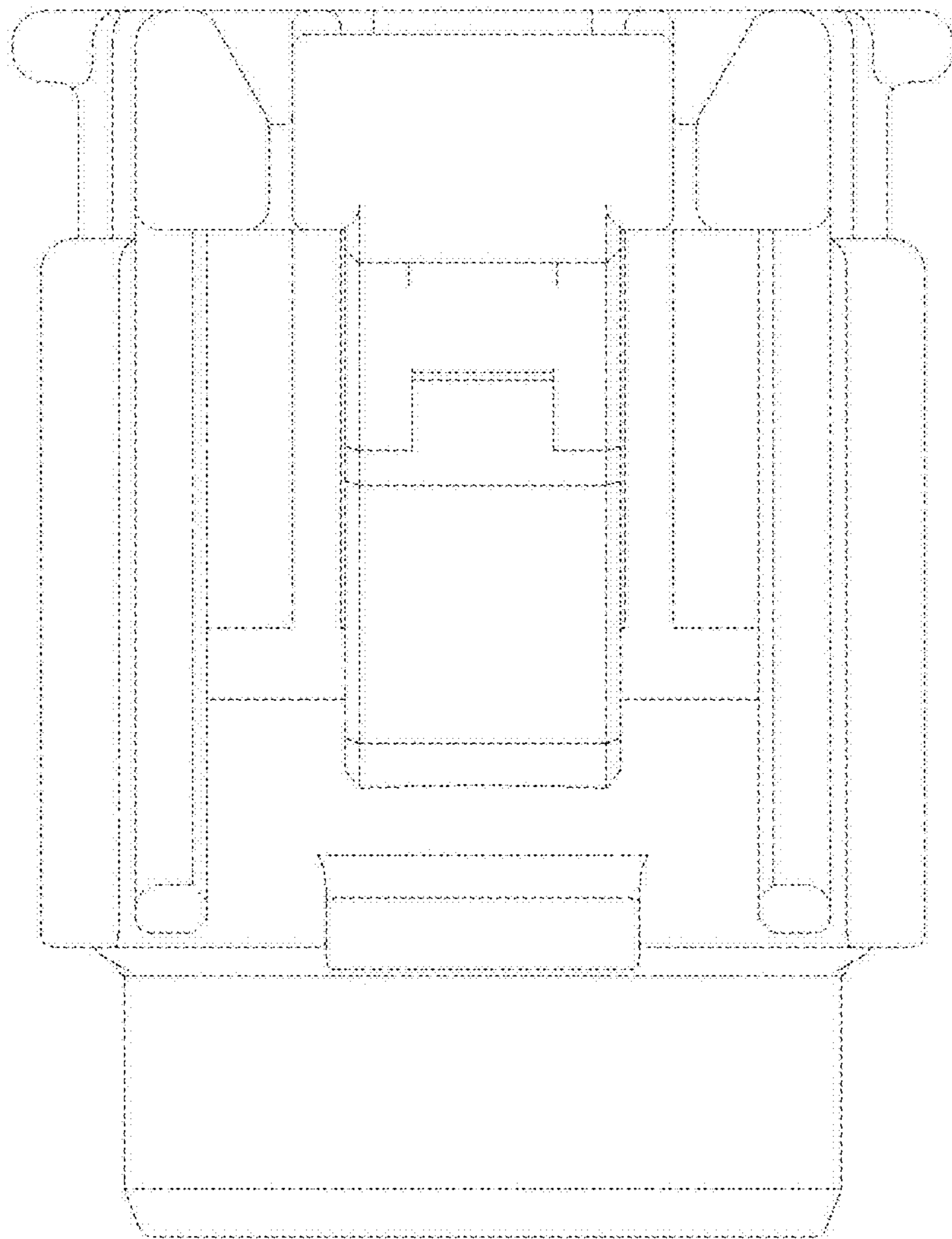


FIG. 5

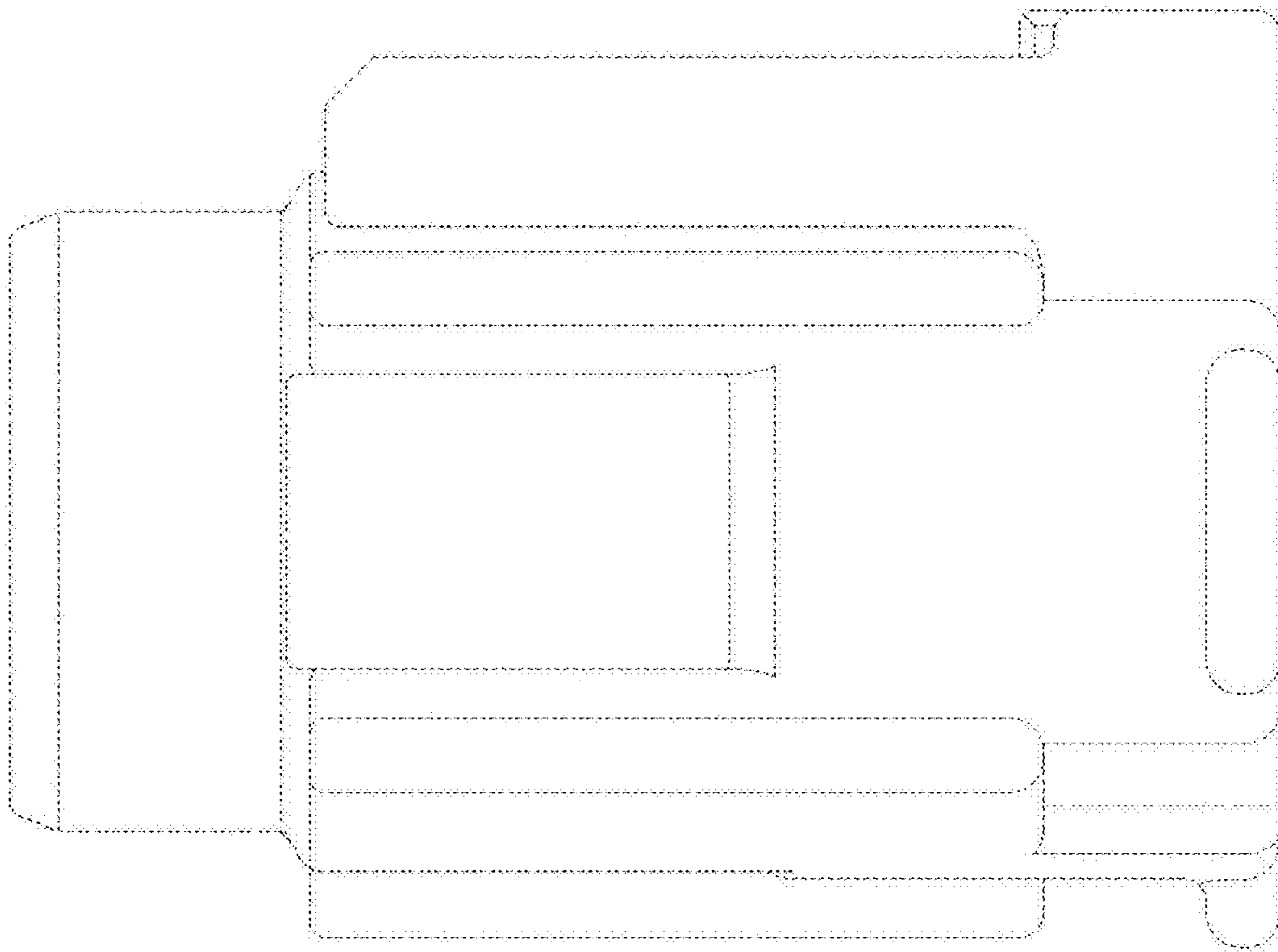


FIG. 6

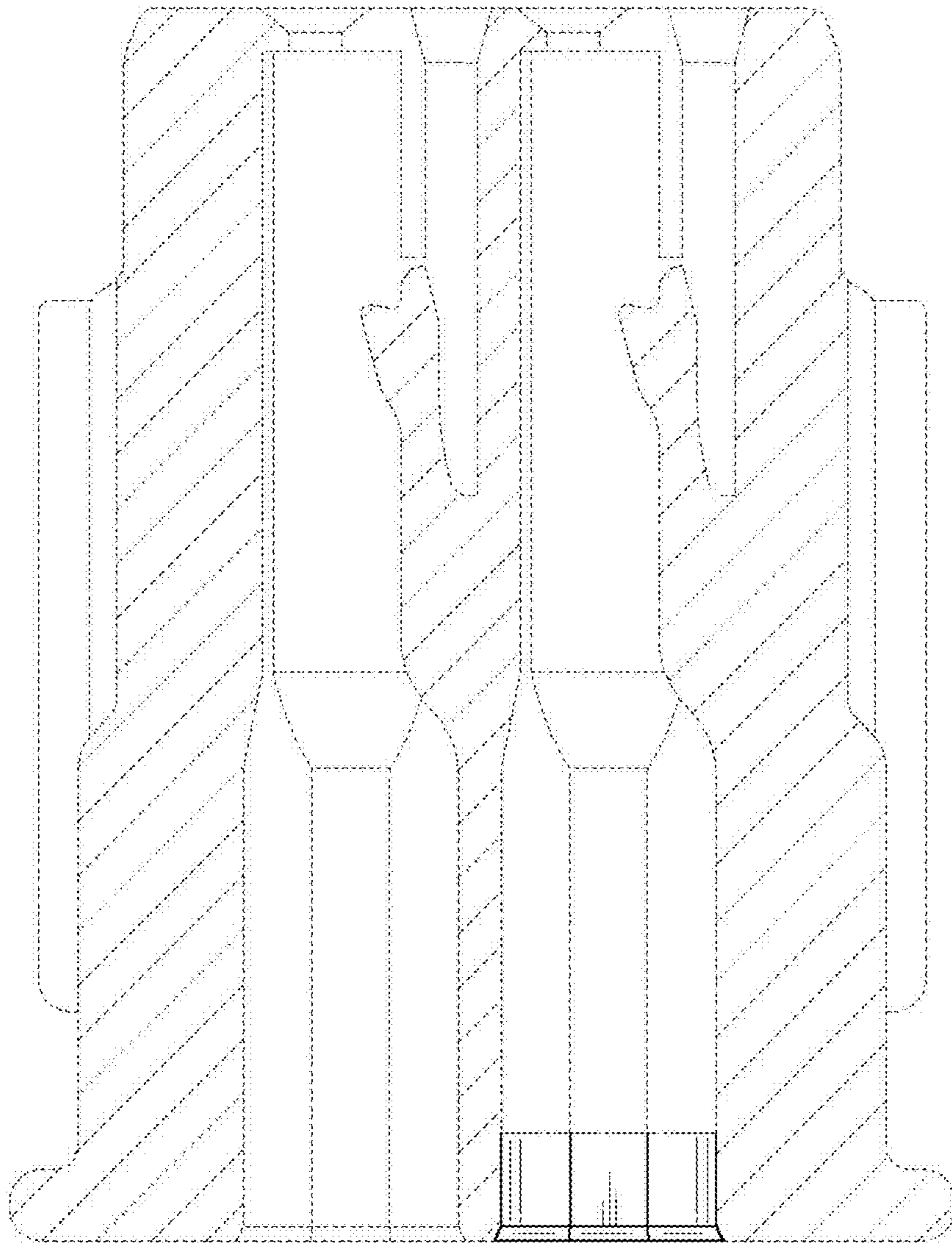




FIG. 7

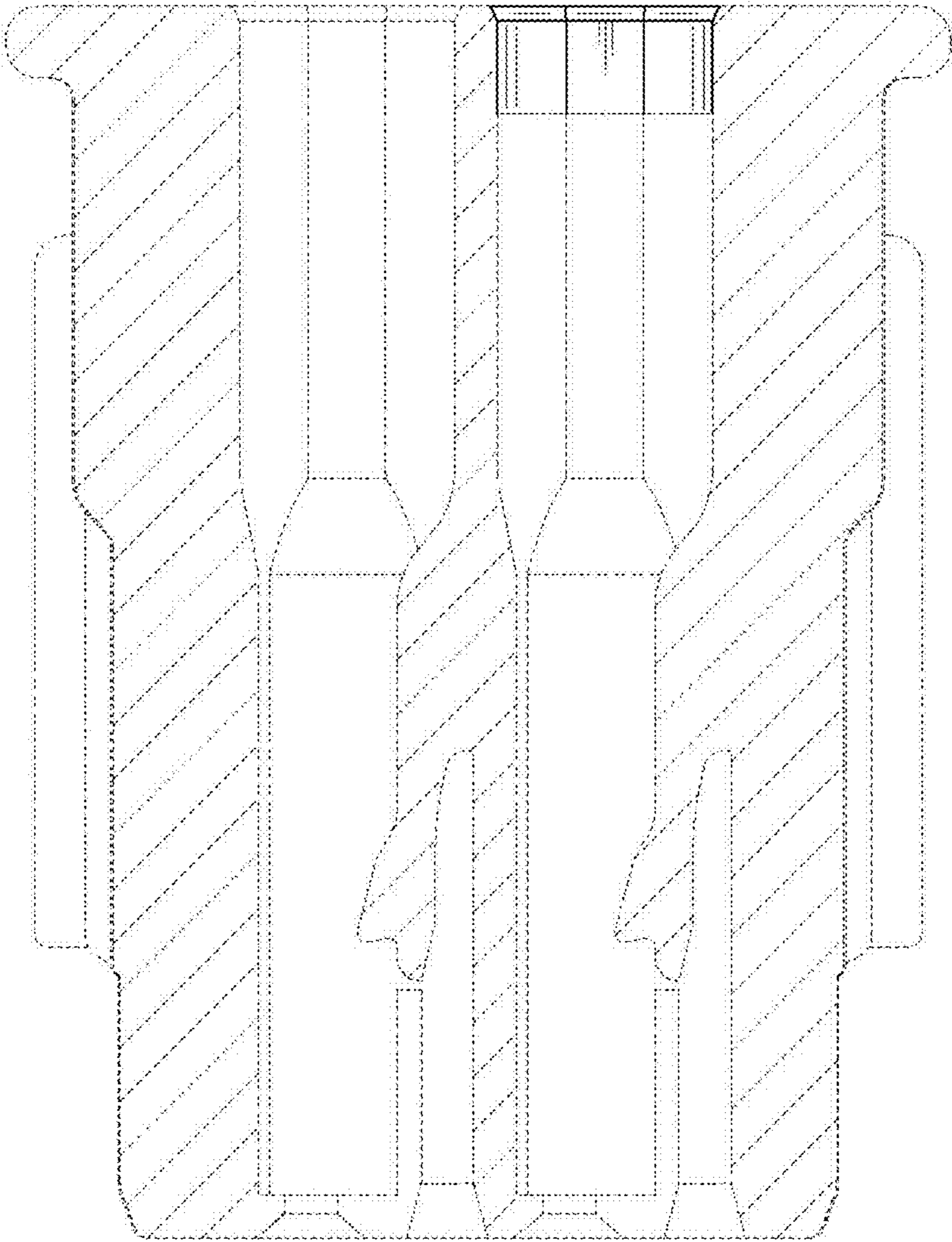


FIG. 8

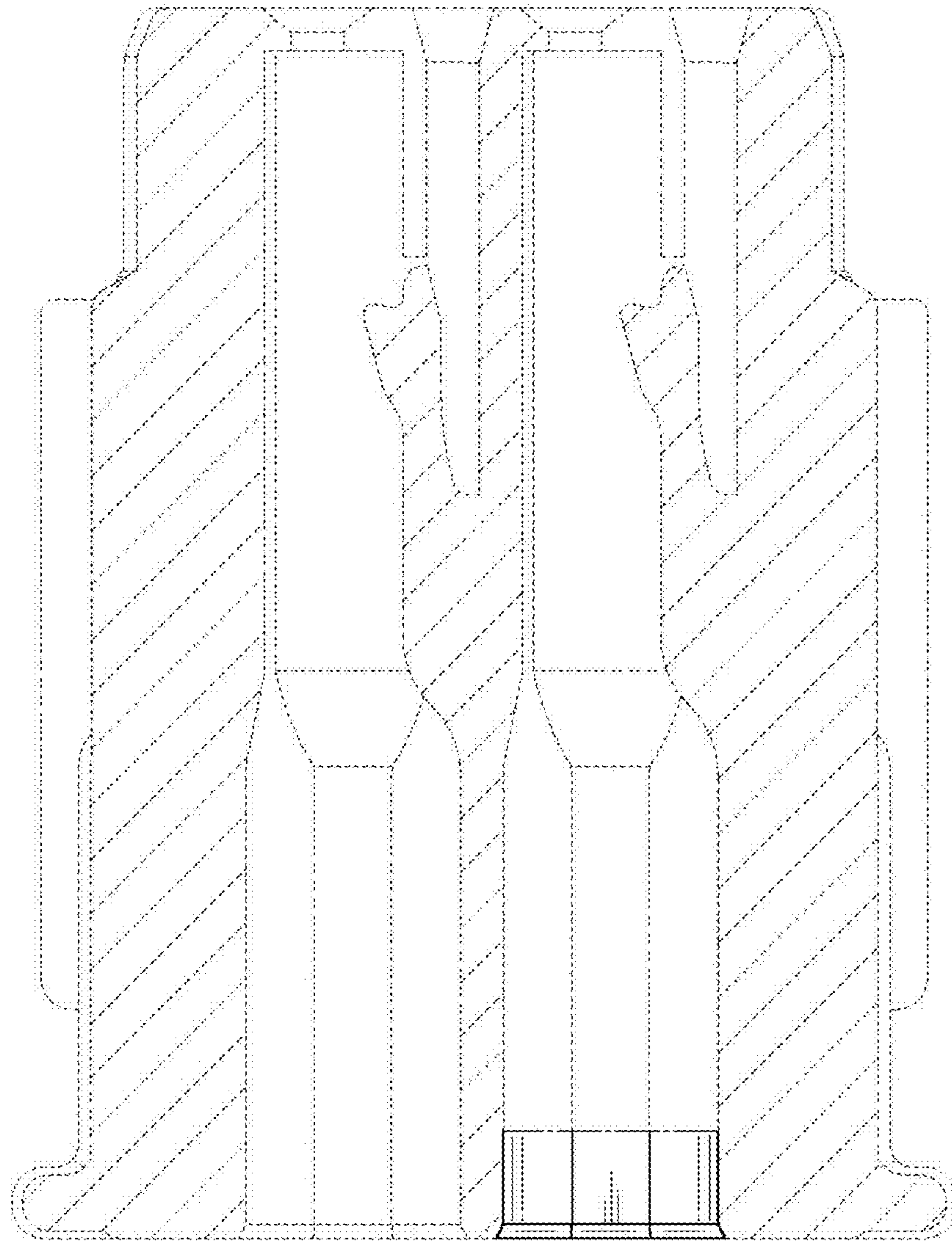


FIG. 9

