



US00D746233S

(12) **United States Design Patent**
Lyons et al.

(10) **Patent No.:** **US D746,233 S**

(45) **Date of Patent:** **** Dec. 29, 2015**

- (54) **EXTENSION CORD PLUG**
- (71) Applicants: **Jeffrey Lyons**, Newberry, FL (US);
Giacomo Strollo, San Diego, CA (US)
- (72) Inventors: **Jeffrey Lyons**, Newberry, FL (US);
Giacomo Strollo, San Diego, CA (US)
- (**) Term: **14 Years**
- (21) Appl. No.: **29/478,198**
- (22) Filed: **Jan. 2, 2014**
- (51) **LOC (10) Cl.** **13-03**
- (52) **U.S. Cl.**
USPC **D13/137.2; D13/138.2**
- (58) **Field of Classification Search**
USPC D13/110, 123, 133, 137.1, 137.2, 138.1,
D13/138.2, 139.1, 146, 147, 149, 154, 184,
D13/199
CPC H01R 11/00; H01R 13/465; H01R 25/00;
H01R 29/00; H01R 31/06; H01R 31/02;
H02H 9/04
See application file for complete search history.

D552,036 S	10/2007	Holland	
D596,572 S	7/2009	Wu et al.	
D613,248 S	4/2010	Wu	
D671,496 S	11/2012	Byrne	
D674,348 S	1/2013	Lee et al.	
2008/0305693 A1*	12/2008	Mei et al.	439/701
2011/0025260 A1*	2/2011	Li et al.	320/107
2012/0045926 A1*	2/2012	Lee	439/488
2012/0220167 A1*	8/2012	Walls, Jr.	439/638
2013/0090015 A1*	4/2013	Monson et al.	439/628

* cited by examiner

Primary Examiner — Thomas Johannes
Assistant Examiner — Shawn T Gingrich
 (74) *Attorney, Agent, or Firm* — McGahey & McGahey, APLC; Henry V. McGahey, Esq.

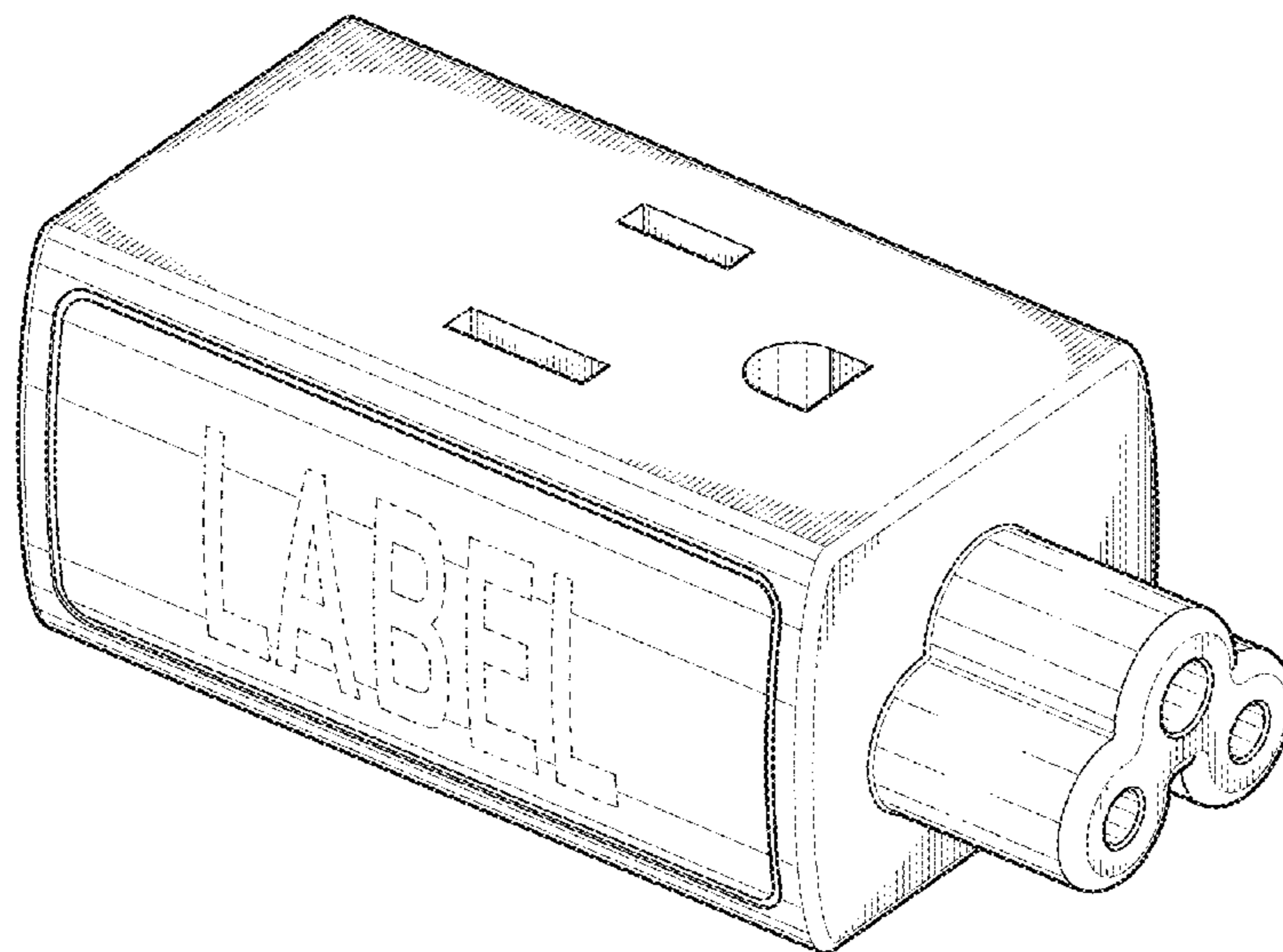
(57) **CLAIM**
 The ornamental design for an extension cord plug, as shown and described.

DESCRIPTION

FIG. 1 is a three quarter perspective view of the extension cord plug looking at the male end;
 FIG. 2 is a top plan view thereof, looking down from above;
 FIG. 3 is a bottom plan view thereof, looking up from below;
 FIG. 4 is a front side elevation view thereof;
 FIG. 5 is a back side elevation view thereof;
 FIG. 6 is an end side elevation view thereof, looking towards the male end;
 FIG. 7 is an end side elevation view thereof, looking towards the female end; and,
 FIG. 8 a three quarter perspective view thereof, looking at the female end.
 The broken line portion of the figure drawings is included to show unclaimed subject matter only and forms no part of the claimed design.

1 Claim, 7 Drawing Sheets

- (56) **References Cited**
 U.S. PATENT DOCUMENTS
 D127,010 S * 5/1941 Judisch D13/137.1
 4,626,052 A * 12/1986 Rumble 439/173
 D305,326 S * 1/1990 Clayton, Jr. D13/138.1
 4,907,118 A * 3/1990 Hames 361/56
 D357,459 S * 4/1995 Warden D13/138.2
 D360,873 S 8/1995 Starec et al.
 D375,080 S * 10/1996 Sandor et al. D13/138.2
 D381,627 S * 7/1997 Muller et al. D13/137.2
 5,855,494 A 1/1999 Blaszczyk et al.
 D407,372 S 3/1999 Starec et al.
 6,217,390 B1* 4/2001 Casari 439/651
 D538,227 S 3/2007 Holland
 D548,187 S 8/2007 Holland



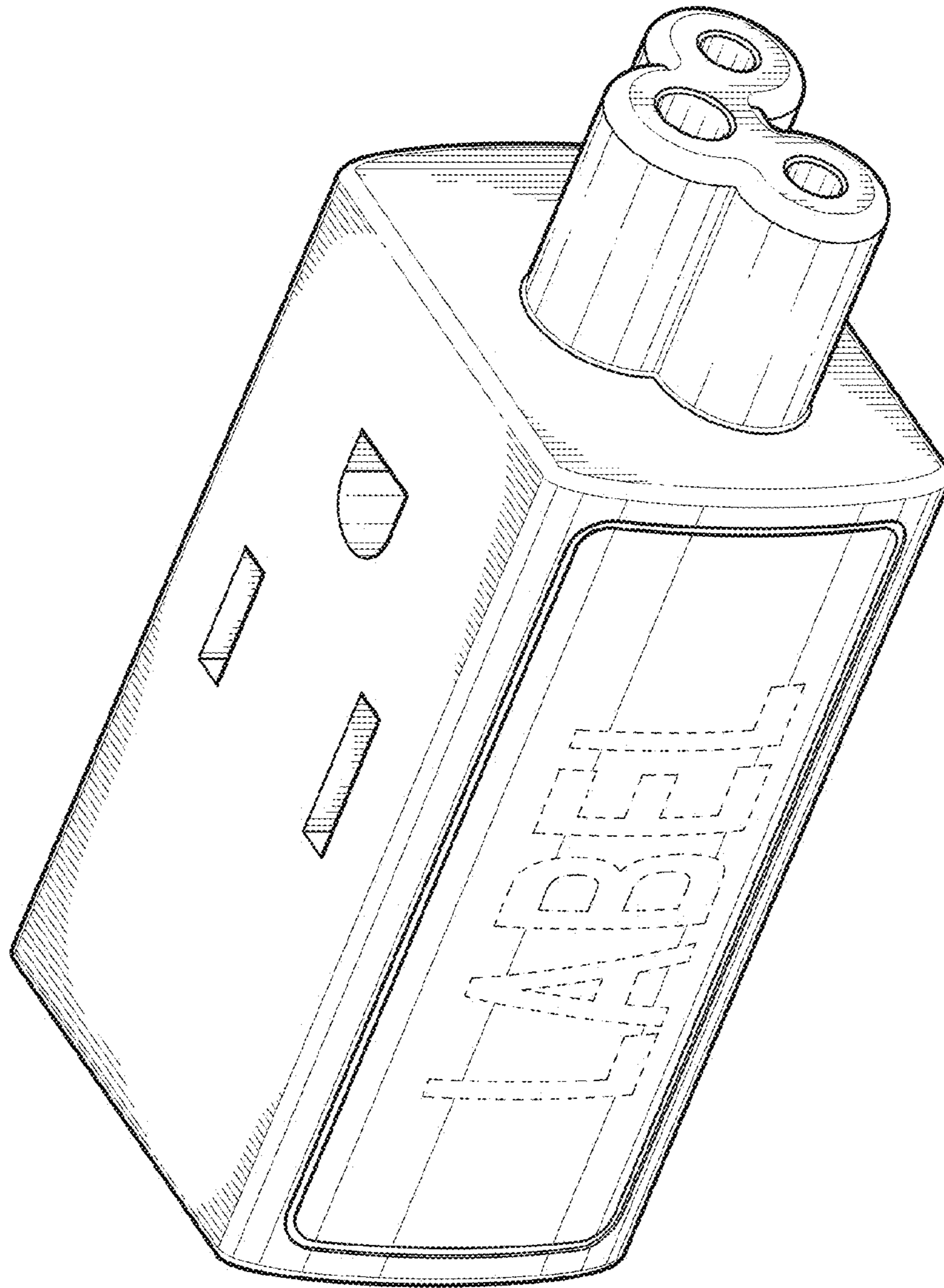


FIG. 1

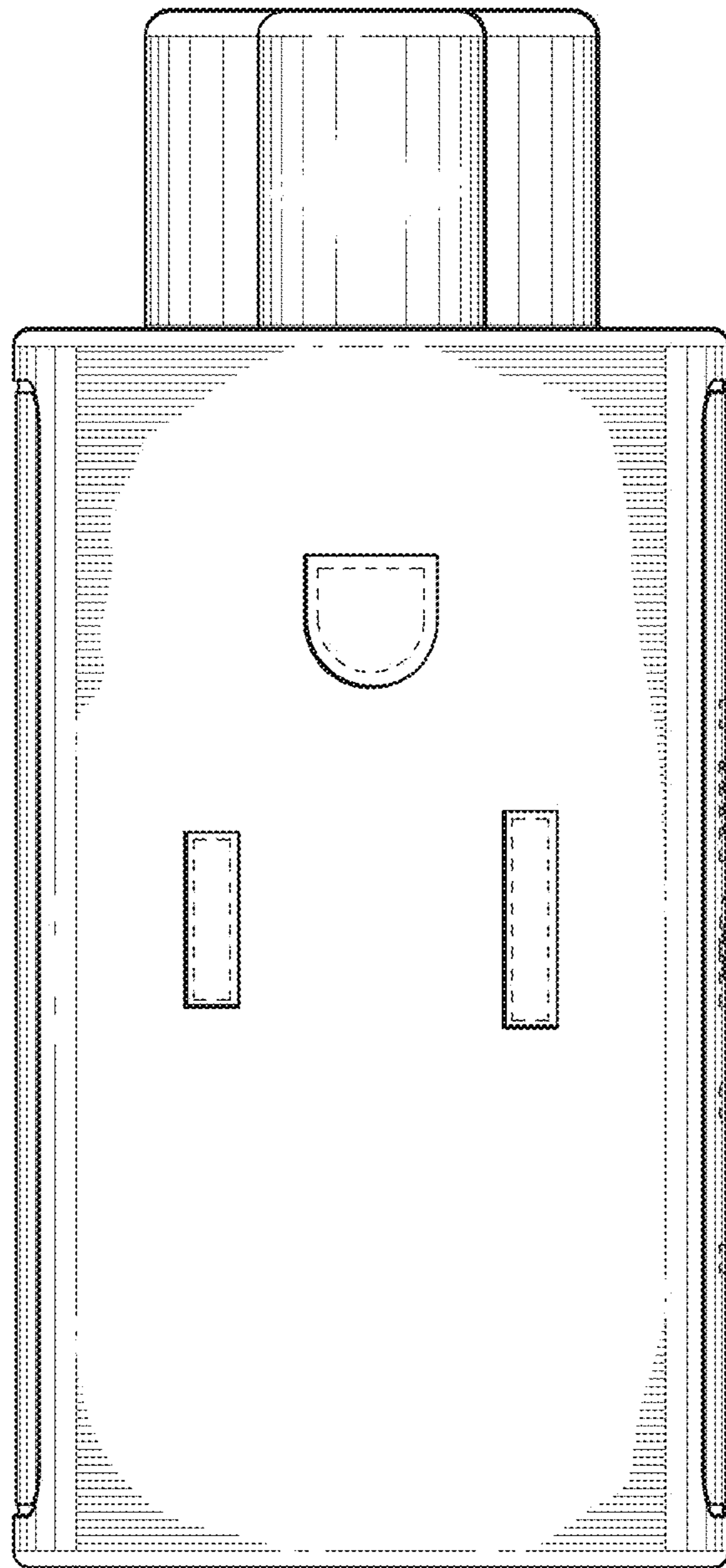


FIG. 2

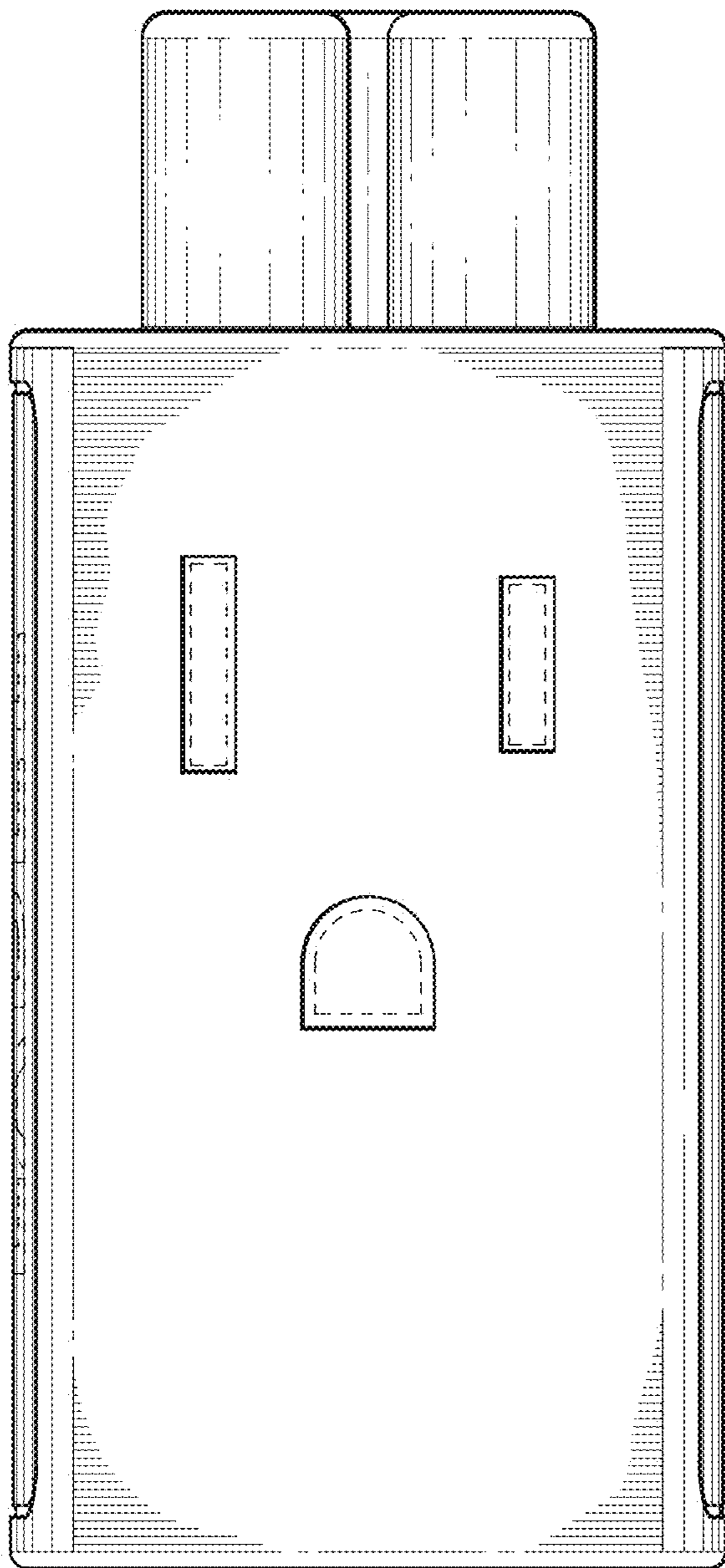


FIG. 3

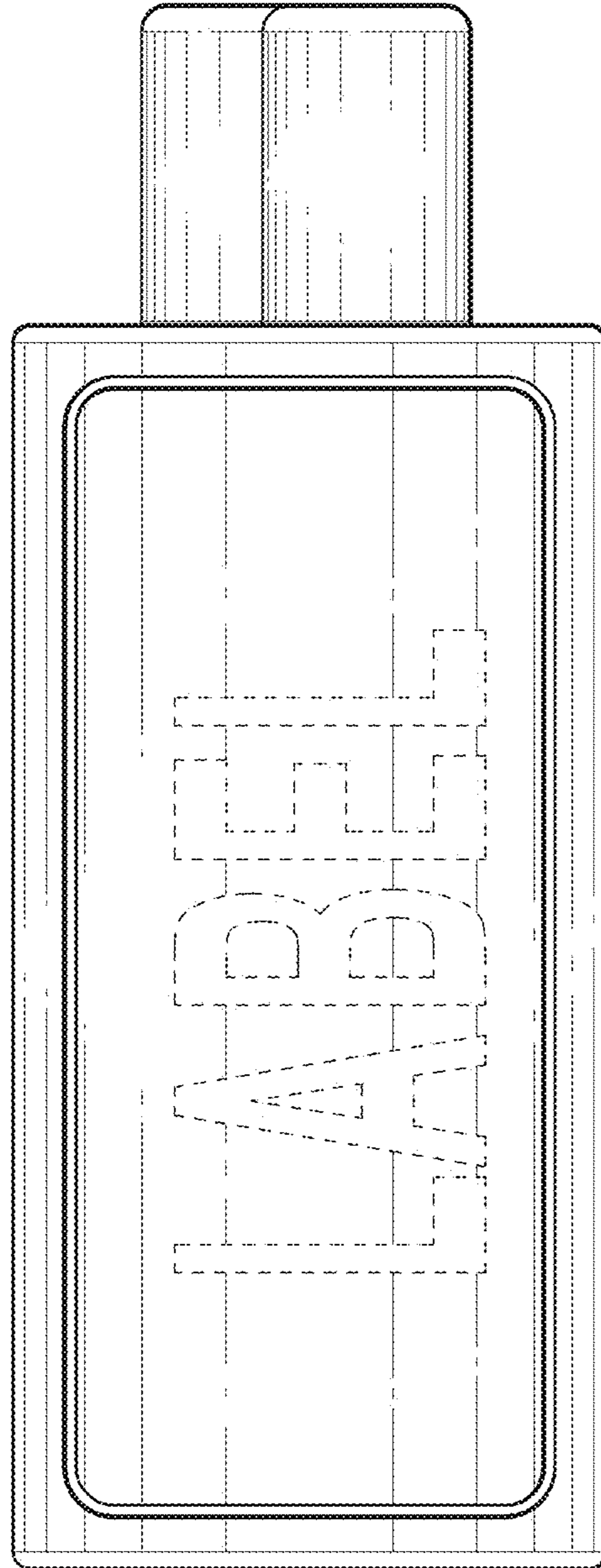


FIG. 4

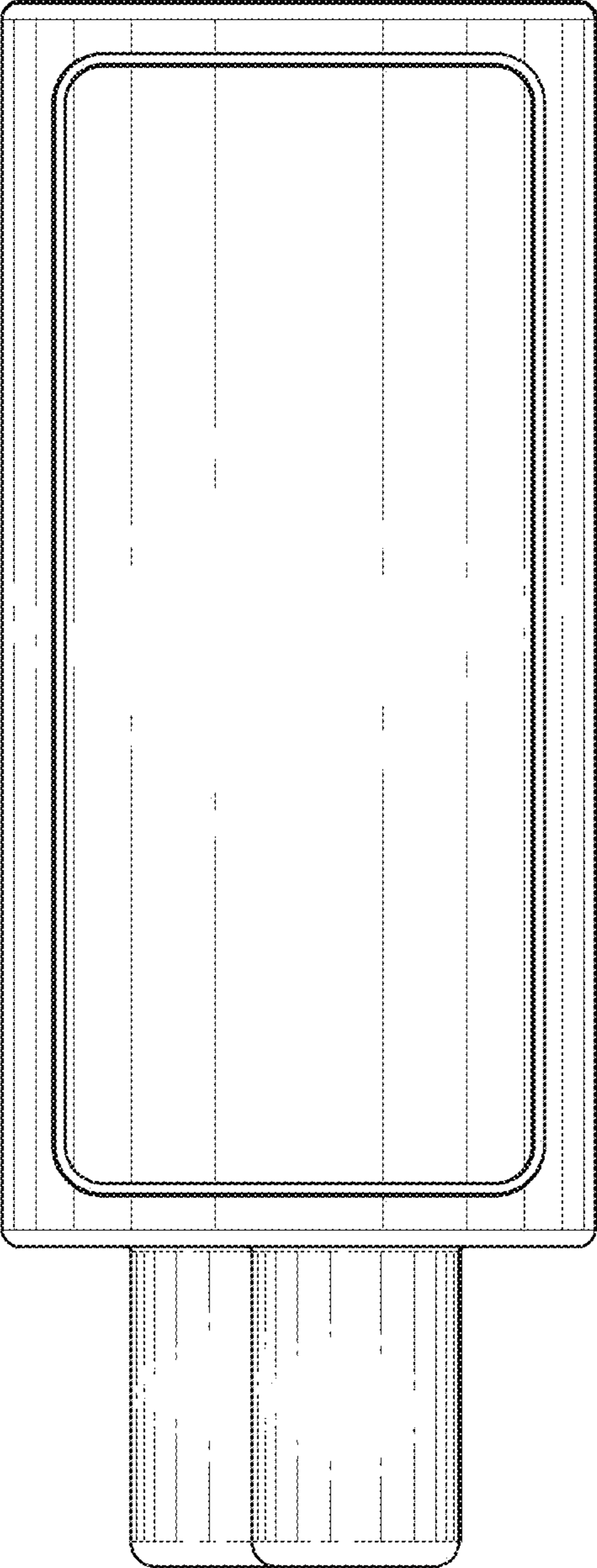


FIG. 5

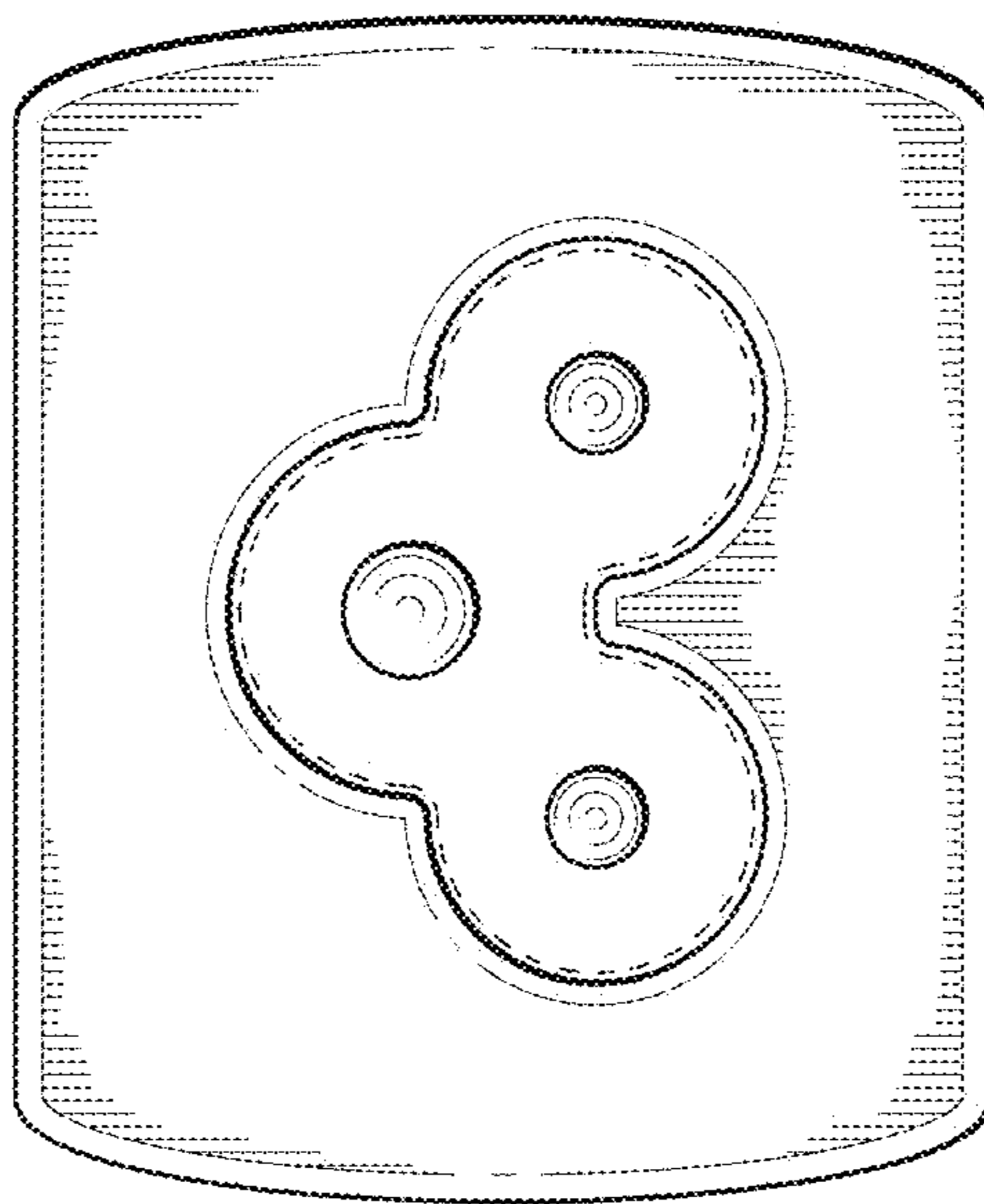


FIG. 6

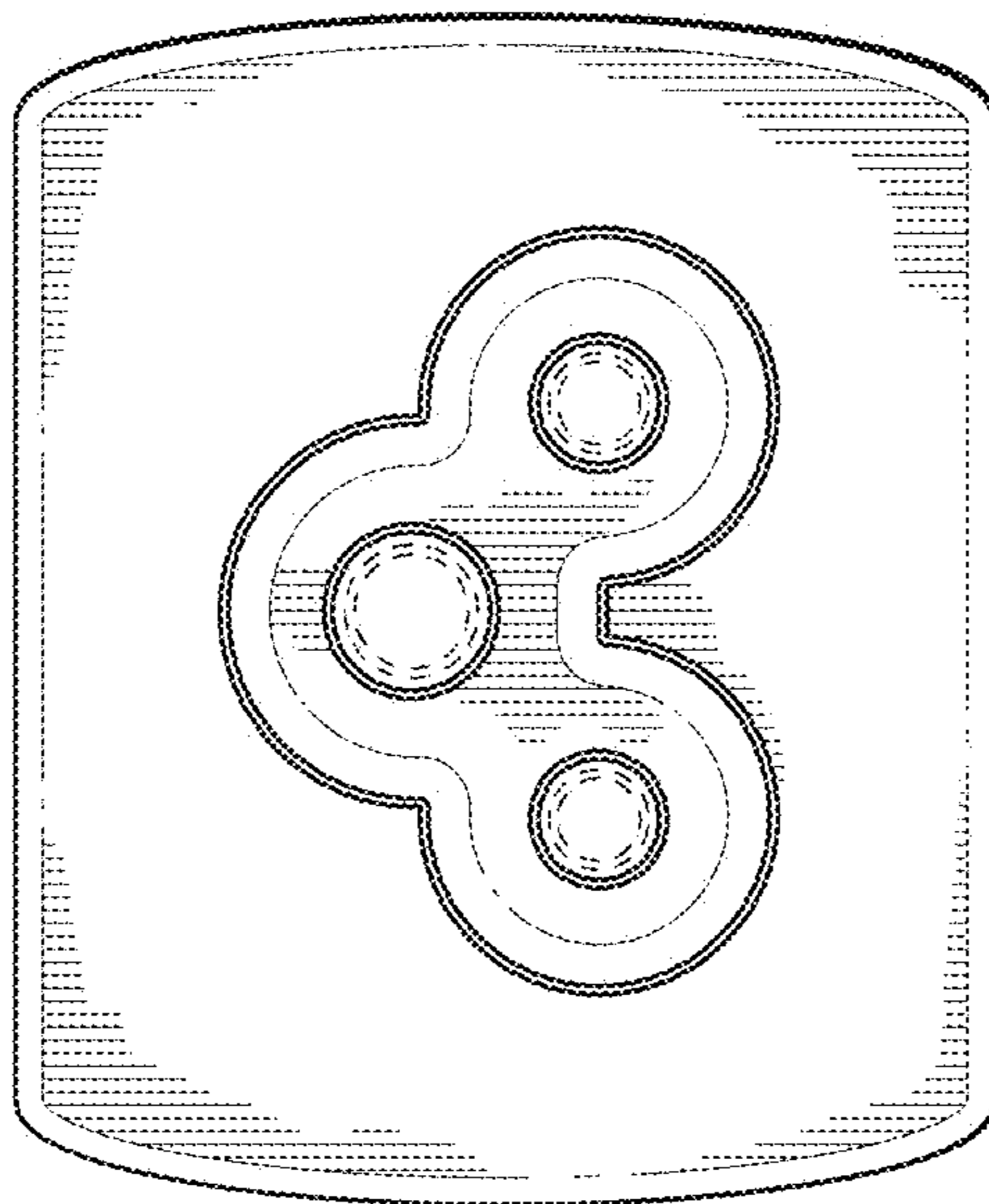


FIG. 7

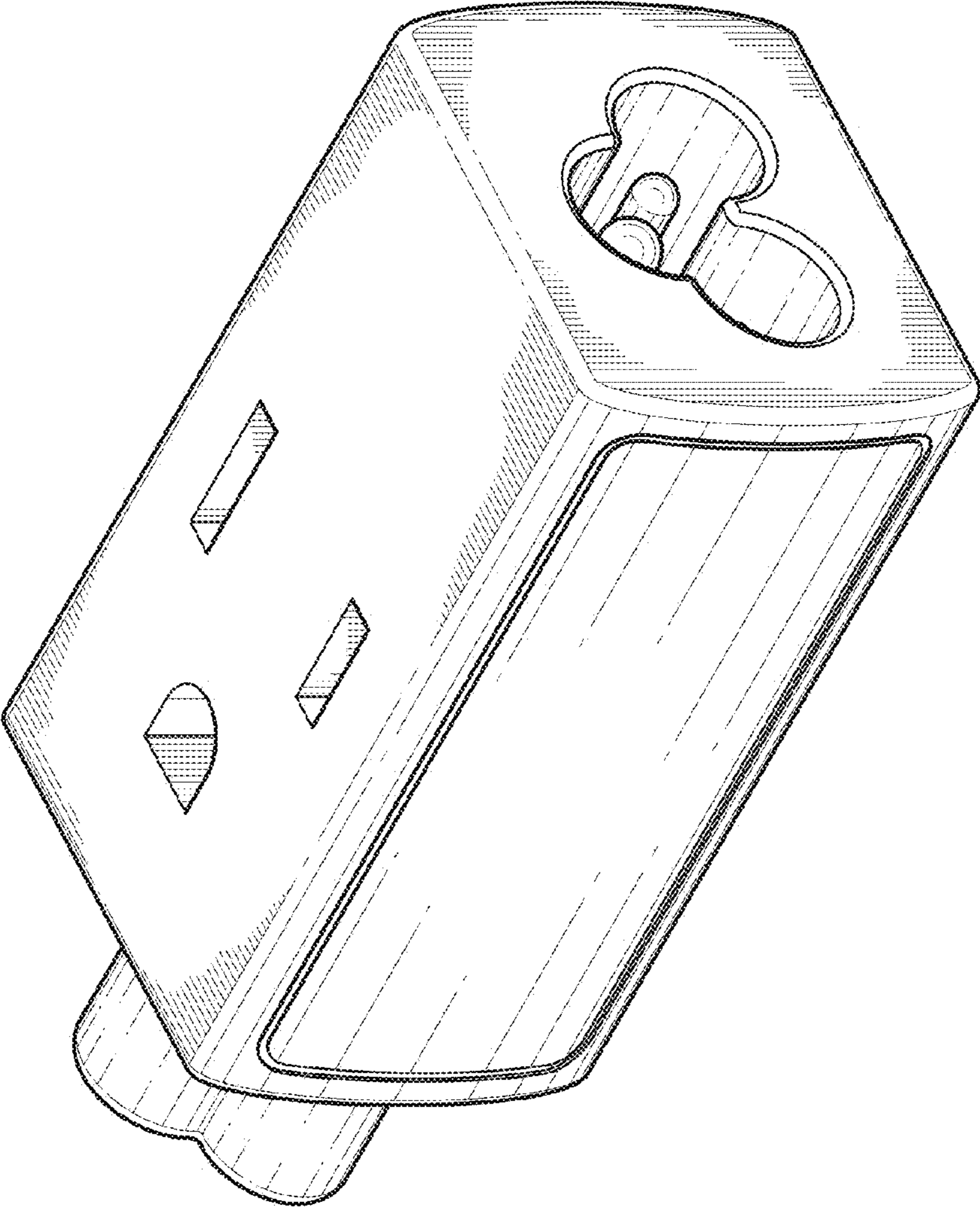


FIG. 8