



US00D746231S

(12) **United States Design Patent**
Uno et al.

(10) **Patent No.:** **US D746,231 S**

(45) **Date of Patent:** **** Dec. 29, 2015**

(54) **JACK**

(71) Applicant: **HOSIDEN CORPORATION**, Yao-shi (JP)

(72) Inventors: **Yutaka Uno**, Yao (JP); **Yutaka Masumoto**, Yao (JP)

(73) Assignee: **HOSIDEN CORPORATION**, Yao-shi (JP)

(**) Term: **14 Years**

(21) Appl. No.: **29/476,888**

(22) Filed: **Dec. 18, 2013**

(30) **Foreign Application Priority Data**

Jul. 10, 2013 (JP) D2013-015754

(51) **LOC (10) Cl.** **13-03**

(52) **U.S. Cl.**
USPC **D13/133**

(58) **Field of Classification Search**
USPC D13/110, 120, 123, 133, 147, 154–156, D13/184, 199
CPC G02B 6/38; H01R 24/04; H01R 24/58; H01R 13/65; H01R 2103/00; H01R 13/70; H04R 29/00; H04R 3/00
See application file for complete search history.

(56) **References Cited**

U.S. PATENT DOCUMENTS

6,270,380	B1 *	8/2001	Shichida et al.	439/669
D451,472	S *	12/2001	Suzuki	D13/133
D507,531	S *	7/2005	Suzuki	D13/133
D513,354	S *	12/2005	Okada	D34/31
D533,504	S *	12/2006	Lee	D13/133
D533,835	S *	12/2006	Lee	D13/133
D534,493	S *	1/2007	Lin	D13/133
D534,494	S *	1/2007	Li	D13/133
D552,032	S *	10/2007	Peng	D13/133
D555,098	S *	11/2007	Wu et al.	D13/133
D576,101	S *	9/2008	Wu et al.	D13/133

D611,414	S *	3/2010	Huang	D13/133
D618,174	S *	6/2010	Chiang	D13/133
D632,252	S *	2/2011	Guo et al.	D13/147
D672,716	S *	12/2012	Nagata	D13/133
D672,717	S *	12/2012	Nagata	D13/133
2003/0031424	A1 *	2/2003	Ohbayashi et al.	385/75
2007/0232149	A1 *	10/2007	Tai	439/668
2007/0232150	A1 *	10/2007	Lee	439/668
2007/0249235	A1 *	10/2007	Wu	439/668
2008/0299837	A1 *	12/2008	Long et al.	439/676
2011/0068665	A1 *	3/2011	Cao	312/223.1
2011/0104956	A1 *	5/2011	Guo et al.	439/668
2014/0038467	A1 *	2/2014	Zhang	439/668

* cited by examiner

Primary Examiner — Thomas Johannes

Assistant Examiner — Shawn T Gingrich

(74) *Attorney, Agent, or Firm* — Kratz, Quintos & Hanson, LLP

(57) **CLAIM**

The ornamental design for a jack, as shown and described.

DESCRIPTION

FIG. 1 is a front elevational view of the jack according to the claimed design;

FIG. 2 is a back elevational view thereof;

FIG. 3 is a top plan view thereof;

FIG. 4 is a bottom plan view thereof;

FIG. 5 is a right side elevational view thereof;

FIG. 6 is a left side elevational view thereof;

FIG. 7 is a top, front, and right side perspective view thereof;

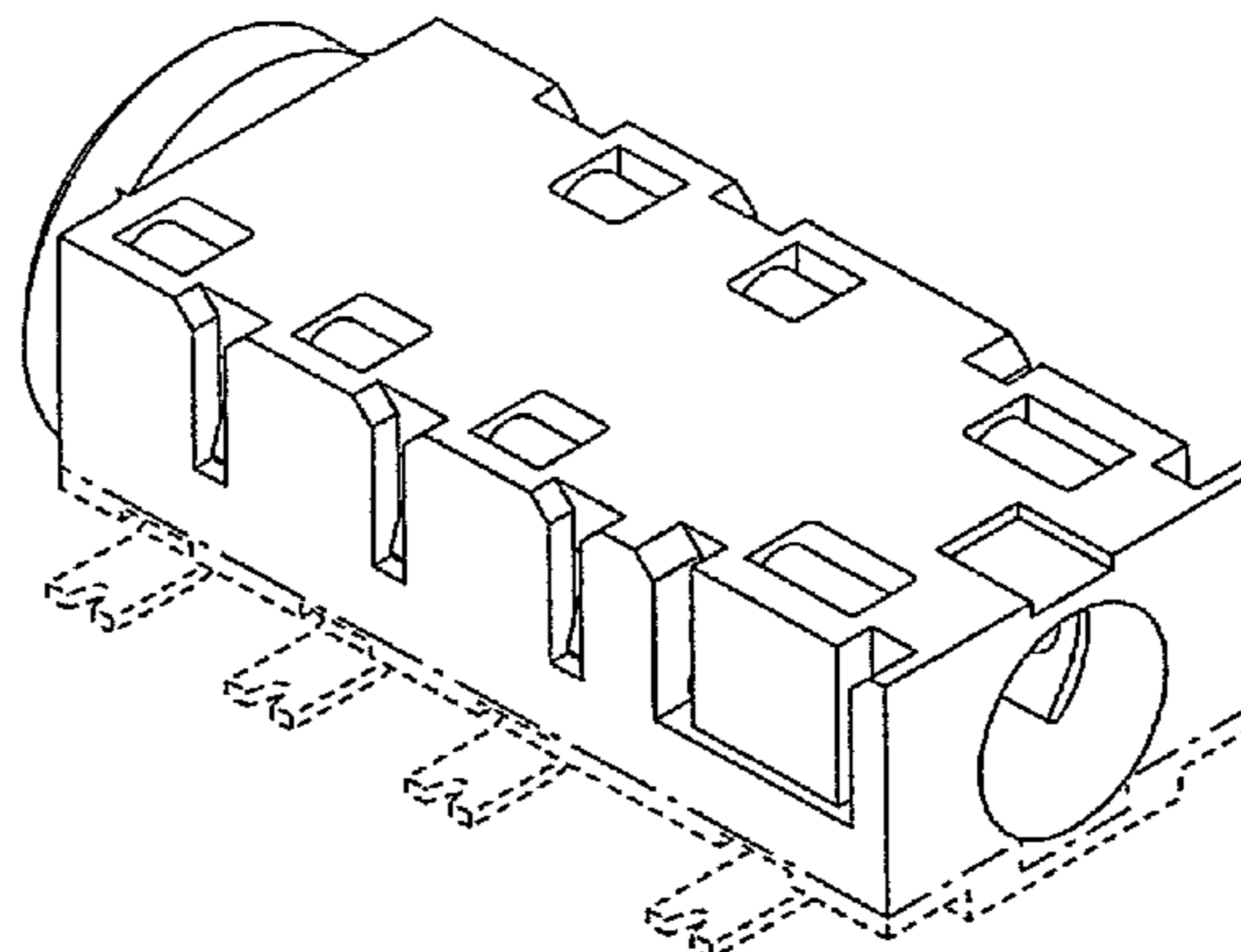
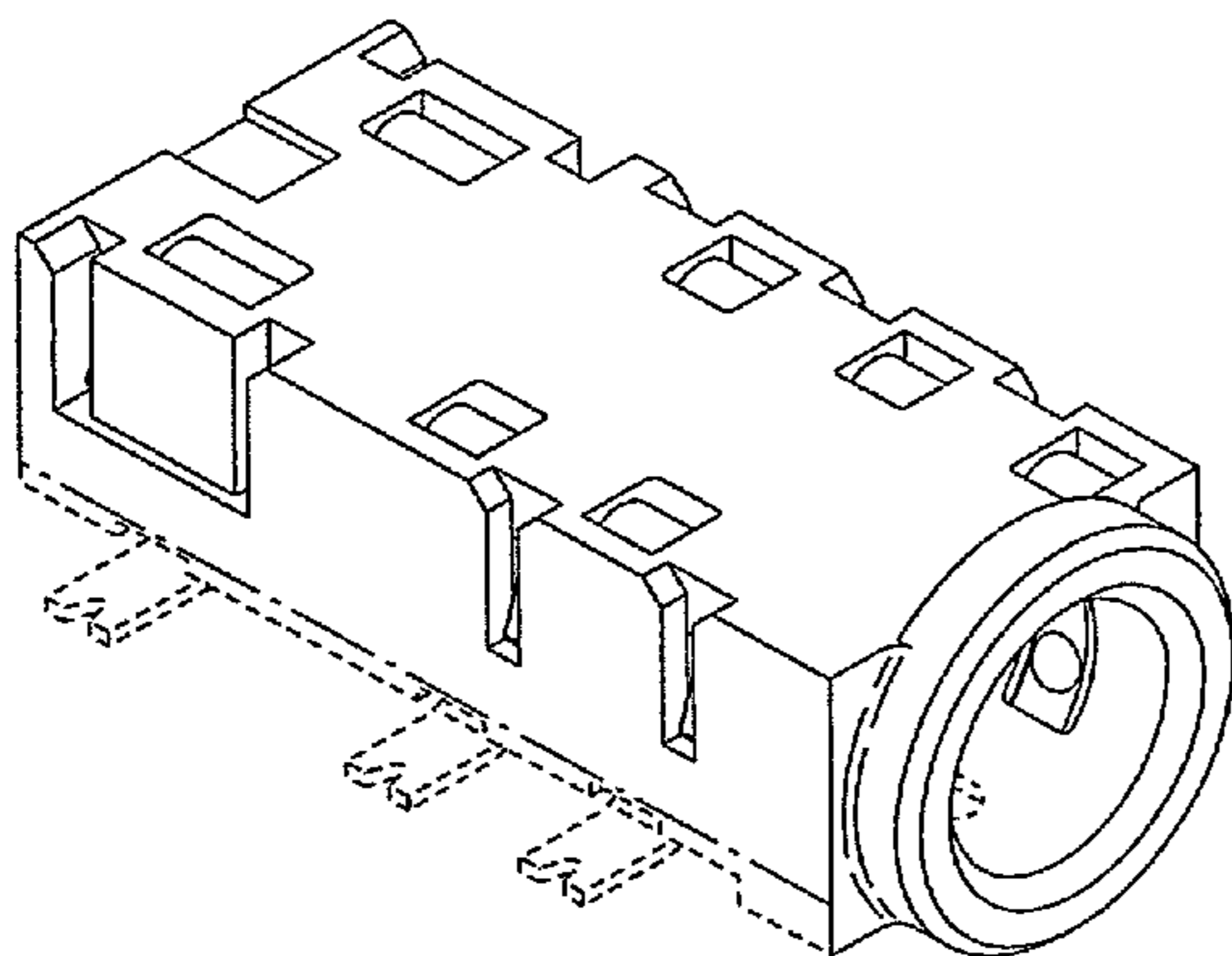
FIG. 8 is a top, front, and left side perspective view thereof;

FIG. 9 is a bottom, front, and left side perspective view thereof; and,

FIG. 10 is a bottom, back and right side perspective view thereof.

The broken lines are included for the purpose of illustrating—unclaimed—environmental structures and form no part of the claimed design, and the special dot-dash line defines the bounds of the claimed design and forms no part of the claimed design.

1 Claim, 10 Drawing Sheets



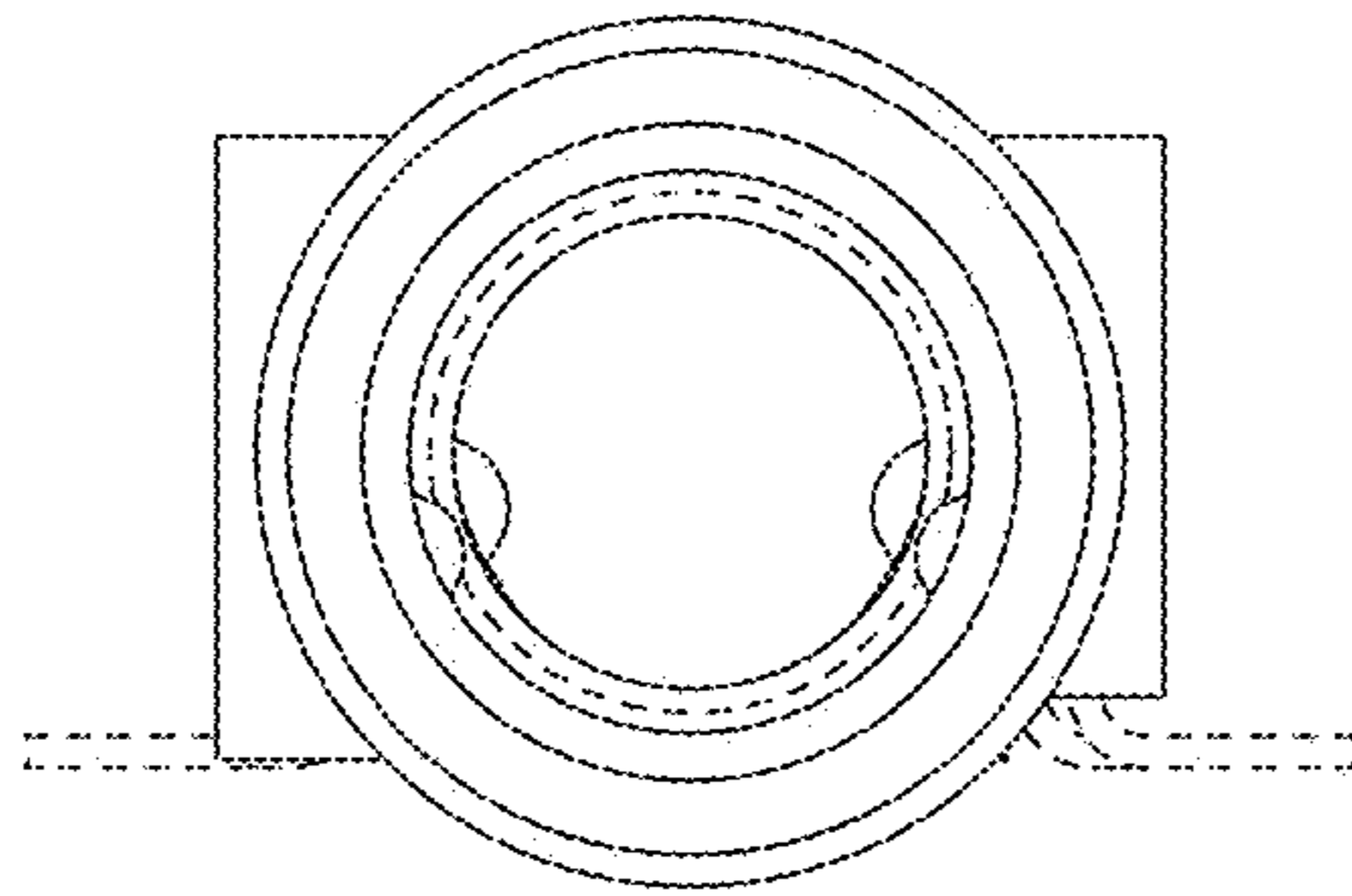


Fig.1

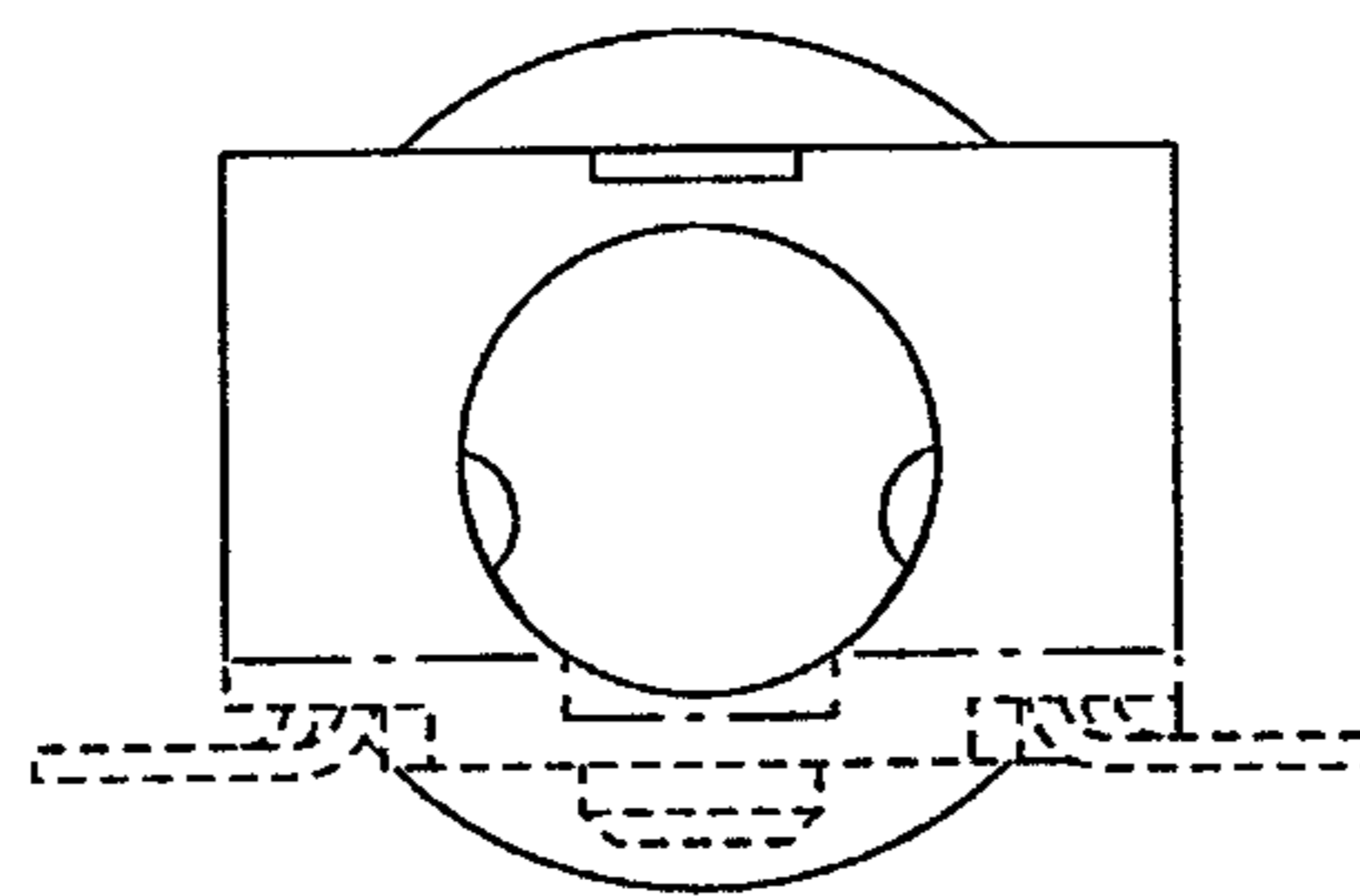


Fig.2

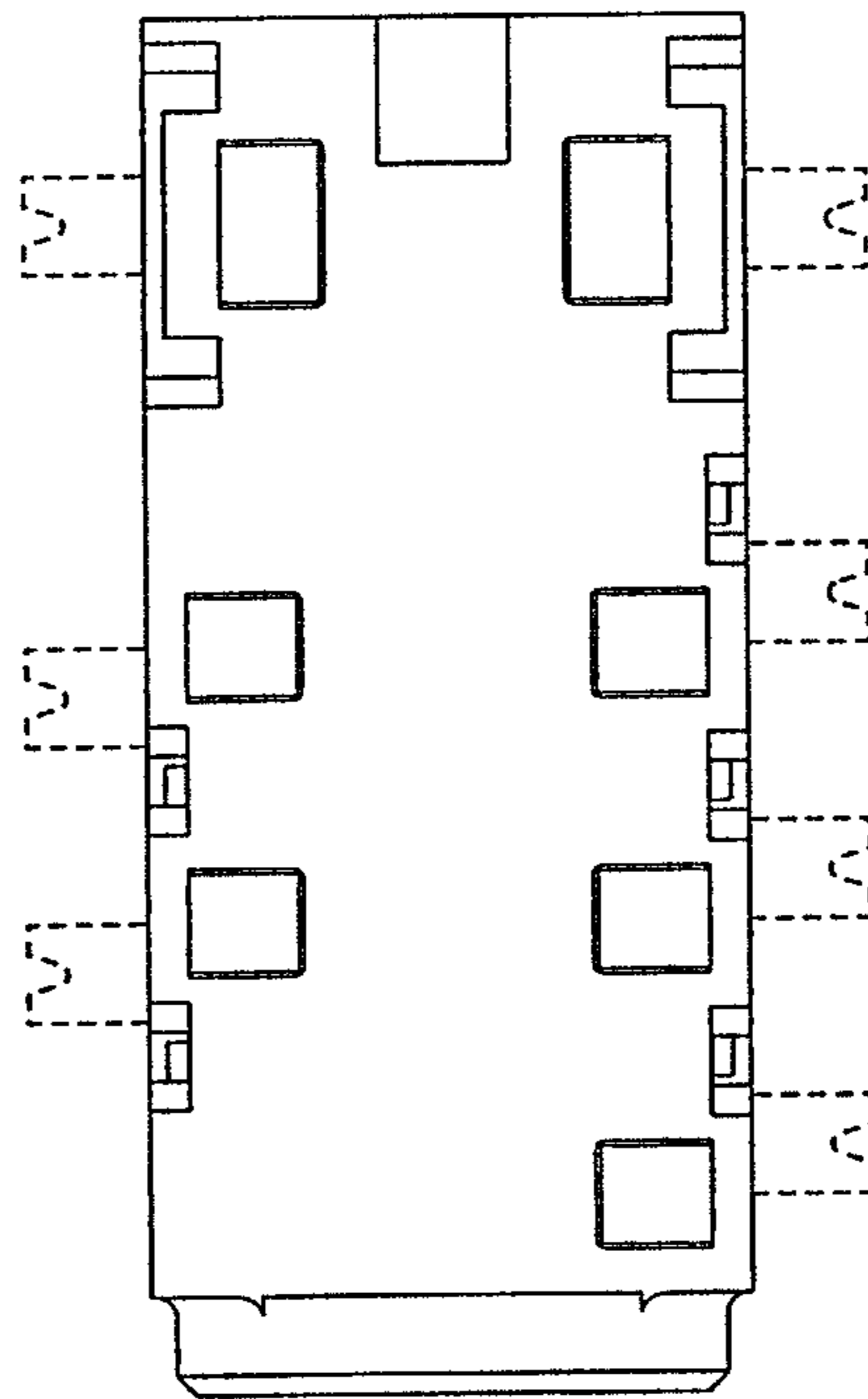


Fig.3

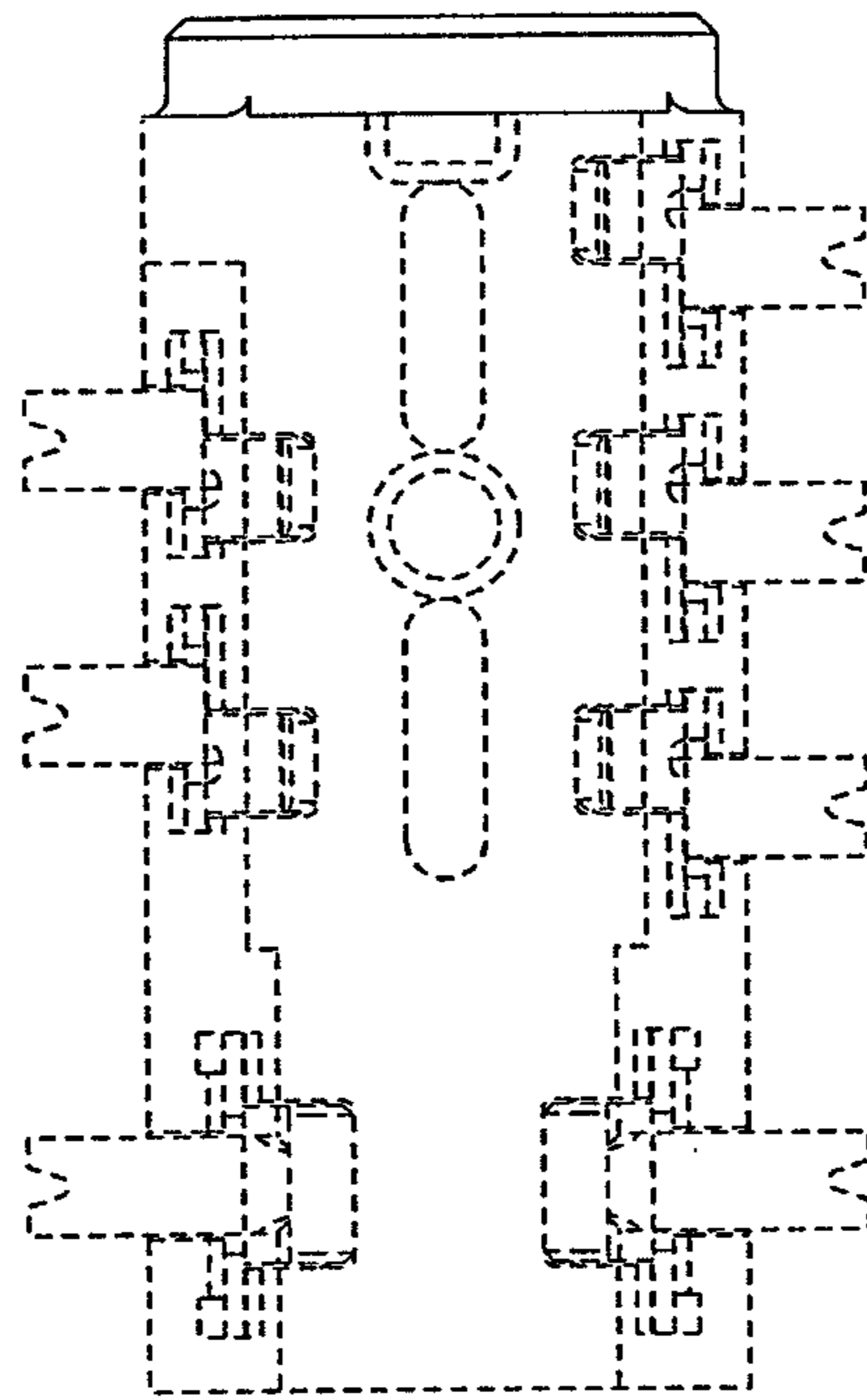


Fig.4

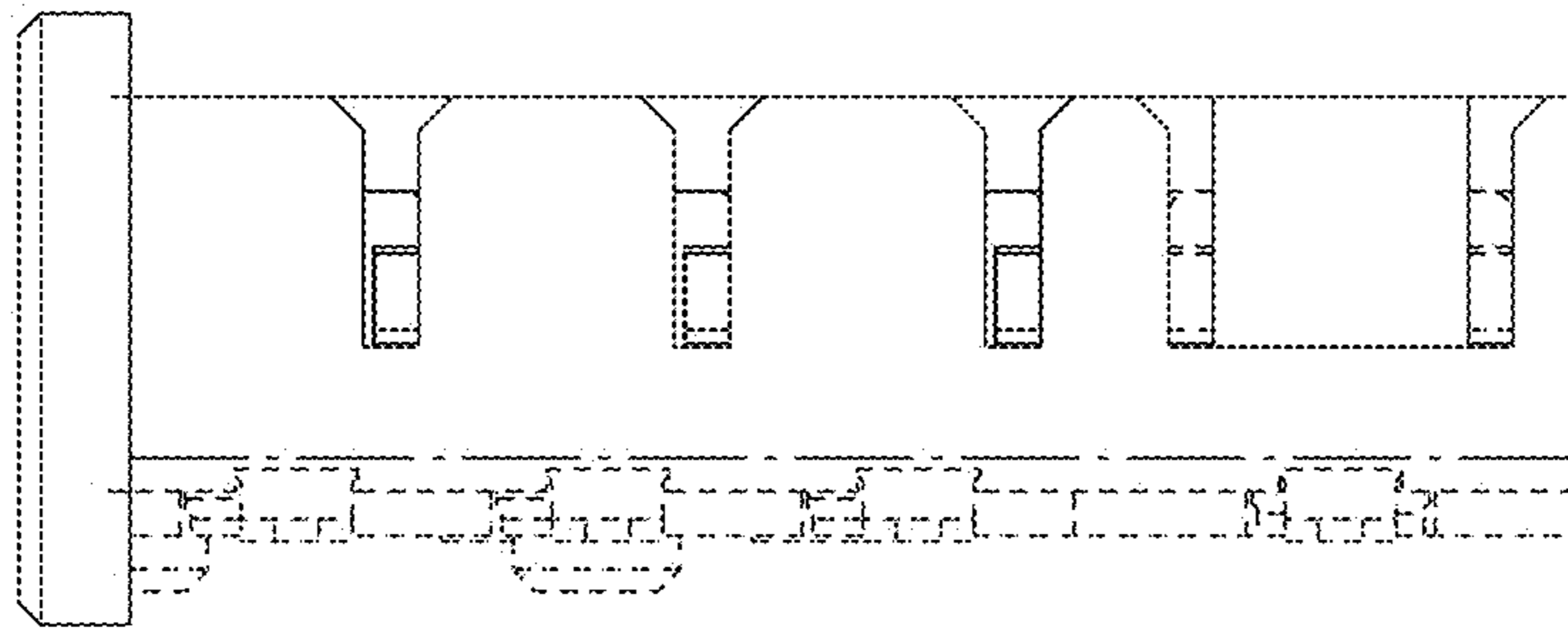


Fig.5

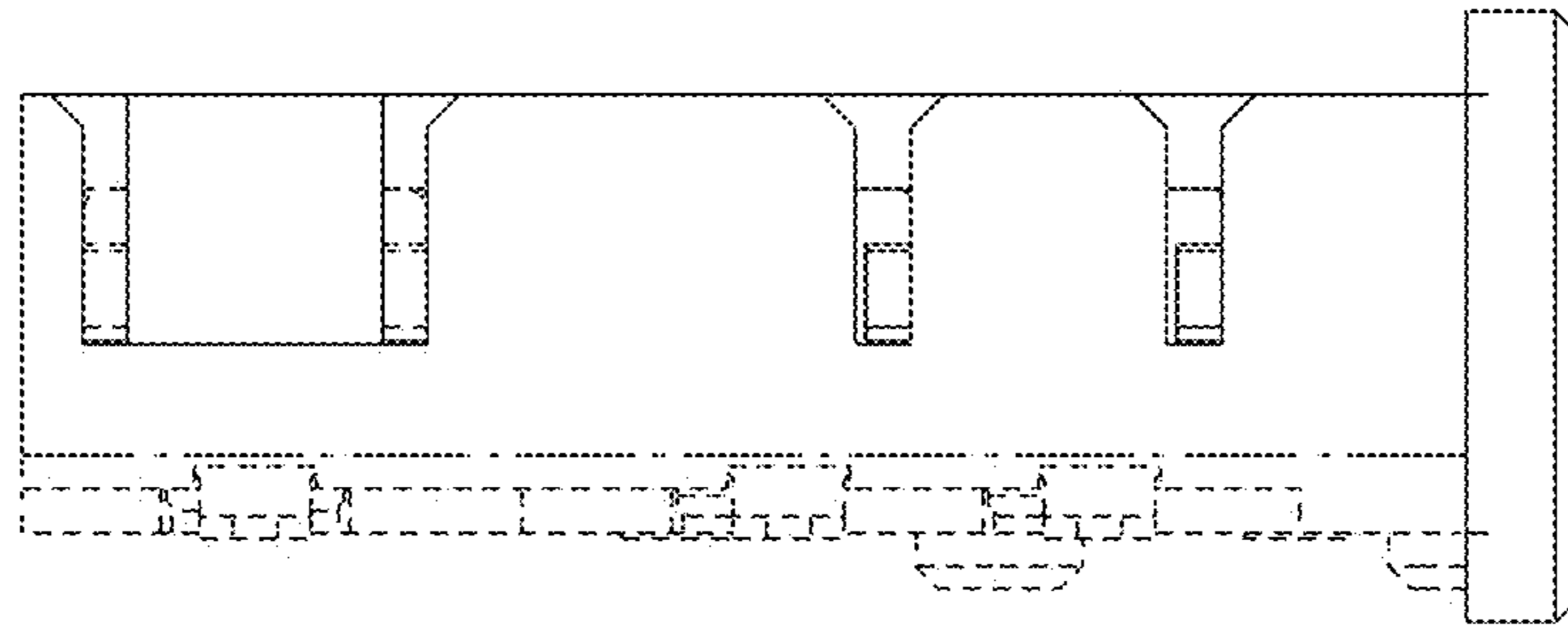


Fig.6

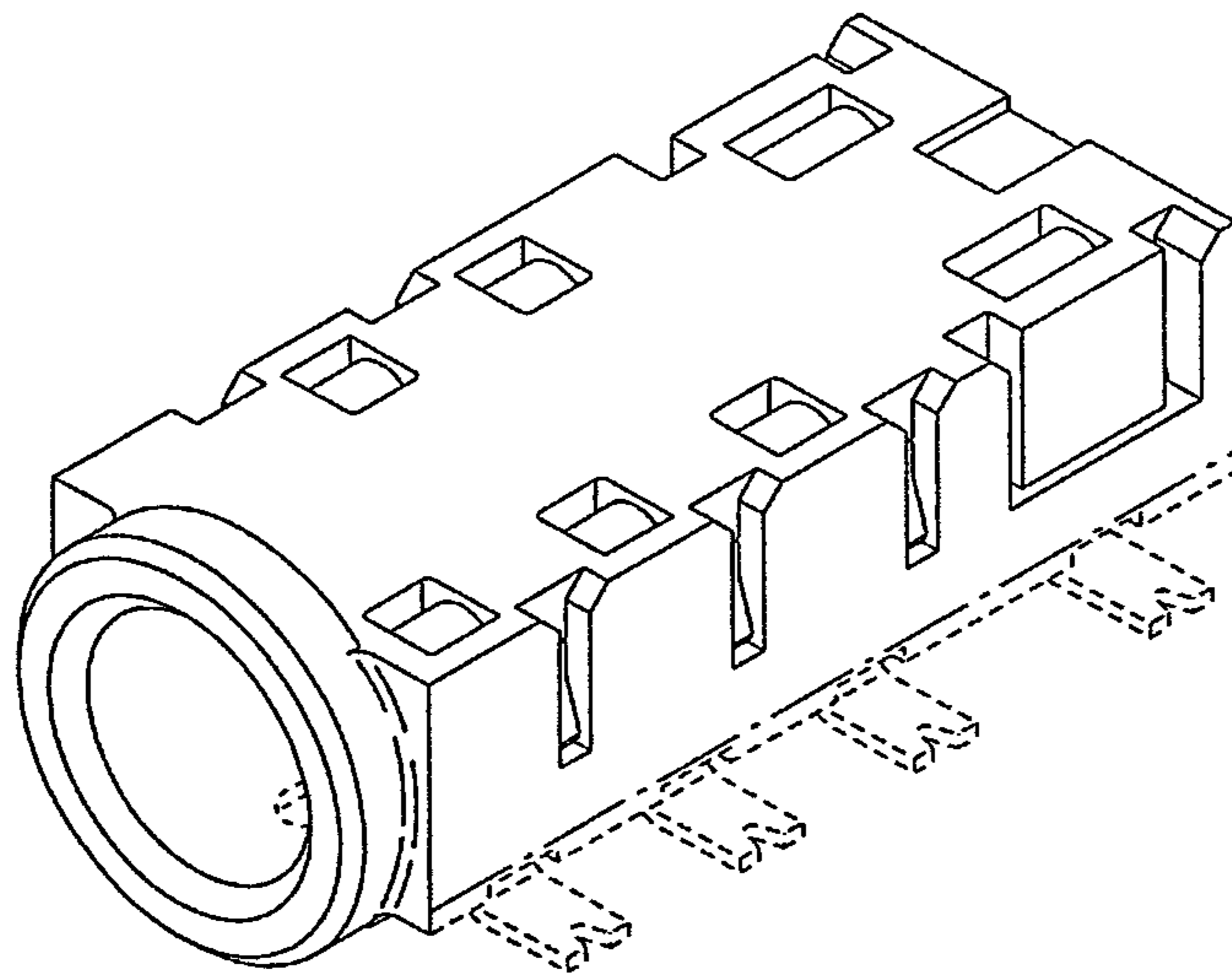


Fig.7

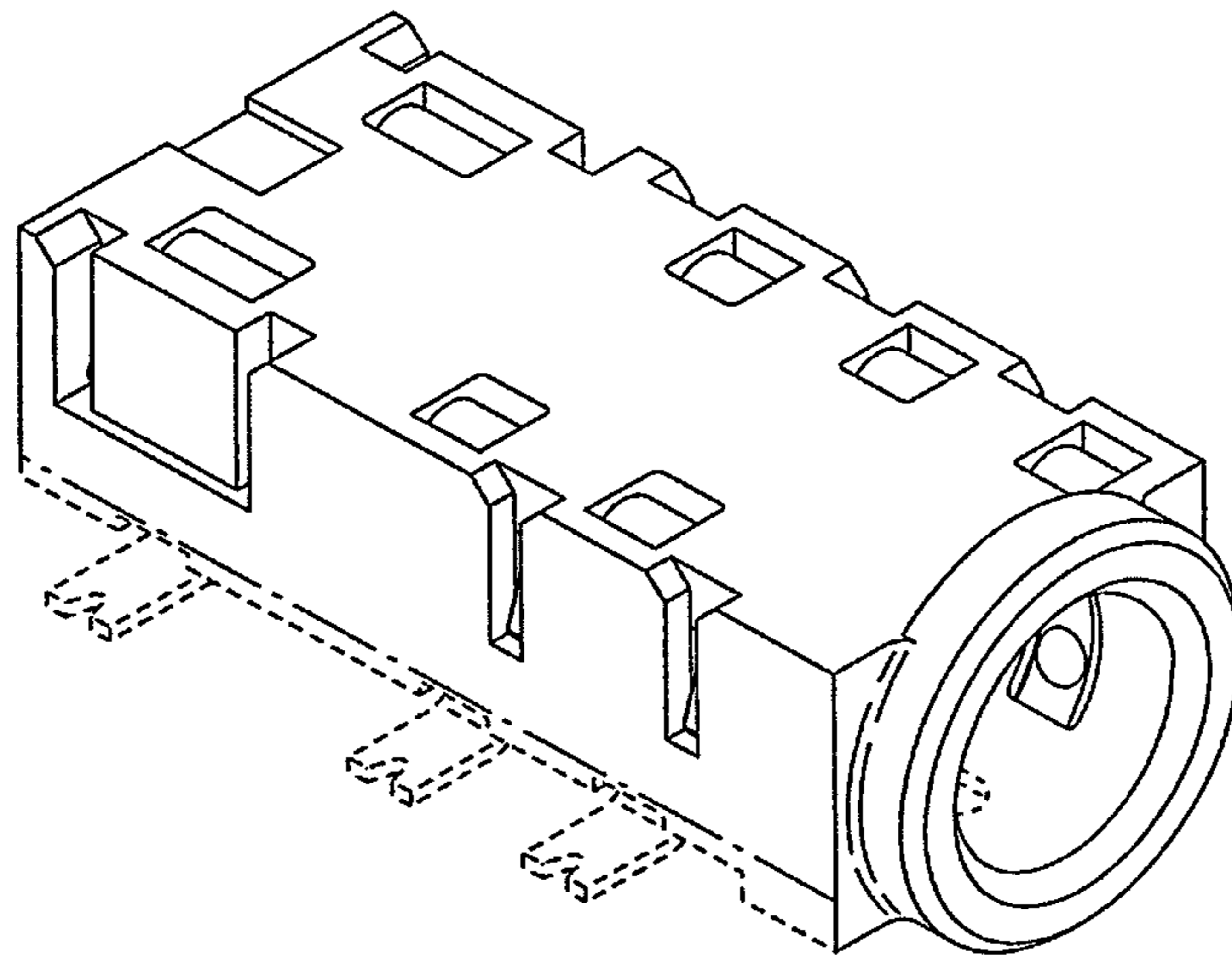


Fig.8

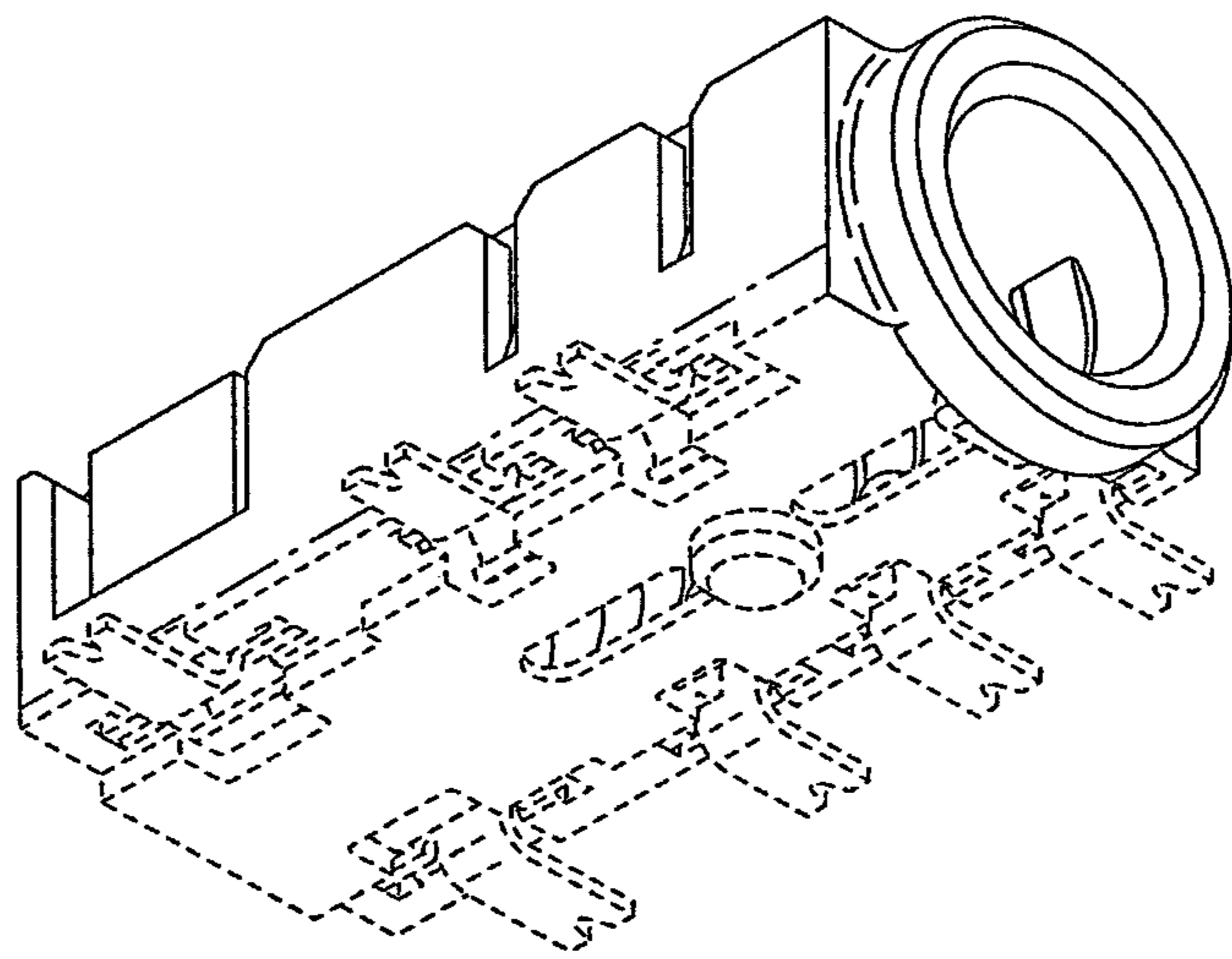


Fig.9

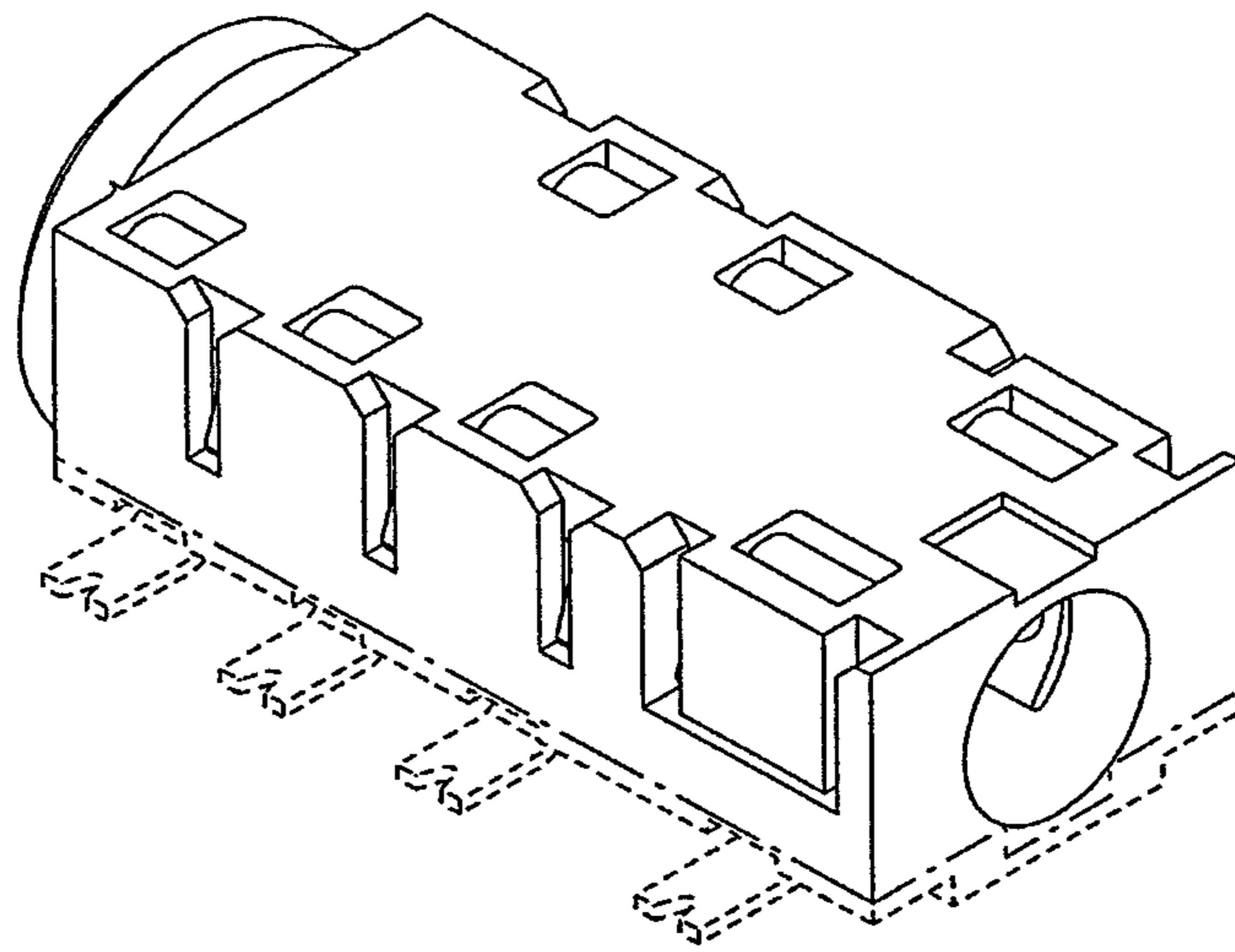


Fig.10