



US00D746230S

(12) **United States Design Patent**
Hanses

(10) **Patent No.:** **US D746,230 S**

(45) **Date of Patent:** **** Dec. 29, 2015**

(54) **BATTERY HOLDER**

(71) Applicant: **Phoenix Contact GmbH & Co. KG,**
Blomberg (DE)

(72) Inventor: **Markus Hanses,** Hoexter (DE)

(73) Assignee: **PHOENIX CONTACT GMBH & CO.**
KG, Blomberg (DE)

(**) Term: **14 Years**

(21) Appl. No.: **29/481,808**

(22) Filed: **Feb. 11, 2014**

(30) **Foreign Application Priority Data**

Aug. 13, 2013 (EM) 002290874-0001

(51) **LOC (10) Cl.** **13-02**

(52) **U.S. Cl.**
USPC **D13/119**

(58) **Field of Classification Search**

USPC D13/119, 103, 110, 118, 120, 121, 154,
D13/162; 180/68.5; 248/499, 503; 429/96,
429/100

CPC B62D 25/00; B60R 16/04
See application file for complete search history.

(56) **References Cited**

U.S. PATENT DOCUMENTS

1,459,973 A * 6/1923 Colgan 180/68.5
1,840,240 A * 1/1932 Ludewig 429/96
1,934,588 A * 11/1933 Butler 180/68.5

2,514,056 A * 7/1950 Hatfield 180/68.5
2,833,363 A * 5/1958 Henehan 180/68.5
2,849,074 A * 8/1958 Key et al. 180/68.5
RE25,480 E * 11/1963 Merkle 180/68.5
3,557,895 A * 1/1971 Thomas 180/68.5
4,317,497 A * 3/1982 Alt et al. 180/68.5
4,327,809 A * 5/1982 Fenstermaker 180/68.5
4,506,748 A * 3/1985 Thomas 180/68.5
4,520,887 A * 6/1985 DiFazio 180/68.5
D310,658 S * 9/1990 Balek D13/119
5,086,860 A * 2/1992 Francis et al. 180/68.5
5,222,711 A * 6/1993 Bell 248/503
D348,046 S * 6/1994 Hulsebus D13/119
6,439,329 B1 * 8/2002 Vaishnav et al. 180/68.5
7,014,002 B2 * 3/2006 Mizuta 180/68.5
D611,413 S * 3/2010 Brockington D13/119

* cited by examiner

Primary Examiner — Paula Greene

(74) *Attorney, Agent, or Firm* — Leydig, Voit & Mayer, Ltd.

(57) **CLAIM**

The ornamental design for battery holder, as shown and described.

DESCRIPTION

FIG. 1 is a front, left, top-side perspective view of a first embodiment of the battery holder showing my new, original and ornamental design;

FIG. 2 is a right side elevational view thereof;

FIG. 3 is a front elevational view thereof;

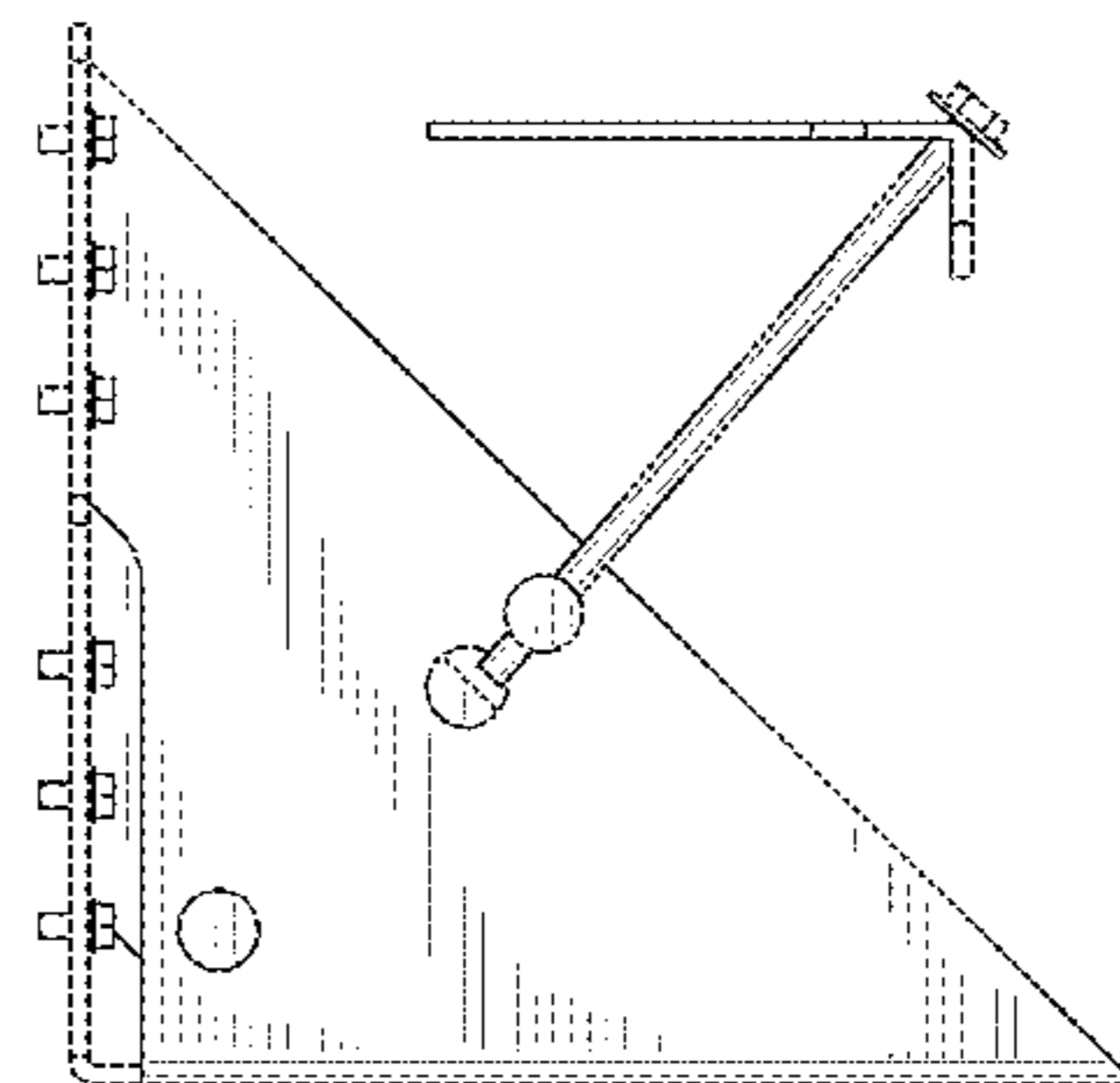
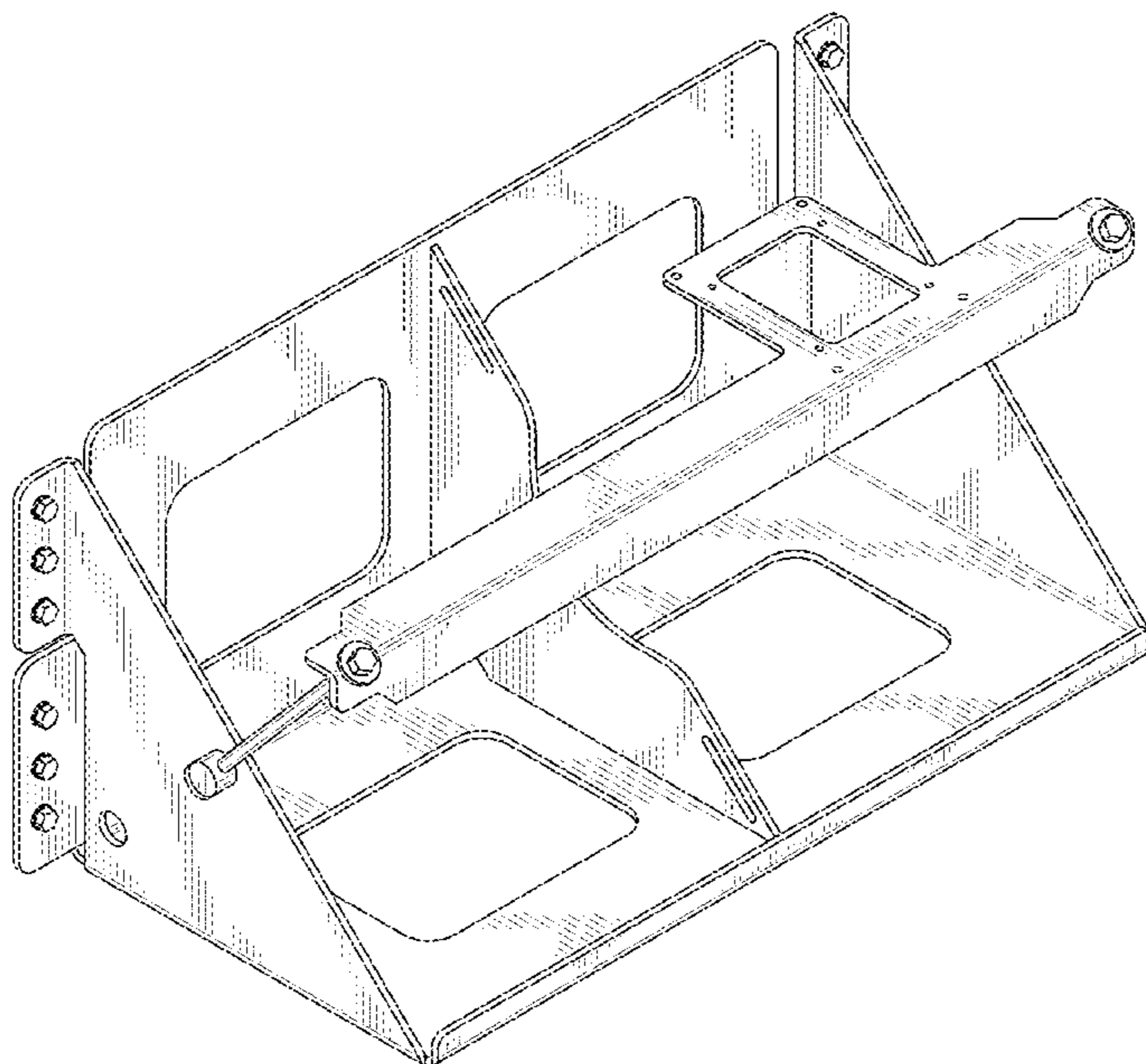
FIG. 4 is a left side elevational view thereof;

FIG. 5 is a bottom plan view thereof;

FIG. 6 is a top plan view thereof; and,

FIG. 7 is a rear elevational view thereof.

1 Claim, 6 Drawing Sheets



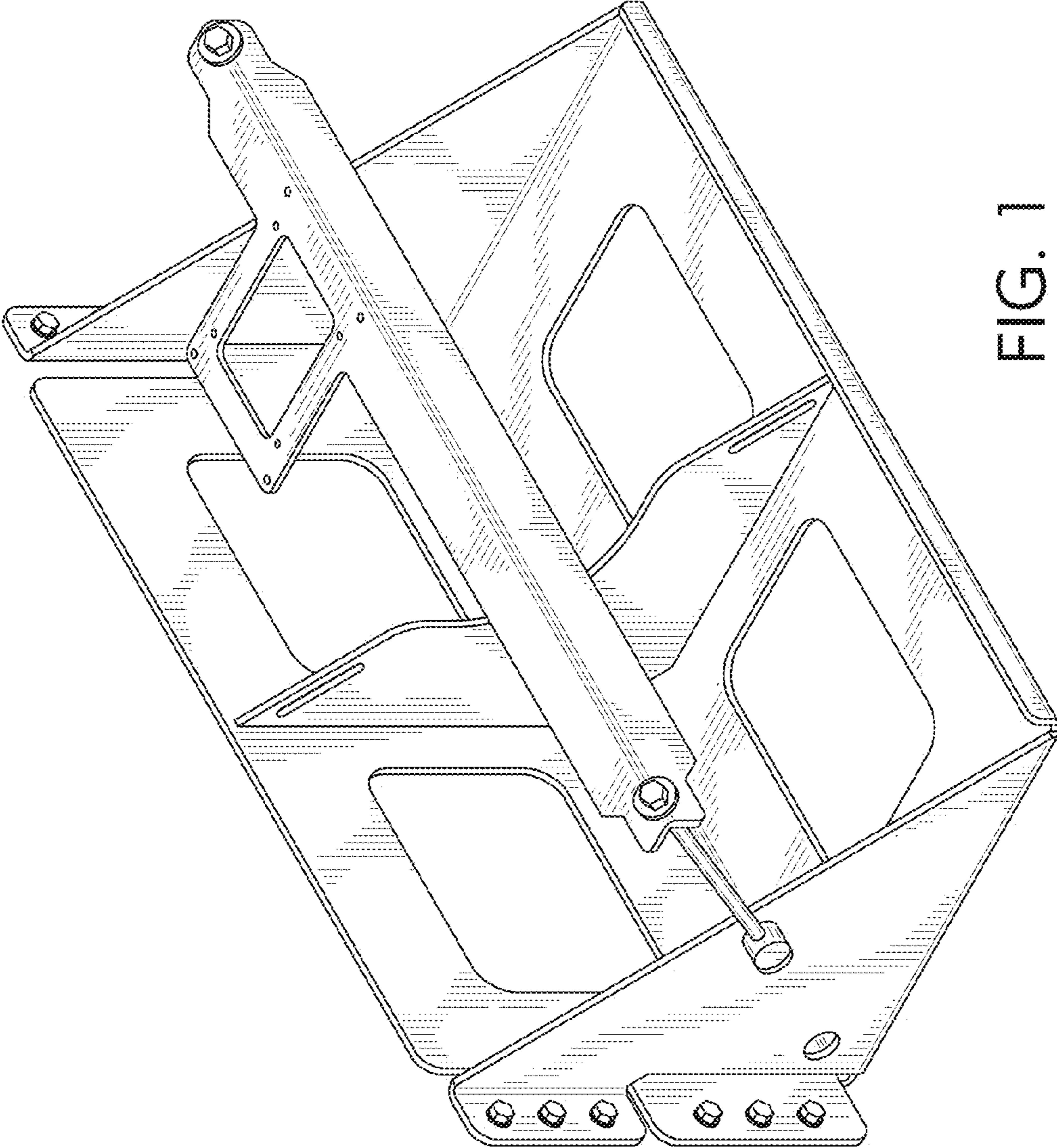


FIG. 1

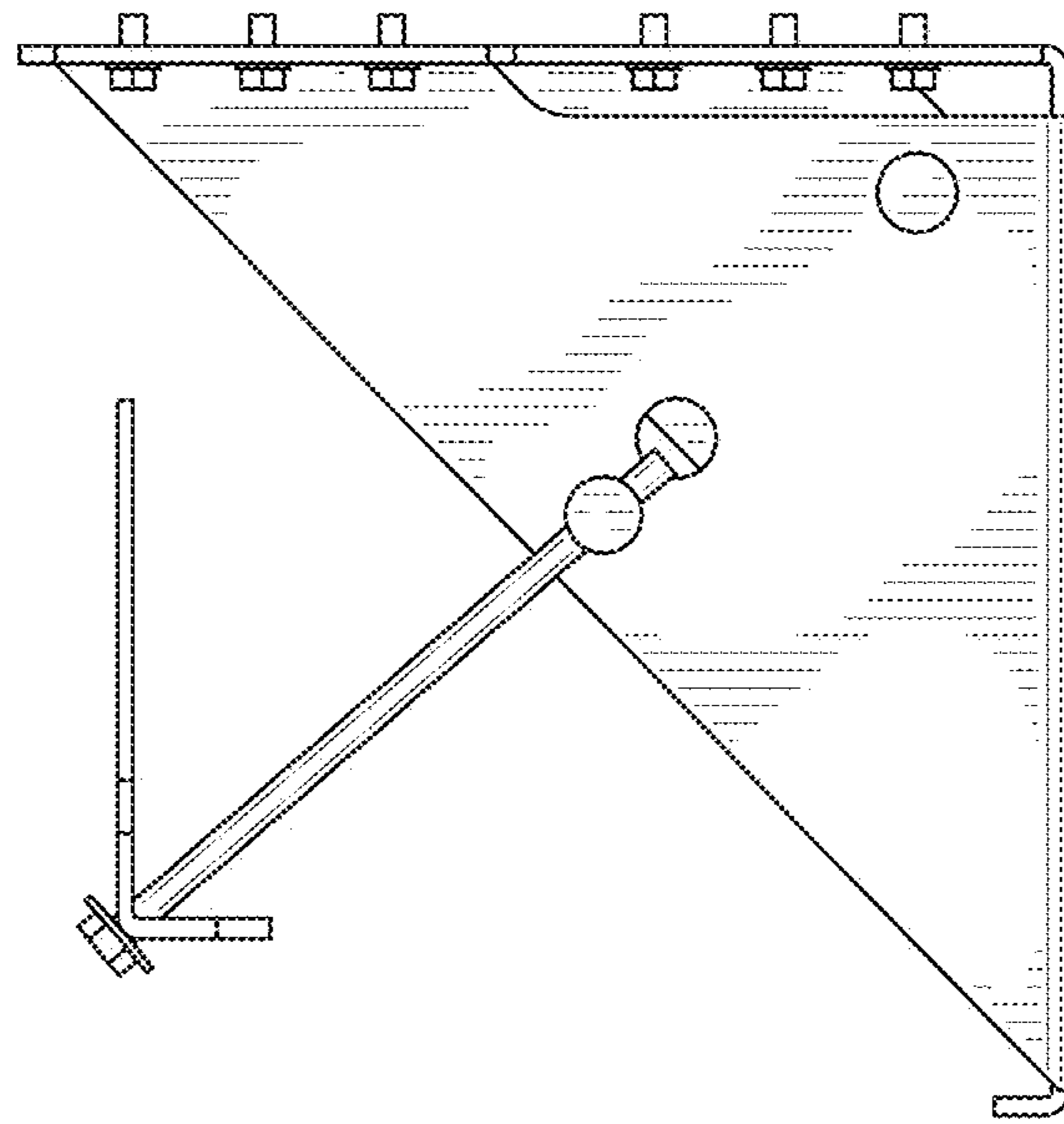


FIG. 2

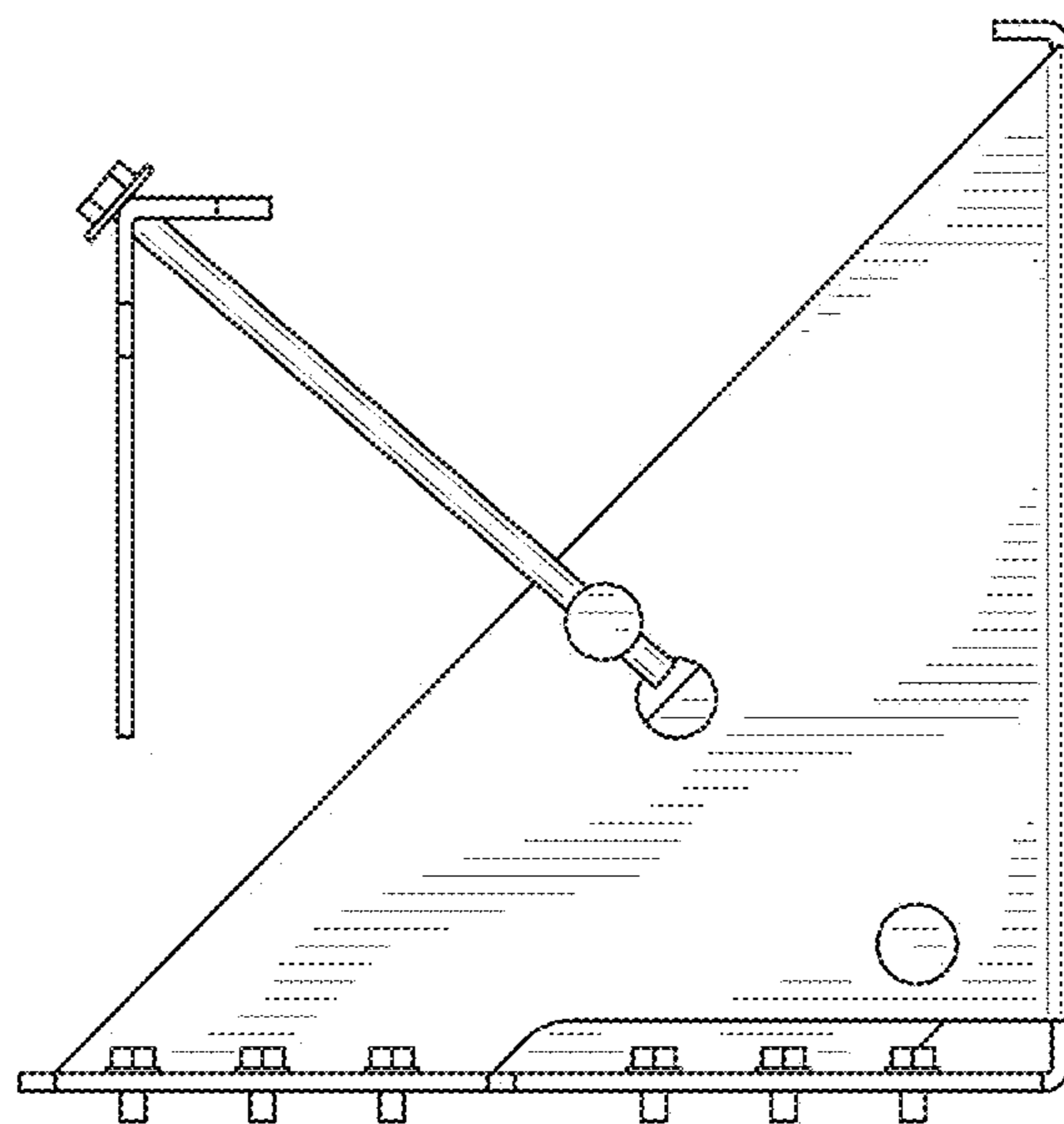


FIG. 4

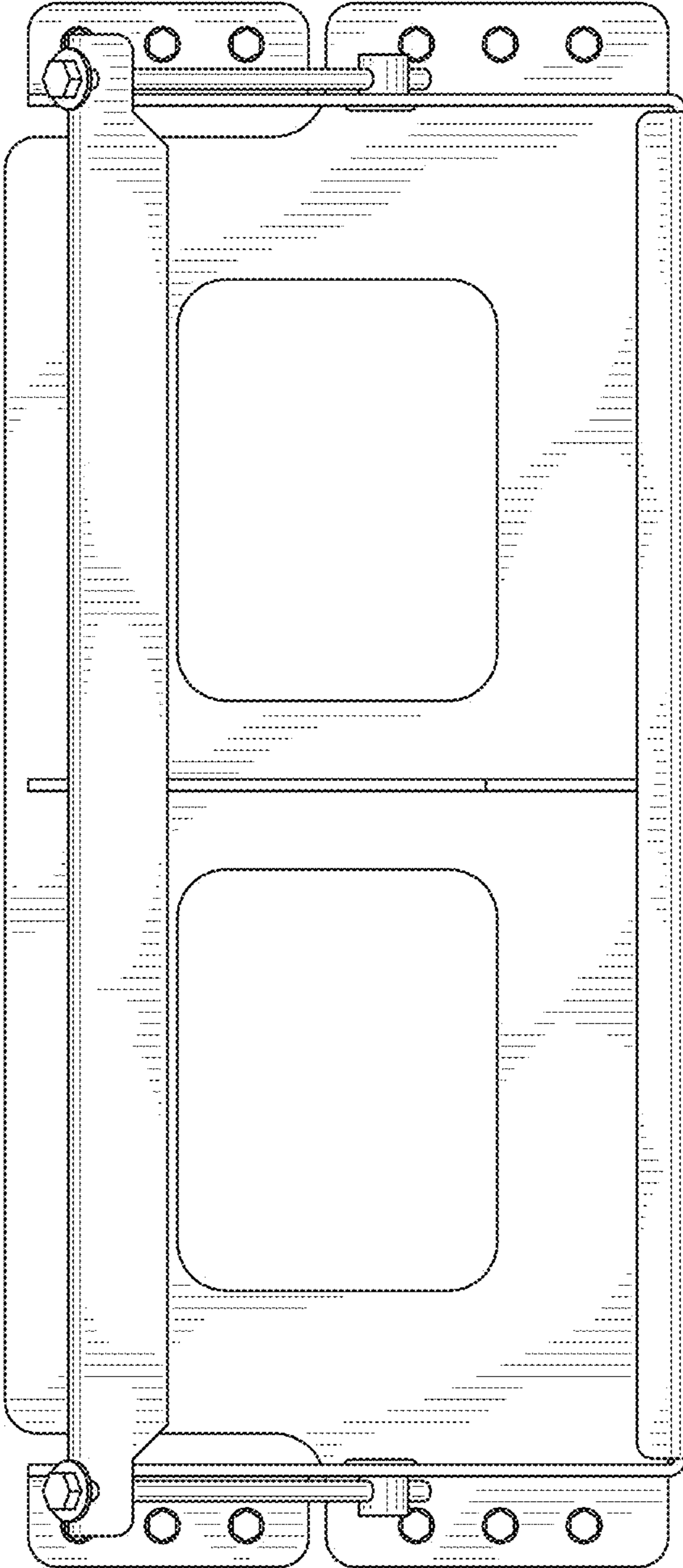


FIG. 3

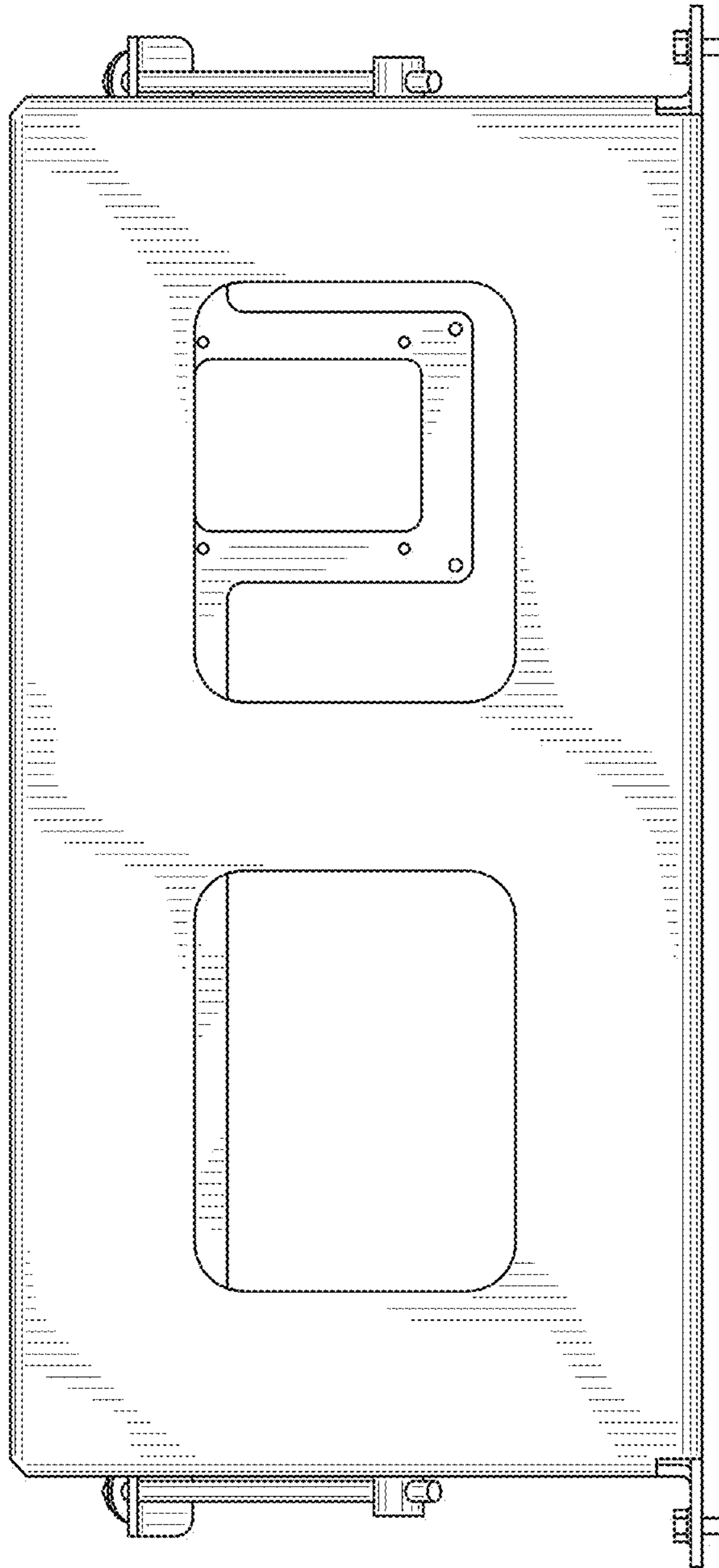


FIG. 5

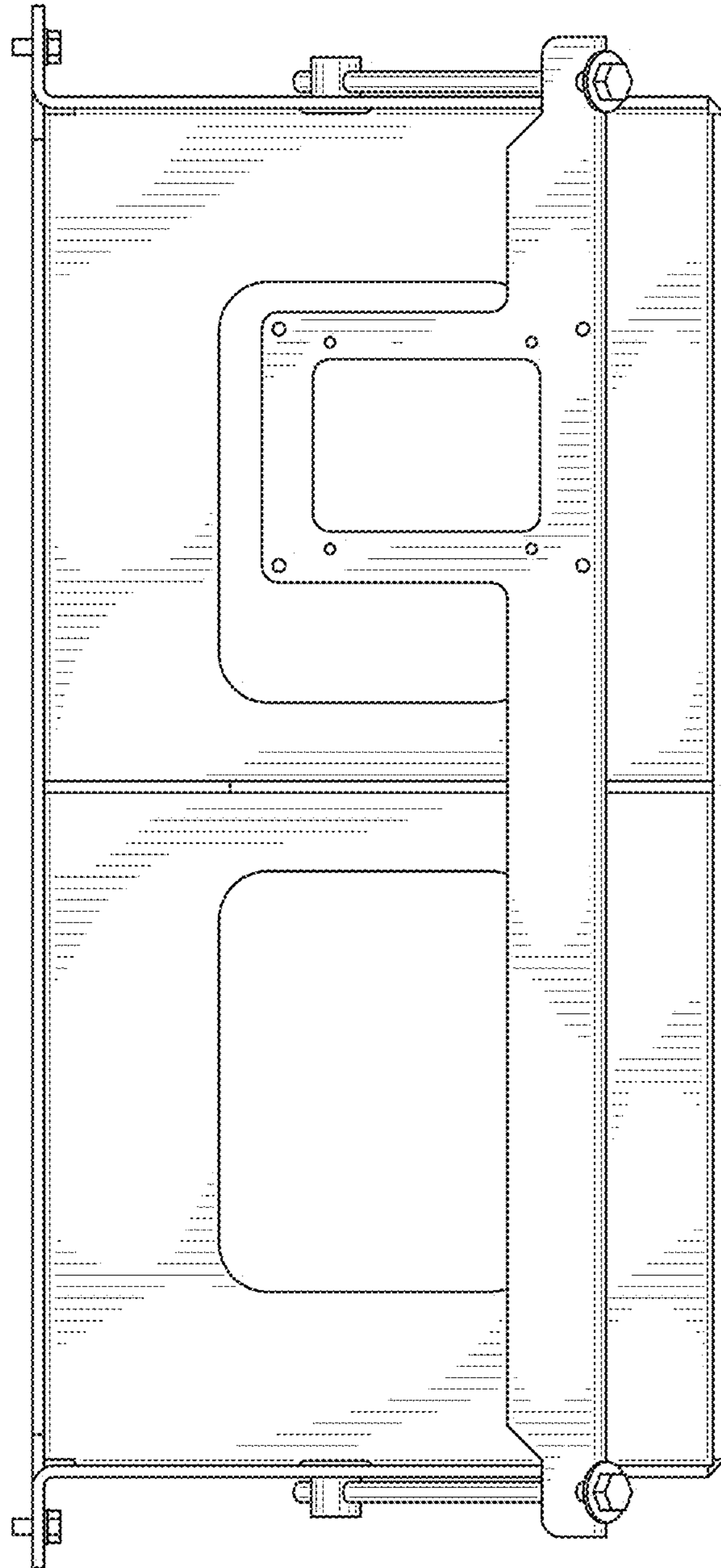


FIG. 6

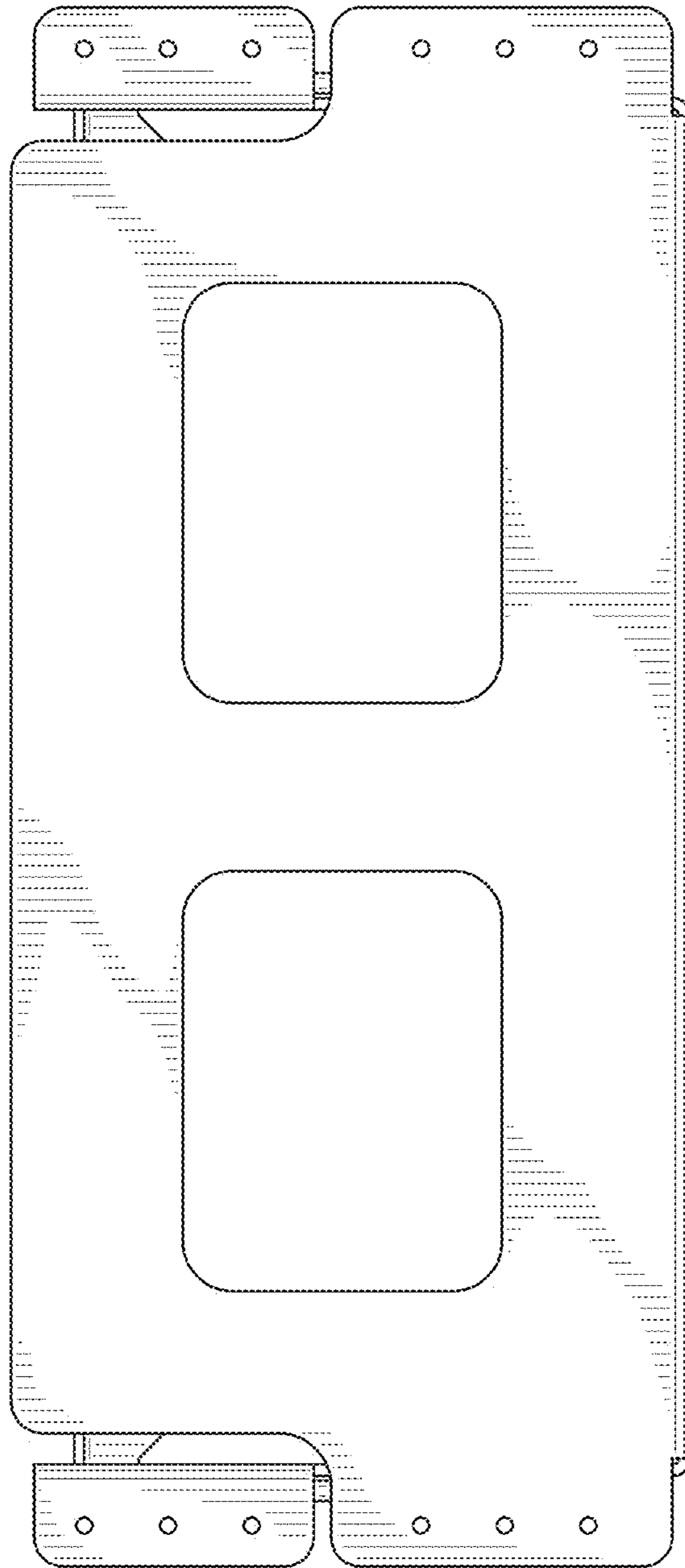


FIG. 7