



US00D746229S

(12) **United States Design Patent**  
**Yamamura et al.**

(10) **Patent No.:** **US D746,229 S**

(45) **Date of Patent:** **\*\* Dec. 29, 2015**

(54) **ENGINE GENERATOR**

(71) Applicants: **Takashi Yamamura**, Shizuoka-ken (JP);  
**Etsuo Yamashita**, Shizuoka-ken (JP)

(72) Inventors: **Takashi Yamamura**, Shizuoka-ken (JP);  
**Etsuo Yamashita**, Shizuoka-ken (JP)

(73) Assignee: **YAMAHA MOTOR POWER PRODUCTS KABUSHIKI KAISHA**  
(JP)

(\*\*) Term: **14 Years**

(21) Appl. No.: **29/471,373**

(22) Filed: **Oct. 31, 2013**

(51) **LOC (10) Cl.** ..... **13-01**

(52) **U.S. Cl.**  
USPC ..... **D13/116**

(58) **Field of Classification Search**  
USPC ..... D13/112, 113, 114, 116, 122, 184, 199;  
D6/329, 462; D15/33; 290/1 A, 1 B, 1 R;  
310/50, 89, 158, 418; 322/1, 2 R, 10,  
322/14, 16, 40, 42, 87

CPC ..... F02B 2063/045; F02B 2063/046;  
F02B 63/04; F02B 63/048

See application file for complete search history.

(56) **References Cited**

**U.S. PATENT DOCUMENTS**

D278,425	S	*	4/1985	Toshihiko	.....	D13/116
D293,904	S	*	1/1988	Murakami et al.	.....	D13/116
5,965,949	A	*	10/1999	Fukuda et al.	.....	290/1 A
6,525,430	B1	*	2/2003	Asai et al.	.....	290/1 A
D472,519	S	*	4/2003	Buck	.....	D13/114
D486,447	S	*	2/2004	Fan	.....	D13/114
D489,327	S	*	5/2004	Imai	.....	D13/116

D501,182	S	*	1/2005	Buck	.....	D13/110
7,053,497	B2	*	5/2006	Sodemann et al.	.....	290/1 A
D573,092	S	*	7/2008	Hamm et al.	.....	D13/116
D597,944	S	*	8/2009	Takamura	.....	D13/116
D617,269	S	*	6/2010	van Deursen	.....	D13/116
D676,383	S	*	2/2013	Awata	.....	D13/116
2007/0176426	A1	*	8/2007	Hirose et al.	.....	290/1 A
2010/0060015	A1	*	3/2010	Buker	.....	290/1 R
2011/0095540	A1	*	4/2011	Jackson et al.	.....	290/1 A
2012/0038171	A1	*	2/2012	Lim et al.	.....	290/1 A
2013/0099088	A1	*	4/2013	Takahashi et al.	.....	248/639

\* cited by examiner

*Primary Examiner* — Derrick Holland

*Assistant Examiner* — Jennifer O King

(74) *Attorney, Agent, or Firm* — Ostrolenk Faber LLP

(57) **CLAIM**

The ornamental design for an engine generator, as shown and described.

**DESCRIPTION**

FIG. 1 is a top, left side, and front, perspective view of an engine generator showing our new design;

FIG. 2 is a top, right side, rear, perspective view thereof;

FIG. 3 is a front view thereof;

FIG. 4 is a rear view thereof;

FIG. 5 is a left side view thereof;

FIG. 6 is a right side view thereof;

FIG. 7 is a top view thereof;

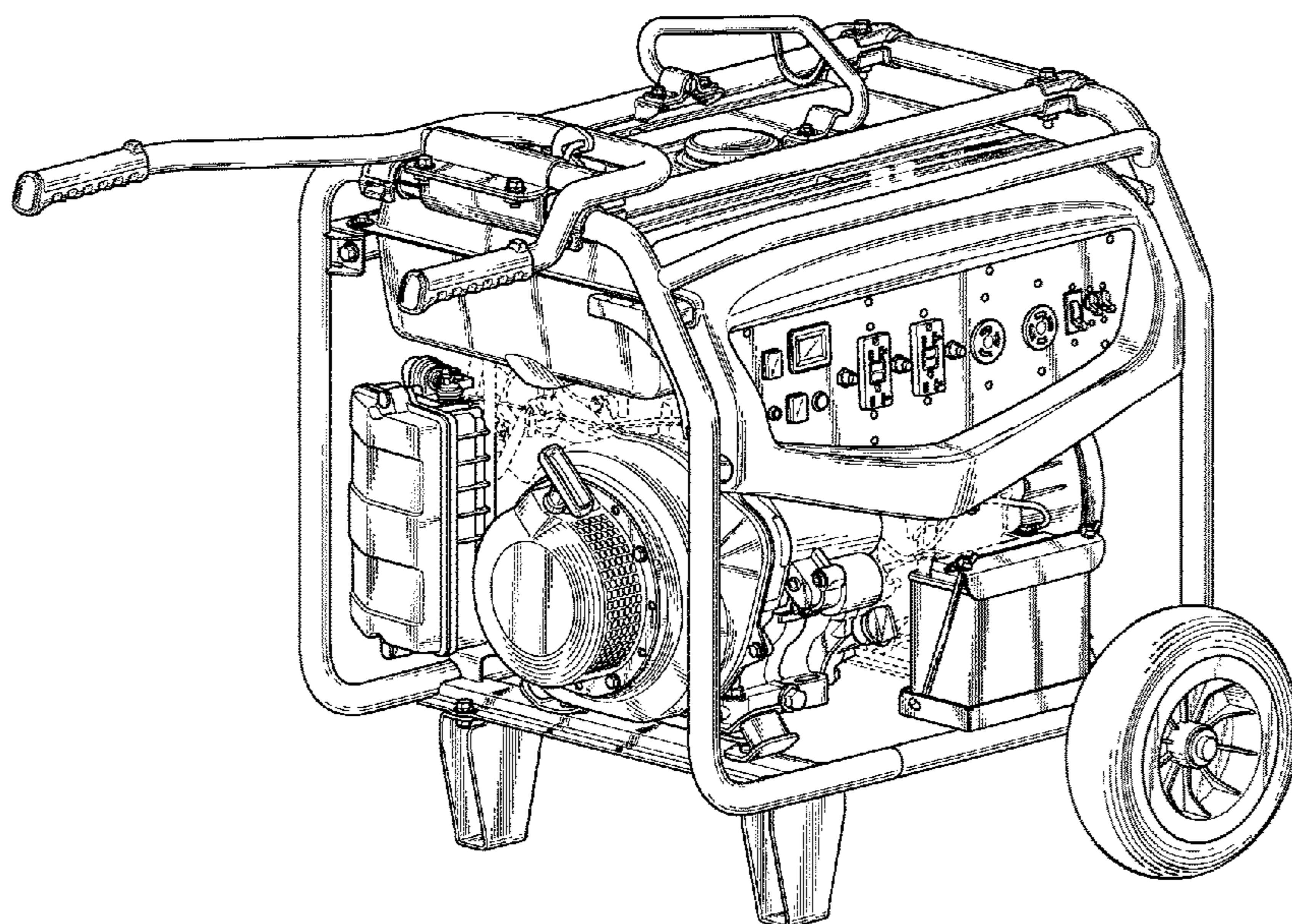
FIG. 8 is a bottom view thereof;

FIG. 9 is a top, left side, front, perspective view showing the folded state of the handle; and,

FIG. 10 is a top, right side, rear, perspective view showing the folded state of the handle.

The broken lines shown represent unclaimed subject matter and form no part of the claimed design.

**1 Claim, 10 Drawing Sheets**



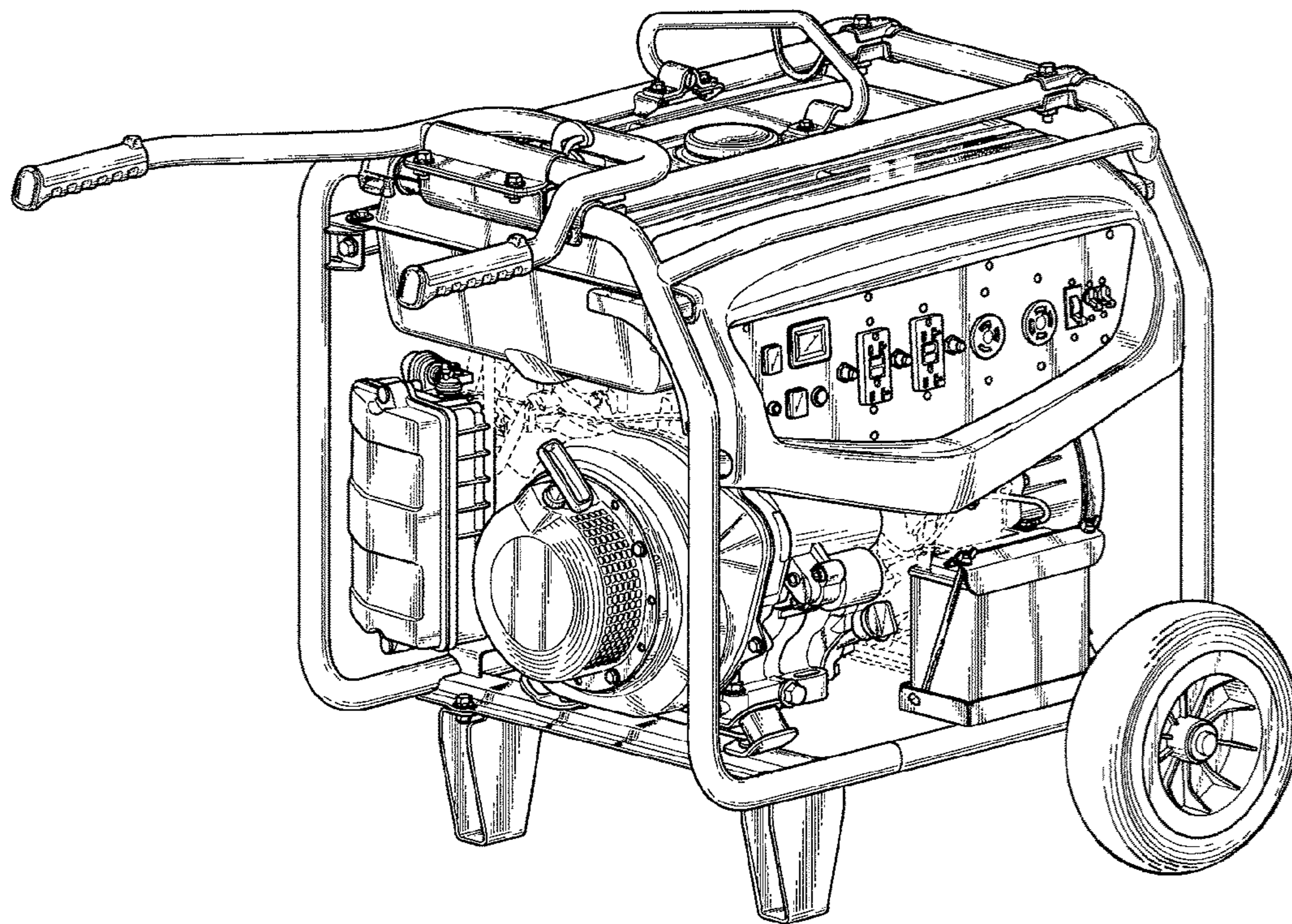


FIG. 1

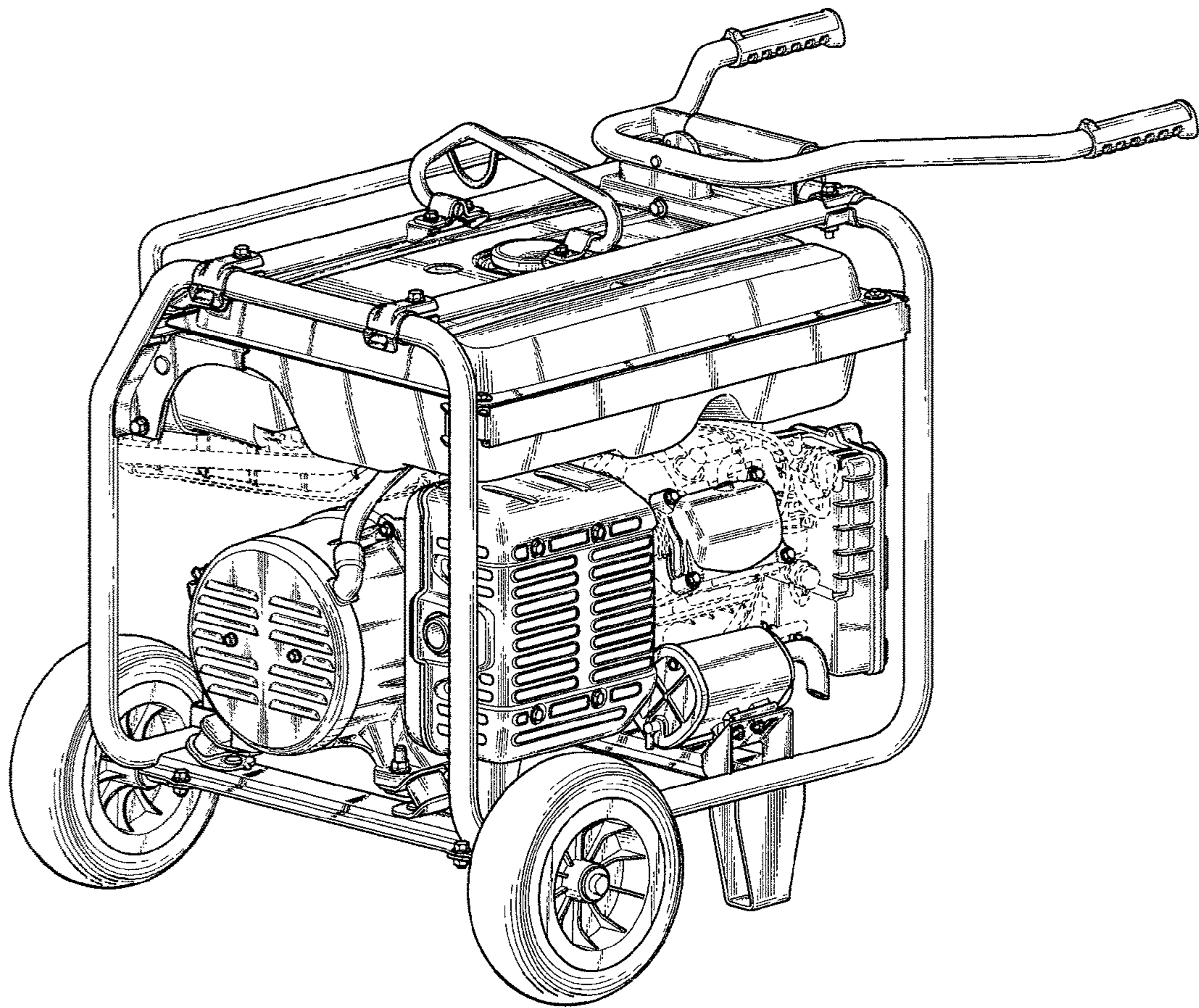


FIG. 2

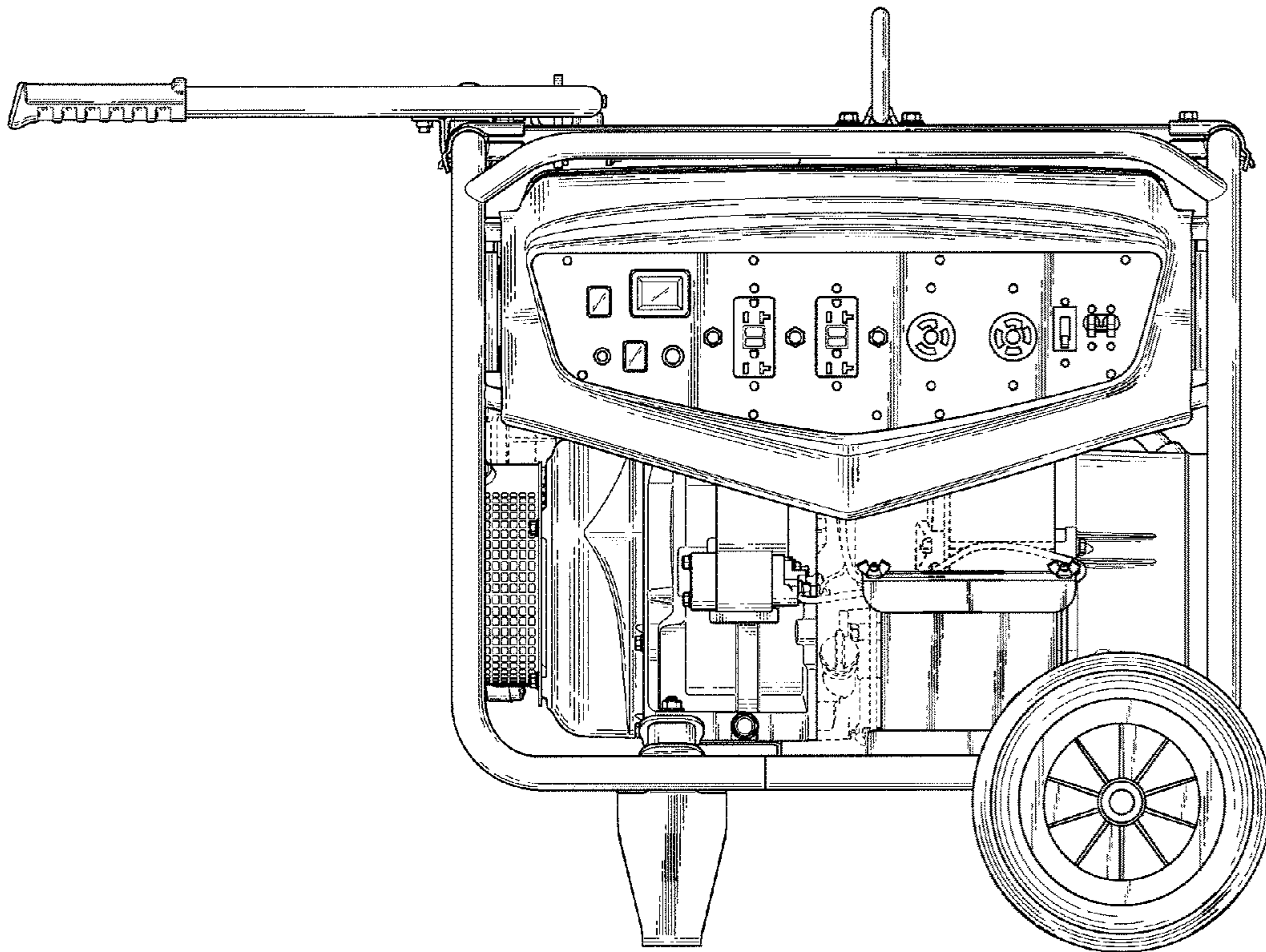


FIG. 3

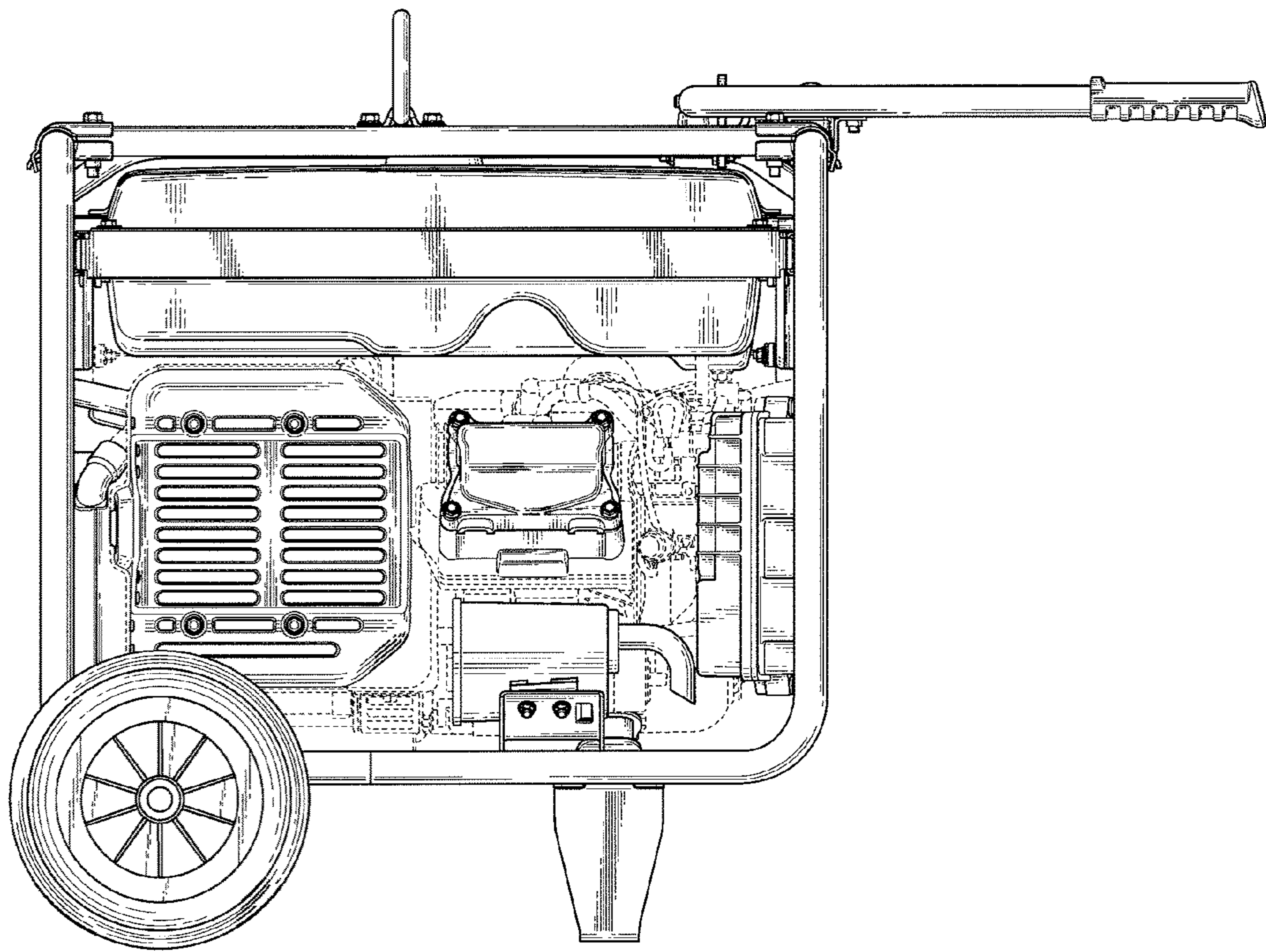


FIG. 4

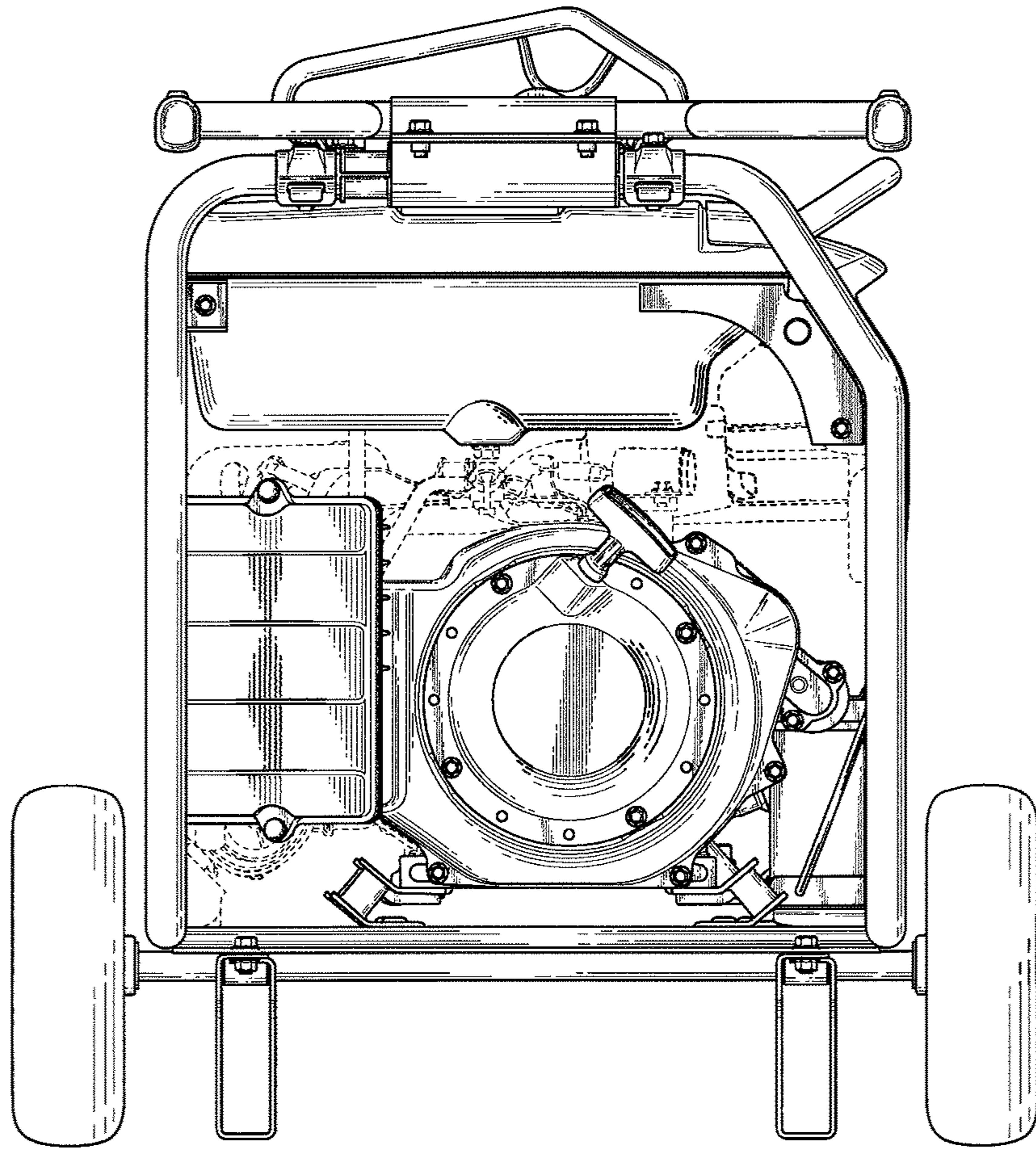


FIG. 5

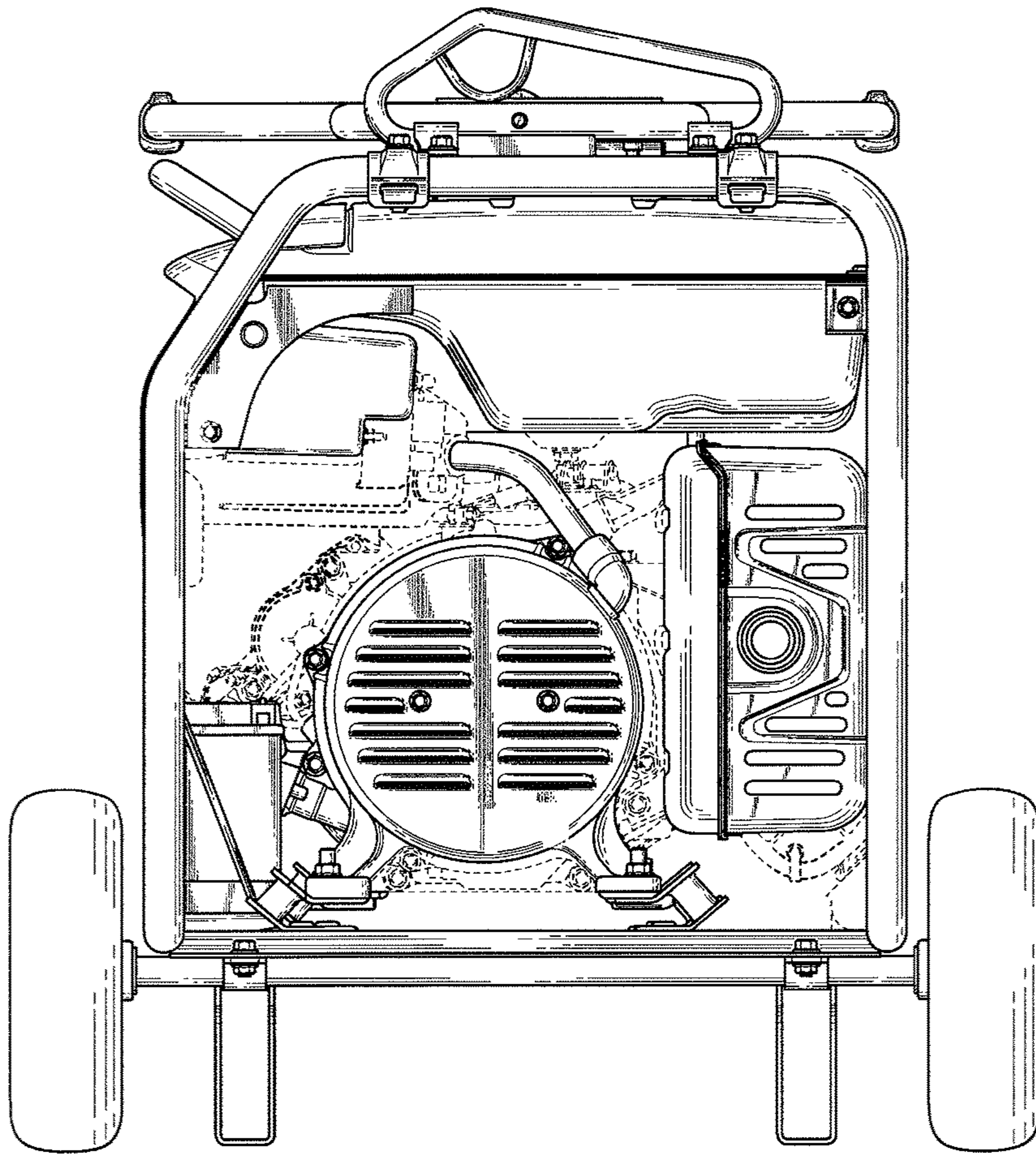


FIG. 6

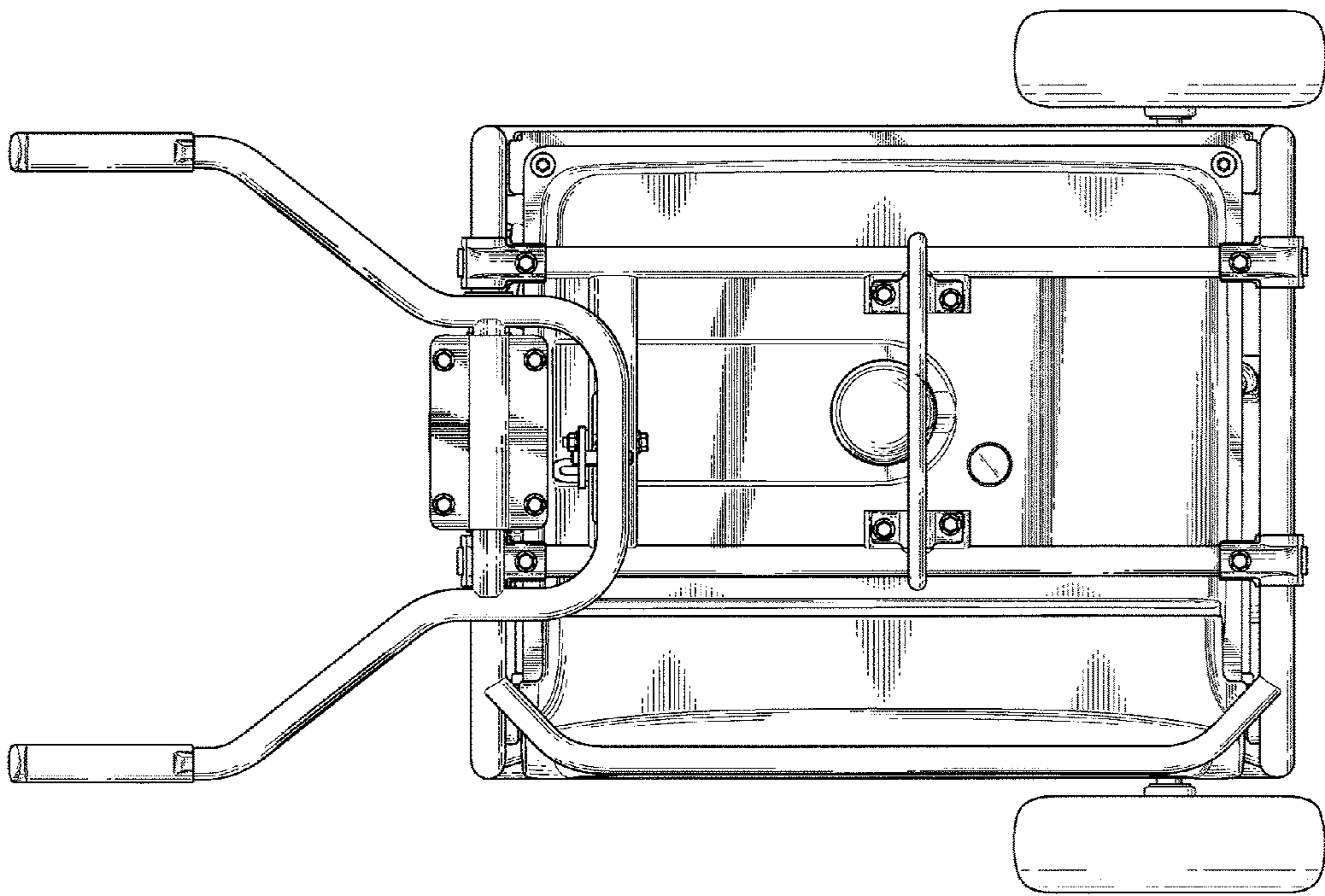


FIG. 7



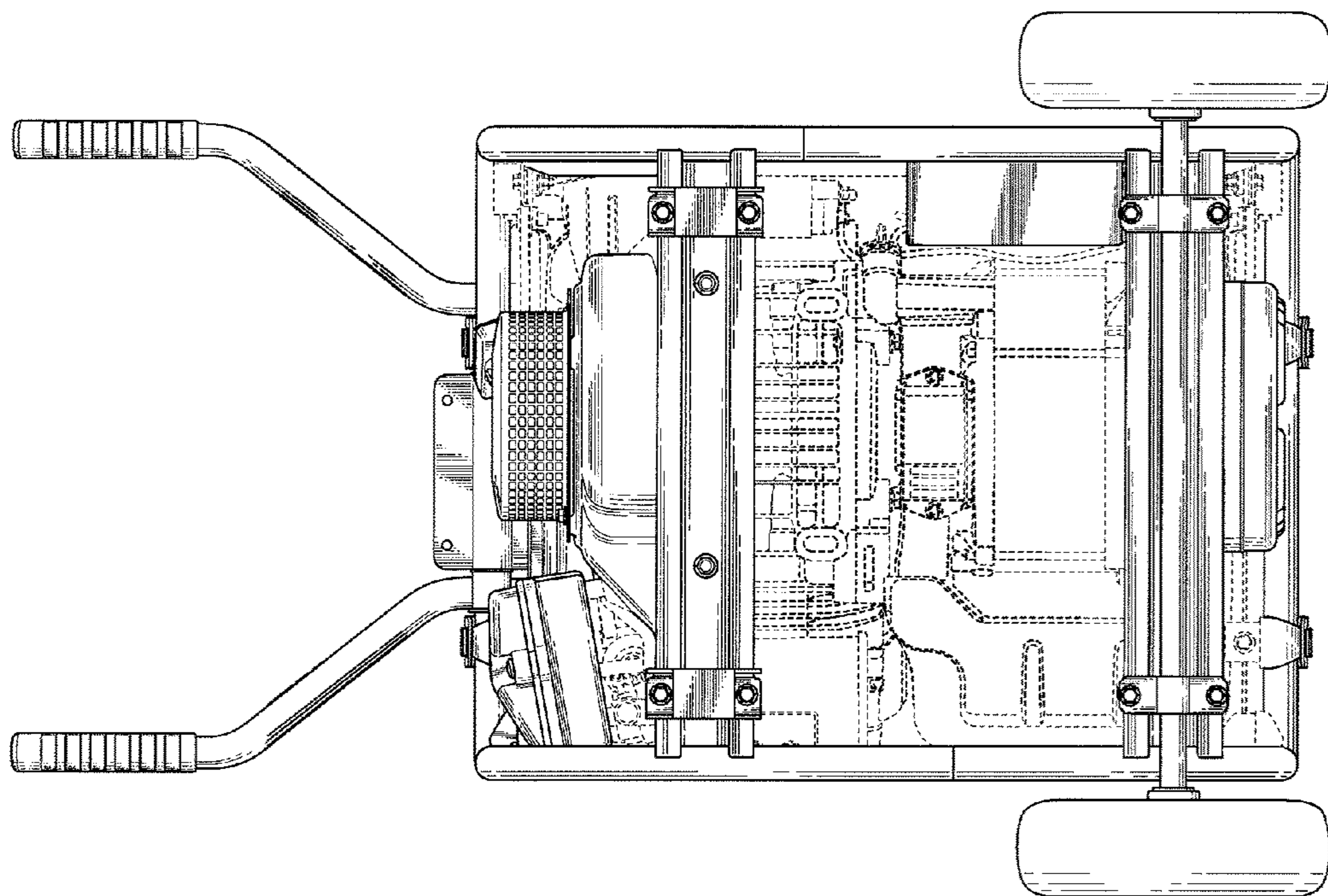


FIG. 8

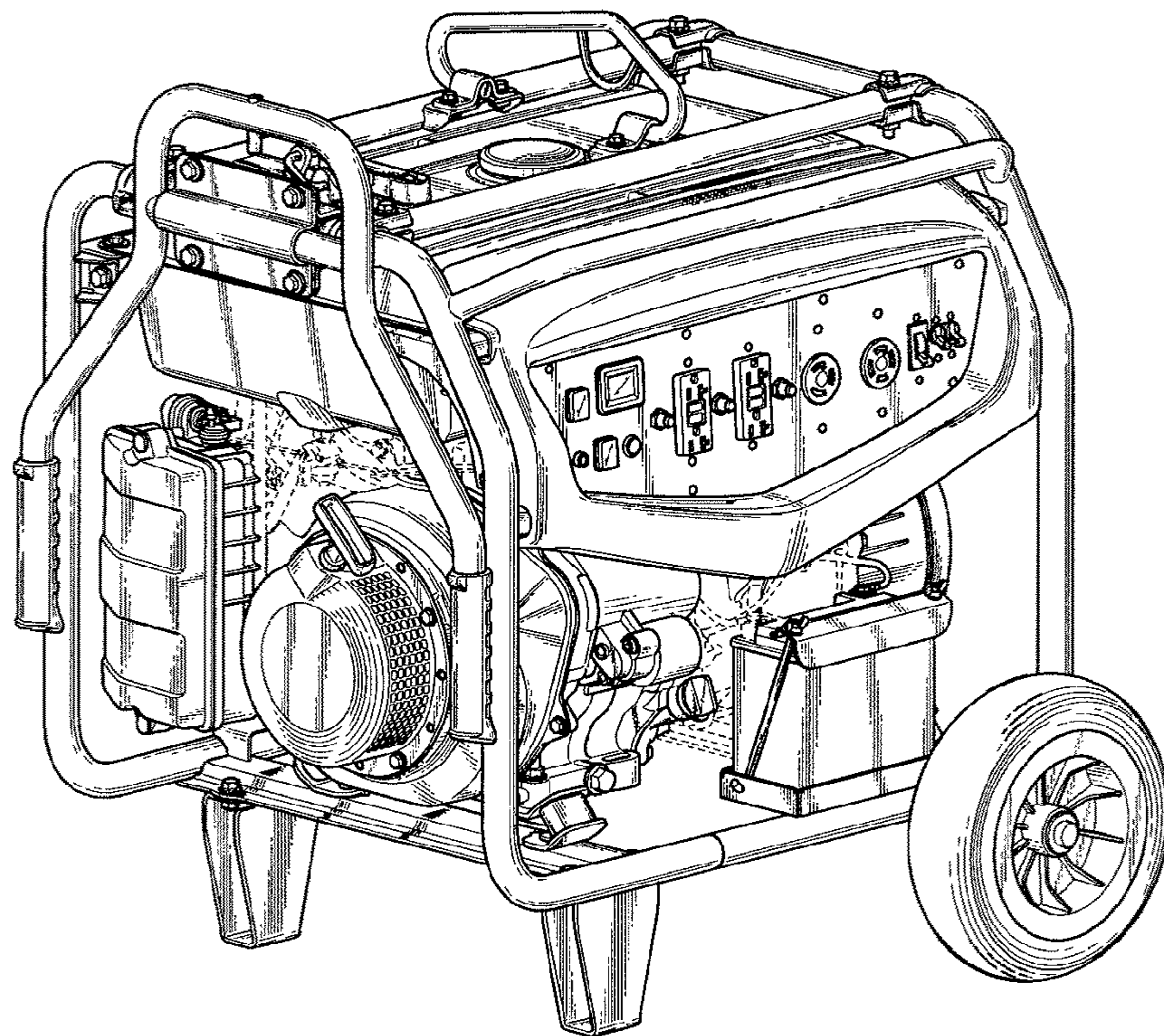


FIG. 9

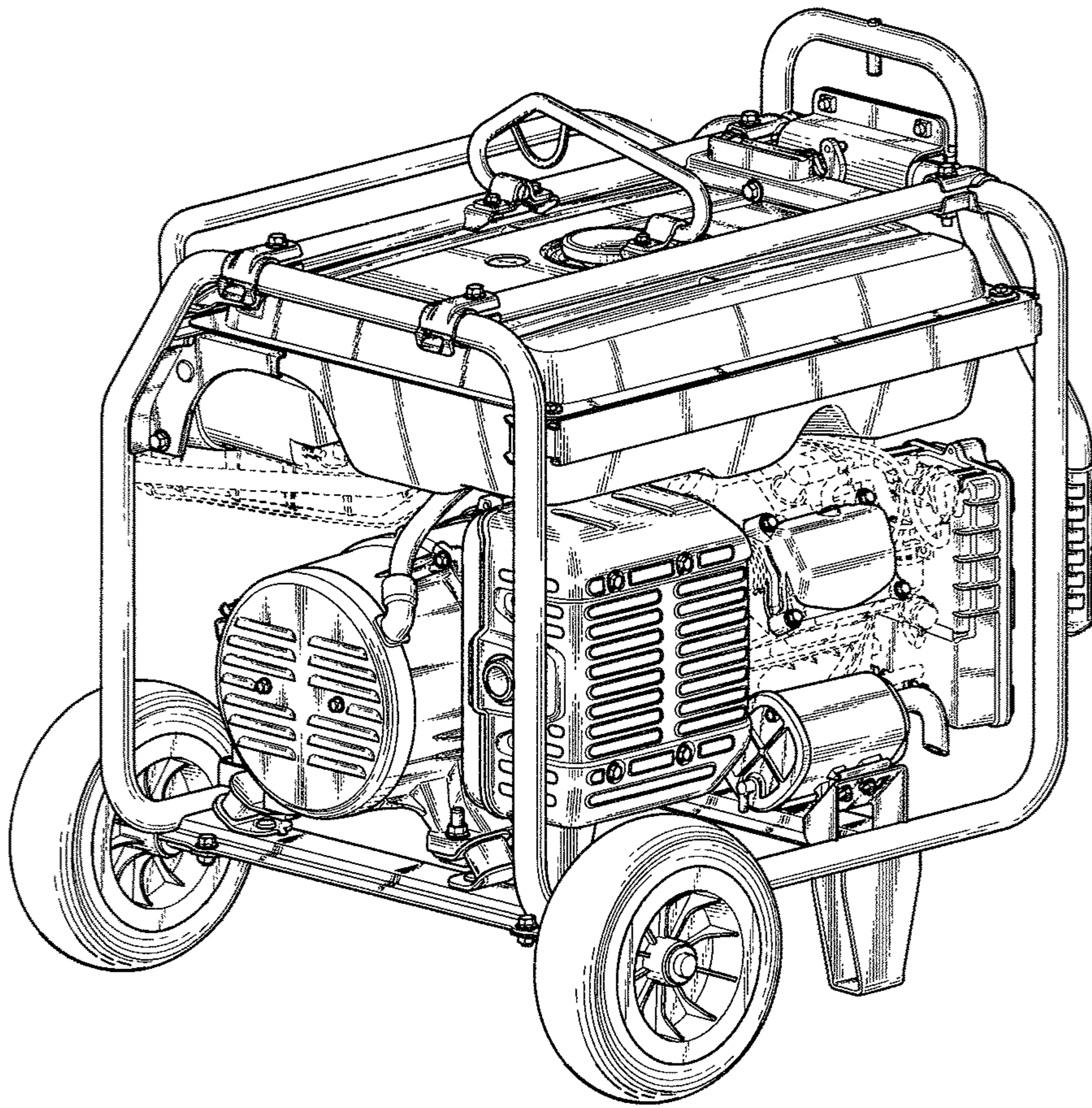


FIG. 10