



US00D746228S

(12) **United States Design Patent**
Medley

(10) **Patent No.:** **US D746,228 S**

(45) **Date of Patent:** **** Dec. 29, 2015**

(54) **PLUG WITH A DIGITAL READOUT**

(71) Applicant: **Prime Wire & Cable, Inc.**, La Jolla, CA (US)

(72) Inventor: **Mark Medley**, Covina, CA (US)

(73) Assignee: **PRIME WIRE & CABLE, INC.**, City of Industry, CA (US)

(**) Term: **14 Years**

(21) Appl. No.: **29/443,204**

(22) Filed: **Jan. 14, 2013**

(51) **LOC (10) Cl.** **13-02**

(52) **U.S. Cl.**
USPC **D13/110**

(58) **Field of Classification Search**
USPC D10/10, 15, 40, 46, 49, 50, 75, 96, 106, D10/125; D13/110, 123, 124, 133, 137.1, D13/137.2, 137.3, 138.1, 139.6, 139.8, 154, D13/155, 156, 158, 159, 160, 161, 162, D13/162.1, 163, 164, 165, 177, 178, 184, D13/199; 200/19.04, 19.15, 33 R, 295, 200/38 DA, 51 R; 323/323; 336/192, 200; 361/605, 647, 678, 679.1, 690; 315/276; 174/58; D14/441, 443; D16/237; D12/192

See application file for complete search history.

(56) **References Cited**

U.S. PATENT DOCUMENTS

D247,895 S * 5/1978 Gillette D13/137.3
D296,878 S * 7/1988 Rakocy D10/40
D315,893 S * 4/1991 Cheng D13/165
D352,667 S * 11/1994 Chen D10/40
D364,379 S * 11/1995 Pogue et al. D13/160

D382,251 S * 8/1997 Tsui D13/137.1
D391,177 S * 2/1998 Stekelenburg D10/40
D432,029 S * 10/2000 Stekelenburg D10/40
D449,543 S * 10/2001 Stekelenburg D10/40
D465,200 S * 11/2002 Duryea D13/137.3
D466,420 S * 12/2002 Chen D10/40
D513,999 S * 1/2006 Echito et al. D10/40
D515,031 S * 2/2006 Woolley et al. D13/137.2
D534,440 S * 1/2007 Stekelenburg D10/40
D534,441 S * 1/2007 Stekelenburg D10/40
D616,823 S * 6/2010 Shi D13/137.2
D619,535 S * 7/2010 Shi D13/137.2
D621,285 S * 8/2010 Stekelenburg D10/40
D646,590 S * 10/2011 Stekelenburg D10/40

* cited by examiner

Primary Examiner — Derrick Holland

Assistant Examiner — Jennifer O King

(74) *Attorney, Agent, or Firm* — Buche & Associates, P.C.; John K. Buche

(57) **CLAIM**

I claim the ornamental design for a plug with a digital readout, as shown and described.

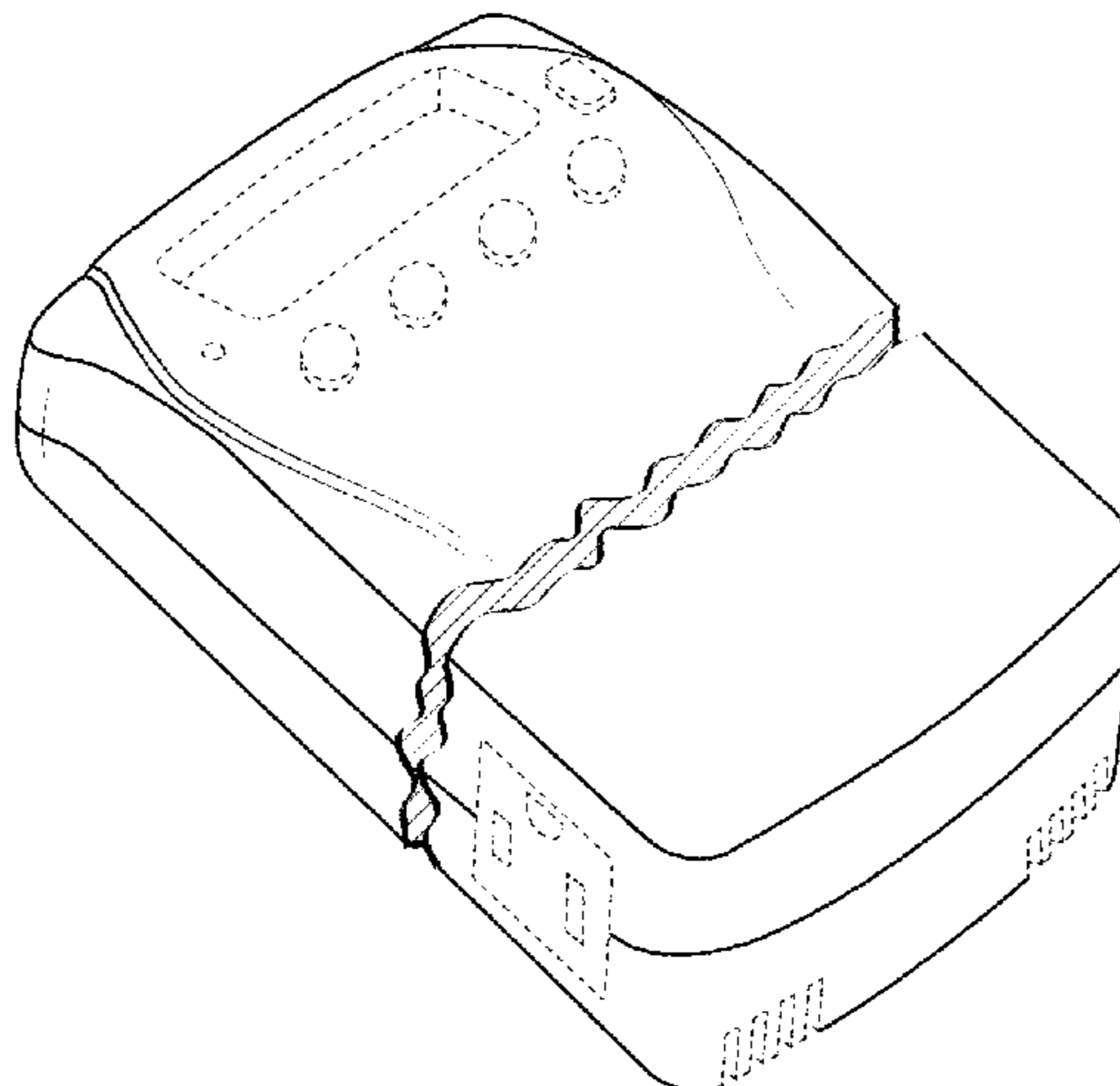
DESCRIPTION

FIG. 1 is a perspective view of a plug with a digital readout; FIG. 2 is a front view thereof; FIG. 3 is a back view thereof; FIG. 4 is a left-side view thereof; FIG. 5 is a right-side view thereof; FIG. 6 is a top view thereof; and, FIG. 7 is a bottom view thereof.

The broken lines shown represent unclaimed subject matter and form no part of the claimed design.

The unclaimed portion of plug with a digital readout has been shown broken in the middle to indicate indeterminate length.

1 Claim, 4 Drawing Sheets



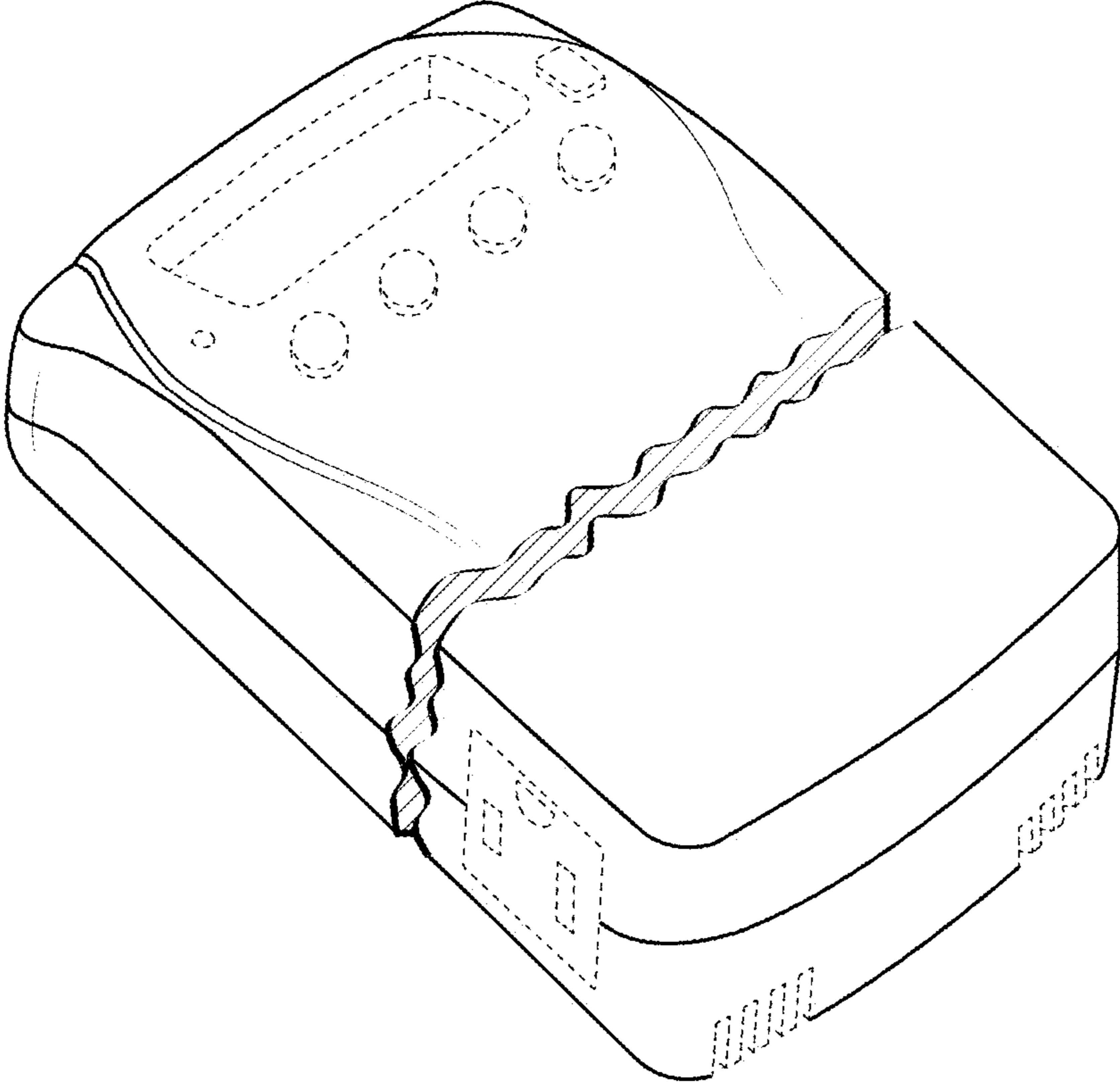


FIG. 1

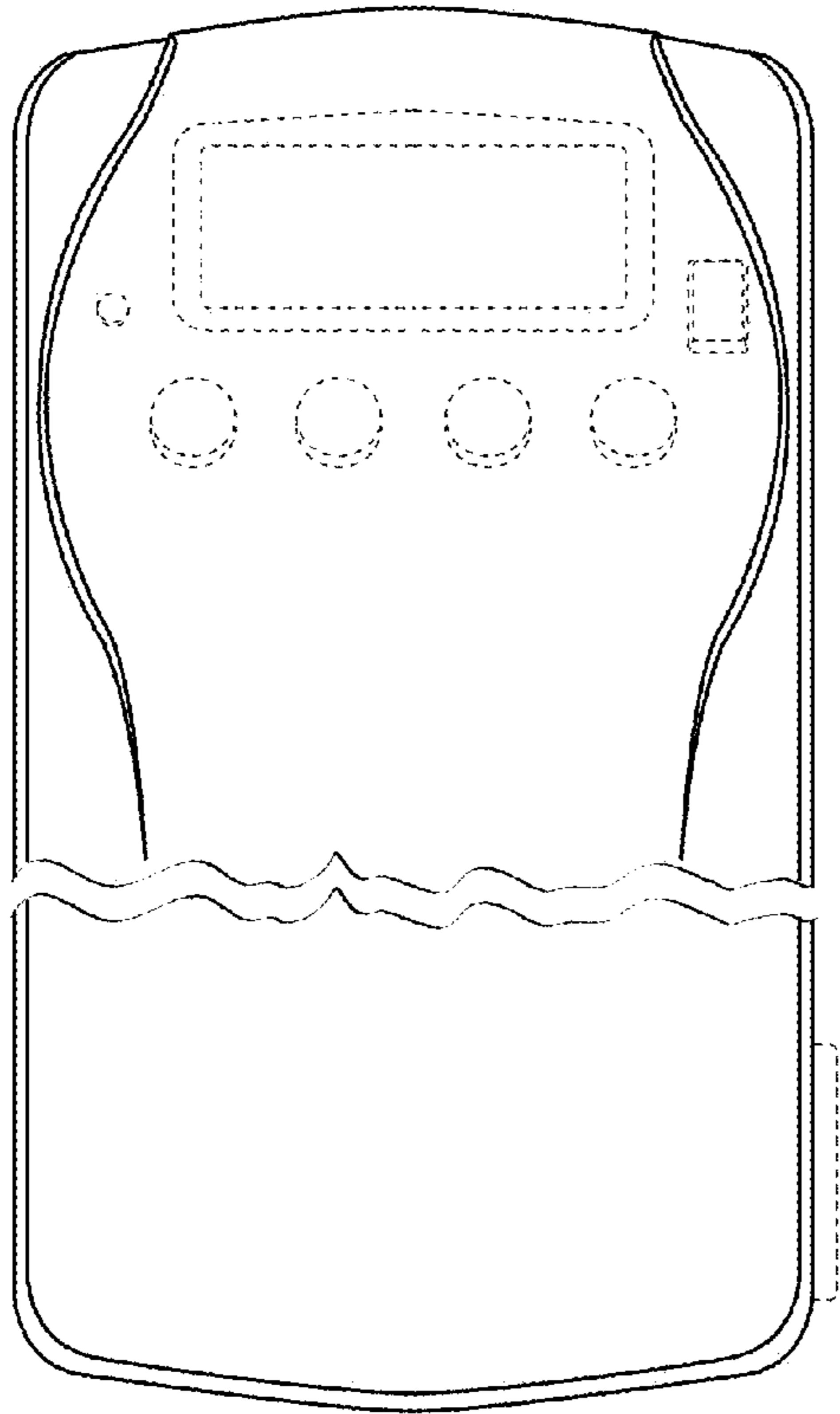


FIG. 2

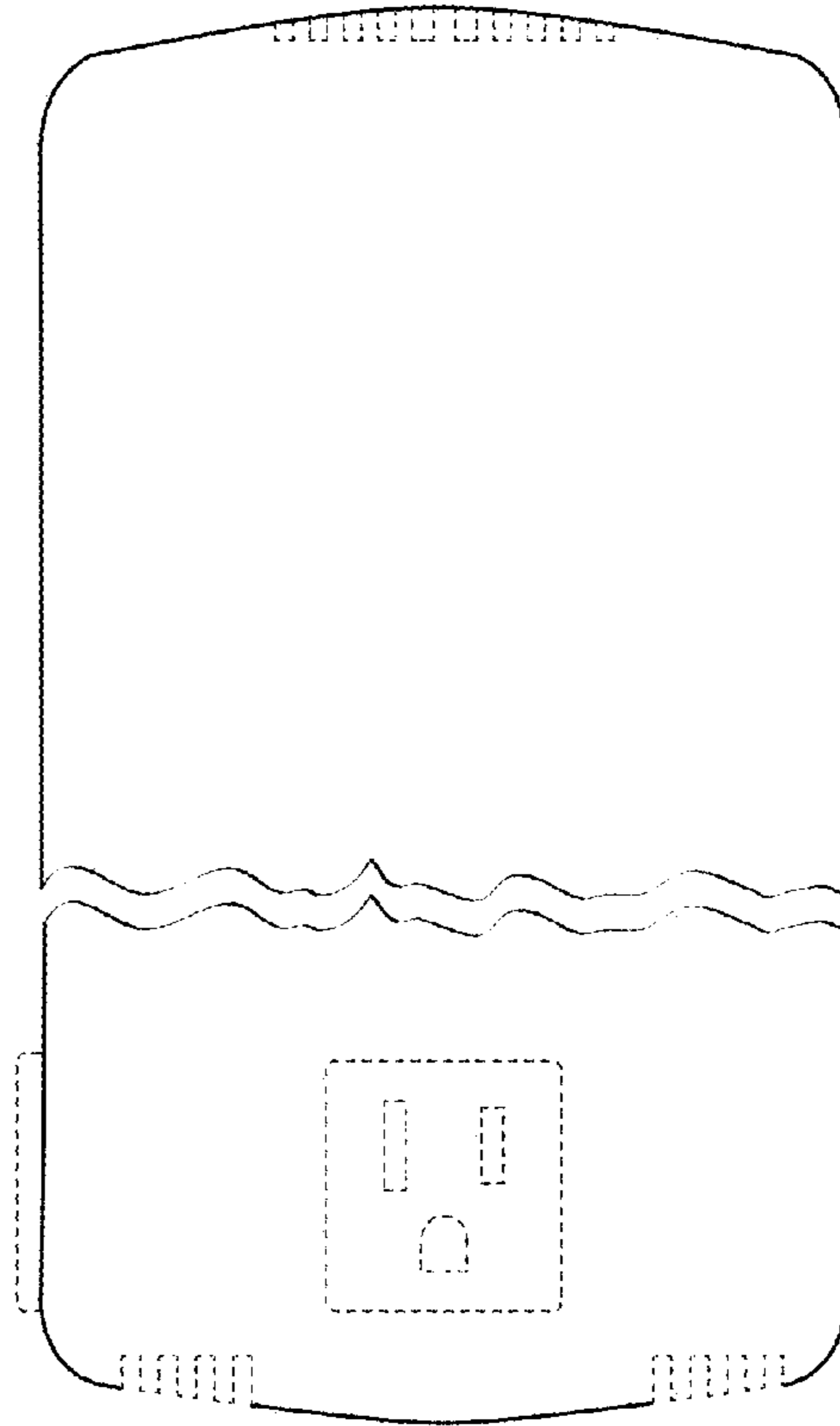


FIG. 3

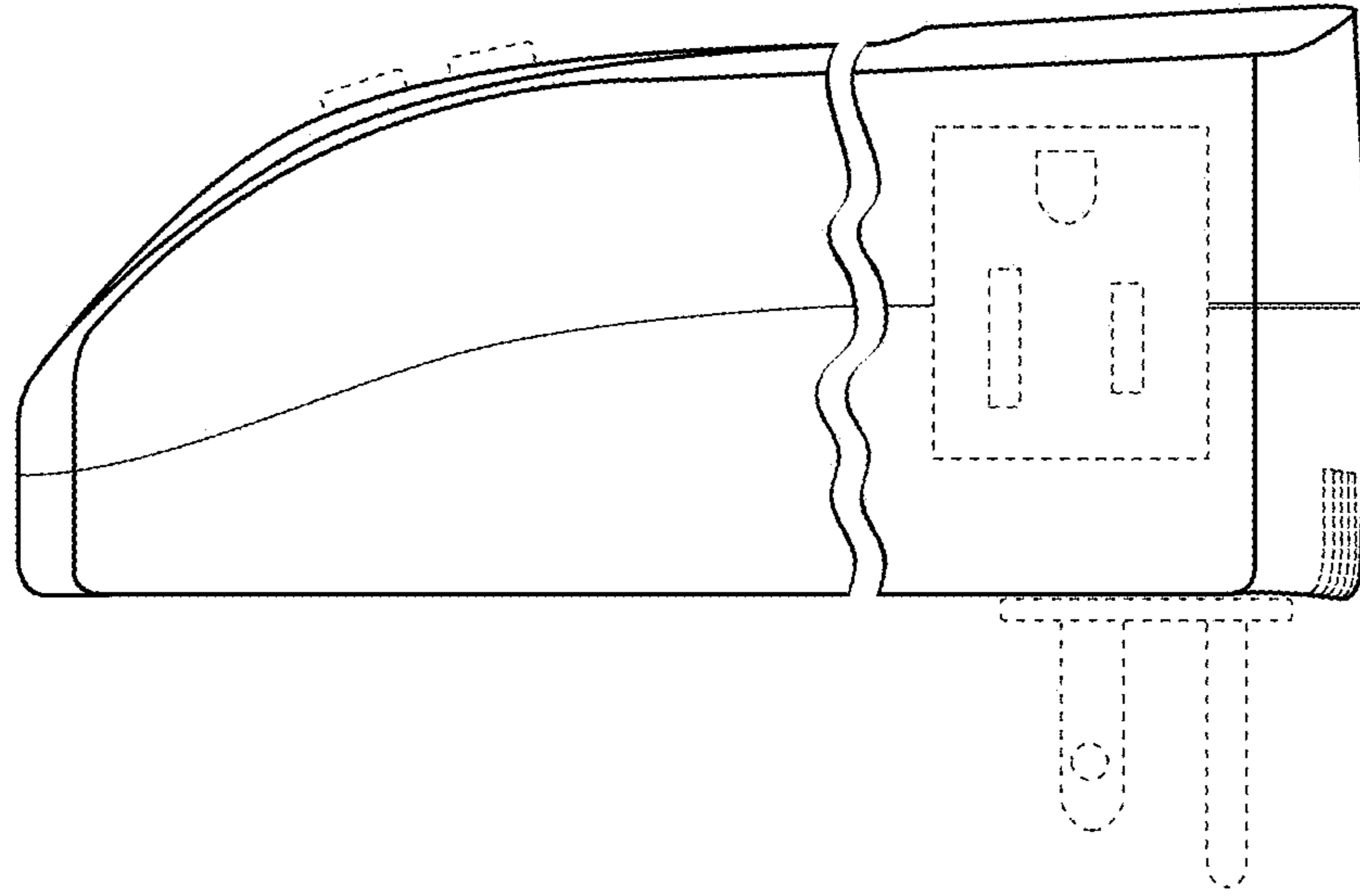


FIG. 4

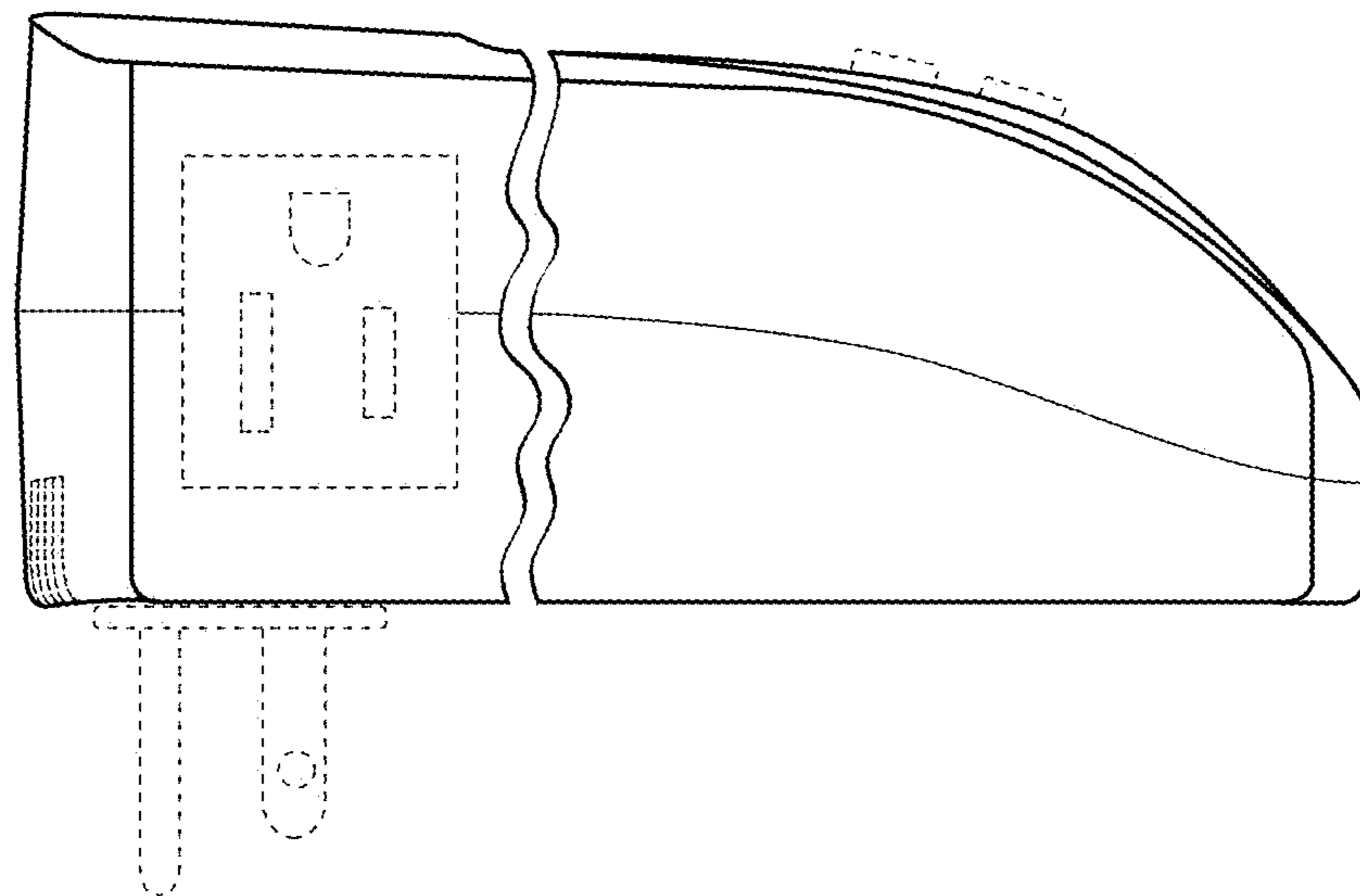


FIG. 5

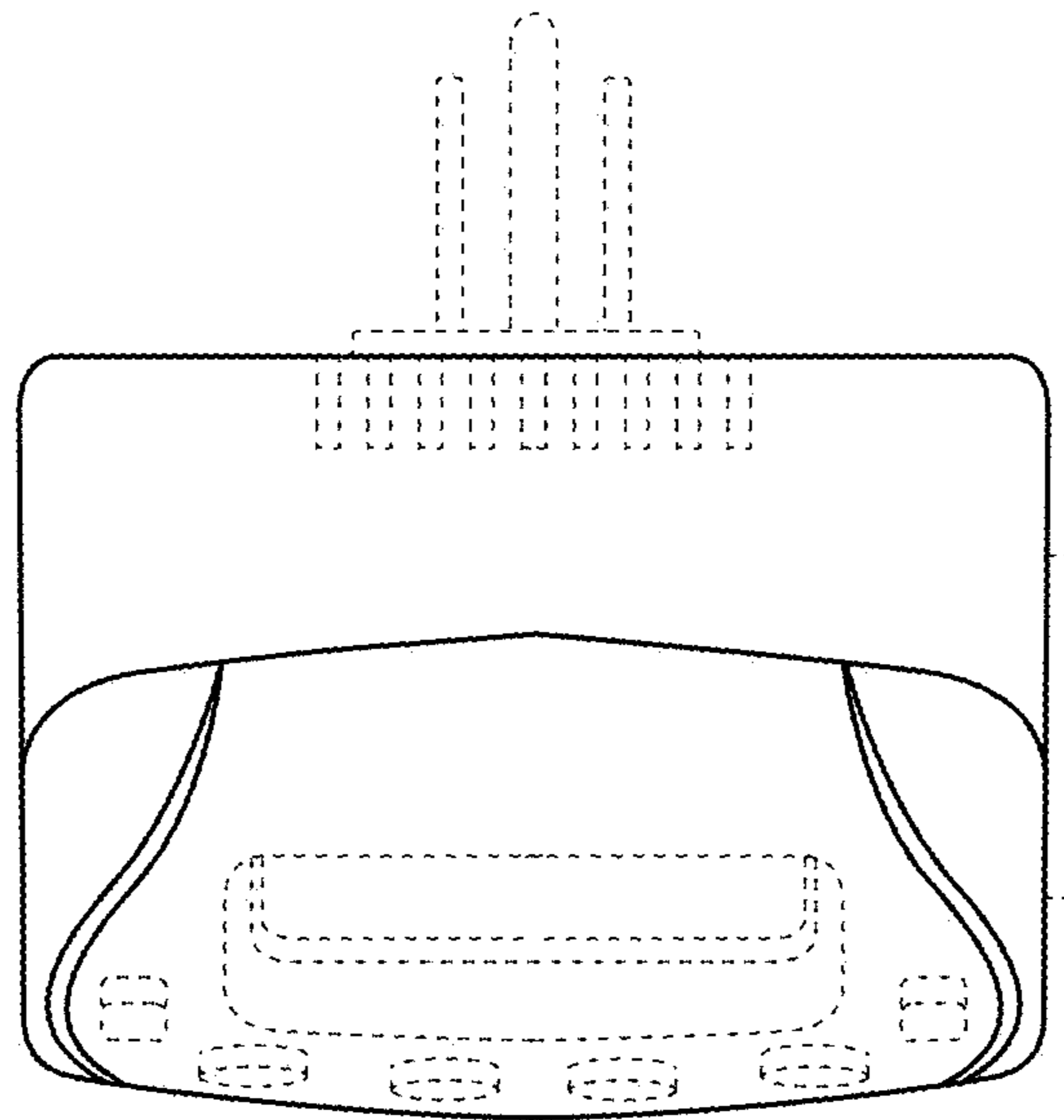


FIG. 6

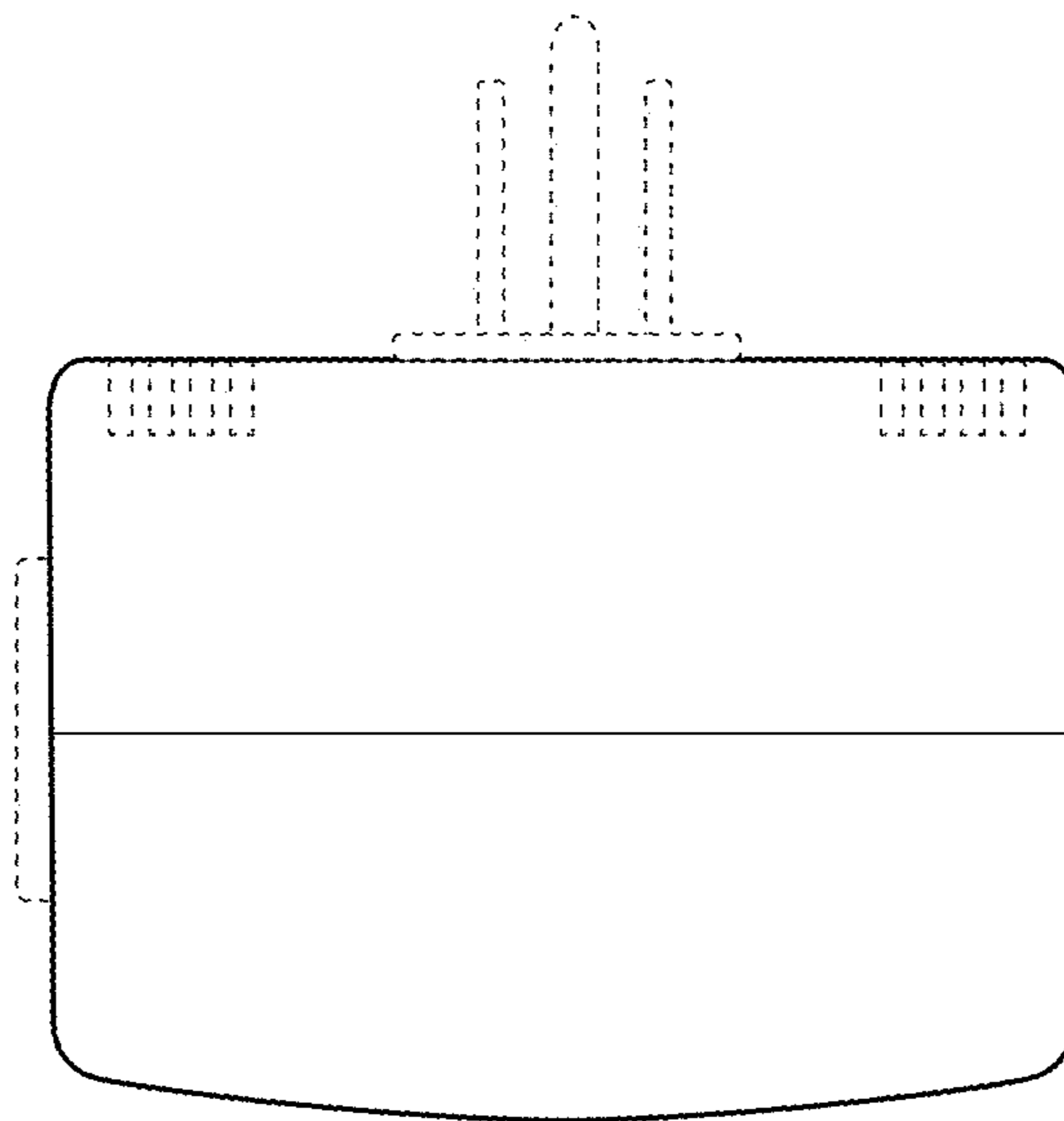


FIG. 7